

Exabyte Mammoth

---

# Installation and Operation

## Copyright

Copyright 1996–1999 by Exabyte Corporation. All rights reserved. This item and the information contained herein are the property of Exabyte Corporation. No part of this document may be reproduced, transmitted, transcribed, stored in a retrieval system, or translated into any language or computer language in any form or by any means, electronic, mechanical, magnetic, optical, chemical, manual, or otherwise, without the express written permission of Exabyte Corporation, 1685 38th Street, Boulder, Colorado 80301.

## Disclaimer

Exabyte Corporation makes no representation or warranties with respect to the contents of this document and specifically disclaims any implied warranties of merchantability or fitness for any particular purpose. Further, Exabyte Corporation reserves the right to revise this publication without obligation to notify any person or organization of such revisions or changes.

## Trademark notices

Exabyte, Exafacts, Exapak, Exasoft, and Exatape are registered trademarks of Exabyte Corporation. Arrowhead, Eliant, and SupportSuite are trademarks of Exabyte Corporation. All other product names are trademarks or registered trademarks of their respective owners.

## Revision history

Revision	Date	Description
000	March 1996	Initial release.
001	July 1996	Update for new LCD information.
002	January 1999	Update for LVD SCSI configuration.

**Note:** The most current information about this product is available at Exabyte's web site ([www.exabyte.com](http://www.exabyte.com)).

Exabyte Corporation  
1685 38th Street  
Boulder, Colorado 80301  
(303) 442-4333

306484-002

## **Safety agency standards**

When purchased from Exabyte, both the internal model and the tabletop model of the Exabyte® Mammoth Tape Drive comply with the following domestic and international product safety standards:

- UL Standard 1950, 1st Edition, Safety of Information Technology Equipment
- CSA Standard C22.2 No. 950-95, Safety of Information Technology Equipment
- IEC 950/EN60950: A4 1997, Safety of Information Technology Equipment including Electrical Business Equipment

The internal model of the tape drive is certified as a component only. Certification of the final integrated product is the responsibility of the system integrator.

## **Electro-magnetic compatibility (EMC)**

When properly installed in a shielded cabinet with shielded cables and adequate grounding of the SCSI bus and input power, the tape drive meets the requirements for emissions and immunity as defined by the following standards:

USA:	FCC, CFR 47, Ch. I, Part 15, Subpart B, Class B
Canada:	ICES-003, Class B
Australia:	AS/NZ 3548, Class B
Taiwan:	CNS-13438, Class A
Europe:	EN55022/CISPR 22, Class B EN50082-1: Residential, Commercial, and Light Industry

For the tabletop tape drive, the requirement for a shielded cabinet is met by the tabletop enclosure.

## **FCC notice**

When installed in an Exabyte enclosure, the tabletop model has been tested and found to comply with the limits for a Class B digital device pursuant to Part 15 of FCC rules.

These limits are designed to provide reasonable protection against harmful interference in a residential installation. This equipment generates, uses, and can radiate radio frequency energy and, if not installed and used in accordance with the instructions, may cause interference to radio and television communications. However, there is no guarantee that interference will not occur in a particular installation. If this equipment does cause interference to equipment off and on, the user is encouraged to try to correct the interference by one or more of the following measures:

- Reorient or relocate the receiving antenna.
- Increase the separation between the equipment and receiver.
- Connect the equipment into an outlet on a circuit different from that to which the receiver is connected.
- Use shielded cables.
- Consult the dealer or an experienced radio/TV technician for help.

According to FCC regulations, changes or modifications not expressly approved by Exabyte Corporation could void your authority to operate the equipment.

## **Industry Canada notice per ICES-003**

This Class B digital apparatus meets all requirements of the Canadian Interference-Causing Equipment Regulations.

Cet appareil numérique de la classe B respecte toutes les exigences du Règlement sur le matériel brouilleur du Canada.

# Contents

<b>Welcome</b> .....	<b>1</b>
<b>Available SCSI configurations</b> .....	<b>2</b>
<b>Installing the tape drive.</b> .....	<b>3</b>
Installing the internal model in an enclosure .....	3
Installing the tabletop model .....	13
<b>Operating the tape drive</b> .....	<b>18</b>
Monitoring the LEDs .....	19
Monitoring the LCD .....	21
Selecting appropriate data cartridges .....	24
Loading data cartridges .....	26
Unloading data cartridges .....	27
Resetting the tape drive .....	28
Cleaning the tape drive .....	28
Using Tape Alert .....	29
<b>Packing the tape drive</b> .....	<b>30</b>
<b>Appendix</b> .....	<b>31</b>
<b>Index</b> .....	<b>35</b>

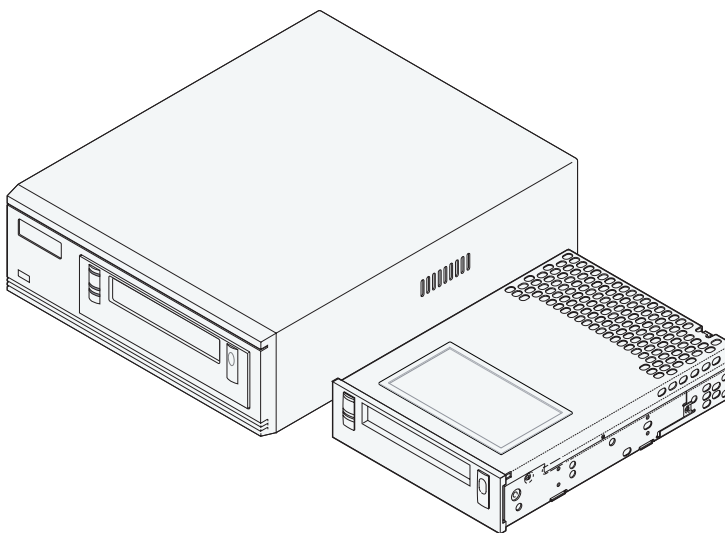
# Notes

# Welcome

Congratulations on selecting the Exabyte® Mammoth Tape Drive. Your new tape drive is designed for multimedia, imaging, transaction processing, large databases, and other storage-intensive applications.

The Mammoth tape drive provides storage capacities of up to 20 gigabytes (GB) native on a single 170m data cartridge.

The Mammoth tape drive is available as an internal model that can be installed into an enclosure (shown on the right) or as a tabletop model housed in its own enclosure (shown on the left).



## Available SCSI configurations

The Mammoth tape drive is available in the following fast SCSI-2 configurations:

- Narrow, single-ended
- Wide, single-ended
- Wide, high-voltage differential (HVD)
- Wide, low-voltage differential (LVD)

The LVD tape drive uses an LVD interface that is Ultra and Ultra2 SCSI compatible. The LVD interface allows the tape drive to be placed on the same bus as Ultra and Ultra2 SCSI devices without slowing the performance of these devices.



# Installing the tape drive

If you have the internal model of the tape drive, follow the instructions below. If you have the tabletop model, follow the instructions beginning on [page 13](#).

## Installing the internal model in an enclosure

### ESD protection

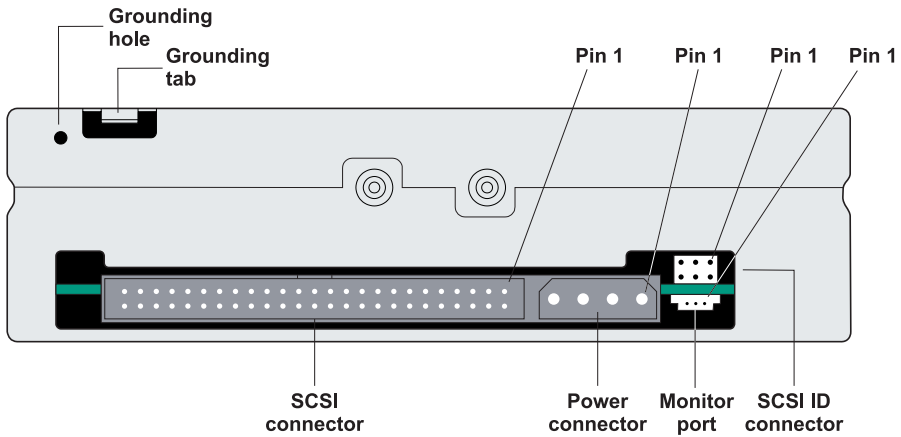
Protect the tape drive from electrostatic discharge (ESD) by following these precautions:

- Use an antistatic mat and wristband, if possible.
- Leave the tape drive in its packaging until you are ready to install it.
- Touch a known grounded surface before handling the tape drive.
- Do not place the tape drive on a metallic surface.

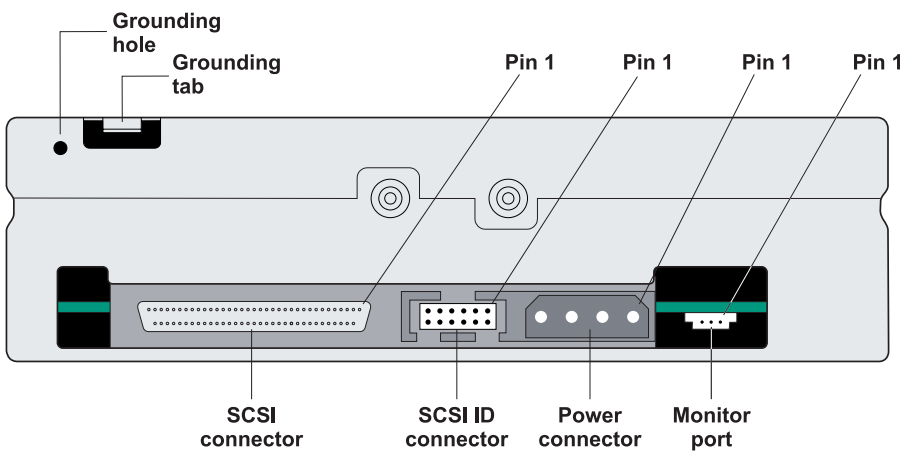
## Location of components

When installing the tape drive, refer to the following figures for the location of back-panel components.

### Narrow SCSI configuration:



### Wide SCSI configuration:

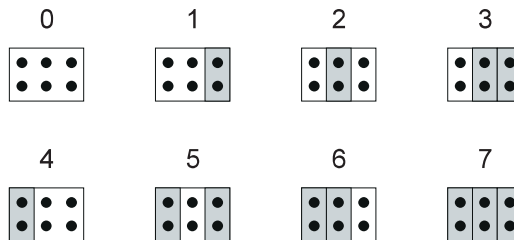


## Step 1 – Set the SCSI ID

To set the SCSI ID, remove and reposition the jumpers to obtain the desired ID. (If necessary, use a pair of flat-nose pliers to remove the jumpers.)

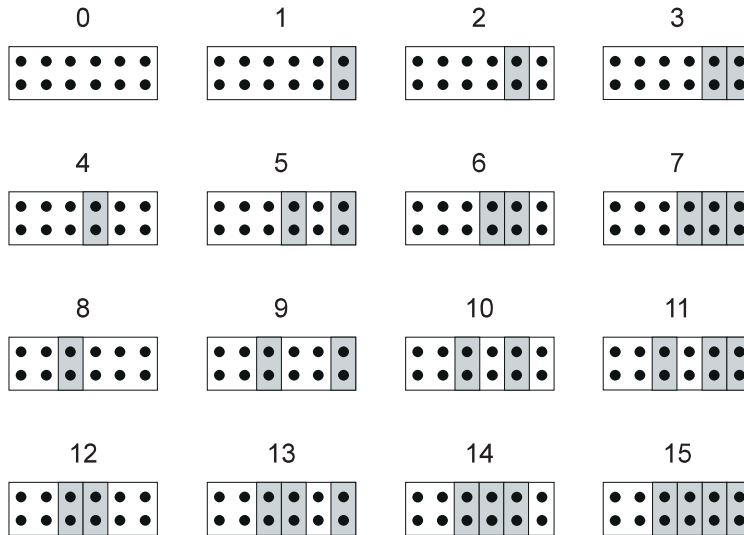
The following figures show how to position the jumpers for narrow and wide SCSI configurations.

### Narrow SCSI configuration (SCSI IDs 0–7):



If you need additional jumpers, use 0.1-inch jumpers for narrow SCSI (AMP part number 531220-2).

### Wide SCSI configuration (SCSI IDs 0–15):



If you need additional jumpers, use 2 mm mini jumpers for wide SCSI (AMP part number 382575-2).

**Note:** You can also set the SCSI ID by removing the jumpers and connecting your own remote switch.

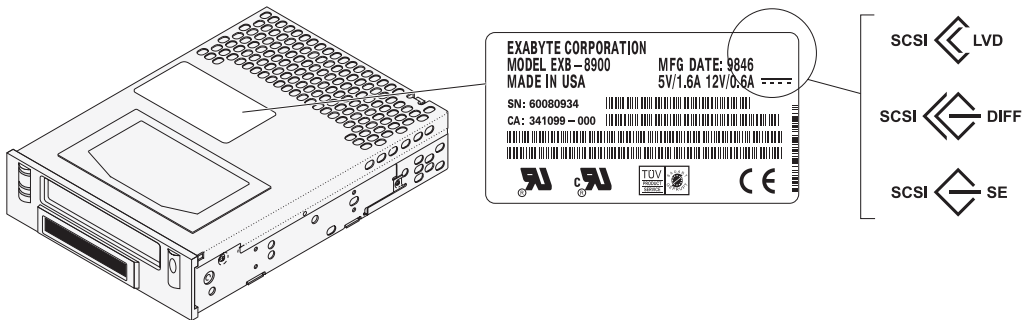
### Step 2 – Connect the drive to the SCSI bus

Before connecting the tape drive to the SCSI bus, be aware of the following:

- You can connect single-ended and LVD SCSI tape drives to the same SCSI bus. Be aware that mixing the two types of devices will result in all devices on the bus operating as single-ended devices.

- Do not connect a single-ended wide or LVD tape drive to an HVD wide SCSI bus or your SCSI bus may hang.
- The LVD tape drive uses an LVD interface that is Ultra and Ultra2 SCSI compatible. The LVD interface allows the tape drive to be placed on the same bus as Ultra and Ultra2 SCSI devices without slowing the performance of these devices.

The product ID label, shown below, displays the SCSI configuration: LVD, DIFF (HVD), or SE.



To connect the tape drive to the SCSI bus:

1. Connect an internal SCSI cable to the tape drive's SCSI connector and to the next SCSI device in the enclosure (for example, a SCSI adapter card).

### CAUTION

Connecting a single-ended wide or LVD tape drive to an HVD wide SCSI bus may cause your SCSI bus to hang.

2. If the tape drive is the last device on the SCSI bus, you must terminate the bus by installing a pass-through terminator on the tape drive's SCSI connector. Or, if there is an unused connector at the end of the SCSI cable, you can terminate the bus there.

Use one of the terminator types listed in the following table.

---

➤ **Important** Exabyte recommends using active termination. Exabyte testing has shown that older passive termination does not provide rising edge transitions that are fast or clean enough at fast SCSI speeds.

---

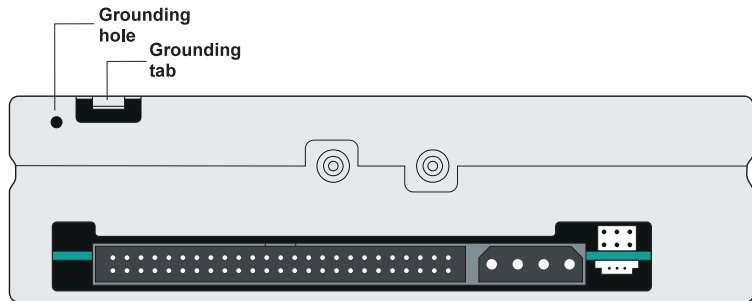
	Narrow SCSI configuration	Wide SCSI configuration
Single-ended*	AMP 750381-1	AMP 859516-1
HVD*	N/A	AMP 869515-1
LVD*	N/A	AMP 796051-1

\* Terminators for single-ended, HVD, and LVD buses are not identical. Do not mix the variants.

### Step 3 – Connect ground

To protect the tape drive from electrostatic discharge (ESD), you must attach the tape drive to the enclosure's metal chassis (using the mounting holes shown on [page 11](#)). If you need additional chassis grounding, use *either* of the following methods:

- Connect a 1/4-inch female spade connector to the ground tab (shown below).
- Connect an M3 × 0.5 × 6 mm self-tapping screw to the grounding hole (shown below).



**Note:** The power supply returns are connected to the chassis, so you cannot isolate the logic common ground from the chassis ground.

## Step 4 – Connect power

### CAUTION

Do not force the power cable into the tape drive's power connector. If the power cable is upside down and you force the connection, you may damage the drive when you power it on.

To connect power to the tape drive:

1. Connect the enclosure's internal power cable to the tape drive's power connector. (Use an AMP 1-480424-0 series or equivalent female power connector.)
2. Power on the enclosure.

The tape drive performs its power-on self-test in about 30 seconds. When the tape drive is ready to accept a cartridge, the LEDs turn off.

---

➤ **Important** Do not insert a cartridge into the tape drive during the power-on self-test. The tape drive will eject the cartridge.

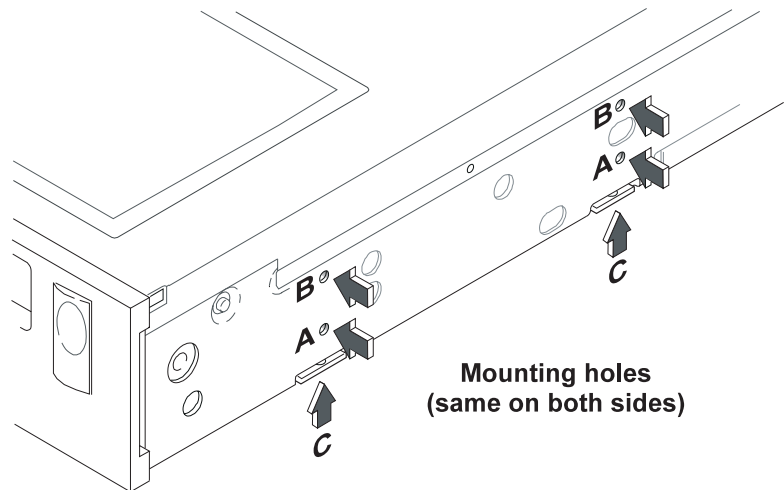
---



## Step 5 – Mount the tape drive

The single-ended and HVD internal tape drives meet industry-standard, 5.25-inch half-high form factor mounting requirements. The LVD internal tape drive is approximately 0.36 inches (9.2 mm) longer than the standard form factor. The tape drive can be mounted either horizontally or vertically and in a stationary or sliding position.

As shown in the following figure, the main housing of the tape drive includes three sets of four mounting holes to allow for a number of mounting positions (two sets on the sides, set A and set B, and one set on the bottom, set C).



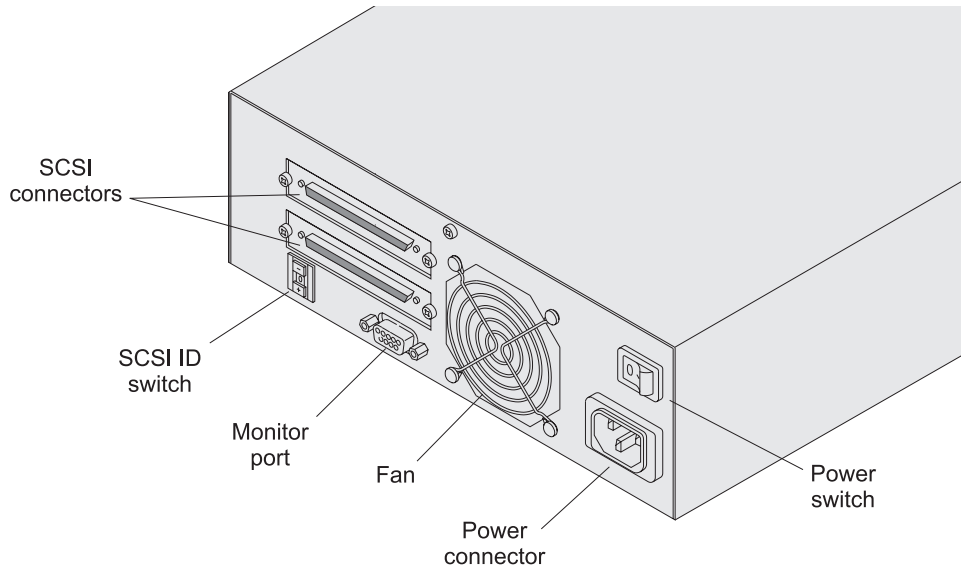
When mounting the tape drive, follow these guidelines:

- Use *one* set of mounting holes. (Use all four holes in whichever set you choose; do not use combinations of mounting holes from different sets.)
- Use M3 × 0.5 × 6 mm screws. **For proper mounting, use the correct screw length.**
- Ensure that no objects such as screw heads, cables, or adjacent devices are pressing against the frame.
- Do not obstruct the ventilation slots on the bottom and at the rear of the tape drive.
- Allow sufficient space for accessing the tape drive's front panel controls.

## Installing the tabletop model

### Location of components

When installing the tabletop tape drive, refer to the following figure for the location of the back-panel components.



### Step 1 – Set the SCSI ID

To set the SCSI ID for the tape drive, use a pen or other fine-tipped instrument to press the SCSI ID switch until the desired number is displayed (0–7 for narrow SCSI or 0–15 for wide SCSI).

**Note:** Changes in the SCSI ID setting take effect after a normal power-on or SCSI bus reset.

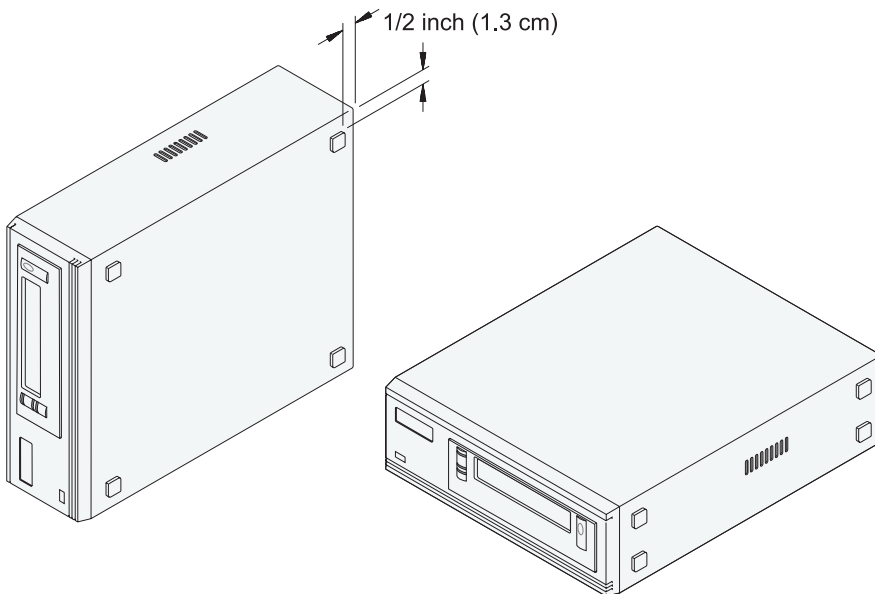
## Step 2 – Install the orientation pads

The tabletop model includes adhesive pads that you must apply to either the base or the right side, depending on how you plan to position the tape drive. These pads protect the tape drive's surface and allow air to flow through the vents when the tape drive is positioned on its side.

To install the pads:

1. Remove the backing from four pads. (Five pads are shipped with the tape drive.)
2. Affix the pads to each corner, approximately 1/2-inch (1.3 cm) from the sides.

*For a horizontal orientation, place the pads on the bottom. For a vertical orientation, place the pads on the right side (the side with the external vents).*



**CAUTION**

If you want to position the tape drive on its side, you must place the pads on the right side. Otherwise, the air flow vents will be blocked and the enclosed tape drive will overheat.

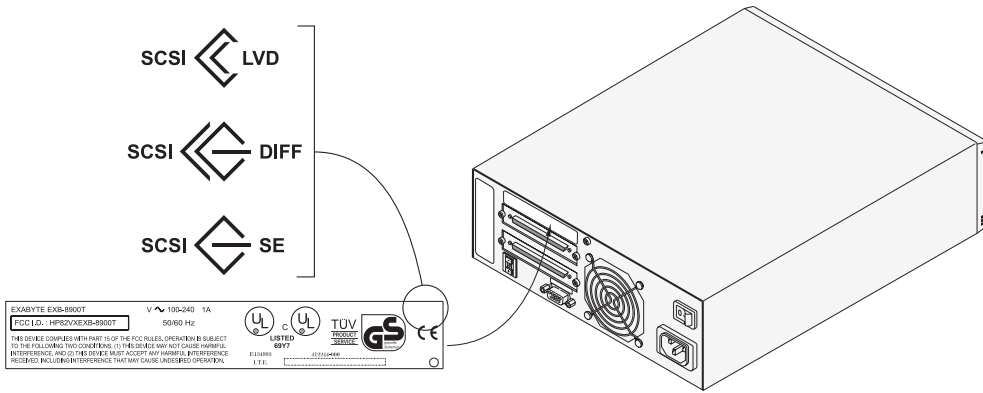
**Step 3 – Connect the drive to the SCSI bus**

You may need to provide your own shielded SCSI cable; and if the tape drive is the last device on the bus, you may also need to provide an external terminator. See the appendix for cable and terminator requirements.

Before connecting the tape drive to the SCSI bus, be aware of the following:

- You can connect single-ended and LVD SCSI tape drives to the same SCSI bus. Be aware that mixing the two types of devices will result in all devices on the bus operating as single-ended devices.
- Do not connect a single-ended wide or LVD tape drive to an HVD wide SCSI bus or your SCSI bus may hang.
- The LVD tape drive uses an LVD interface that is Ultra and Ultra2 SCSI compatible. The LVD interface allows the tape drive to be placed on the same bus as Ultra and Ultra2 SCSI devices without slowing the performance of these devices.

The product ID label, shown below, displays the SCSI configuration: LVD, DIFF (HVD), or SE.



### CAUTION

To avoid damaging the tape drive, make sure the tape drive is powered off when you connect the cables on the back.

To connect the tape drive to the SCSI bus:

1. Connect a shielded SCSI cable to the back of the tape drive.

**CAUTION**

Connecting a single-ended wide or LVD tape drive to an HVD wide SCSI bus may cause your SCSI bus to hang.

2. If the tape drive is the last device on the SCSI bus, install a terminator on the other connector. If it is not the last device, connect another SCSI cable.

## Step 4 – Connect power

To connect power to the tape drive:

1. Connect the power cord to the back.
2. Press the power switch to the on (I) position.

The tape drive performs its power-on self-test in about 30 seconds. When the tape drive is ready to accept a cartridge, the LEDs turn off.

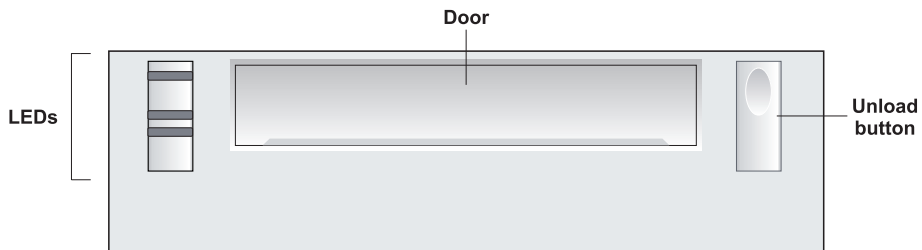
---

➤ **Important** Do not insert a cartridge into the tape drive during the power-on self-test. The tape drive will eject the cartridge.

---

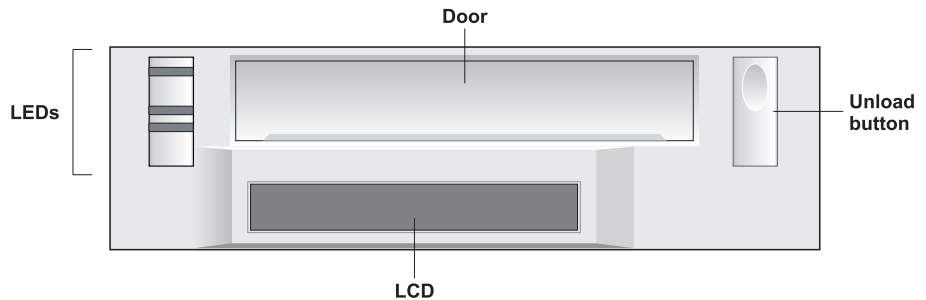
## Operating the tape drive

This section describes how to operate the tape drive. The figure below shows the front-panel components used for tape drive operation.





**Note:** In addition to the LEDs, some models of the Mammoth tape drive include an LCD (shown below) that displays alphanumeric information about the tape drive's operational status.



## Monitoring the LEDs

The LEDs have the following, general meanings:

- **Top LED (amber).** When this LED is flashing, an error has occurred. When this LED is on solid, the tape drive needs to be cleaned (see [page 28](#)).
- **Middle LED (green).** When this LED is on, tape is loaded and the tape drive is ready to begin operations.
- **Bottom LED (green).** When this LED is flashing, tape motion is occurring.

**Note:** The tabletop tape drive also includes a power-on LED on its front panel.

The following table describes the LED combinations that occur during normal tape drive operation.

	Tape Drive State							
	POST* or reset	Error or failed POST	Ready (notape loaded)	Ready (tape loaded)	Normal tape motion	High speed motion	Time to clean	Clean in progress
Top LED (Error/ Clean)	●	*	n/a	n/a	n/a	n/a	●	●
Middle LED (Tape Ready)	●	○	○	●	●	●	n/a	●
Bottom LED (Tape Motion)	●	○	○	○	*	* fast	n/a	*

\* POST = power-on self-test

Legend: ○ = off   ● = on   \*= flash   n/a = not applicable (may be any state)

## Monitoring the LCD

If the Mammoth tape drive includes an LCD, refer to the following table for a detailed list of messages that may appear.

LCD Message Description *	
<b>Reset messages.</b> <b>(When the tape drive is reset, the LCD cycles through the following messages.)</b>	
*** RESETTING	The first message during the power-on sequence.
MODEL:	The model number of the tape drive.
SUBMOD:	The submodel number of the tape drive.
SN:	The serial number of the tape drive.
CODE:	The level of the tape drive's firmware.
LAST CLN: <i>nn hrs</i>	The number of hours since the tape drive has last been cleaned.
COMPRESS: ON <i>or</i> COMPRESS: OFF	Compression is enabled (the default) or compression is disabled.
SINGLE-ENDED <i>or</i> DIFFERENTIAL <i>or</i> LV DIFFERENTIAL	The tape drive has a single-ended, differential (HVD), or LVD SCSI configuration.
WIDE <i>or</i> NARROW	The tape drive has a wide or narrow SCSI configuration.
SCSI ID:	The SCSI ID of the tape drive.
LANGUAGE:	The available non-English languages for the LCD appear when you perform the following steps: <ol style="list-style-type: none"> <li>1. Press and hold the unload button during the reset sequence. After the SCSI ID message appears, the LCD cycles through the languages.</li> <li>2. When the desired language displays, release the button and the messages appear in that language.</li> </ol> For a list of non-English language LCD messages, refer to the Exabyte Web site ( <a href="http://www.exabyte.com">www.exabyte.com</a> ) or the <i>Exabyte Mammoth Tape Drive Product Specification</i> .

LCD Message Description *	
<b>Tape drive status messages</b>	
READY-NOTAPE	The tape drive is ready to accept a cartridge.
○ <sup>-</sup> ○ LOADING . . . .	The tape drive is loading the tape.
○ <sup>-</sup> ○ READY-TAPE	The tape drive has successfully loaded the tape and is ready for read/write operations.
○ <sup>-</sup> ○ EJECT ■■■= = =	The unload button was pressed. The tape drive ejects the cartridge as soon as it finishes its current operation. The icon to the left of the EJECT message indicates the current operation (write, erase, and so on).
○ <sup>-</sup> ○ EJECT-PREVENT	The software has disabled the eject function with the PREVENT/ALLOW MEDIA REMOVAL command. The tape drive will rewind and unload the tape, but will not eject the cartridge.
○ <sup>-</sup> ○ ILLEGAL TAPE	The tape drive detected an incompatible cartridge and ejected it.
<b>Tape motion messages</b>	
○ <sup>↑</sup> ○ READ + ■■■= = =	The tape drive is reading or writing data. The + sign appears when the tape drive is in compression mode. The boxes show the amount of tape used.
○ <sup>↓</sup> ○ WRITE+ ■■■= = =	
○/○ PROTECTED	The tape drive cannot write data because the data cartridge is write-protected.
○/○ ILLEGAL WRT	The tape drive cannot write to the type of data cartridge inserted. This message remains until an unload/eject operation is performed.
>> SEARCH ■■= = = = << SEARCH ■■= = = =	High-speed search is in progress. The arrows indicate the direction of the search.
<< REWIND ■■= = = =	Rewind is in progress.
○X○ ERASE ■■= = = =	The tape drive is erasing data on the tape.

<b>LCD Message Description *</b>	
FORMAT ■■■■■■	The tape drive is repartitioning the tape to the requested format. The icon to the left of the message displays the current operation (write, erase, search, and so on).
<b>Cleaning messages</b>	
○ <sup>*</sup> ○ CLEAN SOON	The tape drive should be cleaned at the next convenient time.
○ <sup>*</sup> ○ MUST CLEAN	The tape drive must be cleaned after a metal particle tape has been used in the drive. If you attempt to insert an AME data cartridge before cleaning the tape drive, this message displays and the cartridge is ejected.
○ <sup>*</sup> ○ CLEANING . . .	Cleaning is in progress.
○ <sup>*</sup> ○ DEPLETED	The cleaning tape in the cartridge is depleted and the tape drive will eject it. Use a new cleaning cartridge.
<b>Error conditions</b> (When a hardware error occurs, the LCD cycles through the current error code and the previous two error codes.)	
ERR 1: xx yy zz ERR 2: xx yy zz ERR 3: xx yy zz	In the error display, xx indicates the fault symptom code, and yy and zz indicate secondary errors (if any). If an error appears, contact Exabyte Technical Support.
<b>Diagnostics and loading code</b>	
DIAG-LOAD TAPE	This message appears if the tape drive receives a SCSI SEND DIAGNOSTIC command or if a diagnostic tape is inserted.
DIAG-TESTING....	The tape drive is performing the diagnostic tests.
DIAG-PASSED	This message appears for 15 seconds when the test completes successfully.
DIAG-FAILED	The test failed. The LCD then cycles through three statistics messages: DIAG-WRITE, DIAG-READ, DIAG-ECC.

LCD Message Description *	
LOADING CODE....	This message displays when code is loading from a code load tape, through SCSI, or through the Monitor port. If the code load is successful, the tape drive automatically resets. If the code load fails, the LCD displays CODE LOAD FAIL.
CODE LOAD FAIL	These messages appear in sequence after the code load failed.
RETRY CODE LOAD	
MAKE CODELOAD TP	The tape drive is making a code load tape.

\* These are the correct messages as of January 1999. You can find updated LCD messages on Exabyte's Web site ([www.exabyte.com](http://www.exabyte.com)).

## Selecting appropriate data cartridges

For writing data, use only Exatape™ advanced metal evaporated (AME) data cartridges. These cartridges require no formatting or other media conditioning before use.



AME cartridges are available in lengths of 22m and 170m.

## Using metal particle tapes

The tape drive can read data from metal particle (MP) tape when it is written in one of the following formats: 8500c, 8500, or 8200. (The tape drives cannot read data written in 8200c format.) If you insert an AME cartridge after reading MP tape, you must clean the tape drive (see [page 28](#)).

---

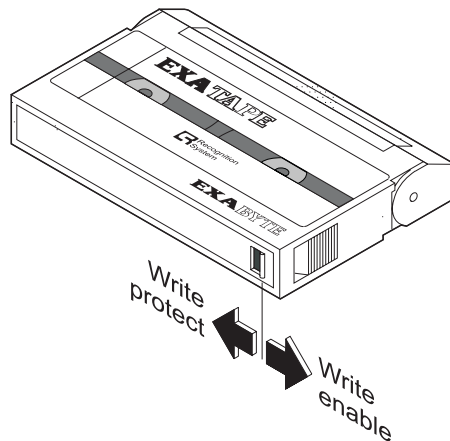
➤ **Important** Mammoth can read data written on metal particle tape, but it cannot write to this type of tape.

---

## Loading data cartridges

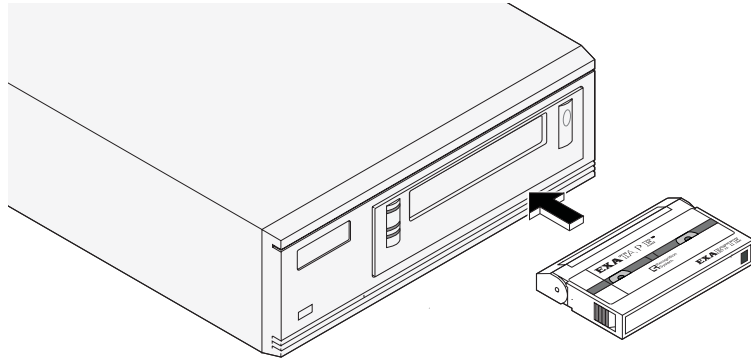
To load a cartridge:

1. Make sure the tape drive is ready to accept a cartridge (all LEDs are off). Do not insert a cartridge if the tape drive is still performing its power-on self-test.
2. Set the write-protect switch for the desired operation (shown below).





3. Insert the cartridge as shown in the following figure.



The tape drive loads the tape in approximately 20 seconds. When the middle LED is on, the tape drive is ready for read and write operations.

## Unloading data cartridges

To unload a cartridge, press the unload button. **Do not press and hold the unload button for more than 10 seconds; this can cause a reset under certain conditions.** If the tape drive is free of errors, it performs the following actions in about one minute:

- Completes any command in process
- Writes any buffered information to tape
- Rewinds the tape to the beginning
- Unloads the tape and ejects the cartridge

**Note:** If an error occurs before or during the unload procedure, the tape drive suspends the unload sequence. To clear the error, press the unload button again. The tape drive reattempts the unload sequence, but does not write data in the buffer.

## Resetting the tape drive

To reset the tape drive, press and hold the unload button for at least 10 seconds, or power the drive off and back on again.

**Note:** If you reset the tape drive while a cartridge is loaded, it rewinds the tape to the beginning after the reset is complete. The reset may take as long as two minutes if the tape is positioned near the end.

## Cleaning the tape drive

When manual cleaning is required, the top LED turns on. To help maintain data integrity and reliability, you should manually clean the tape drive as soon as possible after the LED turns on.

---

➤ **Important** When you insert an AME cartridge after reading MP tape, the top LED turns on and the cartridge is ejected. Before you can use the AME tape, you must clean the tape drive as described below.

---

To clean the tape drive, insert an Exabyte Mammoth 8mm Cleaning Cartridge (or a cleaning cartridge approved by Exabyte for use with Mammoth). When finished, the tape drive turns off the top LED and ejects the cleaning cartridge.

## About the dynamic head cleaner

The Exabyte Mammoth features an integrated dynamic head cleaner (cleaning wheel) for automatic self-cleaning of the recording heads and scanner. The cleaning wheel is activated every time media is loaded or unloaded. In addition, a sophisticated algorithm contained in the tape drive's firmware can invoke the cleaning wheel if needed during extended backup or restore operations.

The self-cleaning action of the dynamic head cleaner typically extends the interval between manual cleanings. The interval depends on the number of tape motion hours and the type of tape being used (MP or AME).

## Using Tape Alert

Tape Alert provides a standardized method for reporting errors and potential difficulties with the tape drive and media. The tape drive's internal Tape Alert firmware constantly monitors the tape drive and the media for errors and potential difficulties that could have an impact on backup quality. Any problems identified are flagged on the Tape Alert SCSI log page.

When the tape drive is used with Tape Alert-compatible backup software, the software automatically reads the log page after the completion of each backup. If an error is flagged, the backup software displays a clear warning message, suggests a corrective action for the problem, and adds the Tape Alert messages to its logs.

## Packing the tape drive

If you are shipping the tape drive to another location or returning it for repair, pack the tape drive in its original shipping container and packing materials.

### CAUTION

To avoid damaging the tape drive and voiding your warranty, use the original shipping materials (or replacement materials from your dealer).

---

➤ **Important** If you are returning the tape drive for service, remove and keep all cartridges, cables, and terminators.

---

If you are returning the tape drive to the factory for service, contact your service provider. If your service provider instructs you to return the tape drive directly to Exabyte, contact Exabyte Service (1-800-EXATAPE) to obtain a Return Materials Authorization (RMA) number and the shipping address.

# Appendix

## Specifications

Maximum Data Capacity		
Tape Length	Compressed Data *	Uncompressed Data
22m	5 gigabytes	2.5 gigabytes
170m	40 gigabytes	20 gigabytes

\* Assumes a 2:1 compression ratio.

Maximum Data Transfer Rates	
Compressed data *	6 MB/sec.
Uncompressed data	3 MB/sec.

\* Assumes a 2:1 compression ratio.

Operating Environment Specifications	
Tape Path Temperature Range	+ 5° C to + 45° C (+ 41° F to + 104° F)
Relative Humidity	20% to 80%; non-condensing
Wet Bulb	26° C (79° F) max
Altitude	-304.8 m to + 3,048 m (-1,000 ft to + 10,000 ft)

<b>Input Voltages</b>	
Internal model	Standard + 5 VDC and + 12 VDC $\pm$ 5%
Tabletop model	Accepts 120 or 240 VAC at 50 to 60 Hz. Automatic input voltage selection.

<b>SCSI Cable Specifications — Internal Model</b>	
Connector type	
Narrow	50-pin female, shielded, AMP 1-746285-0
Wide	68-pin male, shielded, AMP 786090-7
Length (maximum)	
Single-ended	3 meters (9.8 feet)*
HVD/LVD	25 meters (82 feet)†

\* A maximum cable length of 6 meters is acceptable if the transfer rate is less than 5 MB/sec.

† The maximum length for any one cable is 12 meters (39 feet).

<b>SCSI Cable Specifications — Tabletop Model</b>	
Connector type	
Narrow	50-pin male, high-density, shielded, AMP 750681-1
Wide	68-pin male, high-density, shielded, AMP 750752-1
Total maximum length (terminator to terminator)*	
Single-ended	3 meters (9.8 feet) <sup>†</sup>
HVD/LVD	25 meters (82 feet) <sup>‡</sup>

\* Each tabletop tape drive attached to the SCSI bus uses 0.4 meters (1.31 feet) of cable length internally. To determine the total length, add 0.4 meters (1.31 feet) to the length of cable used on the bus for each tabletop tape drive.

<sup>†</sup> A maximum cable length of 6 meters is acceptable if the transfer rate is less than 5 MB/sec.

<sup>‡</sup> If you have more than two devices on the bus, the maximum length for any one cable is 12 meters (39 feet).

<b>Terminator Specifications — Tabletop Model</b>	
Narrow, single-ended	AMP 750381-1
Wide	
Single-ended	AMP 869516-1
HVD	AMP 869515-1
LVD	AMP 796051-1

# Notes



# Index

## A

agency standards [iii](#)  
altitude specifications [31](#)  
AME tape [24](#)

## B

back panel  
    internal model [4](#)  
    tabletop model [13](#)

## C

cable  
    See SCSI cable  
cartridges  
    data capacity [31](#)  
    loading [26](#)  
    types to use [24](#)  
    unloading [27](#)  
    using AME tape [24](#)  
    using metal particle tape [25](#)  
cleaning  
    dynamic head cleaner [29](#)  
    LED indicator [19–20](#)  
    procedure [28](#)  
code level of tape drive [21](#)  
compression mode [21](#)

## D

data capacity [31](#)  
data cartridges  
    See cartridges  
data format [25](#)  
differential [6](#)

## E

eject button  
    See unload button  
environmental specifications [31](#)  
error conditions  
    displayed on LCD [23](#)  
    displayed on LEDs [20](#)  
ESD protection [3, 9](#)

## F

front panel components [18](#)

## G

grounding the internal model [9](#)

## H

high-voltage differential (HVD) [2, 7](#)  
humidity specifications [31](#)

## I

- input voltages 32
- installation
  - internal model 3–12
  - tabletop model 13–18

## L

- LCD
  - changing the displayed language 21
  - location 19
  - status messages 21–23
- LEDs
  - location 19
  - power-on LED for tabletop 19
  - status messages 19–20
- low-voltage differential (LVD) 6

## M

- media
  - See* cartridges
- metal particle (MP) tape, cleaning requirements after use 25
- mounting the internal model 11–12

## O

- orientation pads for tabletop model 14

## P

- packing the tape drive 30
- performance specifications 31
- power
  - connecting for internal model 10
  - connecting for tabletop model 18

## R

- remote switch 6
- resetting the tape drive 28
- returning the tape drive 30

## S

- safety agency standards iii
- screws for mounting 12
- SCSI bus
  - connecting to internal model 6
  - connecting to tabletop model 15
- SCSI cable
  - specifications for internal model 32
  - specifications for tabletop model 33
- SCSI configurations 2
- SCSI ID
  - displayed on LCD 21
  - setting for internal model 5–6
  - setting for tabletop model 13
- serial number of tape drive 21
- shipping the tape drive 30
- single-ended 2, 6
- specifications 31–33

## T

tape

    See cartridges

Tape Alert [29](#)

tape motion LED [19–20](#)

tape ready LED [19–20](#)

temperature specifications [31](#)

termination

    internal model [8](#)

    tabletop model [17, 33](#)

transfer rates [31](#)

## U

unload button

    location [18](#)

    used for resetting tape drive [28](#)

    used for unloading  
        cartridges [27](#)

## V

voltages [32](#)

# Notes