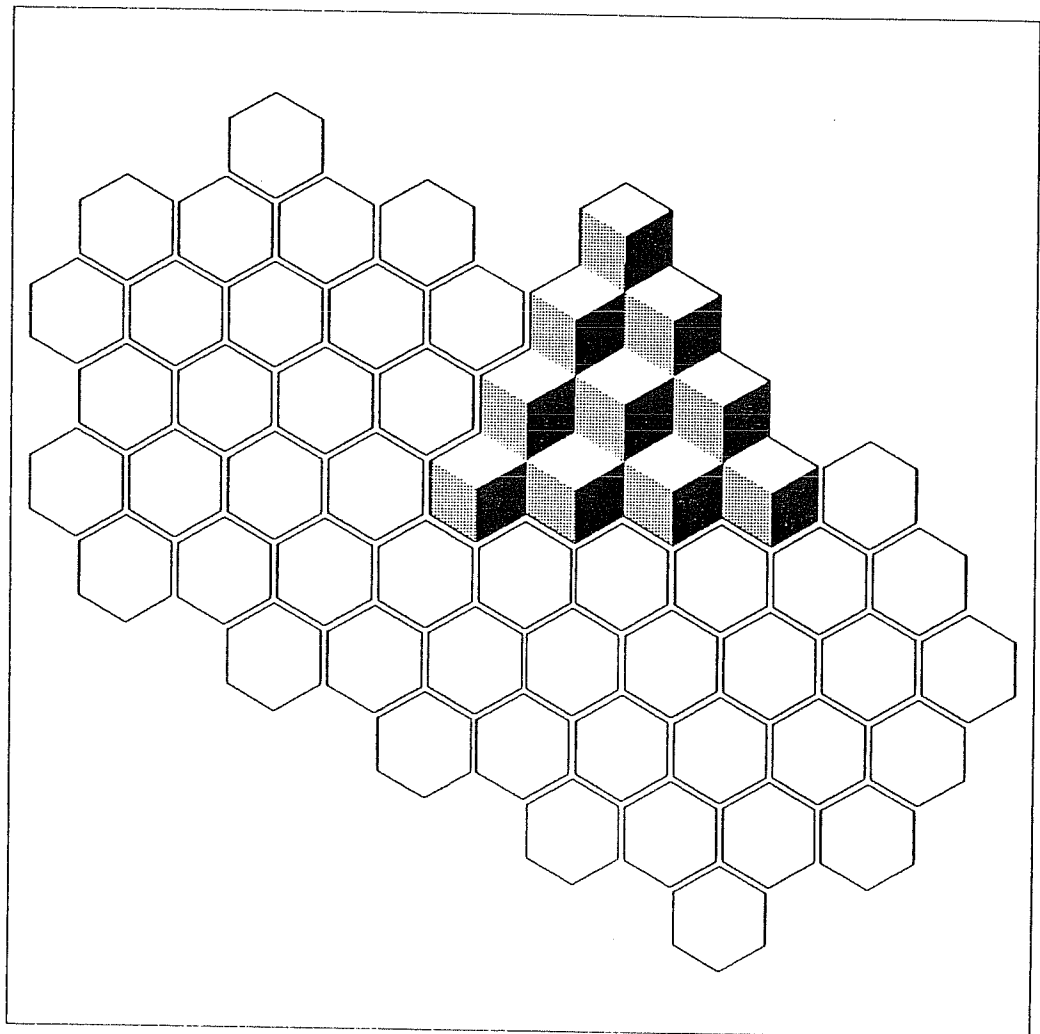


**7208 5.0GB  
External 8mm Tape Drive  
Model 011  
Installation Guide**



### **First Edition (September 1992)**

This edition notice applies to the *7208 5.0GB External 8mm Tape Drive Model 011 Installation Guide*.

**The following paragraph does not apply to the United Kingdom or any country where such provisions are inconsistent with local law:** INTERNATIONAL BUSINESS MACHINES CORPORATION PROVIDES THIS PUBLICATION "AS IS" WITHOUT WARRANTY OF ANY KIND, EITHER EXPRESS OR IMPLIED, INCLUDING, BUT NOT LIMITED TO, THE IMPLIED WARRANTIES OF MERCHANTABILITY OR FITNESS FOR A PARTICULAR PURPOSE. Some states do not allow disclaimer of express or implied warranties in certain transactions; therefore, this statement may not apply to you.

This publication could include technical inaccuracies or typographical errors. Changes are periodically made to the information herein; these changes will be incorporated in new editions of the publication. Improvements and/or changes in the product(s) and/or the program(s) described in this publication may be made at any time.

It is possible that this publication may contain reference to, or information about, products (machines and programs), programming, or services that are not announced in your country. Such references or information must not be construed to mean that these products, programming, or services will be offered in your country. Any reference to a licensed program in this publication is not intended to state or imply that you can use only the referenced licensed program. You can use any functionally equivalent program instead.

Requests for copies of this publication and for technical information about products should be made to your Authorized Dealer or your Marketing Representative.

© Copyright International Business Machines Corporation 1992. All rights reserved.

Note to U.S. Government Users — Documentation related to restricted rights — Use, duplication or disclosure is subject to restrictions set forth in GSA ADP Schedule Contract with IBM Corp.

---

## Communications Statements

The following statement applies to this product. The statement for other IBM products intended for use with this product will appear in their accompanying manuals.

### **Federal Communications Commission (FCC) Statement**

**Note:** This equipment has been tested and found to comply with the limits for a Class B digital device, pursuant to Part 15 of the FCC Rules. These limits are designed to provide reasonable protection against harmful interference in a residential installation. This equipment generates, uses, and can radiate radio frequency energy and, if not installed and used in accordance with the instructions, may cause harmful interference to radio communications. However, there is no guarantee that interference will not occur in a particular installation. If this equipment does cause harmful interference to radio or television reception, which can be determined by turning the equipment off and on, the user is encouraged to try to correct the interference by one or more of the following measures:

- Reorient or relocate the receiving antenna.
- Increase the separation between the equipment and receiver.
- Connect the equipment into an outlet on a circuit different from that to which the receiver is connected.
- Consult an IBM authorized dealer or service representative for help.

Properly shielded and grounded cables and connectors must be used in order to meet FCC emission limits. Proper cables and connectors are available from IBM authorized dealers. IBM is not responsible for any radio or television interference caused by using other than recommended cables and connectors or by unauthorized changes or modifications to this equipment. Unauthorized changes or modifications could void the user's authority to operate the equipment.

This device complies with Part 15 of the FCC Rules. Operation is subject to the following two conditions: (1) this device may not cause harmful interference, and (2) this device must accept any interference received, including interference that may cause undesired operation.

### **Japanese VCCI Statement**

This equipment is Class 2 Equipment (information equipment to be used in and around residential districts) is in conformance with the standard set by Voluntary Control for Interference by Data Processing Equipment and Electronic Office Machines (VCCI) with an aim to prevent radio interference in residential districts.

This equipment could cause interference to reception when used in proximity to radio and television receivers.

Please handle the equipment properly according to the instruction manual.

### **Korean Electromagnetic Interface Statement**

Please note that this device has been approved for non-business purposes and may be used in any environment including residential area.

**Canadian Department of Communications compliance statement**

This equipment does not exceed Class B limits per radio noise emissions for digital apparatus, set out in the Radio Interference Regulation of the Canadian Department of Communications.

**Avis de conformité aux normes du ministère des Communications du Canada**

Cet équipement ne dépasse pas les limites de Classe B d'émission de bruits radioélectriques pour les appareils numériques, telles que prescrites par le Règlement sur le brouillage radioélectrique établi par le ministère des Communications du Canada.

**United Kingdom Telecommunications Safety Requirements**

This apparatus is approved under approval number NS/G/1234/J/100003 for indirect connection to public telecommunication systems in the United Kingdom.

**International Electrotechnical Commission (IEC) Statement**

This product has been designed and built to comply with (IEC) Standard 950.

---

## Safety Notices

**Note:** For a translation of these notices, see the *External Devices Safety Information*, form number SA26-7003.

---

### Definitions of Safety Notices

**DANGER** indicates the presence of a hazard that has the potential of causing death or serious personal injury.

**Danger notices** appear on pages:

vi  
2-1  
3-1.

**WARNING** indicates an action that could cause damage to a program, device, system, or data.

**Warning notices** appear on pages:

2-4  
2-5  
3-1  
3-2.

## Safety Notices

### DANGER

An electrical outlet that is not correctly wired could place hazardous voltage on metal parts of the system or the products that attach to the system. It is the customer's responsibility to ensure that the outlet is correctly wired and grounded to prevent an electrical shock. (72XXD201)

### DANGER

To prevent a possible electrical shock when installing the device, ensure that the power cord for that device is unplugged before installing signal cables. (72XXD204)

### DANGER

To prevent a possible electrical shock when adding or removing any devices to or from the system, ensure that the power cords for those devices are unplugged before the signal cables are connected or disconnected. If possible, disconnect all power cords from the existing system before you add or remove a device. (72XXD203)

### DANGER

To prevent a possible electrical shock during an electrical storm, do not connect or disconnect cables or station protectors for communications lines, display stations, printers, or telephones. (72XXD003)

### DANGER

To prevent a possible electrical shock from touching two surfaces with different electrical grounds, use one hand, when possible, to connect or disconnect signal cables. (72XXD004)

### DANGER

To prevent a possible electrical shock, disconnect the power cord from the electrical outlet before relocating the system. (72XXD015)

---

## About This Guide

This installation guide explains how to install the 7208 5.0GB External 8mm Tape Drive Model 011.

Chapter 1, "General Information" provides general information about your 7208 Tape Drive.

Chapter 2, "7208 Tape Drive Installation Procedure," provides the information required to install your 7208 Tape Drive.

Chapter 3, "Moving the 7208 Tape Drive," provides the information required to move your 7208 Tape Drive after it has been installed.

Appendix A, "Power Cables," provides power cable information for different countries.

---

## Related Publications

- *External Devices Safety Information*, form number SA26-7003, provides translations of danger and caution notices.
- *7208 5.0GB External 8mm Tape Drive Model 011 Operator Guide*, form number SA26-7001, provides information about operating the 7208 Tape Drive.
- *7208 5.0GB External 8mm Tape Drive Model 011 Service Guide*, form number SA26-7002, provides service and maintenance information for the 7208 Tape Drive.





---

# Contents

<b>Communications Statements</b> .....	iii
<b>Safety Notices</b> .....	v
Definitions of Safety Notices .....	v
Safety Notices .....	vi
<b>About This Guide</b> .....	vii
Related Publications .....	vii
<b>Chapter 1. General Information</b> .....	1-1
Description .....	1-1
<b>Chapter 2. 7208 Tape Drive Installation Procedure</b> .....	2-1
Observe These Safety Notices During Installation .....	2-1
Step 1. Checking the Electrical Outlets .....	2-2
Step 2. Before You Begin .....	2-2
Step 3. Inventory Checklist .....	2-2
Step 4. Unpacking the 7208 Tape Drive .....	2-4
Step 5. Setting the SCSI Address Switch .....	2-4
Step 6. Placing the 7208 Tape Drive .....	2-5
Step 7. Do a System Shutdown .....	2-5
Step 8. Connecting the SCSI Signal Cable .....	2-6
Step 9. Installing the SCSI Terminator .....	2-6
Step 10. Connecting the Power Cables .....	2-7
Step 11. 7208 Tape Drive Checkout Procedure .....	2-7
<b>Chapter 3. Moving the 7208 Tape Drive</b> .....	3-1
Observe These Safety Notices when Moving a 7208 Tape Drive .....	3-1
Move Checklist .....	3-2
<b>Appendix A. Power Cables</b> .....	A-1



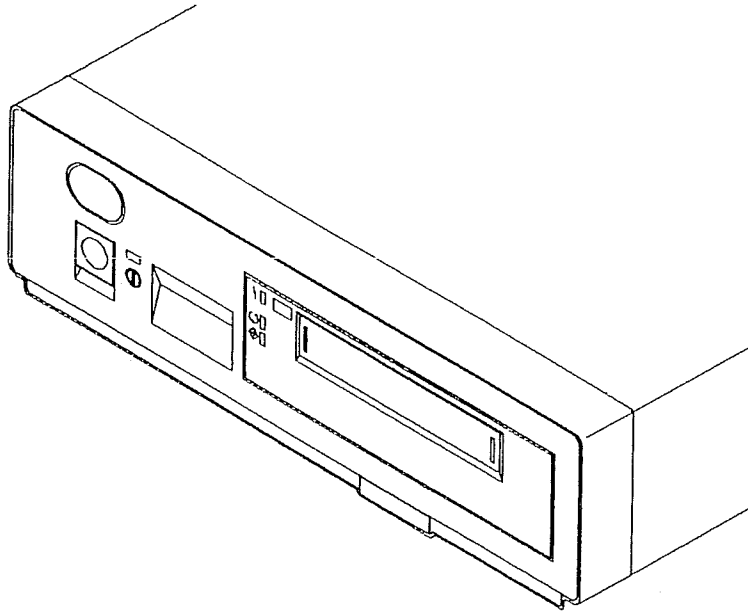
---

## Chapter 1. General Information

This chapter provides a brief description of the 7208 Tape Drive.

---

### Description



The 7208 Tape Drive is an external streaming tape drive that is used for:

- Archiving important records.
- Distributing operating system software upgrades.

The 7208 Tape Drive Model 011 is designed to be attached to any system using a single-ended interface meeting the Small Computer System Interface II (SCSI-II) Standard ANSI XT39/89-042.

The 7208 Tape Drive has the following features:

- Capacity of up to 5.0GB per cartridge (5GB = 5 000 000 000 bytes).
- 500KB per second data transfer rate (500KB = 512 000 bytes).
- The data compression hardware, contained in the tape drive, is controlled by your system software and can increase your effective capacity and transfer rate up to 10GB (10 000 000 000 bytes) and 1MB (1 024 000 bytes) per second respectively. This feature does not require any special handling by the 7208 Tape Drive operator.

The actual capacity per cartridge varies depending on the application and the type of data cartridge being used.

- A status light that indicates when it is time to clean the tape path.



---

## Chapter 2. 7208 Tape Drive Installation Procedure

This chapter provides step-by-step instructions on how to properly install the 7208 Tape Drive.

### Observe These Safety Notices During Installation

**Note:** For a translation of these safety notices, see *External Devices Safety Information*, form number SA26-7003.

#### DANGER

An electrical outlet that is not correctly wired could place hazardous voltage on metal parts of the system or the products that attach to the system. It is the customer's responsibility to ensure that the outlet is correctly wired and grounded to prevent an electrical shock. (72XXD201)

#### DANGER

To prevent a possible electrical shock when installing the device, ensure that the power cord for that device is unplugged before installing signal cables. (72XXD204)

#### DANGER

To prevent a possible electrical shock when adding or removing any devices to or from the system, ensure that the power cords for those devices are unplugged before the signal cables are connected or disconnected. If possible, disconnect all power cords from the existing system before you add or remove a device. (72XXD203)

#### DANGER

To prevent a possible electrical shock during an electrical storm, do not connect or disconnect cables or station protectors for communications lines, display stations, printers, or telephones. (72XXD003)

#### DANGER

To prevent a possible electrical shock from touching two surfaces with different electrical grounds, use one hand, when possible, to connect or disconnect signal cables. (72XXD004)

When installing the 7208 Tape Drive you should complete the following steps.

### Step 1. Checking the Electrical Outlets

- Make sure the electrical outlets you use are properly grounded.

### Step 2. Before You Begin

You will need to refer to your system management or system hardware books to locate information you will need to install the 7208 Tape Drive.

- **Get your system unit books now.**

You may find the needed information under the topics:

1. Installing an External SCSI tape drive
2. SCSI controllers
3. External SCSI devices

DO NOT CONTINUE until you have located the book which describes how to:

- Determine where the SCSI controller is located. (Where you will make the cable connection.)

Record the controller location here  .

- Determine an unused SCSI address for the 7208 Tape Drive.

Record the address here  .

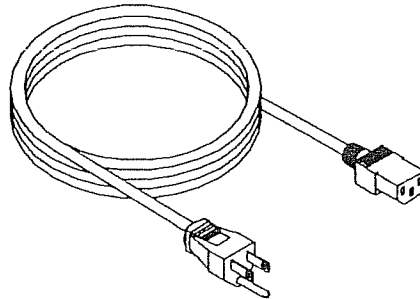
- Determine the proper way to do a controlled shutdown and system startup of the system unit.

### Step 3. Inventory Checklist

There are no special tools required to install the 7208 Tape Drive. Everything that is required to install the 7208 Tape Drive is shipped with the unit.

Check to make sure that you received the following items:

- Power cable (see Appendix A, "Power Cables")



- The *External Devices Warranty Information* (U.S., Canada, and Puerto Rico only)

— The 7208 5.0GB External 8mm Tape Drive Model 011 Installation Guide (this guide)

— The 7208 5.0GB External 8mm Tape Drive Model 011 Operator Guide

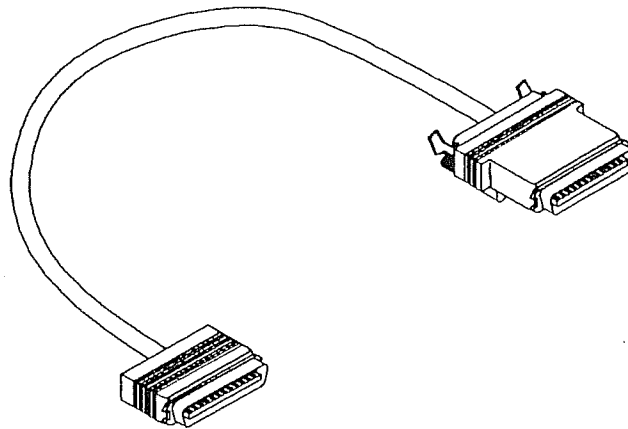
— The 7208 5.0GB External 8mm Tape Drive Model 011 Service Guide

— The External Devices Safety Information manual

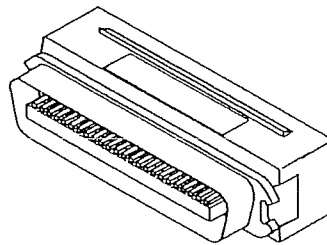
— One **topology diskette**

**Note:** Used for initial installation. Refer to the system **management** or **planning** documentation for specific information about this diskette.

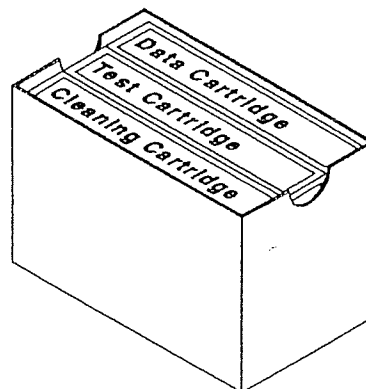
— SCSI signal cables



— External SCSI bus terminator



— Media Kit:



After completing the installation of this device, store this guide, the operator guide, the service guide, and the translated safety information with your system unit documentation.

#### Step 4. Unpacking the 7208 Tape Drive

**Warning:** The 7208 Tape Drive is a precision device that requires reasonable care in handling to prevent data loss or permanent damage to the device. Avoid bumping or dropping the 7208 Tape Drive.

Do the following in sequence:

- Remove the packing material from the 7208 Tape Drive.
- Be sure the power switch for the 7208 Tape Drive you are installing is set to Off.

#### Step 5. Setting the SCSI Address Switch

**Notes:**

1. The SCSI address switch is used to set the SCSI address of the 7208 Tape Drive. This unique address identifies the 7208 Tape Drive to your system unit.
2. Do not select an address for the 7208 Tape Drive that is already in use.

Do the following in sequence:

**Back View of the 7208 Tape Drive:**

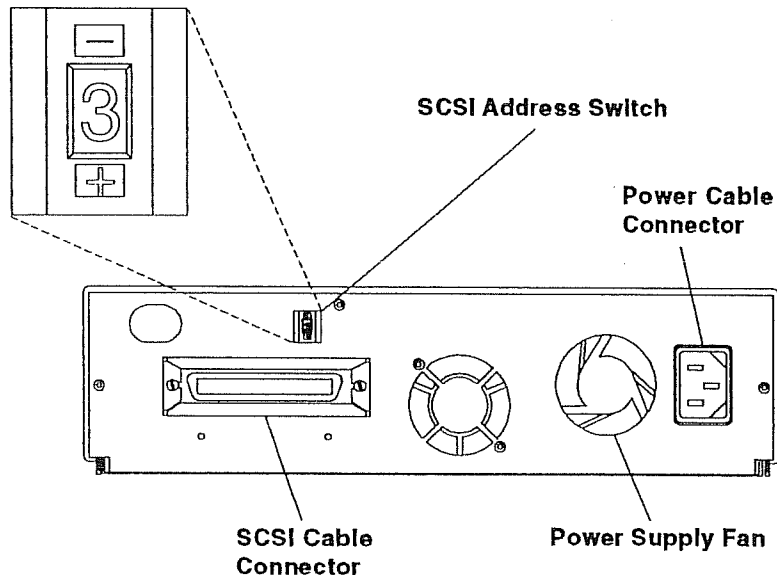


Figure 2-1. Back View of the 7208 Tape Drive

- Using Figure 2-1, press the + or – pushbutton to set the SCSI address switch on the back of the 7208 Tape Drive to the address you have previously determined. See "Step 2. Before You Begin" on page 2-2.



## Step 6. Placing the 7208 Tape Drive

The 7208 Tape Drive can be located anywhere that is convenient to your system unit. The only restrictions to the location of the 7208 Tape Drive are the length of the power cord and the SCSI cable.

**Warning:** This is a precision device requiring reasonable care in handling to prevent data loss or permanent damage to the drive. Avoid bumping or dropping the device.

Do the following in sequence:

- \_\_\_ Place the 7208 Tape Drive in the location you have previously determined. See "Step 2. Before You Begin" on page 2-2.
- \_\_\_ Connect the power cable to the device. **(Do not plug it into the electrical outlet at this time.)**

**Note:** The external devices attached to the system unit can be stacked. Please do not place more than 30 pounds on top of the 7208 Tape Drive when stacking external devices.

## Step 7. Do a System Shutdown

**Warning:** Do not attach the 7208 Tape Drive to an active system unit. Attaching the 7208 Tape Drive to an active system unit can damage the 7208 Tape Drive, the system unit, or both.

Do the following in sequence:

- \_\_\_ Do a **controlled shutdown** of the system unit if it is on.
  - Note:** The information required to do a controlled shutdown of the system can be found either in the system **management** or **planning** documentation or from the person responsible for the **management, planning, configuration, or operation** of the system.
- \_\_\_ Make sure the power switch for all external devices connected to the system unit are set to Off.
- \_\_\_ Make sure the system unit power is turned off.
- \_\_\_ Make sure the system unit is unplugged from the power source.
- \_\_\_ Unplug the power cable to any external devices connected to the system unit.

## Step 8. Connecting the SCSI Signal Cable

**Note:** The SCSI cable has a "D" shell connector that is inserted into the mating connector of the 7208 Tape Drive.

Do the following in sequence:

- Align the SCSI signal cable with the connector on the back of the 7208 Tape Drive.
- Push in until the cable is seated.
- Tighten the thumbscrews (finger tight).

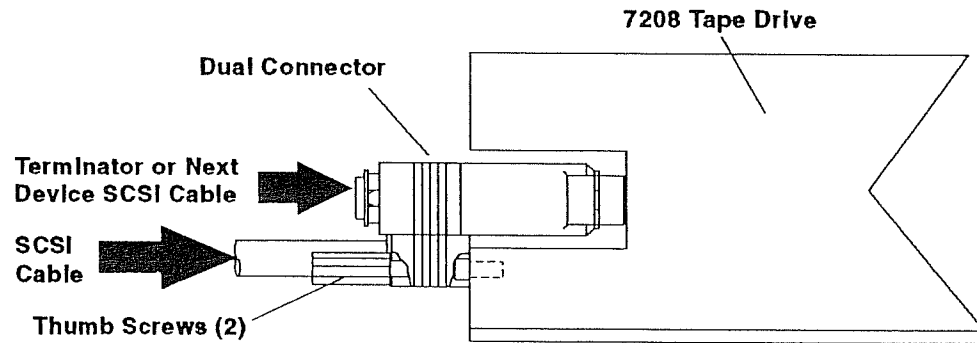


Figure 2-2. Connecting the SCSI Cable to the 7208 Tape Drive

- Connect the other end of the SCSI cable to either the system unit, if the 7208 Tape Drive is the only device on the SCSI bus (see Figure 2-3), or the next device if this is a multiple device configuration (see Figure 2-4 on page 2-7).

## Step 9. Installing the SCSI Terminator

Do the following in sequence:

- Make sure the terminator is installed on the last device on the SCSI bus.
- If the 7208 Tape Drive is the only SCSI device on the SCSI bus, the terminator must be installed on the dual connector of the SCSI cable installed in the previous step, as shown in Figure 2-3.

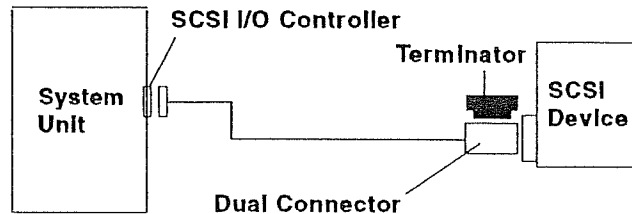


Figure 2-3. Example of Attaching Only One SCSI Device

- If there is more than one device on the SCSI bus, move the terminator to the last device as shown in Figure 2-4 on page 2-7.

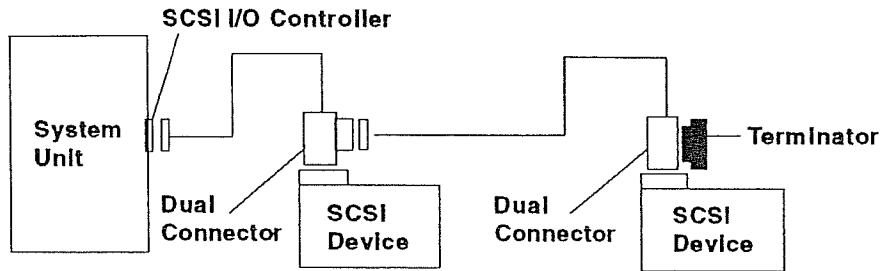


Figure 2-4. Example of Attaching Multiple SCSI Devices

**Note:** Only one terminator is required to terminate the SCSI bus. You do not need to use the terminator shipped with the 7208 Tape Drive if a terminator has been previously installed.

## Step 10. Connecting the Power Cables

Do the following in sequence:

- \_\_\_ Plug the system unit power cable into an electrical outlet.
- \_\_\_ Plug the power cable for all external devices into their electrical outlets.
- \_\_\_ Make sure the power for all of the external devices is switched on.

## Step 11. 7208 Tape Drive Checkout Procedure

**Note:** The 7208 Tape Drive includes internal diagnostics that can help identify faults within the device. These diagnostics, called Power-On Self Tests (POSTs), are run each time the 7208 Tape Drive power is switched on.

Do the following in sequence:

- \_\_\_ Turn the power off then on again for the 7208 Tape Drive you are installing.
- \_\_\_ Watch for the following to occur:
  1. The 7208 Tape Drive power light is lit and stays lit.
  2. The two green status lights and the amber status light are lit, indicating the 7208 Tape Drive Power-On Self Test (POST) is running.
  3. All three status lights are turned off after approximately 60 seconds, indicating that the POST has completed successfully.

**Note:** If the POST does not complete successfully, the 7208 Tape Drive has detected an internal fault and must be repaired. Contact your service representative. **Do not continue with the installation at this time.**

- \_\_\_ If the POST completes successfully, do the following:
  1. Make sure the 7208 Tape Drive has been **configured** into the system correctly.
  2. Make sure the **7208 Tape Drive diagnostics** have been run successfully.

**Notes:**

1. You will need to refer to your system management or system hardware books to locate information you will need to complete Steps 1 and 2 above.
2. Some system manufacturers require an electronic copy, a **topology record** to be forwarded to the plant of manufacture. If you have a **topology diskette** in your inventory, you need to perform this task.

— This completes the 7208 Tape Drive installation.

**Note:** After completing the installation of the 7208 Tape Drive, store all 7208 Tape Drive publications with your system documentation.

---

## Chapter 3. Moving the 7208 Tape Drive

This chapter describes how to pack and move the 7208 Tape Drive.

### Observe These Safety Notices when Moving a 7208 Tape Drive

**Note:** For a translation of these safety notices, see the *External Devices Safety Information*, form number SA26-7003.

**Warning:** Damage as a result of improper handling may void your equipment warranty. Consult your local Service Representative to obtain packing materials or assistance to prepare your 7208 Tape Drive when moving.

#### DANGER

An electrical outlet that is not correctly wired could place hazardous voltage on metal parts of the system or the products that attach to the system. It is the customer's responsibility to ensure that the outlet is correctly wired and grounded to prevent an electrical shock. (72XXD201)

#### DANGER

To prevent a possible electrical shock when installing the device, ensure that the power cord for that device is unplugged before installing signal cables. (72XXD204)

#### DANGER

To prevent a possible electrical shock when adding or removing any devices to or from the system, ensure that the power cords for those devices are unplugged before the signal cables are connected or disconnected. If possible, disconnect all power cords from the existing system before you add or remove a device. (72XXD203)

#### DANGER

To prevent a possible electrical shock during an electrical storm, do not connect or disconnect cables or station protectors for communications lines, display stations, printers, or telephones. (72XXD003)

#### DANGER

To prevent a possible electrical shock from touching two surfaces with different electrical grounds, use one hand, when possible, to connect or disconnect signal cables. (72XXD004)

## Move Checklist

Please do all the following steps when moving the 7208 Tape Drive.

**Note:** You may need to contact a person who is knowledgeable in system **management, planning, configuration, or operations** to complete some of these steps.

**Warning:** Failure to perform the following steps in sequence before you add or delete a device, may result in losing data or possibly cause a system fault.

\_\_\_ Remove the tape cartridge, if any, from the drive by pressing the unload button while the 7208 Tape Drive power is on.

\_\_\_ Logically disconnect the 7208 Tape Drive from the system.

**Warning:** Failure to inform the operating system before you add or delete a device may result in losing data or causing a system fault.

\_\_\_ Do a **controlled shutdown** of the system unit, if it is on.

\_\_\_ Set the power switch for the system unit to off.

\_\_\_ Unplug the system unit from the power source.

\_\_\_ Set the power switch to off for all external devices attached to the system.

\_\_\_ Unplug all attached external devices from their power sources.

**Warning:** When SCSI signal cables are connected to a system unit, they **must** also be connected to a device. Do not leave the signal cable connected to the system if the device for that cable has been removed.

\_\_\_ Disconnect the SCSI signal cable from the 7208 Tape Drive that you are moving.

\_\_\_ Move the 7208 Tape Drive to the new location. See "Step 6. Placing the 7208 Tape Drive" on page 2-5 of the installation procedures.

\_\_\_ Connect the SCSI signal cable to the 7208 Tape Drive. See "Step 8. Connecting the SCSI Signal Cable" on page 2-6 of the installation procedures.

\_\_\_ Make sure that the terminator is installed on the last device on the SCSI bus. See "Step 9. Installing the SCSI Terminator" on page 2-6 of the installation procedures.

\_\_\_ Plug the system unit power cable, previously unplugged, into an electrical outlet.

\_\_\_ Plug the power cable for all external devices, previously unplugged, into an electrical outlet.

\_\_\_ Make sure that the power for all of the external devices is switched on.

\_\_\_ Plug the power cable for the 7208 Tape Drive that you are moving into an electrical outlet.

\_\_\_ Make sure that the internal diagnostics have been run successfully. See "Step 11. 7208 Tape Drive Checkout Procedure" on page 2-7 of the installation procedures.

---

## Appendix A. Power Cables

To avoid electrical shock, a power cable with a grounded attachment plug is provided. Use only properly grounded outlets.

Power cables used in the United States and Canada are listed by Underwriter's Laboratories (UL) and certified by the Canadian Standards Association (CSA). These power cables consist of:

- Electrical cables, type SVT or SJT.
- Attachment plugs complying with National Electrical Manufacturers Association (NEMA) 5-15P. That is,
  - "For 115 V operation use a UL Listed Cable Set consisting of a minimum 18 AWG, Type SVT or SJT three conductor cable a maximum of 15 feet in length and a parallel blade, grounding type attachment plug rated at 15 A, 125 V."
  - "For 230 V operation in the United States use a UL Listed Cable Set consisting of a minimum 18 AWG, Type SVT or SJT three conductor cable a maximum of 15 feet in length, and a tandem blade, grounding type attachment plug rated at 15 A, 250 V."
- Appliance couplers complying with International Electrotechnical Commission (IEC) Standard 320, Sheet C13.

Power cables used in other countries consist of:

- Electrical cables, type HD21.
- Attachment plugs approved by the appropriate testing organization for the specific countries where they are used.
  - "For units set at 230 V (outside of U. S.): Use a Cable Set consisting of a minimum 18 AWG cable and grounding type attachment plug rated 15 A, 250 V. The Cable Set should have the appropriate safety approvals for the country in which the equipment will be installed and marked 'HAR'."

Table A-1 on page A-2 lists the power cable part number, the country where the power cable can be used, and an index number to be matched with the receptacle illustrations shown in Figure A-1 on page A-3. Please contact your local dealer if your 7208 Tape Drive power cable does not match this information.

<i>Table A-1. Power Cable Information</i>		
<b>Part Number</b>	<b>Country</b>	<b>Index</b>
1838574 US/Canada	Bahamas, Barbados, Bolivia, Brazil, Canada, Costa Rica, Dominican Republic, El Salvador, Ecuador, Guatemala, Guyana, Haiti, Honduras, Jamaica, Japan, Netherlands Antilles, Panama, Peru, Philippines, Taiwan, Thailand, Trinidad, Tobago, U.S.A. (except Chicago), Venezuela	1
6952300 US/Canada	Bahamas, Barbados, Bermuda, Bolivia, Brazil, Canada, Cayman Islands, Colombia, Costa Rica, Dominican Republic, Ecuador, El Salvador, Guatemala, Guyana, Haiti, Honduras, Jamaica, Japan, Korea (South), Mexico, Netherlands Antilles, Nicaragua, Panama, Peru, Philippines, Puerto Rico, Saudi Arabia, Suriname, Trinidad, Taiwan, U.S.A. (except Chicago), Venezuela	2
6952301 6 ft Chicago	Chicago, U.S.A.	2
13F9940 Australia	Argentina, Australia, New Zealand	3
13F9979 France	Abu Dhabi, Austria, Belgium, Bulgaria, Botswana, Egypt, Finland, France, Germany, Greece, Iceland, Indonesia, Korea (South), Lebanon, Luxembourg, Macau, Netherlands, Norway, Portugal, Saudi Arabia, Spain, Sudan, Sweden, Turkey, Yugoslavia	4
13F9997 Denmark	Denmark	5
14F0015 South Africa	Bangladesh, Burma, Pakistan, South Africa, Sri Lanka	6
14F0033 United Kingdom	Bahrain, Bermuda, Brunei, Channel Islands, Cyprus, Ghana, Hong Kong, India, Iraq, Ireland, Jordan, Kenya, Kuwait, Malawi, Malaysia, Nigeria, Oman, People's Republic of China, Qatar, Sierra Leone, Singapore, Tanzania, Uganda, United Arab Emirates (Dubai), United Kingdom, Zambia	7
14F0051 Switzerland	Liechtenstein, Switzerland	8
14F0069 Italy	Chile, Ethiopia, Italy	9
14F0087 Israel	Israel	10
6952291 Columbia	Columbia, Paraguay, Uruguay	11



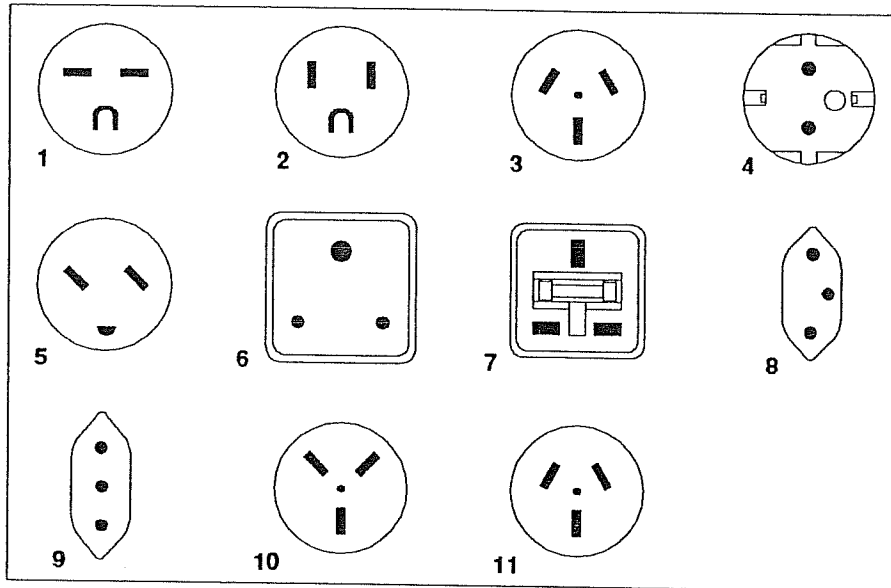


Figure A-1. Receptacle Illustrations



# Customer Satisfaction Feedback

7208 5.0GB External 8mm Tape Drive  
Model 011  
Installation Guide  
Publication No. SA26-7000-00

Overall, how would you rate this manual?

	Very Satisfied	Satisfied	Dissatisfied	Very Dissatisfied
Overall satisfaction				

How satisfied are you that the information in this manual is:

Accurate				
Complete				
Easy to find				
Easy to understand				
Well organized				
Applicable to your tasks				

THANK YOU!

Please tell us how we can improve this manual:

---

---

---

---

---

---

---

---

May we contact you to discuss your responses?  Yes  No

Phone: ( ) \_\_\_\_\_

Fax: ( ) \_\_\_\_\_

To return this form:

- Mail it
- Fax it

United States: 507+286+4581

Other countries: (+1)+507+286+4581

- Hand it to your service representative.

Note that we may use or distribute the responses to this form without obligation.

Name \_\_\_\_\_

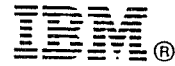
Address \_\_\_\_\_

Company or Organization \_\_\_\_\_

\_\_\_\_\_

Phone No. \_\_\_\_\_

\_\_\_\_\_



Cut or Fold  
Along Line

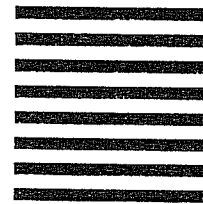
Fold and Tape

Please do not staple

Fold and Tape



NO POSTAGE  
NECESSARY  
IF MAILED IN THE  
UNITED STATES



# BUSINESS REPLY MAIL

FIRST CLASS MAIL PERMIT NO. 40 ARMONK, NEW YORK

POSTAGE WILL BE PAID BY ADDRESSEE

ATTN DEPT 29Y  
IBM CORPORATION  
3605 HWY 52 N  
ROCHESTER MN 55901-7899



Fold and Tape

Please do not staple

Fold and Tape

# Customer Satisfaction Feedback

7208 5.0GB External 8mm Tape Drive  
Model 011  
Installation Guide  
Publication No. SA26-7000-00

Overall, how would you rate this manual?

	Very Satisfied	Satisfied	Dissatisfied	Very Dissatisfied
Overall satisfaction				

How satisfied are you that the information in this manual is:

Accurate				
Complete				
Easy to find				
Easy to understand				
Well organized				
Applicable to your tasks				

THANK YOU!

Please tell us how we can improve this manual:

---

---

---

---

---

---

---

---

May we contact you to discuss your responses?  Yes  No

Phone: ( ) \_\_\_\_\_

Fax: ( ) \_\_\_\_\_

To return this form:

- Mail it
- Fax it

United States: 507+286+4581

Other countries: (+1)+507+286+4581

- Hand it to your service representative.

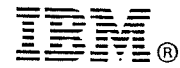
Note that we may use or distribute the responses to this form without obligation.

Name \_\_\_\_\_

Address \_\_\_\_\_

Company or Organization \_\_\_\_\_

Phone No. \_\_\_\_\_



Cut or Fold  
Along Line

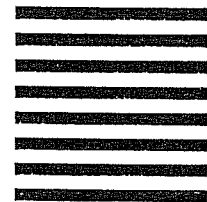
Fold and Tape

Please do not staple

Fold and Tape



NO POSTAGE  
NECESSARY  
IF MAILED IN THE  
UNITED STATES



**BUSINESS REPLY MAIL**

FIRST CLASS MAIL PERMIT NO. 40 ARMONK, NEW YORK

POSTAGE WILL BE PAID BY ADDRESSEE

ATTN DEPT 29Y  
IBM CORPORATION  
3605 HWY 52 N  
ROCHESTER MN 55901-7899



Fold and Tape

Please do not staple

Fold and Tape

Cut or Fold  
Along Line





Part Number: 17G1749  
File Number:  
Program Number:

Printed in U.S.A.



SA26-7000-00

