

chapter 3

ILLUSTRATED PARTS CATALOG

This chapter provides an illustrated parts breakdown and a reference for spare part numbers for components of the Compaq Armada M300.

3.1 Serial Number Location

When ordering parts or requesting information, provide the computer serial number and model number located on the bottom of the computer (Figure 3-1).

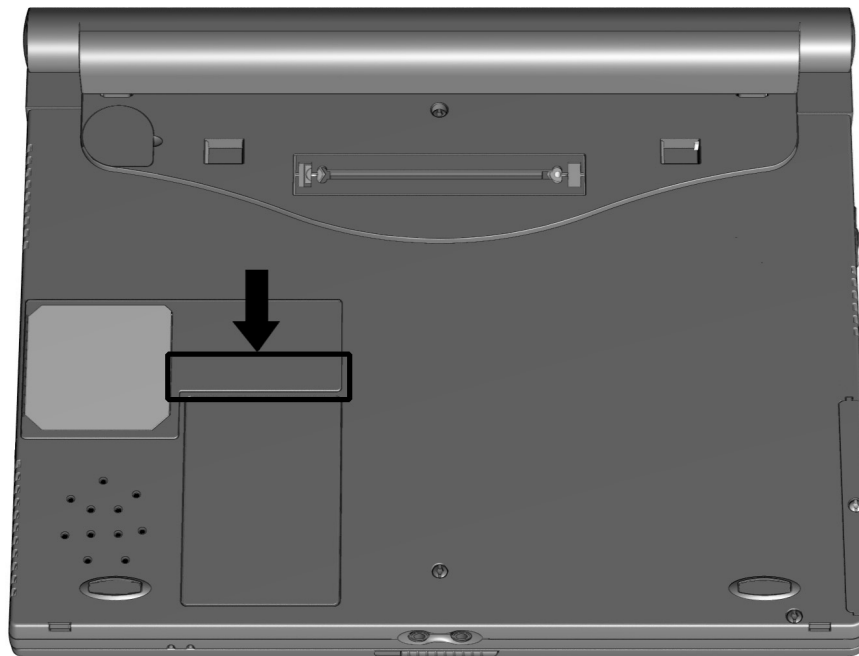


Figure 3-1. Serial Number Location

3.2 Computer Major System Components

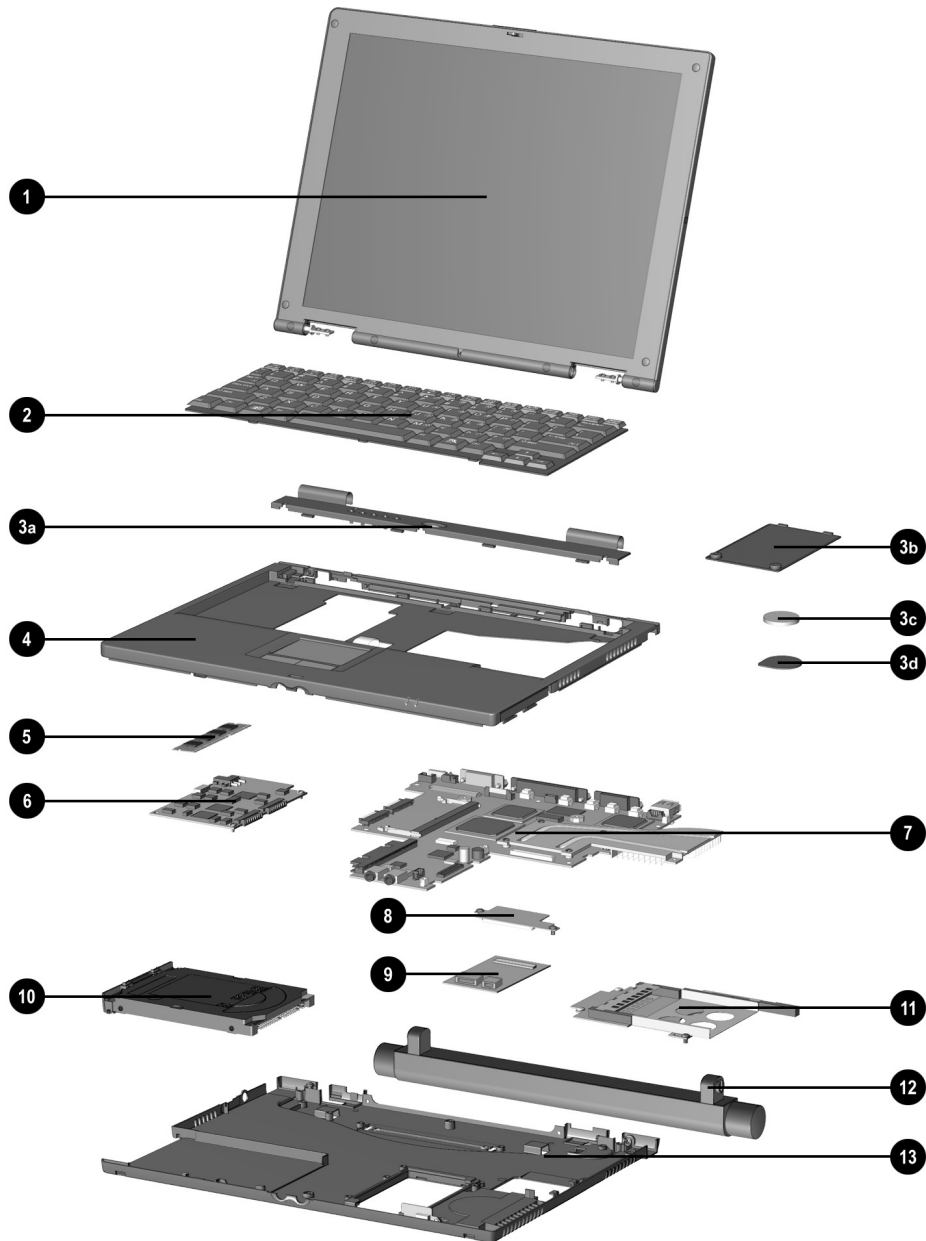


Figure 3-2. Major System Components

Table 3-1
Spare Parts: Computer System Major Components

Item	Description	Spare Part Number
1	Display assembly	
	11.3-inch, XGA, CTFT (SKU#'s 165288-XXX only)	171969-001
	11.3-inch, SVGA, CTFT	178654-001
2	Keyboard	140375-XXX
	Belgian -181	Italian -061
	Portuguese -131	
	Brazilian -201	International -003
	Spanish -071	
	Danish -081	Japanese -191
	Swiss -111	
	Finnish -101	Korean -AD1
	Taiwanese -AB1	
	French -051	Latin American
U.K. English -031		
French Canadian -121	Spanish -161	
U.S. English/ Canadian -001		
	Miscellaneous Plastic Kit	136254-001
3a	Switch cover	
3b	Modem cover	
3c	Real time clock (RTC) battery	
3d	RTC battery cover	
4	Top cover with TouchPad	140381-001
5	Memory expansion board	
	256 MB	167136-001
	128 MB	135244-001
	64 MB	135243-001
	32 MB	135242-001
6	Voltage converter board	136251-001
7	Processor board assembly	
	Intel Pentium III 500 MHz	171968-001
	Intel Celeron 450 MHz	171967-001
	Intel Pentium II 333 MHz	136250-001
	Intel Celeron 333 MHz	136248-001
8	Modem connector board	140385-001
9	Mini PCI modem board, V.90, Type-I	121896-001
	Mini PCI combination modem/network interface card (NIC), V.90, Type-I	153107-001
10	Hard drive	
	12.0 GB	171971-001
	6.4 GB	136246-001
	4.3 GB	136245-001
11	PC Card Assembly	140384-001
12	Battery pack, Li-ion	230609-001
	High capacity battery pack	155065-001
13	CPU base enclosure	103755-001
	LED board (not illustrated)	168641-001

3.3 Miscellaneous Plastic Kit Components

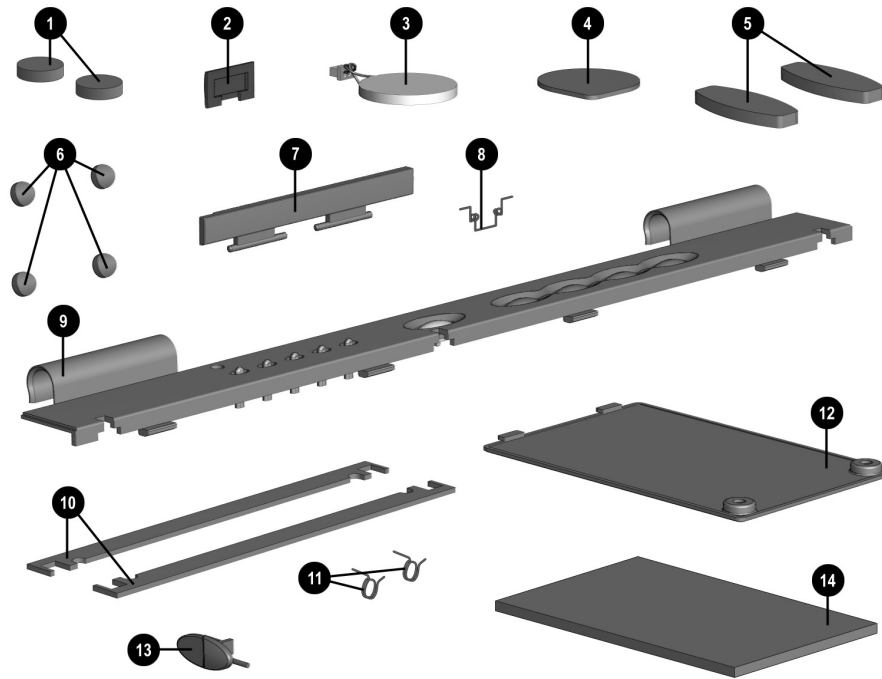


Figure 3-3. Miscellaneous Plastic Kit Components

Table 3-2
Spare Parts: Miscellaneous Plastic Kit Components
Spare Part Number 136254-001

Item	Description
1	Back rubber feet
2	Infrared lens
3	RTC (Real Time Clock) battery
4	RTC (Real Time Clock) battery cover
5	Front rubber feet
6	Display screw covers
7	PC Card door
8	PC Card door spring
9	Switch cover
10	Docking bay doors
11	Docking bay door springs
12	Modem cover
13	Power button
14	Modem card dummy

3.4 Mass Storage Devices

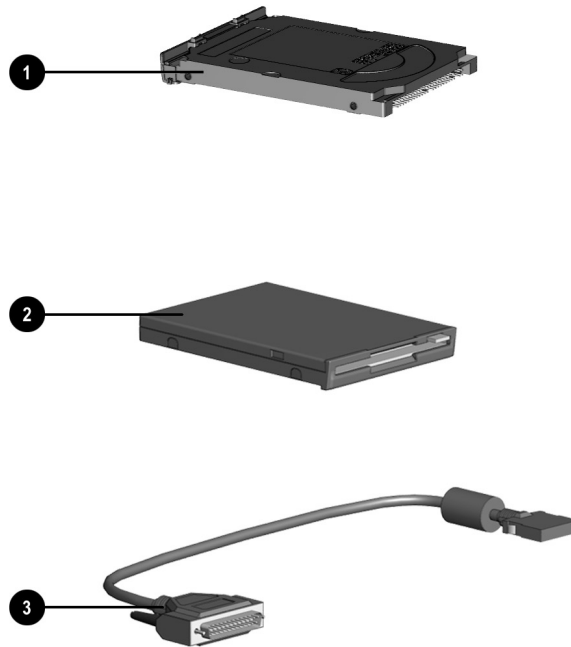


Figure 3-4. Mass Storage Devices

**Table 3-3
Spare Parts: Mass Storage Devices**

Item	Description	Spare Part Number
1	Hard drive 12.0 GB 6.4 GB 4.3 GB	171971-001 136246-001 136245-001
2	External diskette drive, 1.44-megabyte, 3.5 inch/8.89 cm	136256-001
3	External diskette drive cable	140383-001
*	4X DVD-ROM drive (for use with Mobile Expansion Unit)	102266-001
*	SuperDisk LS-120 drive (for use with Mobile Expansion Unit)	327456-003
*	24X Max CD-ROM drive (for use with Mobile Expansion Unit)	315082-002

* Not illustrated

3.5 Miscellaneous

Table 3-4
Spare Parts: Miscellaneous (not illustrated)

Description			Spare Part Number
Mobile Expansion Unit			140382-001
Armada M300 <i>Maintenance & Service Guide</i>			158340-001
PC Card modem			105993-001
Battery Charger			277734-001
AC Power Cord			246959-XXX
Australian	246959-011	Japanese	246959-291
Danish	246959-081	Korean	246959-AD1
European/Middle		Swiss	246959-AG1
Eastern/African	246959-021	U.K. English	246959-031
Italian	246959-061	U.S. English	246959-001
External AC Adapter			163444-001
Return Kit			136257-001
Miscellaneous Screw Kit			136255-001
Modem, 56K, V.90 with integrated NIC			153107-001
Modem, 56K, V.90			121896-001
Hard drive adapter			155352-001
Battery charger			153991-001