
HP OmniBook Docking Products

User's Guide

Notice

This manual and any examples contained herein are provided “as is” and are subject to change without notice. Hewlett-Packard Company makes no warranty of any kind with regard to this manual, including, but not limited to, the implied warranties of merchantability and fitness for a particular purpose. Hewlett-Packard Co. shall not be liable for any errors or for incidental or consequential damages in connection with the furnishing, performance, or use of this manual or the examples herein.

Consumer transactions in Australia and the United Kingdom: The above disclaimers and limitations shall not apply to Consumer transactions in Australia and the United Kingdom and shall not affect the statutory rights of Consumers.

© Copyright Hewlett-Packard Company 1998. All rights reserved. Reproduction, adaptation, or translation of this manual is prohibited without prior written permission of Hewlett-Packard Company, except as allowed under the copyright laws.

The programs that control this product are copyrighted and all rights are reserved. Reproduction, adaptation, or translation of those programs without prior written permission of Hewlett-Packard Co. is also prohibited.

Portions of the programs that control this product may also be copyrighted by Microsoft Corporation, SystemSoft Corp., Crystal Semiconductor Corporation, Phoenix Technologies, Ltd., and ATI Technologies Inc. See the individual programs for additional copyright notices.

Microsoft, MS, MS-DOS, and Windows are registered trademarks of Microsoft Corporation. Pentium and the Intel Inside logo are U.S. registered trademarks and MMX is a U.S. trademark of Intel Corporation.

For warranty information, see the *Support and Service* booklet.

Hewlett-Packard Company
Mobile Computing Division
19310 Pruneridge Ave.
Cupertino, CA 95014

HP Software Product License Agreement

Your HP OmniBook PC contains factory-installed software programs. Please read the Software License Agreement before proceeding.

Carefully read this License Agreement before proceeding to operate this equipment. Rights in the software are offered only on the condition that the customer agrees to all terms and conditions of the License Agreement. Proceeding to operate the equipment indicates your acceptance of these terms and conditions. If you do not agree with the terms of the License Agreement, you must now either remove the software from your hard disk drive and destroy the master disks, or return the complete computer and software for a full refund.

Proceeding with configuration signifies your acceptance of the License Terms.

Unless otherwise stated below, this HP Software Product License Agreement shall govern the use of all software that is provided to you, the customer, as part of the HP computer product. It shall supersede any non-HP software license terms that may be found online, or in any documentation or other materials contained in the computer product packaging.

Note: Operating System Software by Microsoft is licensed to you under the Microsoft End User License Agreement (EULA) contained in the Microsoft documentation.

The following License Terms govern the use of the software:

Use. Customer may use the software on any one computer. Customer may not network the software or otherwise use it on more than one computer. Customer may not reverse assemble or decompile the software unless authorized by law.

Copies and Adaptations. Customer may make copies or adaptations of the software (a) for archival purposes or (b) when copying or adaptation is an essential step in the use of the software with a computer so long as the copies and adaptations are used in no other manner.

Ownership. Customer agrees that he/she does not have any title or ownership of the software, other than ownership of the physical media. Customer acknowledges and agrees that the software is copyrighted and protected under the copyright laws. Customer acknowledges and agrees that the software may have been developed by a third party software supplier named in the copyright notices included with the software, who shall be authorized to hold the Customer responsible for any copyright infringement or violation of this Agreement.

Product Recovery CD-ROM. If your computer was shipped with a product recovery CD-ROM: (i) The product recovery CD-ROM and/or support utility software may only be used for restoring the hard disk drive of the HP computer with which the product recovery CD-ROM was originally provided. (ii) The use of any operating system

software by Microsoft contained in any such product recovery CD-ROM shall be governed by the Microsoft End User License Agreement (EULA).

Transfer of Rights in Software. Customer may transfer rights in the software to a third party only as part of the transfer of all rights and only if Customer obtains the prior agreement of the third party to be bound by the terms of this License Agreement. Upon such a transfer, Customer agrees that his/her rights in the software are terminated and that he/she will either destroy his/her copies and adaptations or deliver them to the third party.

Sublicensing and Distribution. Customer may not lease, sublicense the software or distribute copies or adaptations of the software to the public in physical media or by telecommunication without the prior written consent of Hewlett-Packard.

Termination. Hewlett-Packard may terminate this software license for failure to comply with any of these terms provided Hewlett-Packard has requested Customer to cure the failure and Customer has failed to do so within thirty (30) days of such notice.

Updates And Upgrades. Customer agrees that the software does not include updates and upgrades which may be available from Hewlett-Packard under a separate support agreement.

Export Clause. Customer agrees not to export or re-export the software or any copy or adaptation in violation of the U.S. Export Administration regulations or other applicable regulation.

U.S. Government Restricted Rights. Use, duplication, or disclosure by the U.S. Government is subject to restrictions as set forth in subparagraph (c) (1) (ii) of the Rights in Technical Data and Computer Software clause in DFARS 252.227-7013. Hewlett-Packard Company, 3000 Hanover Street, Palo Alto, CA 94304 U.S.A. Rights for non-DOD U.S. Government Departments and Agencies are as set forth in FAR 52.227-19(c) (1,2).

Contents

1. Using the Dock	1-7
Mini Dock and Port Replicator Features	1-9
Understanding the Basics	1-11
To set up the dock	1-12
To dock the OmniBook	1-14
To undock the OmniBook	1-16
To manually undock the OmniBook	1-18
To set a docking password	1-19
To turn the OmniBook on and off	1-20
To attach a security cable	1-21
To create a docked hardware profile	1-23
Making Connections	1-24
To connect an external keyboard	1-24
To enable an external Fn key	1-25
To connect a PS/2 mouse	1-26
To connect a serial mouse	1-26
To connect a serial device	1-27
To connect a universal serial bus (USB) device	1-28
To connect an external monitor	1-28
To use the monitor stand with an external display	1-29
To enable the built-in and external displays	1-30
To connect a parallel device	1-30
To insert a PC card (mini dock only)	1-32
To remove a PC Card (mini dock only)	1-33
To connect your audio equipment	1-35
2. Troubleshooting	1-37
Troubleshooting	1-38
Solving Problems	1-39
3. Specifications and Regulatory Information	1-41
Specifications	1-43
Regulatory Information	1-44
U.S.A.	1-44
Canada	1-45
Japan	1-41
Europe	1-46



Using the Dock

Using the Dock

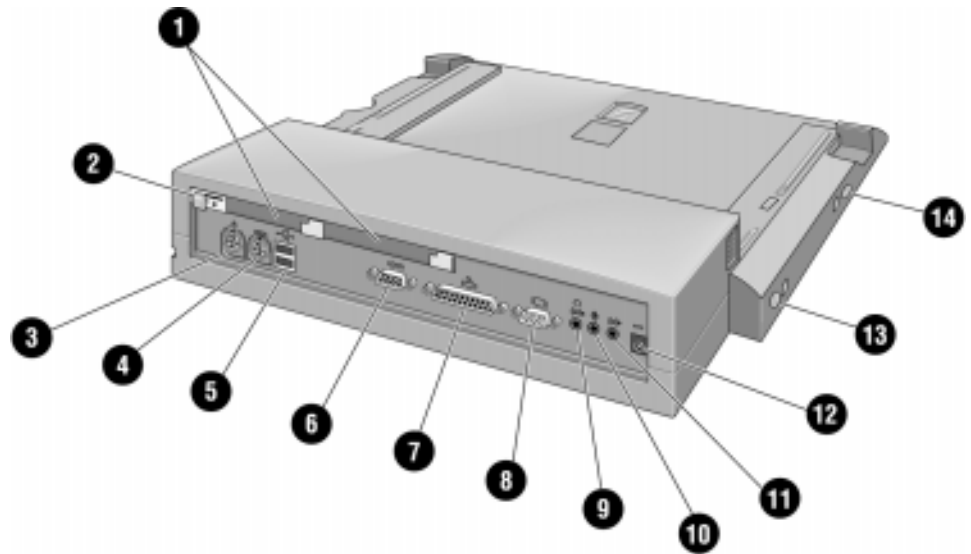
Congratulations! With the OmniBook mini dock or port replicator (referred to as dock in this manual), you can significantly increase the convenience of your OmniBook for desktop use. By making one connection—plugging your OmniBook into the dock—you can get easy access to these types of devices:

- ◆ Printer, external floppy drive, or other parallel device.
- ◆ Modem or other standard serial device.
- ◆ Universal serial bus (USB) devices.
- ◆ Type II and Type III CardBus devices (mini dock only)
- ◆ External keyboard and external mouse.
- ◆ External monitor.
- ◆ Audio connections.
- ◆ AC power.



Mini Dock and Port Replicator Features

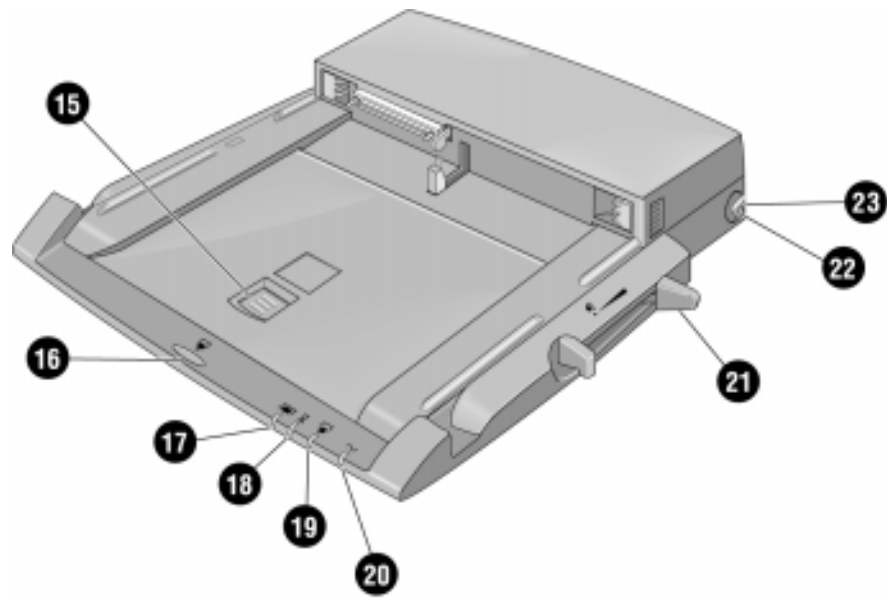
Dock rear-view



1. Two type II or type III PC card slots (CardBus enabled)
- mini dock only -
2. PC card security lock
3. Mouse port
4. Keyboard port
5. Two universal serial bus (USB) ports
6. Serial port
7. Parallel port
8. Monitor port
9. Headphones or speaker-out
10. Microphone-in
11. Audio line-in
12. AC adapter jack
13. System off button
14. Power/Suspend button

Using the Dock
Mini Dock and Port Replicator Features

Dock front-view



- 15. Tray release latch
- 16. Undock button
- 17. Docked light
- 18. Wait light
- 19. Undocked light
- 20. AC Power light
- 21. Release lever
- 22. Manual release tab
- 23. Kensington lock slot

Understanding the Basics

Docking the OmniBook to the dock is just like simultaneously adding several devices to the OmniBook. Docking causes Windows 95 to create a new hardware profile. The default hardware profile shipped with the OmniBook is an undocked profile.

Note

If you are using Windows NT on your system and your system does not have a docked hardware profile, you need to create a docked profile for your OmniBook. See *'To create a docked hardware profile'* on page 1- 23 for instructions.

This section shows you how to get your dock and OmniBook up and running quickly, including how to

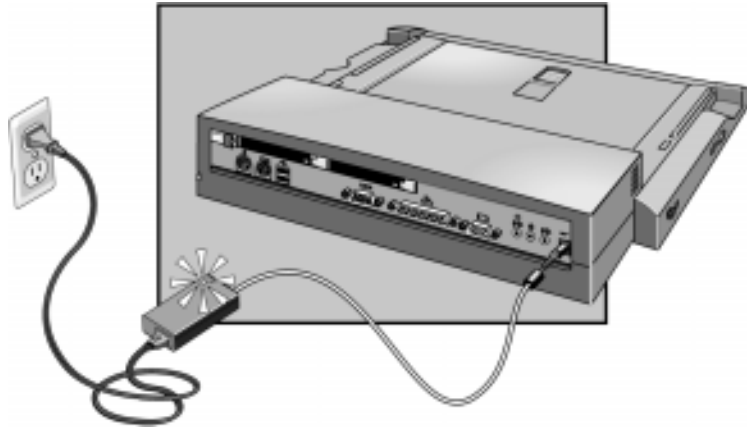
- Set up the port replicator or mini dock.
- Dock the OmniBook.
- Undock the OmniBook.
- Reset the OmniBook while docked.
- Attach a security cable.

To set up the dock

CAUTION

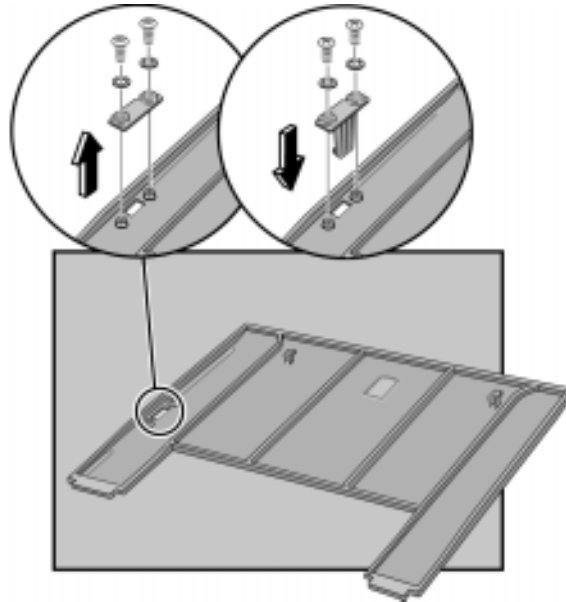
Use only an HP F1454A ac adapter with this docking product (the type shipped with this dock and OmniBooks compatible with this dock). Using any other ac adapter could damage the dock and OmniBook and may void your warranty invalid. Refer to the warranty statement for your product.

1. Plug the power cord into the ac adapter, then into an ac outlet. Plug the ac adapter into the dock.

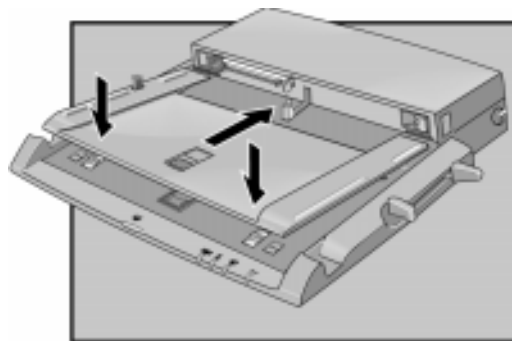


2. Select the appropriate dock tray for your OmniBook. Match the letter on the tray with the letter for your OmniBook listed on the dock label.

3. Attach the security post to the tray (optional). The security post blocks access to the OmniBook CardBus/PCMCIA cards. The security post on your tray may be in a different location from that shown below.



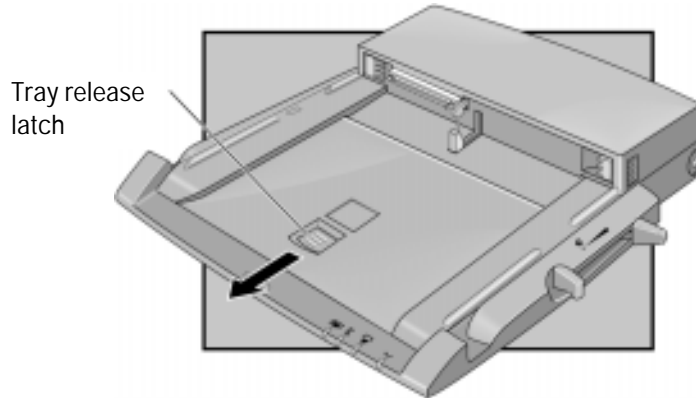
4. Insert the tabs on the back of the tray into the slots in the dock and press down on the front edge of the tray to lock it in place.



5. Connect your external devices to the dock. See "*Making Connections*" on page 1-24.

To remove a tray

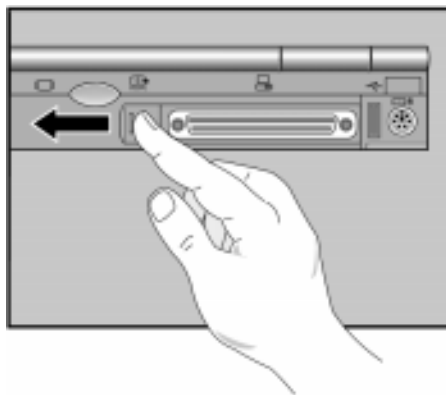
To remove a tray, slide the tray release latch forward until the tray pops up.



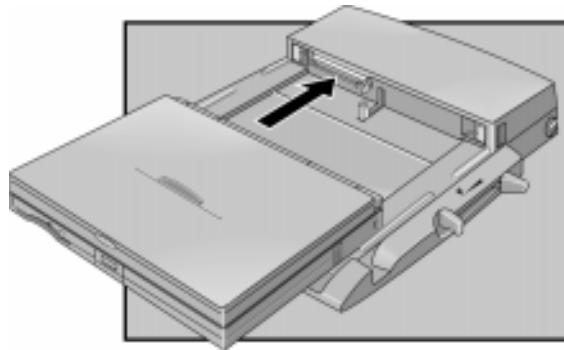
To dock the OmniBook

1. Place the dock on a flat surface.
2. Slide the OmniBook's rear port door to the left.

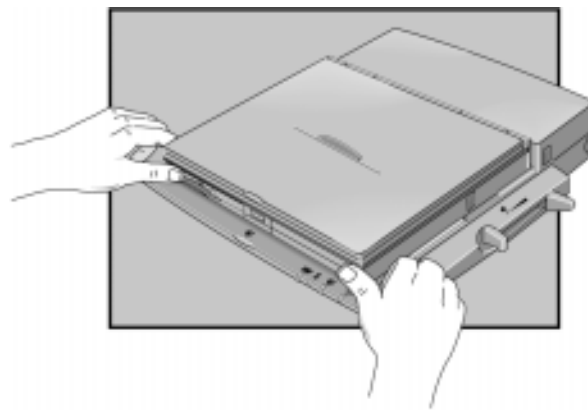
The OmniBook 4100 laptop PC rear port door opens automatically when you install it in the port replicator.



3. Place the OmniBook on the dock tray, with the back of the computer facing the dock's connector.



4. Position your fingers on the platform grips as shown below. Use your thumbs to push the computer firmly toward the dock until the OmniBook slides into place. You should hear a click, indicating that the OmniBook is locked to the dock.



When the OmniBook is properly inserted, the amber wait light turns on. When the OmniBook is ready for use, the green docked light turns on.

To undock the OmniBook

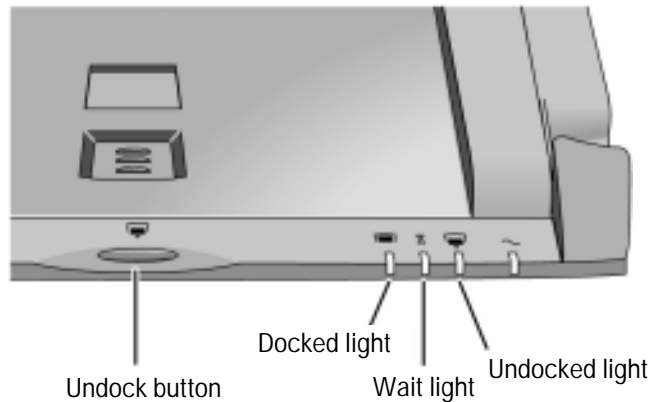
Note

If you have installed the tray security post, make sure that nothing is protruding from the OmniBook PC card slots.

1. If there is no ac power connected to the dock, turn on the OmniBook to power the dock.
2. Exit any applications that are using devices that are connected through the dock (network, USB, and PCMCIA devices.)
3. Press the undock button on the dock.

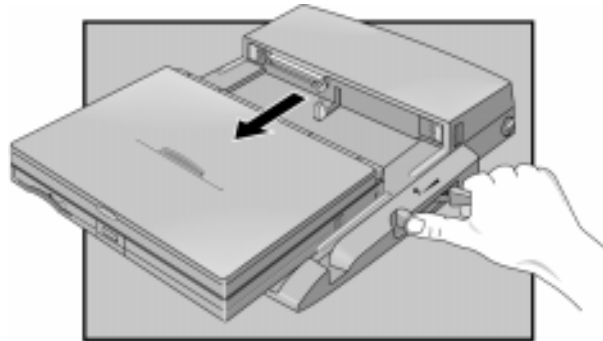
— or —

If you are using Windows 95, Click ,Eject PC.



4. If you have enabled a docking password, you will be prompted for your password. You must enter it to undock the OmniBook.
The amber wait light then turns on.

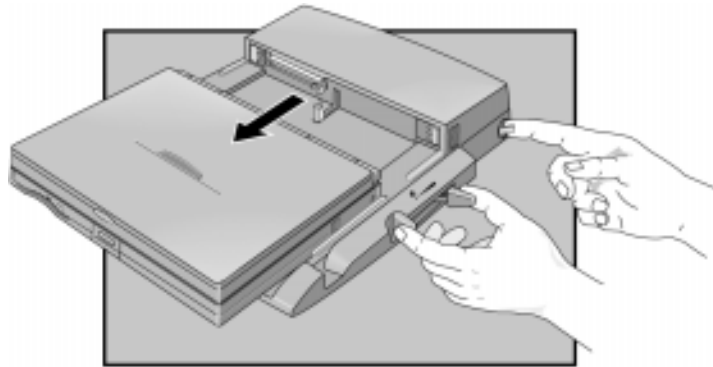
5. When you hear two beeps and the undock light flashes, pull the release lever on the right side of the dock toward the front to eject the OmniBook.
You have 30 seconds to pull the release lever. After 30 seconds, the dock relocks the OmniBook.



To manually undock the OmniBook

If you cannot undock the OmniBook using the undock button (for example, you have no ac power or battery power), you can manually undock the OmniBook. Manual undocking overrides password protection.

1. Save your work and turn off your OmniBook. If you are using Windows 95, be sure to use the shut down option from the Start menu.
2. If you are using a Kensington MicroSaver lock to secure your dock, remove the lock.
3. Pull out and hold the manual release tab on the right rear corner of the dock while pulling the release lever toward the front to eject the OmniBook.



To set a docking password

Note

An administrative password must be set before you can set a user password. Refer to the reference guide provided with your OmniBook for detailed information about setting administrative passwords.

Password security protects access to your OmniBook. If you use password security, you must enter the password at certain times (defined in Password Options). This is how to specify a docking password.

1. Close all applications, then shut down Windows and restart the OmniBook.
2. When you see the HP logo, press F2 to enter the BIOS Setup utility.
3. Use the right or left arrow keys select the Security menu, then use the up or down arrow key to select Undock password.

Note: The boot password must be enabled before you can select Undock.

4. Press F5 or F6 to select Undock: Enabled.
5. Select Set User Password and type your password.
6. Save and exit Setup.

Refer to your OmniBook reference guide for more detailed information on setting passwords.

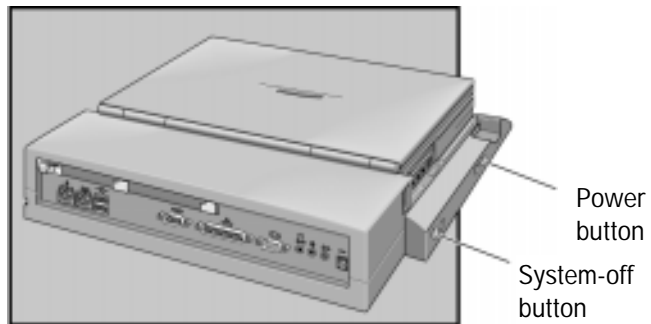
To turn the OmniBook on and off

To turn on the OmniBook:

- Press the power button on the left side of the dock.

To turn off the OmniBook without undocking.

- Close open applications and save your work.
- Properly shutdown your operating system.
- Press the system-off button on the left side of the dock. .



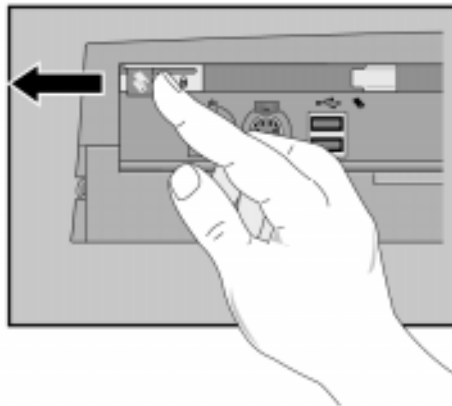
To attach a security cable

Your dock has a built-in security port that allows you to secure the dock with a cable. A Kensington MicroSaver lock system or compatible lock system works with this port and is available at many computer stores. Without a Kensington lock system, the other physical security features of your docking station, such as the PC Card lock, will not work.

NOTE

To prevent unauthorized undocking, set a docking password. See “To set a docking password” on page 1-19.

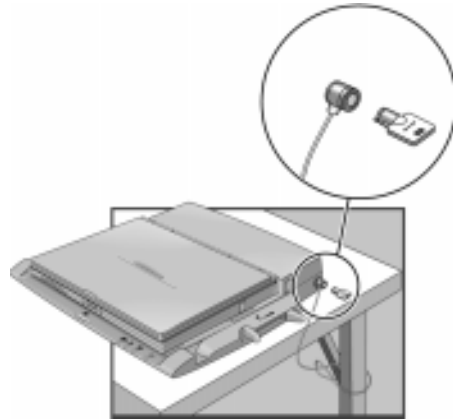
1. To secure PC cards installed in the dock, make sure the PC card eject buttons are recessed and slide the PC card security lever to the locked position (mini dock only).



2. Wrap the cable around a secure stationary object, such as a table leg, so that it cannot be removed when locked.
3. Loop the cable to create a slip knot around the stationary object.

Using the Dock
Understanding the Basics

4. Insert the lock into the dock's security port and release the key. Store the key in a safe place away from the OmniBook.



To create a docked hardware profile

When Windows NT 4.0 was installed on your system, a hardware profile was created. If you do not already have a docked profile, you can copy this original profile and customize it for your docked hardware profile.

1. Double-click the System option in the Control Panel.
2. Click the Hardware Profiles tab.
3. Click the original configuration profile, then click Copy, and enter a name for your docked configuration.
4. Click Properties on the Hardware Profiles tabs
5. Check This is a portable computer on the General tab and click The computer is docked.
6. Click OK to exit the Properties menu, then again to exit Hardware Profiles setup.
7. Shut down your Omnibook and dock it.
8. Reboot your OmniBook and select the docked profile from the list that appears at startup.
9. Click Settings, Control Panel, Devices and make sure all devices you need in the docked configuration are enabled.

You may need to install drivers for additional devices used with the dock. Refer to the documentation provided with these devices for information.

Note

Refer to your Microsoft Windows NT documentation for more information about configuring hardware profiles and installing drivers.

Making Connections

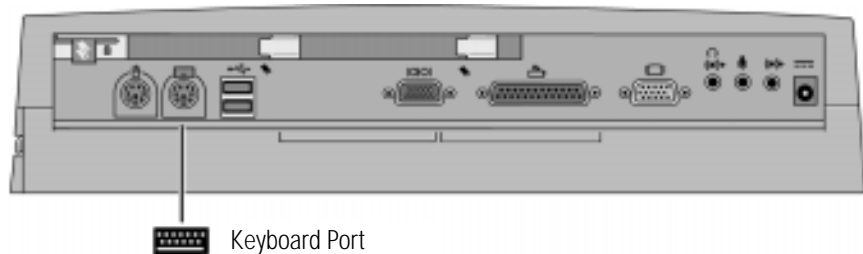
When making connections, notice that the orientation of the ports on the dock are the reverse of the OmniBook. Turn the connector cables over when switching from the OmniBook to the dock. This section describes how to connect devices to the dock, including the following:

- External keyboard.
- External PS/2 or serial mouse.
- Standard serial device (9-pin).
- Two universal serial bus (USB) devices.
- External display.
- Printer or other parallel device (25-pin).
- External microphone or audio source.
- Headphones or speakers.
- PC Cards.

To connect an external keyboard

You can use both the built-in OmniBook keyboard and an external keyboard while docked.

1. Attach the keyboard cable to the keyboard port.
2. Dock the OmniBook in the dock.



If you connect a keyboard after docking the OmniBook with power on, the keyboard may not be recognized. If this happens, suspend and then resume your OmniBook to enable the system to recognize the keyboard.

To enable an external Fn key

If you are using a dock with an external keyboard, substitute the keystrokes CTRL+ALT for Fn. If necessary, enable the external Fn key from the BIOS Setup utility. This is enabled by default.

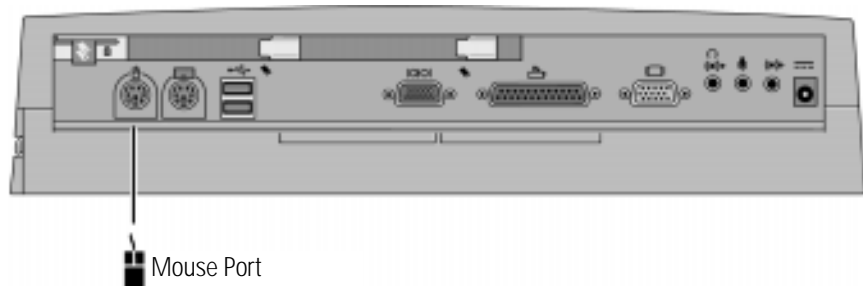
See the OmniBook's *Reference Guide* for a complete description of the BIOS Setup utility.

1. Close all applications, then shut down Windows and reboot the OmniBook. If necessary, you can press CTRL+ALT+DEL to reboot.
2. When you see the HP OmniBook logo displayed,
Press <F2> to enter Setup
3. Use the right arrow key to highlight the System Devices menu.
4. Make sure External Fn Key is enabled.
5. Press F10 to save settings and exit Setup.

To connect a PS/2 mouse

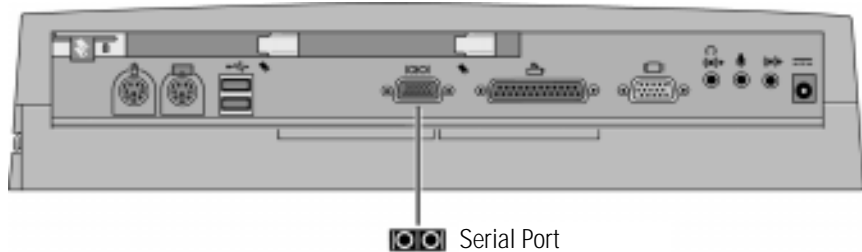
The OmniBook has a PS/2 mouse driver installed. When you dock, the OmniBook automatically detects and sets up the mouse.

1. Attach the mouse cable to the mouse port.
2. Dock the OmniBook in the dock.



To connect a serial mouse

1. Attach the serial mouse cable to the serial port.



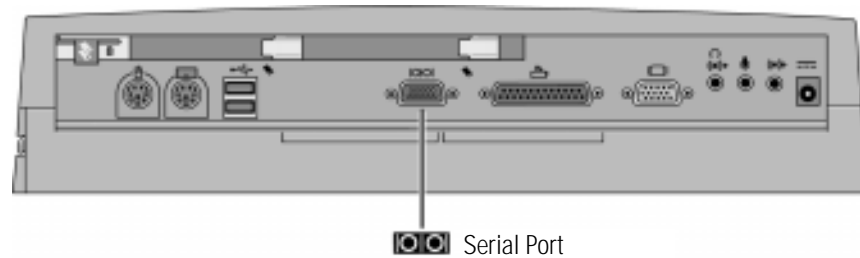
2. Dock the OmniBook in the dock.
3. Using the touch pad or pointing stick, click Start, Settings, Control Panel, Mouse, General.

4. Click Change, then select Standard Mouse Types.
5. Click OK, Close, then click Yes when prompted to restart.

To connect a serial device

Use standard serial cables and adapters available at computer dealers and electronic supply stores to connect serial devices.

1. Attach the serial cable to the serial port.
2. Dock the OmniBook in the dock.
3. If necessary, install your serial device driver. *See your Windows or device manual for instructions.*

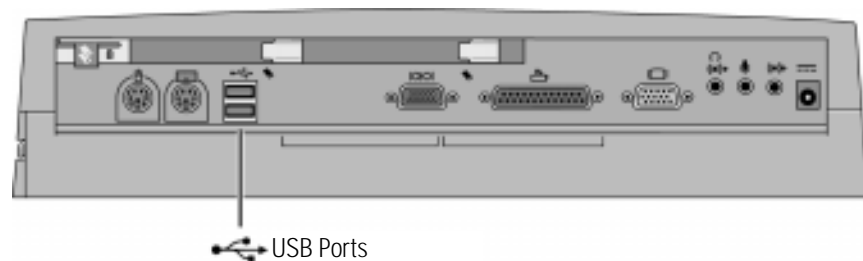


The serial port is COM1.

To connect a universal serial bus (USB) device

Universal serial bus (USB) provides a bidirectional serial interface for adding peripheral devices such as game controllers, serial and parallel ports, and scanners on a single bus. The OmniBook's dock provides two USB ports.

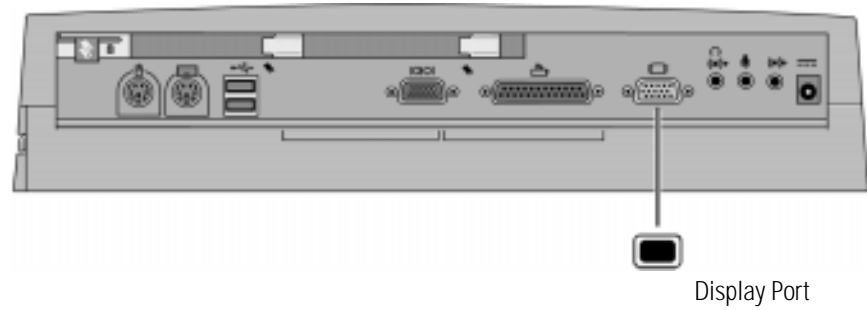
- Attach the USB cable to either the upper or lower USB port.



To connect an external monitor

Use this procedure to connect a standard VGA, SVGA, or XGA external monitor to your OmniBook.

1. Attach the display cable to the display port.
2. Dock the OmniBook in the dock. The built-in display normally turns off. If you want to run the built-in display and an external display simultaneously, see page 1-29 for instructions.



To use the monitor stand with an external display

The optional monitor stand (HP F1453A), can support a weight of 36 kg (80 lb.). When setting up the monitor stand, be sure that the wide edge faces forward, as shown below.



To enable the built-in and external displays

- Press Fn+F5 (Ctrl + Alt + F5 if using an external keyboard) to cycle through the external and built-in display options (Internal, External, Both).

—or—

1. Close all applications, then shut down Windows and reboot the OmniBook..
2. When you see the HP OmniBook logo displayed,
Press <F2> to enter Setup
3. From the Main menu, use the down arrow to highlight Video Display Device.
4. Press Enter to view choices.
5. Select Both.
6. Press F10 to save settings and exit Setup.

To connect a parallel device

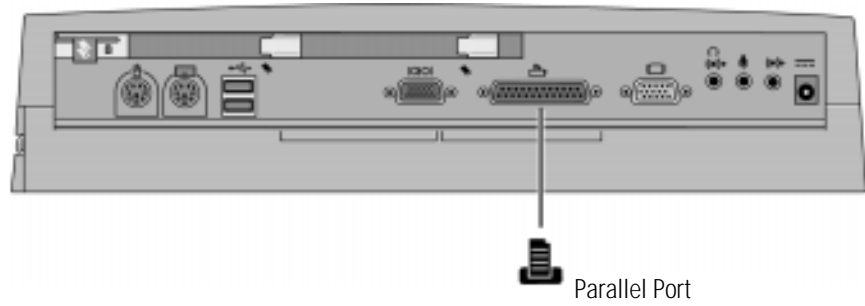
Use standard parallel cables and adapters available at computer dealers and electronic supply stores to connect parallel devices.

Hint

The floppy drive provided with some OmniBook models can be connected externally through the parallel port using an optional floppy/parallel cable.

1. Attach the parallel cable to the parallel port.
2. Dock the OmniBook pc in the dock.
3. If necessary, install your parallel device driver.
See your Windows or device manual for instructions.

Using the Dock
Making Connections



The dock's 25-pin parallel port is a standard enhanced (EPP/ECP) parallel port.

To insert a PC card (mini dock only)

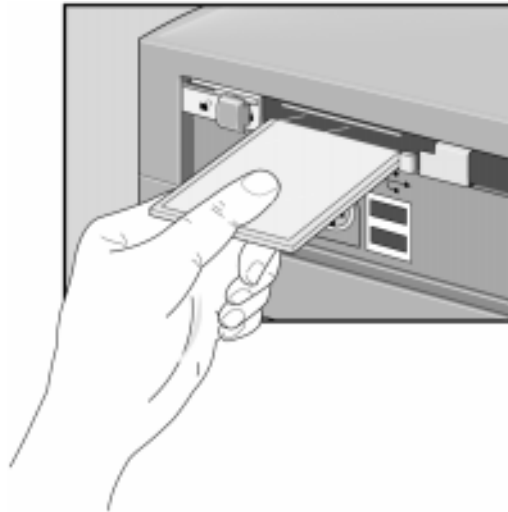
CAUTION

Do not install Card Services or Socket Services software if it comes with your PC card. The OmniBook already includes Card Services and Socket Services, which automatically detect and set up PC Cards you install in the two card slots in the dock. Different versions of this software will disrupt this service.

Never remove a plug-in card while an OmniBook PC card drive is actively reading or writing data. Wait until the PC card drive stops reading or writing. Otherwise, you could lose data or the OmniBook could stop responding.

The OmniBook automatically detects and sets up a PC Card when you insert it in a PC Card slot. See the card's instructions for additional information.

1. Hold the card with its face up and its connector holes toward the card slot.
2. Slide the PC Card into the slot until it will not go any further.



When the Omnibook recognizes the card and configures it, the OmniBook beeps twice.

Note

You can lock the cards in the dock using a Kensington lock. See page 1-21

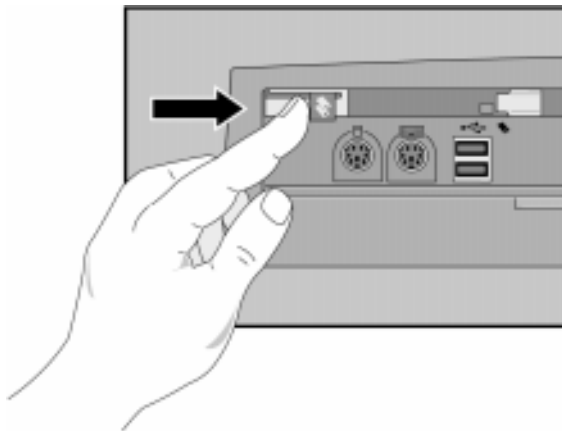
To remove a PC Card (mini dock only)

CAUTION

Never remove an I/O card while an application is open that is set up to use that card. Exit the application first. If you remove the card, the application (or the OmniBook) might behave unpredictably or stop responding until you restart the OmniBook.

Never insert or remove a plug-in card while the PC card drive is actively reading or writing data. Wait until the PC card drive is done. Otherwise, you could lose data or the OmniBook could stop responding.

1. Unlock the card slots on the rear of the dock. If you are using a Kensington MicroSaver lock to secure your dock, you must remove the lock first.



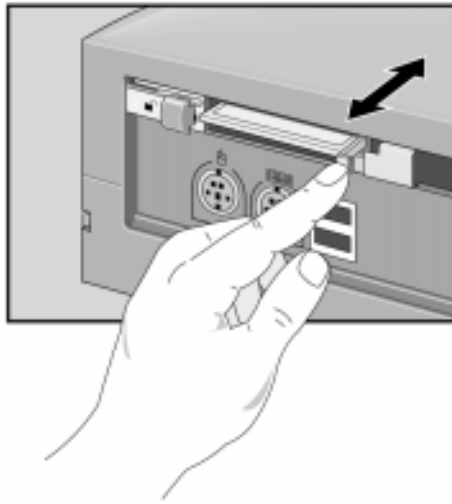
2. If you are using Windows 95, click the PC Card indicator in the taskbar, then click Stop.

If you are using Window NT, shutdown your OmniBook.

This protects your data and avoids unexpected problems.

Using the Dock
Making Connections

3. Press the ejector button until the PC card pops out, then pull out the card.

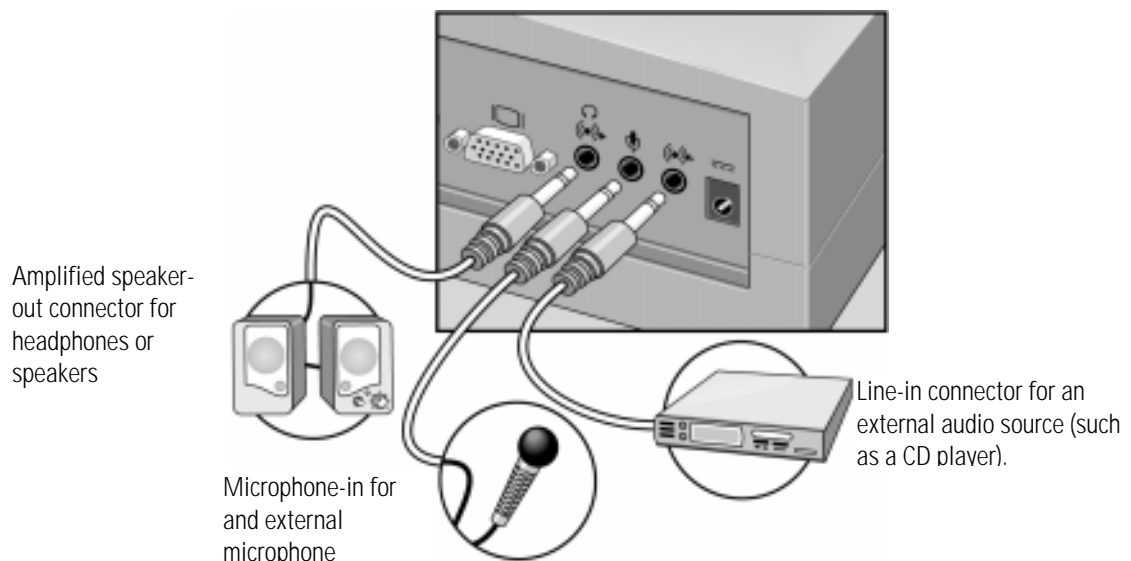


To connect your audio equipment

Note

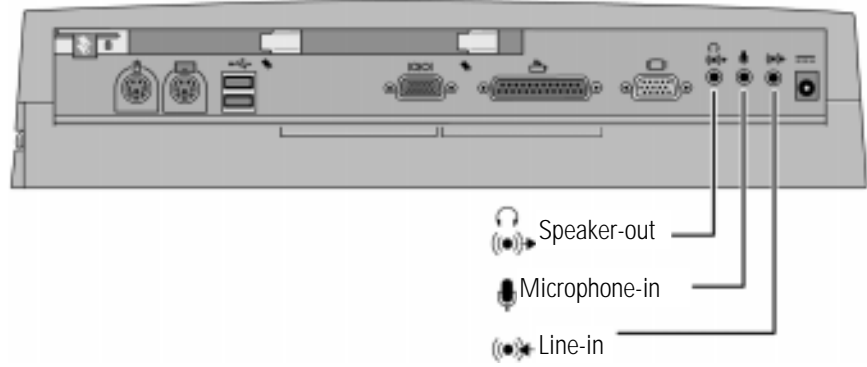
If you connect external speakers, the internal OmniBook speakers are automatically turned off. If you connect an external microphone, the internal microphone is automatically turned off.

The dock provides the following audio ports:



1. Attach the audio cable to the corresponding audio port.
2. Dock the OmniBook in the dock.

Using the Dock
Making Connections





Troubleshooting

Troubleshooting

If you have any problems with your dock, you can use the suggestions in this chapter for getting the problem resolved.

If you run into problems with your OmniBook, you can use the suggestions in this chapter for getting back on track.

If you have questions that this manual does not answer, you can

- Look at the online Help for Windows and other applications.
- Find technical information about the OmniBook on the Internet—visit the Support website at <http://www.hp.com/omnibook>.
- See other books about Windows, MS-DOS, and other applications. Check your local library or bookstore.
- Contact your dealer, or contact Hewlett-Packard—see the OmniBook *Support and Service* booklet or OmniBook Support in the online OmniBook Library.

Solving Problems

If you have a problem using the dock, find the symptom that matches your situation. Try the suggestions one at a time.

If the OmniBook does not undock after you press the undock button

- If no ac power is connected to the dock, make sure the OmniBook is turned on.
- If you are using a password, make sure it is accepted.
- If you are prompted about shutting down devices, and if no applications are using those devices, press ENTER. Otherwise, close those applications and try undocking again.
- Reboot the system and try again.
- Manually undock the OmniBook following the instructions in “To manually undock the OmniBook” on page 1-18. *Always reset the OmniBook after manually undocking.*

If you need to replace a lost or damaged power cord

- For the replacement part number for the ac adapter power cord, refer to the reference guide for your OmniBook or contact the number in the *Support and Service* booklet.

If a connection does not work

- Try connecting the device to the corresponding port on the OmniBook. This can tell you if the problem is with the dock.
- Make sure the OmniBook is fully inserted in the dock. The connection should be snug.
- Make sure the ends of the device cable are connected properly.
- Make sure the device and the dock are connected and both have power connected and turned on.
- Reboot the OmniBook.

OmniBook battery discharges while docked.

- Made sure that the ac adapter is plugged is connected to the dock and into an ac outlet.

If an external PS/2 mouse or keyboard does not work

- Make sure the mouse or keyboard is plugged into the correct port. The mouse and keyboard ports look the same. See page 1-26.
- Check that the PS/2 mouse is enabled in the BIOS Setup utility.

If you cannot hear audio devices or files

- Fn+F7 mutes the audio system. Pressing Fn+F7 again enables sound.
- Try increasing the volume. Fn + UP ARROW increases the volume.

If an external serial mouse does not work

- Check that the correct serial port is enabled in the BIOS Setup utility.

**Specifications and Regulatory
Information**

Specifications and Regulatory Information

Your OmniBook dock is designed to provide trouble-free operation. The following suggestions can help you while working with your OmniBook:

- If you have problems, see the problem-solving suggestions and references listed in chapter 2.
- Observe the temperature limits and other specifications listed in the next section.
- If you think your dock might need repair service, see the warranty and service information in the *Support and Service* booklet.

To contact Hewlett-Packard

If you have questions that the OmniBook manuals do not answer (even after looking in the contents and index), you can contact Hewlett-Packard at the address or phone number listed in the *Support and Service* booklet. Please have your OmniBook with you.

Specifications

Ports	240-pin docking connector. Parallel DB25 (EPP/ECP and floppy drive). Serial DB9 (115,200-bps). VGA port, D-sub 15-pin female connector – DDC compliant. 6-pin external keyboard connector. 6-pin external PS/2 mouse connector. Three audio jacks for Speaker-out, Line-in, and Microphone-in. 2-pin ac jack for ac adapter. 2 Type II or Type III PC Card slots (F1452A only). 2 universal serial bus (USB) ports.
Power	Powered by F1454A ac adapter. 100 to 240 Vac (50 to 60 Hz) input; 19 Vdc, 3.16A output.
Security	Kensington lock slot secures dock , OmniBook, and PC cards.
Size	
Height:	76.0 mm (3.21 in.).
Depth:	401.0 mm (12.60 in.).
Width:	396.0 mm (14.05 in.).
Weight	4.3. kg (9.4 lb).
Environmental	
Operating temperature:	5 to 35 °C (41 to 95 °F).
Storage temperature:	–20 to 50 °C (–4 to 122 °F).
Relative humidity:	10% to 90% (noncondensing).

Regulatory Information

This section presents information that shows how the dock complies with regulations in certain regions. Any modifications to the dock not expressly approved by Hewlett-Packard could void the authority to operate the dock in these regions.

This dock is for use only with the I.T.E. (Information Technology Equipment) notebook computer, models HP OmniBook 2100, 3100, 4100, and 7100.

U.S.A.

The dock generates and uses radio frequency energy and may interfere with radio and television reception. The dock complies with the limits for a Class B computing device as specified in Part 15 of FCC Rules, which provide reasonable protection against such interference in a residential installation. In the unlikely event that there is interference to radio or television reception (which can be determined by removing the unit's batteries and ac adapter), try the following:

- Reorienting or relocating the receiving antenna.
- Relocating the dock with respect to the receiver.
- Connecting the dock ac adapter to another power outlet.

Connections to Peripheral Devices

To maintain compliance with FCC Rules and Regulations, use properly shielded cables with this device.

For more information, consult your dealer, an experienced radio/television technician, or the following booklet, prepared by the Federal Communications Commission: *How to Identify and Resolve Radio-TV Interference Problems*. This booklet is available from the U.S. Government Printing Office, Washington, DC 20402, Stock Number 004-000-00345-4. At the first printing of this manual, the telephone number was (202) 512-1800.

Declaration of Conformity

Responsible Party: Hewlett-Packard Company
Manager of Corporate Product Regulations
3000 Hanover Street
Palo Alto, CA 94304
(415) 857-1501
declares that the product(s)
Trade name: Hewlett-Packard Company
Product name: HP F1451A port replicator/ HP F1452A Mini Dock
Complies with Part 15 of the FCC Rules. Operation is subject to the following two conditions:
1. This device may not cause harmful interference, and
2. This device must accept any interference received, including interference that may cause undesired operation.

Canada

This digital apparatus does not exceed the Class B limits for radio noise emissions from digital apparatus as set out in the radio interference regulations of the Canadian Department of Communications.

Le présent appareil numérique n'émet pas de bruits radioélectriques dépassant les limites applicables aux appareils numériques de Classe B prescrites dans le règlement sur le brouillage radioélectrique édicté par le Ministère des Communications du Canada.

Japan

この装置は、情報処理装置等電波障害自主規制協議会（VCCI）の基準に基づくクラスB情報技術装置です。この装置は、家庭環境で使用することを目的としていますが、この装置がラジオやテレビジョン受信機に近接して使用されると受信障害を引き起こすことがあります。

取り扱い説明書に従って正しい取り扱いをして下さい。

Europe

Products sold in Europe by Hewlett-Packard and its authorized dealers meet the specifications listed below, according to ISO/IEC Guide 22 and EN 45014. .

Declaration of Conformity (HP F1451A Port Replicator)

Manufacturer: Hewlett-Packard Company
Address: Hewlett-Packard Co.
Mobile Computing Division
1000 NE Circle Blvd.
Corvallis, OR 97330
declares that the following product

Product name: HP F1451A port replicator
Options: All
conforms to the following product specifications

Safety: IEC 950:1991+A1,A2 / EN 60950 (1992)+A1,A2
EMC: EN 50082-1:1992
CISPR 22:1993 / EN 55022 (1994): Class B [1]
IEC 801-2:1991 / prEN 55024-2 (1992): 4kV CD, 8kV AD
IEC 801-3:1984 / prEN 55024-3 (1991): 3V/m
IEC 801-4:1988 / prEN 55024-4 (1992): 0.5 kV signal lines, 1.0kV power lines

Supplementary Information: The product herewith complies with the requirements of the Low Voltage Directive 73/23/EEC , the EMC Directive 89/336/EEC IEC 825-1:1993 and carries the CE mark accordingly.
[1] The product was tested in a typical configuration with Hewlett-Packard personal computer peripherals.

Quality Department
Hewlett-Packard Company
Mobile Computing Division

Declaration of Conformity (HP F1452A Mini Dock)

Manufacturer: Hewlett-Packard Company
Address: Hewlett-Packard Co.
Mobile Computing Division
1000 NE Circle Blvd.
Corvallis, OR 97330
declares that the following product

Product name: HP F1452A Mini Dock
Options: All
conforms to the following product specifications

Safety: IEC 950:1991+A1,A2 / EN 60950 (1992)+A1,A2
EMC: EN 50082-1:1992
CISPR 22:1993 / EN 55022 (1994): Class B [1]
IEC 801-2:1991 / prEN 55024-2 (1992): 4kV CD, 8kV AD
IEC 801-3:1984 / prEN 55024-3 (1991): 3V/m
IEC 801-4:1988 / prEN 55024-4 (1992): 0.5 kV signal lines, 1.0kV power lines

Supplementary Information: The product herewith complies with the requirements of the Low Voltage Directive 73/23/EEC , the EMC Directive 89/336/EEC IEC 825-1:1993 and carries the CE mark accordingly.
[1] The product was tested in a typical configuration with Hewlett-Packard personal computer peripherals.

Quality Department
Hewlett-Packard Company
Mobile Computing Division

Index

A

ac power, 1-12
audio
 connections, 1-35
 troubleshooting, 1-40

B

BIOS Setup, 1-25
button
 power, 1-20
 system off, 1-20

C

cable
 security, 1-21
connecting, 1-27
 ac power, 1-12
 external display, 1-28
 keyboard, 1-24
 parallel device, 1-30
 PC Card, 1-32
 printer, 1-30
 PS/2 mouse, 1-26
 security cable, 1-21
 serial device, 1-27
 serial mouse, 1-26
 Type III CardBus
 devices, 1-32
 USB device, 1-28
contacting HP, 1-42
creating hardware profile,
 1-23

D

Declaration of Conformity,
 1-46
device
 audio, 1-35
 display, 1-28
 keyboard, 1-24
 parallel, 1-30
 serial, 1-27
 USB, 1-28
dimensions, 1-43
display
 external, 1-28
 troubleshooting, 1-39
dock
 setting up, 1-12
dock tray, 1-13
docking password, 1-19
docking the OmniBook,
 1-14
documentation, 1-38

E

enabling
 display device, 1-30
 external Fn key, 1-25
 serial mouse, 1-26

F

Fn key
 + F5, 1-30
 + F7, 1-40
 + up arrow, 1-40
external, 1-25

H

hardware profile, 1-23
help, 1-38

K

Kensington lock, 1-21
keyboard
 connecting, 1-24
 external Fn key, 1-25

L

license agreement, 1-3

M

undocking, 1-18
manual undocking, 1-18
MicroSaver lock, 1-21
modem, 1-27
monitor, *See* display
monitor stand, 1-29

O

OmniBook
 docking, 1-14
 documentation, 1-38
 regulatory, 1-44
 repair, 1-42
 specifications, 1-43
 support, 1-42
 turning off, 1-20
 turning on, 1-20
 undocking, 1-16
operating temperature, 1-43



P

parallel device
connecting, 1-30
troubleshooting, 1-39

password

docking, 1-19

PC Card

connecting, 1-32
removing, 1-33

ports

ac adapter, 1-12
display, 1-28
keyboard, 1-24
mouse, 1-26
printer, 1-30
serial device, 1-27
USB, 1-28

power, 1-43

power button, 1-20

protection

security cable, 1-21

PS/2 mouse

troubleshooting, 1-40

R

regulatory, 1-44

removing

PC Card, 1-33

Type III CardBus

devices, 1-33

repair, 1-42

S

security

cable, 1-21

security post, 1-13

serial

device, 1-27, 1-39

USB device, 1-28

service (repair), 1-42

software license, 1-3

specifications, 1-43

support, 1-42

Support website, 1-38

SVGA, 1-28

system off button, 1-20

T

technical specifications,

1-43

temperature, 1-43

troubleshooting, 1-39

turning off the OmniBook,
1-20

turning on the OmniBook,
1-20

U

undocking

OmniBook, 1-16

troubleshooting, 1-39

universal serial bus, 1-28

USB device, 1-28

V

VGA, 1-28

W

weight, 1-43

X

XGA, 1-28