

# Table of Contents

---

## Chapter 1 Introduction of IT5 Series Features

★ IT5V .....	1-2
● Specifications .....	1-2
● Layout diagram .....	1-4
● System block diagram .....	1-5
★ IT5H .....	1-6
● Specifications .....	1-6
● Layout diagram .....	1-8
● System block diagram .....	1-9

## Chapter 2 Installing the Mainboard

★ Standard External Connectors .....	2-3
★ Jumpers and Switches .....	2-10
★ Presentation and Installation of the CPU .....	2-11
✧ Installing Pipeline Burst SRAM .....	2-14
⊞ Installing System Memory 【DRAM Memory】 .....	2-15

## Chapter 3 Introduction to BIOS

★ CPU setup 【CPU SOFT MENU™】 .....	3-4
★ Standard CMOS Setup Menu .....	3-10
★ BIOS Features Setup Menu .....	3-12
✧ Chipset Features Setup Menu .....	3-18
⊞ Power Management Setup Menu .....	3-20
⊞ PCI & Onboard I/O Setup .....	3-24
◇ Load BIOS Defaults .....	3-30
◇ Load Setup Defaults .....	3-30
◇ Password Setting .....	3-31
★ IDE HDD Auto Detection .....	3-32

- Appendix A** Quick Installation
- Appendix B** Intel Pentium CPUs
- Appendix C** AMD-K5 CPUs
- Appendix D** Cyrix 6x86 CPUs
- Appendix E** General Discussion about HDD Installation
- Appendix F** Technical Support
- Appendix G** Flash BIOS User Instructions

# Chapter 1 Introduction of IT5 Series Features

---

The IT5 series has been especially designed for File server, Workstation and Professional users. It can support a wide range of processors, including all Intel CPUs (P54C) and Intel CPUs with MMX (P55C), as well as all AMD-K5 and Cyrix 6x86/6x86L CPUs. It also takes into account, as much as possible, all future CPUs.

This series uses **SOFT MENU™ technology**, which means that all the parameters can be configured without using DIP switches or jumpers. The configuration is entirely achieved through a “Soft Switch” that allows the user to set CPU speed and operating voltage with ease.

The IT5 series uses Intel 430VX and 430HX series chipsets, and has 256K or 512K Level-2 Pipeline Burst SRAM on board. It also provides an extension slot allowing the user to upgrade Pipeline Burst SRAM to 512K.

Two 168-pin DIMM slots and four 72-pin SIMM slots meet the requirements for all memory configurations required by high level computing. The 168-pin DIMM slots support traditional Fast Page and EDO DRAM as a memory standard for next generation 64-bit systems. The two 168-pin DIMM slots have been reserved to meet requirements for both present and future upgrades.

This series also provides two Universal Serial Bus (USB) ports and meets the Concurrent PCI Rev. 2.1 standard. It also supports IDE interface for Fast HDD (Mode 0~4), as well as IDE Bus Master. These features also meet present and future interface standards and needs.

System BIOS features include Plug-and-Play (PnP), Advanced Power Management (APM), the newest Desktop Management Interface (DMI), as well as IT5's unique CPU operating frequency and voltage setup feature in order to meet modern computing demands.

## ★ IT5V

---

### ● Specifications:

1. CPU frequency and voltage setup with **CPU “SOFT MENU™”**
  - Setup of the mainboard’s frequency and voltage without DIP Switches or Jumpers.
  - Modification of CPU operating voltage and frequency through software configuration.
  - Modification of CPU operating voltage and frequency directly on screen.
2. Uses ZIF CPU Socket 7 for easy CPU installation
  - **Three voltage regulator/cooling plate sets** for a more stable CPU operating environment
  - Supports Intel Pentium® CPUs: 75MHz to 200MHz and P55C CPUs with MMX
  - Supports all AMD sixth generation AMD-K5™ CPUs: 75MHz to 166MHz, AMD-K6™ CPUs: 200MHz and 233MHz
  - Supports all Cyrix sixth generation 6x86™ CPUs: P120+, P133+, P150+, P166+
  - Reserved circuitry supports future sixth generation CPUs
3. Chipset
  - Intel 430VX chipset
  - Supports standard version PCI 2.1
4. L2 Cache Memory
  - 256K or 512K of cache memory (Pipeline Burst SRAM)
  - Cache memory upgradeable to 512K
5. System DRAM
  - **Four** 72-pin **SIMM** sockets: support FP and EDO DRAM
  - **Two** 168-pin **DIMM** sockets: support FP, EDO and Synchronous DRAM (SDRAM)
  - DIMM sockets use PC modules (3.3V Unbuffered DRAM)
  - Up to 128MB memory configuration possible

6. System BIOS

- AWARD BIOS
- Supports Plug-and-Play (PnP)
- Supports Advanced Power Management (APM)
- Supports Desktop Management Interface (DMI)

7. Multi I/O features

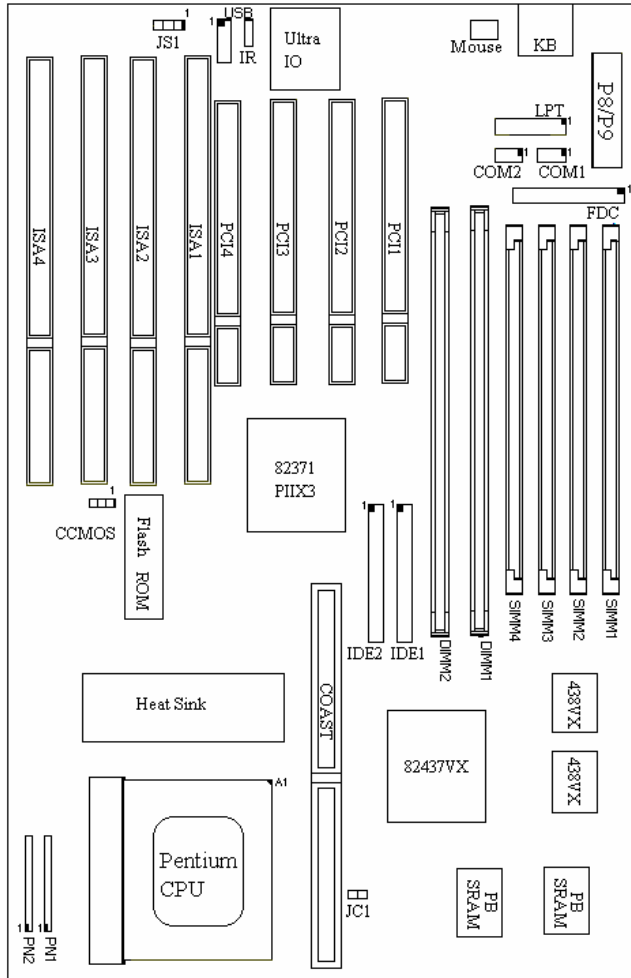
- Two Universal Serial Bus (USB) ports
- Four fast IDE channels (PIO mode 0~4 and Bus Master)
- One EPP/ECP parallel port and one 16550 serial port
- Two floppy disk drive connectors (FDD) (360K, 720K, 1.2M, 1.44M and 2.88M)

8. Other features

- Standard AT architecture dimensions
- Four ISA bus slots and four PCI bus slots
- Supports **3-MODE** for a special Japanese floppy disk drive
- Supports two bootable hard disks--able to run two different operating systems

Note: All brand names and trademarks are the property of their respective owners.

● **Layout diagram**



**AB-IT5V**

Fig 1-1 Layout diagram

● **System block diagram**

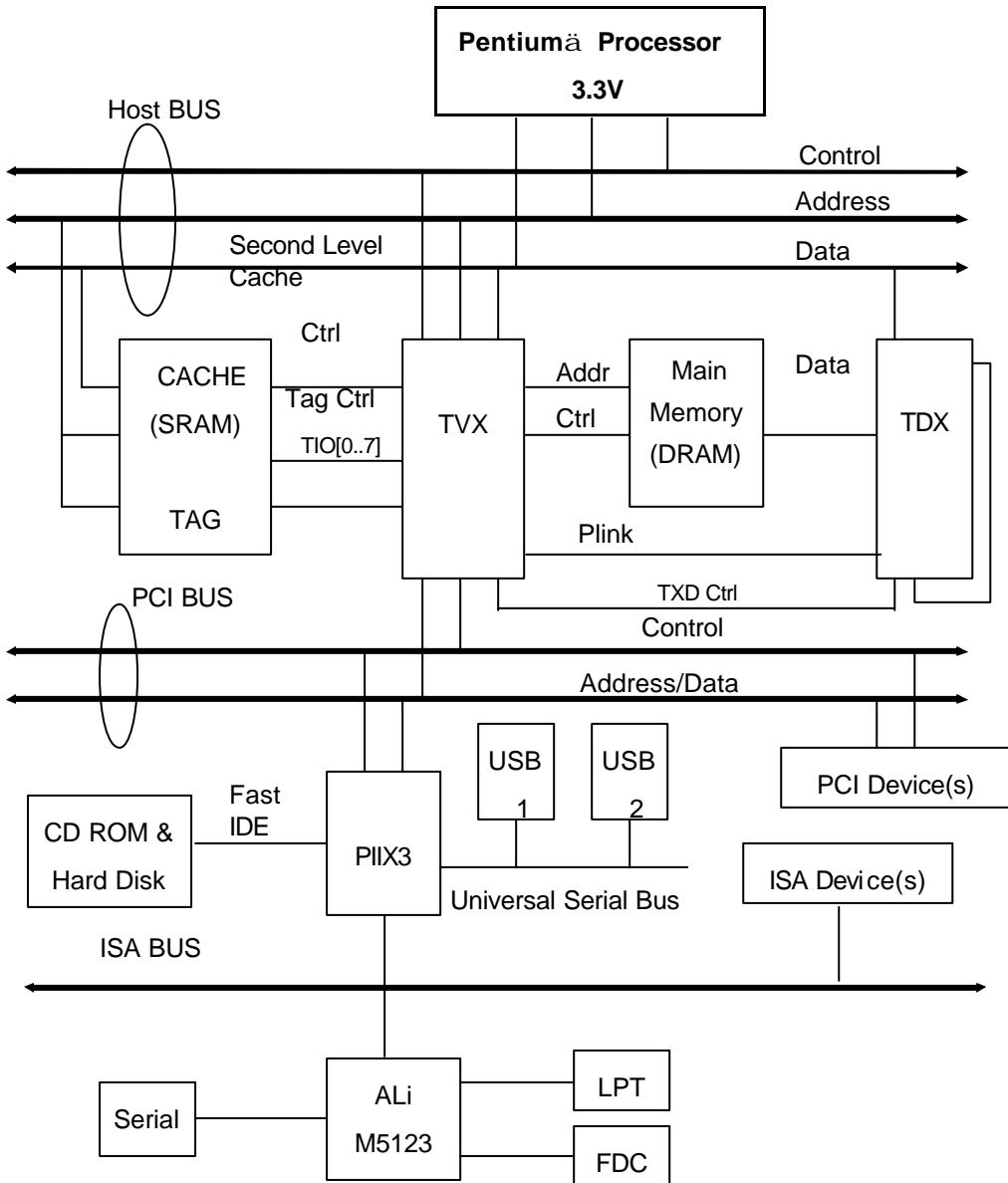


Fig. 1-2 System block diagram

## ★ IT5H

---

### ● Specifications:

1. CPU frequency and voltage configuration with CPU “SOFT MENU™”
  - Setup of the mainboard’s frequency and voltage without DIP Switches or Jumpers.
  - Modification of CPU operating voltage and frequency through software configuration.
  - Modification of CPU operating voltage and frequency directly on screen.
2. Uses ZIF CPU Socket 7 for easy CPU installation
  - **Three voltage regulator/cooling plate sets** for a more stable CPU operating environment
  - Supports Intel Pentium® CPUs: 75MHz to 200MHz and P55C CPUs with MMX
  - Supports all AMD sixth generation AMD-K5™ CPUs: 75MHz to 166MHz, AMD-K6™ CPUs: 200MHz and 233MHz
  - Supports all Cyrix sixth generation 6x86™ CPUs: P120+, P133+, P150+, P166+
  - Reserved circuitry supports future sixth generation CPUs
3. Chipset
  - Intel 430 HX chipset
  - Supports standard version PCI 2.1
4. L2 Cache Memory
  - 256K or 512K of cache memory (Pipeline Burst SRAM)
  - Cache memory upgradeable to 512K
5. System DRAM
  - **Four** 72-pin **SIMM** sockets: support FP and EDO DRAM
  - **Two** 168-pin **DIMM** sockets: support FP, EDO
  - DIMM sockets use PC modules (3.3V Unbuffered DRAM)
  - Supports error check and correction (ECC) function
  - Up to 512MB memory configuration possible



6. System BIOS

- AWARD BIOS
- Supports Plug-and-Play (PnP)
- Supports Advanced Power Management (APM)
- Supports Desktop Management Interface (DMI)

7. Multi I/O features

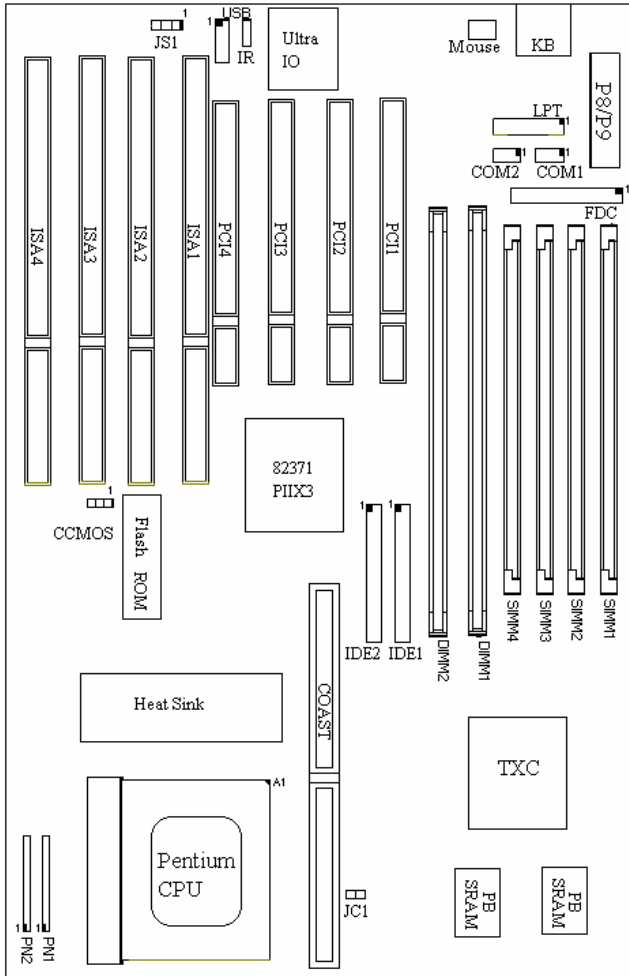
- Two Universal Serial Bus (USB) ports
- Four fast IDE channels (PIO mode 0~4 and Bus Master)
- One EPP/ECP parallel port and one 16550 serial port
- Two floppy disk drive connectors (FDD) (360K, 720K, 1.2M, 1.44M and 2.88M)

8. Other features

- Standard AT architecture dimensions
- Four ISA bus slots and four PCI bus slots
- Supports **3-MODE** for a special Japanese floppy disk drive
- Supports two bootable hard disks--able to run two different operating systems

Note: All brand names and trademarks are the property of their respective owners.

● Layout diagram



AB-IT5H

Fig. 1-3 Layout diagram

● **System block diagram**

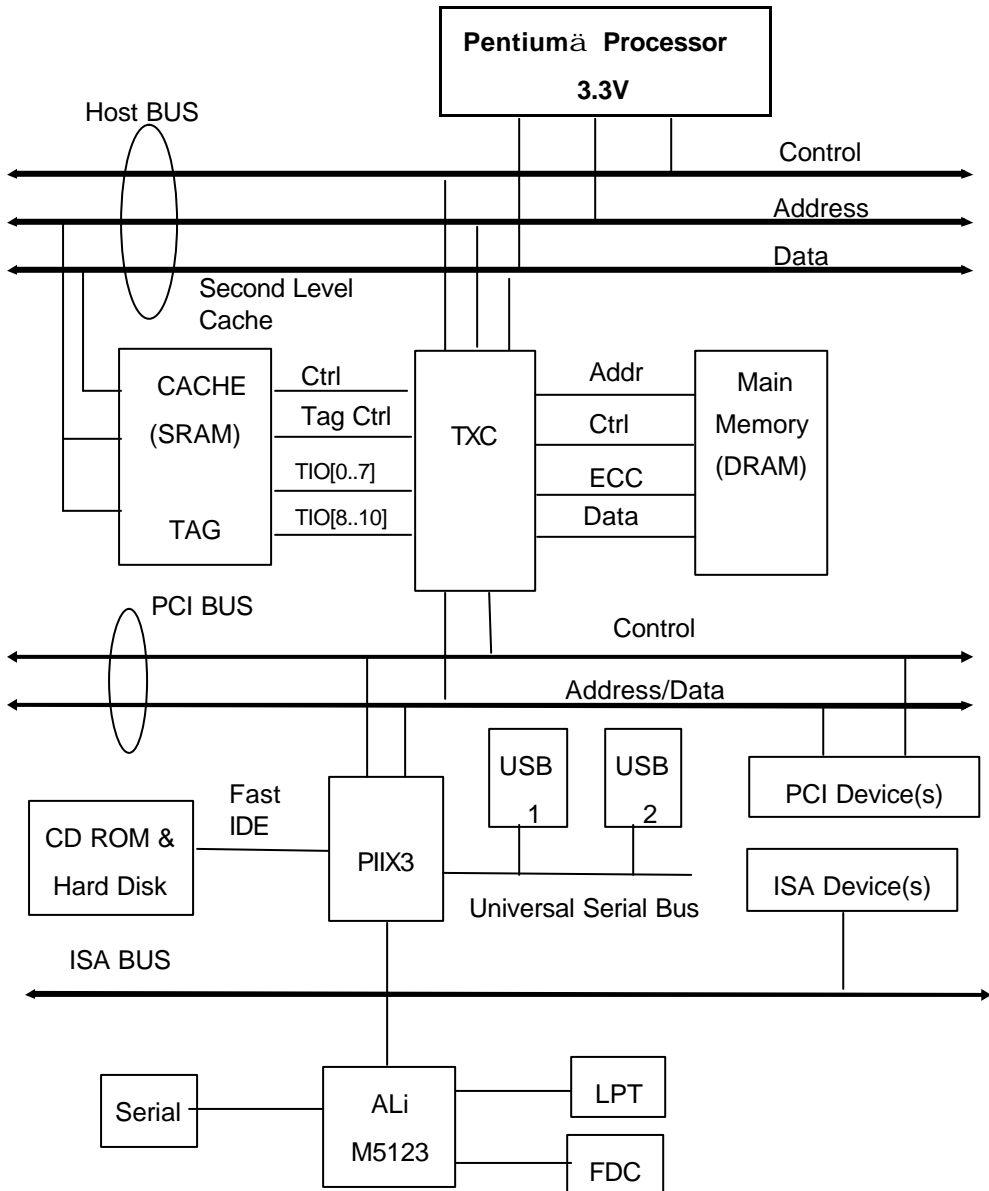


Fig. 1-4 System block diagram





## Chapter 2 Installing the Mainboard

---

This mainboard series not only provides all standard equipment for classic personal computers, but also provides great flexibility for meeting future upgrade demands. This chapter will introduce step by step all the standard equipment and will also present, as completely as possible future upgrade capabilities. This mainboard is able to support all Intel Pentium including P55C with MMX, Cyrix 6x86, 6x86L and AMD-K5 processors now on the market. (For details, see specifications in Chapter 1.) However, we cannot guarantee that the description given in this manual on the circuitry of your mainboard will work for processors not listed in Chapter 1. For example, the operating voltage of Cyrix's next generation CPUs is unknown at the present time. Thus we were not able to include these specifications in your motherboard. We will supply further information about CPU support when new CPUs arrive on the market.

This chapter is organized according the following features:

- ❶ Standard external connectors
- ❷ Jumpers and switches
- ❸ Installing the CPU--steps for installing Intel, Cyrix and AMD processors.
- ❹ Installing cache memory--If you don't want to upgrade the cache memory you can skip this chapter.
- ❺ Installing the system memory.



### **Before proceeding with the installation**

---

Before installing the mainboard please be sure to turn off or disconnect the power supply unit. Before making any modifications to the hardware configuration of the mainboard, the power supply to any areas of the mainboard you plan to modify should be turned off to avoid unnecessary damage to the hardware.



## **User friendly instructions**

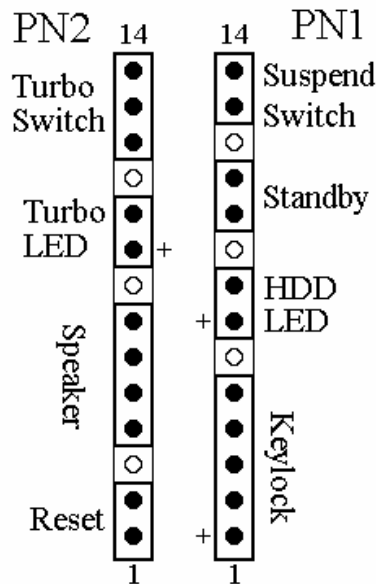
---

Our objective is to enable the novice computer user to perform the installation by themselves. We have attempted to write this document in a very clear, concise and descriptive manner to help overcome any obstacles you may face during installation. Please read our instructions carefully and follow them carefully step-by-step.



## ★ Standard External Connectors

Inside the case of any computer several cables and plugs have to be connected. These cables and plugs are usually connected one-by-one to connectors located on the mainboard. You need to carefully pay attention to any connection orientation the cables may have and, if any, notice the position of the first pin of the connector. In the explanations that follow, we will describe the significance of the first pin.



**PN1 - Keylock connector** *Please pay attention to pin position and orientation*



This connector has a specific orientation. Connect the five-thread keylock connector cable to the PN1 connector pins on the mainboard.

Pin number	Name or significance of signal
1	+5VDC
2	No connection
3	Ground
4	Keyboard inhibit Signal
5	Ground

**Computer Knowledge**

The “keylock switch” is used to lock the computer’s keyboard. This disables the keyboard so that unauthorized persons cannot use it. When this function is in use, you will need to use the unlock key to activate the keyboard.

**PN1 - IDE LED connector**

This connector has a specific orientation. Connect the two-thread IDE LED connector cable attached to the case to the IDE LED connector on the mainboard.

Pin number	Name or significance of signal
7	LED's Cathode
8	LED's Anode

**PN1 - Standby connector**

There is no specific orientation. Most of the present AT cases do not support this feature so most of you can ignore this instruction. If your case has a cable for the Standby feature, you should connect this cable to the connector on the Mainboard.

Pin number	Name or significance of signal
10	Standby power supply 【+5VSB】
11	Control signal of computer switch of the case

**Computer knowledge**

The “standby connector,” unlike the traditional mechanical switch, is an electronic way to turn the computer’s power off. To use this feature, the power supply system must permit a shutdown power supply (+5VSB), support the electronic switch feature, and must also be used with connector JS1 on the mainboard. For example, when using Windows 95, your computer will automatically shut down after having saved your work when you exit Windows. You do not need to use the mechanical switch to turn the computer off.

**PN1 - Hardware Suspend switch**

There is no specific orientation. Connect the two-thread hardware suspend plug to the PN1 connector pins on the mainboard. Since most cases do not support this feature, most of you ignore this instruction. Furthermore, this feature is not necessary as it is already a part of the mainboard.

Pin number	Name or significance of the signal
13	Suspend
14	Ground

**PN2 - Hardware Reset connector**

There is no specific orientation. Connect the two-thread hardware reset cable to the PN2 connector pins on the mainboard.

Pin number	Name or significance of signal
1	Ground
2	Hardware reset signal

**Computer knowledge**

The “Hardware Reset” is used to reset the computer during operation without turning the computer off and back on. For example, if you are running an application that stops responding to the computer, you may press the Reset button to restart the computer.

**PN2 - Speaker connector**

There is no specific orientation. Connect the four-thread speaker cable to the PN2 connector pins on the mainboard.

Pin number	Name or significance of signal
4	+5VDC
5	Ground
6	Ground
7	Sound Signal



### **PN2 - Turbo switch LED connector**

This connector has a specific orientation. Connect the two-thread turbo switch LED plug to the PN2 connector pins on the mainboard.

Pin number	Name or significance of signal
9	Anode terminal of Turbo LED
10	Cathode terminal of Turbo LED

**Computer knowledge** The “hardware Turbo LED” indicates the status of hardware operating speed.



### **JS1 - Power Control connector**

This has a specific orientation. The present power supply units of AT computer do not support this feature, so you can ignore this connector. If your power supply unit features this connector, insert plug JS1, but be sure that the signification of the signal cable is the same, and be sure to use this feature in connection with the Standby connector on connector PN1.

Pin number	Name of the signal or signification
1	Power supply control signal 【PS_ON】
2	Standby power supply 【+5VSB】
3	Ground



**FAN - CPU Fan power connector**

This has a specific orientation. Connect the three-threads CPU fan cable to the Fan connector.

Pin number	Name of the signal or signification
1	Ground
2	+12V
3	Ground

**Mouse - PS/2 Mouse connector** *Watch the pin number and the orientation*



This has a specific orientation. Connect the six-threads PS/2 Mouse cable provided to the Mouse connector on the mainboard.

Pin number	Name of the signal or signification
1	Mouse data
2	No connection
3	Ground
4	+5VDC
5	Ground
6	Mouse clock

**Computer knowledge**

The “PS/2 Mouse Port” is different from COM1 or COM2 serial ports to which you can also connect a Mouse. This mainboard features an extra PS/2 Mouse port, so when you buy a mouse, be sure that it is a PS/2 Mouse before connecting it to this port. But if you cannot find any PS/2 Mouse, you can still use COM1 or COM2 to connect a serial mouse to your computer.

**J2 - Keyboard Connector**

This has an orientation pin. Connect your keyboard connector to connector J2 on the mainboard.

Pin number	Name of the signal or signification
1	Keyboard clock
2	Keyboard data
3	No connection
4	Ground
5	+5VDC

**P8/P9 - Power input Connectors** *Watch the pin number and the orientation*



These have a specific orientation. The three warning marks indicate that if you make a mistake in pin number or connection orientation, you could destroy your equipment. During installation, you just need to connect to the correct pins and in the correct orientation, and to connect connectors P8 and P9 of the power supply unit to the connectors on the mainboard.

Pin number	Name of the signal or signification	Pin number	Name of the signal or signification
1	POWERGOOD	7	Ground
2	+5VDC	8	Ground
3	+12VDC	9	-5VDC
4	-12VDC	10	+5VDC
5	Ground	11	+5VDC
6	Ground	12	+5VDC

**IR - Infrared remote Connector** *Watch the pin number and the orientation*



This has a specific orientation. Your mainboard supports this feature, but you must buy the infrared remote device as an option.

Pin number	Name of the signal or signification
1	+5VDC
2	No connection
3	Receive data
4	Ground
5	Transmit data

**I/O Port connectors** *Watch the pin number and the orientation*

Connector name	Pin number	Name of the peripheral connected
IDE 1	40	IDE Channel 1
IDE 2	40	IDE Channel 2
FDC	34	Floppy Disk connector
LPT	26	Parallel port connector
COM1	10	Serial port COM1 connector
COM2	10	Serial port COM2 connector
USB	16	Universal Serial Bus connector

## **\* Jumpers and Switches**

---

### **CCMOS : Delete the contents of the CMOS**

This jumper is set on pins 1 and 2 at the factory, in order for the computer to function normally, so please do not change this setting. The main feature of this jumper is to solve situations where the computer crashes due to improper usage. For instance:

- You have forgotten the password you set.
- You have changed inappropriately the settings in the BIOS menu.
- You want to change the version of flash BIOS.

All these errors are very serious, you must avoid them. But if you have made one of these errors, this jumper can save your life. First turn off the power supply and open the computer case, then place the jumper on pins 2 and 3 in order to save your computer. But if you use your computer normally, you should not need to use this feature.

After you have deleted the CMOS information, the computer is saved, but you still have to go back to the BIOS Setup menu, and reset one by one all the specifications: CPU, date, hour, FDD and HDD parameters. etc., before your computer will get back into normal operation.

### **JC1 : Installing the cache memory in the cache memory extension slot (COAST)**

On delivery, the IT5 mainboard comes with a 256K or 512K cache memory. If you already have 512K, your mainboard will not need a cache extension, and you will not be able to see the extension slot. But if you have only 256K, we have reserved an extension slot which permits you to extend the cache to 512K. This is set up at the factory with no jumper, which is what we call OFF status. You will need to put the jumper in place only when you extend the cache. For more details, refer to the section which deals with cache memory.



## **☀ Presentation and Installation of the CPU**

---

### **Jumperless Mainboard** (Mainboard with no DIP Switch or Jumper)

This mainboard series can be installed with CPU without the hardware setting of the CPU.

On other boards, when you want to install the CPU, you have, more or less, to setup some jumpers or DIP switches. With this mainboard, you will not need to adjust any jumper or switch. The CPU speed and model is set up by software, in order to allow the user to complete setup and installation procedures easily. After you have inserted the CPU on the CPU socket, you can close the computer case and turn the computer on. You just need to enter the **CPU SOFT MENU™** located in the BIOS Setup, and to setup the speed and the voltage of the CPU to complete the installation. Even if you don't need to setup any switch, we recommend you to read our presentation of the CPUs, it will be useful information for you.

Since 1996, every two or three months, Intel adds new models to the Pentium CPU series. That is why the CPU market is filled with a lot of different models and brands. All CPUs have different electrical specifications. That's why installing a CPU is becoming more and more complex. You can't help that, because everybody wants to be able to upgrade its hardware. So, you have to take a bit of time to read this section, in order to be able to install a cheaper and better processor.

This mainboard does not only support all the CPUs listed in the specifications, but also has reserved several circuits in order to be able to support future processors. But before we go further in our presentation, we must clarify that "we have only tested the CPUs listed in Chapter 1", we cannot guarantee that this board will be able to support future products, because we cannot forecast future developments. But we will do our best to support any possible CPU.

### **Related terminology :**

#### External clock

Also referred to as the external CPU clock, or "Bus clock", it is the input clock of the CPU. For instance, Intel Pentium P90, P120 and P150 all have a 60MHz external CPU clock, but have different internal clock

multiplier factors.

**Clock multiplier factor**

The real operation clock within the CPU is the multiple of the external clock. We refer to this factor as the clock multiplier factor. The four factors possible are 1.5, 2, 2.5 and 3. The factor differs from one CPU to another. For instance, the Intel Pentium 166 CPU has a 66MHz external clock, with a multiplier factor of 2.5, so that the speed of the internal clock is 66MHz x 2.5.

**Internal clock**

Also referred to as the real internal CPU clock, it is the actual internal operating clock of the CPU. The Internal Clock is a multiple of the external clock and of the clock multiplier factor. For instance, the Intel Pentium 90 CPU has a 60MHz external clock and its clock multiplier factor is 1.5; the Intel Pentium P133 CPU has a 66MHz external clock and its clock multiplier factor is 2.

Internal CPU clock = clock multiplier factor x external CPU clock

**AT Bus clock**

Also referred to as ISA SPEED, or AT CLOCK, or even ISA Bus clock. Ten years ago, the original specification of AT Bus clock installed in the first generation PC/AT computers was 8MHz, this means that there are some interface cards which can only work at 8MHz. In order to guarantee compatibility with older hardware, we still support 8MHz AT Bus clock, but if your interface card is newer or faster, you can choose a higher speed for the AT Bus clock, in order to increase the transmission rate of the interface cards. But we recommend you not to be too ambitious. An 8MHz setup ensures maximum compatibility.

**CPU Voltage - Vcore and Vio**

From the voltage point of view, 586 series CPU can be divided into two categories: single voltage CPU and dual voltage CPUs. Single voltage CPUs include: Intel Pentium P54C series, AMD-K5 and Cyrix 6x86, etc. Dual voltage CPUs include: Intel P55C with MMX, future AMD CPUs, Cyrix 6x86L and M2.

The voltage of dual voltage CPUs has two components: Vcore and Vio. Vcore provides all the power for internal processing, and its power consumption is quite important. Vio provides the power necessary for the external interface of the CPU.

### P-Rating

The P-Rating was defined by some manufacturers other than Intel to rate the performance of their CPU in comparison with Intel Pentium CPUs. For instance, Cyrix 6x86 P166+ has a higher actual speed compared with Intel Pentium P166, its internal clock needs only 133MHz versus 166MHz for Intel's product. The main reason is that Cyrix has improved the internal architecture of the 6x86 CPU, which means that with the same internal clock speed, the actual clock speed will be different.

Having read the related terminology above, please refer to the information in appendices B, C or D for the type and specifications of your own CPU. We suggest that you note down these specifications, which will help you when you install the CPU.

### **CPU Settings:**

**! ! CPU SOFT MENU ! !**

To configure the speed and the voltage of the CPU, you must enter to the **CPU SOFT MENU** in BIOS Setup.

## **✳ Installing Pipeline Burst SRAM**

---

This mainboard features a 256K or 512K cache memory. It also features a cache memory extension socket (COAST) in order to permit you to upgrade 256K cache to 512K, and this with only one JC1 to choose from. Installation is very easy. Refer to the table below:

Configuration	With 32K32 SRAM	With 64K32 SRAM	Cache socket	Cache total	JC1 settings
Mode 1	NO	NO	NO	0K	OFF
Mode 2	YES	NO	NO	256K	OFF
Mode 3	YES	NO	256K module	512K	ON
Mode 4	NO	NO	256K module	256K	OFF
Mode 5	NO	NO	512K module	512K	ON
Mode 6	NO	YES	NO	512K	OFF

- 【Notes】**
1. If your mainboard features a 512K cache when it is delivered from the factory (Mode 6 in the table), the mainboard will not have any cache extension slot (COAST) or JC1 jumper.
  2. The configurations listed in the table are all the possible configurations reserved when the board was designed. The actual configuration when the board is delivered depends mainly on the demands of the market.

## ✚ Installing System Memory 【 DRAM Memory 】

---

When this mainboard was designed, we not only have taken into account the present needs, but we have also tried to care about demands for future upgrades:

1. Two 168-pin DIMM sockets:  
Within 3 to 5 years, you may not be able to buy 72-pin SIMM memory modules anymore, just as now you cannot find 30-pin SIMM memory modules anymore. If you want to extend your memory capacity, you will have no solution other than to use 168-pin 3.3V unbuffered DIMM sockets.
2. Four 72-pin SIMM sockets:  
Currently, the most common memory modules on the market are 72-pin SIMM modules. The four 72-pin SIMM sockets of this mainboard will meet your needs.
3. Easy installation  
You just need to insert the modules, without the help of God. Isn't it great?

Besides the features mentioned above, you can use simultaneously 72-pin SIMM modules and 168-pin DIMM modules, but you will rarely encounter this kind of configuration. Before you proceed with installation, be patient, first read what follows:

- 1. Factory default setting of the mainboard is for 70ns FP or EDO modules.**

If your memory modules are faster than 70ns, say 60ns or 45ns, you can modify the BIOS settings in order to speed up the operating speed of the system. But if you don't want to modify these settings, or if you don't know how to modify them, it's no big deal.

But if you set the external CPU clock at 66MHz or more, we recommend you use 60ns or even faster DRAM modules.

- 2. Memory error check and correction feature on this mainboard.**

**IT5V : No support.** Since the Intel 430VX chipset does not support this feature, since the memory error check and correction feature may not be effective, and since you cannot easily find memory modules with memory check and correction feature, this mainboard does not support it.

**IT5H : Support.** In a server or network environment, demands regarding system stability and data security are higher, that is why these systems have to rely on hardware security supported by software, and that is also the reason why this mainboard features automatic memory error check and correction.

**3. Maximum memory capacity supported by this mainboard.**

**IT5V :** 128M Bytes. It is the upper limit supported by the 430 VX chipset.

**IT5H :** 512M Bytes. It is the upper limit supported by the 430 HX chipset.

**Computer Knowledge**

**【 Relationships between memory modules and Pentium CPUs 】**

Pentium, 6x86 and AMD-K5 are all 64 bit CPUs, but 72-pin SIMM modules are only 32-bit. That's why they have to be used in pairs, because the CPU will always be only able to see 64 bits. This means that 72-pin SIMM modules have to be installed in pairs. For instance, SIMM1 and SIMM2 must form a pair, and SIMM3 and SIMM4 must form another pair. Of course, the two members of a pair must be of the same kind **【 EDO or FP DRAM 】** , and you cannot use pairs from different "species".

But this series supports different "pairs" and use different type of memory modules, notice:

- **【 SIMM1 and SIMM2 】** must use the same memory type, as well as **【 SIMM3 and SIMM4 】** .

- **【SIMM1 and SIMM2】** use the same memory type, and **【SIMM3 and SIMM4】** can use the same type, or a different type, in order to permit you to obtain the best speed configuration for each “single” pair, and to make the system work at its maximum capacity. If one memory pair is slower, it will have no influence on the pair whose speed is higher.

168-pin DIMM modules are 64 bit, so you can use single modules. On the IT5V mainboard, these modules can support not only EDO and FP DRAM, but also Synchronous DRAM memory configurations. The IT5H mainboard does not support SDRAM.

When you install DIMM modules on the mainboard, you don't have to setup anything, just be sure that you use 3.3V unbuffered 168-pin DIMM modules. and insert them in the memory socket.

### **Computer knowledge**

#### **【 168-pin DIMM modules specifications 】**

According to the standards defined by JEDEC, there are a lot of different types of specifications for 168-pin DIMM sockets. Here are the possible types:

- 3.3V UNBUFFERED DIMM
- 3.3V BUFFERED DIMM
- 5V UNBUFFERED DIMM
- 5V BUFFERED DIMM

These types of DIMM modules differ not only by the electrical design, but also by their architecture. So, if you buy different types of DIMM modules, you will not be able to insert them in the DIMM sockets. Currently, the standard for PC is 3.3V UNBUFFERED DIMM, which is the standard supported by this series.

After installing the DRAM, the BIOS of the mainboard will automatically detect the size of the memory installed on the mainboard. Below is a list of all the possible situations:



Scenario 1: You use only 72-pin SIMM modules:

- The maximum memory size is 128M bytes.
- Support possible for single density or double density memory modules.
- Memory modules supported: 1Mx32 **【4M】** , 2Mx32 **【8M】** , 4Mx32 **【16M】** or 8Mx32 **【32M】** .
- **【SIMM1 and SIMM2】** is the first pair, **【SIMM3 and SIMM4】** is the second pair. Usually, you first insert the first pair, than the second pair, but it is possible to do the reverse.
- You can also directly refer to table 2-1.

Scenario 2: You use only 168-pin DIMM modules:

- The maximum memory size is: IT5V: 128M Bytes.  
IT5H: 256M Bytes.
- Support possible for single density or double density memory modules.
- Memory modules supported: 1Mx64 **【8M】** , 2Mx64 **【16M】** or 4Mx64 **【32M】** .
- DIMM1 is the first pair, DIMM2 is the second pair. Usually, you first insert modules in DIMM1 socket, than in DIMM2 socket, but it is possible to do the reverse.
- You can also directly refer to table 2-2.

Scenario 3: You use 72-pin SIMM modules and 168-pin DIMM modules:

- The maximum memory size is: IT5V: 128M Bytes.  
IT5H: 512M Bytes.
- Support possible for single density or double density memory modules.
- Memory modules supported: Refer to case 1 and case 2 above.
- Support possible for mixed use of single density and double density modules.
- Since there is a lot of possible configurations, no table is given.

System DRAM	IT5V	IT5H
72-pin SIMM socket	4 SIMM	4 SIMM
Support FP DRAM	Yes	Yes
Support EDO DRAM	Yes	Yes
168-pin DIMM specifications	3.3V Unbuffered	3.3V Unbuffered
168-pin DIMM socket	2 DIMMs	2 DIMMs
Support FP DRAM	Yes	Yes
Support EDO DRAM	Yes	Yes
Support synchronous DRAM (SDRAM)	Yes	No
DRAM Error Check	No	ECC/Parity
Maximum memory size	128MB	512MB

**Table 2-1** 72-pin SIMM Module Installation

<b>【 SIMM1, SIMM2 】</b>	<b>【 SIMM3, SIMM4 】</b>	Total memory size
1 <sup>st</sup> pair <b>【 or 2<sup>nd</sup> pair 】</b>	2 <sup>nd</sup> pair <b>【 or 1<sup>st</sup> pair 】</b>	
No module inserted	1Mx32 <b>【 4Mx2 】</b>	8MB
	2Mx32 <b>【 8Mx2 】</b>	16MB
	4Mx32 <b>【 16Mx2 】</b>	32MB
	8Mx32 <b>【 32Mx2 】</b>	64MB
	16Mx32 <b>【 64Mx2 】</b>	128MB*
1Mx32 <b>【 4Mx2 】</b>	No module inserted	8MB
2Mx32 <b>【 8Mx2 】</b>		16MB
4Mx32 <b>【 16Mx2 】</b>		32MB
8Mx32 <b>【 32Mx2 】</b>		64MB
16Mx32 <b>【 64Mx2 】</b>		128MB*
Since the installation described above is valid for the first pair as well as for the second pair, it will not be repeated.		
1Mx32 <b>【 4Mx2 】</b>	1Mx32 <b>【 4Mx2 】</b>	16MB
	2Mx32 <b>【 8Mx2 】</b>	24MB
	4Mx32 <b>【 16Mx2 】</b>	40MB
	8Mx32 <b>【 32Mx2 】</b>	72MB
	16Mx32 <b>【 64Mx2 】</b>	136MB *
2Mx32 <b>【 8Mx2 】</b>	1Mx32 <b>【 4Mx2 】</b>	24MB
	2Mx32 <b>【 8Mx2 】</b>	32MB
	4Mx32 <b>【 16Mx2 】</b>	48MB
	8Mx32 <b>【 32Mx2 】</b>	80MB
	16Mx32 <b>【 64Mx2 】</b>	144MB *
4Mx32 <b>【 16Mx2 】</b>	1Mx32 <b>【 4Mx2 】</b>	40MB
	2Mx32 <b>【 8Mx2 】</b>	48MB
	4Mx32 <b>【 16Mx2 】</b>	64MB
	8Mx32 <b>【 32Mx2 】</b>	96MB
	16Mx32 <b>【 64Mx2 】</b>	160MB *
8Mx32 <b>【 32Mx2 】</b>	1Mx32 <b>【 4Mx2 】</b>	72MB
	2Mx32 <b>【 8Mx2 】</b>	80MB
	4Mx32 <b>【 16Mx2 】</b>	96MB
	8Mx32 <b>【 32Mx2 】</b>	128MB
	16Mx32 <b>【 64Mx2 】</b>	192MB *
16Mx32 <b>【 64Mx2 】</b>	1Mx32 <b>【 4Mx2 】</b>	136MB *
	2Mx32 <b>【 8Mx2 】</b>	144MB *
	4Mx32 <b>【 16Mx2 】</b>	160MB *
	8Mx32 <b>【 32Mx2 】</b>	192MB *
	16Mx32 <b>【 64Mx2 】</b>	256MB *

\*: indicates that only IT5H supports this configuration.

Perhaps you have already found out the rules from the table above. This table, we believe, contains all possible configurations. In fact, you just need to insert two or four 72-pin SIMM modules in the socket to complete the installation.

**Table 2-2** 168-pin DIMM Module Installation

【 DIMM1 】	【 DIMM2 】	Total memory size
1 <sup>st</sup> pair 【 or 2 <sup>nd</sup> pair 】	2 <sup>nd</sup> pair 【 or 1 <sup>st</sup> pair 】	
No module inserted	1Mx64 【 8M 】	8MB
	2Mx64 【 16M 】	16MB
	4Mx64 【 32M 】	32MB
	8Mx64 【 64M 】	64MB
	16Mx64 【 128M 】	128MB*
1Mx64 【 8M 】	No module inserted	8MB
2Mx64 【 16M 】		16MB
4Mx64 【 32M 】		32MB
8Mx64 【 64M 】		64MB
16Mx64 【 128M 】		128MB*
Since the installation described above is valid for the first pair as well as for the second pair, it will not be repeated.		
1Mx64 【 8M 】	1Mx64 【 8M 】	16MB
	2Mx64 【 16M 】	24MB
	4Mx64 【 32M 】	40MB
	8Mx64 【 64M 】	72MB
	16Mx64 【 128M 】	136MB*
2Mx64 【 16M 】	1Mx64 【 8M 】	24MB
	2Mx64 【 16M 】	32MB
	4Mx64 【 32M 】	48MB
	8Mx64 【 64M 】	80MB
	16Mx64 【 128M 】	144MB*
4Mx64 【 32M 】	1Mx64 【 4Mx2 】	40MB
	2Mx64 【 8Mx2 】	48MB
	4Mx64 【 16Mx2 】	64MB
	8Mx64 【 64M 】	96MB
	16Mx64 【 128M 】	160MB*
8Mx64 【 64M 】	1Mx64 【 4Mx2 】	72MB
	2Mx64 【 8Mx2 】	80MB
	4Mx64 【 16Mx2 】	96MB
	8Mx64 【 64M 】	128MB
	16Mx64 【 128M 】	192MB*
16Mx64 【 128M 】	1Mx64 【 4Mx2 】	136MB
	2Mx64 【 8Mx2 】	144MB
	4Mx64 【 16Mx2 】	160MB
	8Mx64 【 64M 】	192MB
	16Mx64 【 128M 】	256MB*

\*: indicates that only IT5H supports this configuration.

In fact, the table above shows that you just need to insert the DIMM module in any of the two sockets to complete the installation of the memory.






## **Chapter 3 Introduction of BIOS**

---

The BIOS is a program located on a Read-Only Memory chip on the mainboard. This program will not be lost when you turn the computer off. This program is also referred to as the boot program. It is the only channel for the hardware circuit to communicate with the operating system. Its main function is to manage the setup of the mainboard and interface cards parameters, including simple parameters such as time, date, hard disk drive, as well as more complex parameters such as hardware synchronization, device operating mode, CPU SOFT MENU™ techniques, setup of CPU voltage and speed. The computer will operate normally, or will operate at its best, only if all these parameters are correctly configured through the BIOS.

 **Don't change the parameters inside the BIOS unless you know what you are doing**

The parameters inside the BIOS are used to setup the hardware synchronization or the device operating mode. If the parameters are not correct, they will produce errors, the computer will crash, and sometimes you will even not be able to boot the computer after it has crashed. We recommend that you do not change the parameters inside the BIOS unless you are familiar with them. If you are not able to boot your computer anymore, please refer to the section "Erase CMOS data" in Chapter 2.

When you start the computer, it is controlled by the BIOS program. The BIOS first operates an auto-diagnostic for all the necessary hardware, configures the parameters of the hardware synchronization, and detects all the hardware. Only when these tasks are completed does it give up control of the computer to the program of the next level, which is the operating system. Since the BIOS is the only channel for hardware and software to communicate, it will be the key factor to system stability, and to ensure that your system performs at its best. After the BIOS has achieved the auto-diagnostic and auto-detection operations, it will display the following message:

**TO ENTER SETUP BEFORE BOOT PRESS CTRL-ALT-ESC OR DEL KEY**

Three to five seconds after the message is displayed, if you press the **Del** key, or if you press simultaneously the **Ctrl Alt Esc** keys, you will access the BIOS Setup menu. At that moment, the BIOS will display the following message:

ROM PCI/ISA BIOS(XXXXXXXX)  
CMOS SETUP UTILITY  
AWARD SOFTWARE, INC.

!! CPU SOFT MENU !!	LOAD SETUP DEFAULTS
STANDARD CMOS SETUP	LOAD BIOS DEFAULTS
BIOS FEATURES SETUP	PASSWORD SETTING
CHIPSET FEATURES SETUP	IDE HDD AUTO DETECTION
POWER MANAGEMENT SETUP	SAVE & EXIT SETUP
PCI & ONBOARD I/O SETUP	EXIT WITHOUT SAVING
ESC : Quit	: Select Item
F10: Save & Exit Setup	(Shift)F2: Change color
Description of each function	

Fig 3 BIOS Setup main menu

In the BIOS Setup main menu of Figure 3, you can see several options. We will explain these options step by step in the following pages of this chapter, but let us first see a short description of the function keys you may use here:

- Press **Esc** to quit the BIOS Setup.
- Press (up, down, left, right) to choose, in the main menu, the option you want to confirm or to modify.
- Press **F10** when you have completed the setup of BIOS parameters to save these parameters and to exit the BIOS Setup menu.
- Press Page Up/Page Down or +/- keys when you want to modify the BIOS parameters for the active option.



**Computer  
knowledge**

**CMOS DATA**

Maybe you have heard somebody saying that their CMOS DATA was lost. What is the CMOS? Is it important? The CMOS is the memory used to store the BIOS parameters that you have configured. This memory is passive. You can read its data, and you can also store data in it. But this memory has to be powered by a battery, in order to avoid any loss of its data when the computer is turned off. Since you may have to change the CMOS battery when it is out of power and in doing so, you will lose all CMOS data, therefore, we recommend that you write down all the parameters of your hardware, or to put a label with these parameters on your hard disk.

## ★ CPU setup 【 CPU SOFT MENU™ 】

The CPU can be setup through a programmable switch **CPU SOFT MENU™**), that replaces traditional manual hardware configuration. This feature allows the user to complete more easily the installation procedures. You can install the CPU without configuring any jumpers or switches. The CPU must be setup according its specifications.

In the first option, you can press <F1> at any time to display all the items that can be chosen for that option.

ROM PCI/ISA BIOS (XXXXXXXX)  
 !! CPU SOFT MENU!!  
 AWARD SOFTWARE, INC.

CPU Name Is	: Intel Pentium MMX	
CPU Type (Speed)	: 133 (66x2)	
-Turbo Frequency	: Disable	
-External Clock	: 66MHz	
-Multiplier Factor	: 2	
CPU Power Plane	: Dual Voltage	
-Core Plane Voltage	: 2.80v	
-I/O Plane Voltage	: 3.30v	
		Esc : Quit : Select Item
		F1 : Help PU/PD/+/- : Modify
		F5 : Old Values (Shift)F2 : Color
		F6 : Load BIOS Defaults
		F7 : Load Setup Defaults

Fig 3-1 CPU SOFT MENU™

**CPU Name Is:**

- ↗ Intel Pentium
- ↗ AMD K5
- ↗ Cyrix 6x86
- ↗ Cyrix 6x86MX
- ↗ Intel Pentium MMX
- ↗ AMD K6
- ↗ Cyrix 6x86L

But when you boot the computer, the mainboard will automatically detect the CPU brand and type.

***CPU Operating Speed:***

This option sets the CPU speed. Different CPU brands use different techniques to indicate the CPU speed. For example, AMD and Cyrix use P-Rating.

In this field, the CPU speed is indicated like this: CPU speed (external clock x multiplier factor)

Select the CPU speed according the type and the speed of your CPU.

**【Note 1】** For Intel Pentium CPUs, you can choose the following settings:

- |                |                |
|----------------|----------------|
| ↗ 75 (50x1.5)  | ↗ 90 (60x1.5)  |
| ↗ 100 (66x1.5) | ↗ 120 (60x2)   |
| ↗ 133 (66x2)   | ↗ 150 (60x2.5) |
| ↗ 166 (66x2.5) | ↗ 200 (66x3)   |

**【Note 2】** For AMD-K5 CPUs from AMD, you can choose the following P-Ratings:

- |                  |                   |
|------------------|-------------------|
| ↗ PR75 (50x1.5)  | ↗ PR90 (60x1.5)   |
| ↗ PR100 (66x1.5) | ↗ PR120 (60x1.5)  |
| ↗ PR133 (66x1.5) | ↗ PR166 (66x1.75) |

**【Note 3】** For Cyrix 6x86 and 6x86L CPUs, you can choose the following P-Ratings:

- |                 |                 |
|-----------------|-----------------|
| ↗ PR120+ (50x2) | ↗ PR133+ (55x2) |
| ↗ PR150+ (60x2) | ↗ PR166+ (66x2) |
| ↗ PR200+ (75x2) |                 |

**【Note 4】** User define external clock and multiplier factor:

↗ User Define

 ***External Clock:***

- |         |                                |
|---------|--------------------------------|
| ↗ 50MHz | ↗ 55MHz                        |
| ↗ 60MHz | ↗ 66MHz                        |
| ↗ 75MHz | ↗ 83MHz(If hardware supports.) |

 ***Multiplier Factor:***

You can choose the following multiplier factors:

- |       |        |
|-------|--------|
| ↗ 1.5 | ↗ 1.75 |
| ↗ 2.0 | ↗ 2.5  |
| ↗ 3.0 | ↗ 3.5  |

However, differences will exist because of the various brands and types available.

Normally, we do not recommend that you use the “User Define” option to setup CPU speed and multiplier factor. This option is for setup of future CPUs whose specifications are still unknown. The specifications of all present CPUs are included in the default settings. Unless you are very familiar with all CPU parameters, it is very easy to make mistakes when you define by yourself the external clock and the multiplier factor.

** Turbo Frequency:**

This item will only be displayed if your CPU external clock supports Turbo mode.

The Turbo mode allows you to speed up the external clock by approximately 2.5%. This feature is used to verify the design flexibility. It is a very important tool for test units to verify CPU stability. Do not use this feature.

- ↗ Disable: CPU external clock is operating within the normal limits.
- ↗ Enable: CPU external clock is operating within the limits of the Turbo mode.

**Solution in case of booting problem due to invalid clock setup:**

Normally, if the CPU external clock setup is wrong, you will not be able to boot. In this case, turn the system off than on again. The CPU will automatically use its standard parameters to boot. You can then enter BIOS Setup again and set up the external clock.

**When you change your CPU:**

IT5 series mainboards have been designed in such a way that you can turn the system on after having inserted the CPU in the socket without having to configure any jumpers or DIP switches. But if you change your CPU, normally, you just have to turn off the power supply, change the CPU and then, set up the CPU parameters through CPU **SOFT MENU™**. However, if the CPU brand and type is the same, and if the new CPU is slower than the old one, we offer you two methods to successfully complete the CPU change operation.

Method 1: Setup up the CPU for the lowest speed for its brand. Turn the power supply off and change the CPU. Then turn the system on again, and set up the CPU parameters through CPU SOFT MENU.

Method 2: Try turning the system on a few times (3~4 times) and the system will automatically use its standard parameters to boot. You can then enter BIOS SETUP again and set up the new parameters.

Method 3: Since you have to open the computer case when you change the CPU, it could be a good idea to use the CCMOS jumper to erase the parameters of the original CPU and to enter BIOS Setup to set up CPU parameters again.


**Note :** The increase by 2.5% of the CPU speed is not a standard feature of this product. It is only for use by our development department to verify that the CPU is able to work normally when CPU speed, operating temperature and power supply are 2.5% higher or lower than the standard values. This is to guarantee product stability. We require the manufacturer of the Clock Generator to meet the demands of our development department and to add a TURBO Frequency feature used for testing purposes by our R&D department. Of course, you can use this feature to test the stability of your own system, but after you have tested the product, we recommend that you set it back to its normal value in order to guarantee system stability.

### ***CPU Power Plane:***

In the previous chapter we explained that the 586 CPUs can be divided into two types: single voltage and dual voltage. This option will normally auto-detect the type of your CPU, so you don't need to make any changes.

- ↗ Single Voltage: Single voltage CPU
- ↗ Dual Voltage: Dual voltage CPU
- ↗ Set up the voltage via CPU Marking

- ⊙ When the CPU is **single voltage**, the following options will be displayed to set up the voltage:

 **Plane voltage:**

- ↗ 3.52v : For Intel VRE standard CPUs and AMK-K5 or Cyrix 8x86 CPUs
- ↗ 3.38v : For Intel STD and VR standards CPUs

- ⊙ When the CPU is **dual voltage**, two options will be displayed to set up Vcore and Vio plane voltage

 **Core Plane Voltage:**

- ↗ 2.90v : For AMD K6/200 CPU.
- ↗ 2.80v : For Intel Pentium MMX, Cyrix 6x86L and 6x86MX CPU.
- ↗ 2.70v : For future CPUs.
- ↗ 2.50v : For future CPUs. (If hardware supports.)
- ↗ 3.20v : For AMD K6/233 and future CPUs. (If hardware supports.)

 **I/O Plane Voltage:**

- ↗ 3.52v : Reserved
- ↗ 3.38v : Some CPUs from AMD need this I/O Plane Voltage.
- ↗ 3.30v : For most of the dual voltage CPUs (default) currently available.

The CPU voltage must be set according to voltage indications via CPU Marking given by the manufacturer. Since the CPU voltage will decrease as technology improves, we have reserved some options according to what we can forecast from present documentation. We cannot give you detailed information about the voltage required by each kind of CPU in this chapter. For the correct values, refer to appendices B, C and D.

- ⊙ Set up the voltage via CPU Marking:

If you consider using the Appendices to set up as too complicated, you can use the CPU Marking: within the options under “CPU Marking Is,” set up via CPU Marking on the CPU.

## Notes:

1. If your CPU is a dual voltage one and that the voltage set up is 3.52V, our mainboard features a hardware protection circuit that will lower the voltage between 2.8V and 2.9V, which is within the CPU operating voltage limits.
2. The voltage value given is the central value. For example, the voltage range of 3.52V is 3.45V to 3.6V. The central voltage value between 3.45V and 3.6V is 3.52V.

Attention: After setting up the parameters and you leave the BIOS SETUP, and you have verified that the system can be turned on, do not press the Reset button or turn off the power supply. Otherwise the BIOS will not read correctly, the parameters will fail and you must enter CPU **SOFT MENU™** again to set up the parameters all over again.



## ★ Standard CMOS Setup Menu

It is the basic configuration parameters of the BIOS. These parameters include the settings of date, hour, VGA card, FDD and HDD.

Date(mm:dd:yy) : Wed,Jul 10 1996									
Time(hh:mm:ss) : 14:53:31									
HARDS	DISKS	Type	SIZE	CYLS	HEAD	PRECOMP	LANDZ	SECTOR	MODE
Primary	Master	: None	0	0	0	0	0	0	-----
Primary	Slave	: None	0	0	0	0	0	0	-----
Secondar	Master	: None	0	0	0	0	0	0	-----
y	Secondar	Slave	: None	0	0	0	0	0	-----
y									
Drive A: 1.44M,3.5IN.					Base Memory : 640K Extended Memory : 3328K Expanded Memory : 0K Other Memory : 128K ----- Total Memory: 4096K				
Drive B: None									
Floppy 3Mode Support: Disable									
Video: EGA/VGA									
Halt On: All Errors									
Esc: Quit			: Select Item			PU/PD/+/- : Modify			
F1: Help			(Shift)F2: Change color			F3 : Toggle Calendar			

Fig 3-2 Standard CMOS Setup Menu

### ● *Set up of HDD operating mode*

#### 【NORMAL, LBA, LARGE】

Since old operating systems were only able to support HDD whose capacity was not bigger than 528MB, any hard disk with more than 528MB was unusable. AWARD BIOS features a solution to this problem: you can, according to your operating system, choose three operating modes: NORMAL, LBA or LARGE.

#### ↗ Normal mode:

Standard normal mode supports hard disks of 528MB or less. This mode directly uses positions indicated by Cylinders (CYLS), Heads, and Sectors to access data.

**↗ LBA (Logical Block Addressing) mode:**

LBA mode supports hard disk drives up to 8.4Giga. This mode uses a different method to calculate the position of disk data to be accessed. It translates Cylinders (CYLS), Heads and Sectors into a logical address where data are located. The Cylinders, Heads, and Sectors displayed in this menu do not reflect the actual structure of the hard disk, they are just reference values used to calculate actual positions. Currently, all high capacity hard disks support this mode, that's why we recommend you use this mode. The HDD AUTODETECTION option in the Main Menu will automatically detect the parameters of your hard disk and the mode supported.

**↗ LARGE Mode:**

When the number of cylinders (CYLs) of the hard disk exceeds 1024 and DOS is not able to support it, or if your operating system does not support LBA mode, you should select this mode.

**● FDD supporting 3 Mode:**

3 Mode floppy disk drives (FDD) are 3 1/2" drives used in Japanese computer systems. If you need to access data stored in this kind of floppy, you must select this mode, and of course you must have a 3 Mode floppy drive.

 For further information about HDD installation, refer to Appendix E.

## ❁ BIOS Features Setup Menu

BIOS Features Setup Menu has already been set for maximum operation. If you do not really understand each of the options in this menu, we recommend you use default values.

In each item, you can press <F1> at any time to display all the options for this item.

ROM PCI/ISA BIOS (XXXXXXXX)  
BIOS FEATURES SETUP  
AWARD SOFTWARE, INC.

Virus Warning	: Disabled	Video BIOS Shadow	: Enabled
CPU Internal Cache	: Enabled	C8000-CBFFF Shadow	: Disabled
External Cache	: Enabled	CC000-CFFFF Shadow	: Disabled
Quick Power on Self Test	: Enabled	D0000-D3FFF Shadow	: Disabled
Boot Sequence	: A,C, SCSI	D4000-D7FFF Shadow	: Disabled
Swap Floppy Drive	: Disabled	D8000-DBFFF Shadow	: Disabled
Boot Up Floppy Seek	: Disabled	DC000-DFFFF Shadow	: Disabled
Boot Up NumLock Status	: On		
IDE HDD Block Mode	: Enabled		
Typematic Rate Setting	: Enabled		
Typematic Rate(Chars/Sec)	: 30		
Typematic Delay (Msec)	: 250		
Security Option	: Setup		
PCI/VGA Palette Snoop	: Disabled		
OS Select For DRAM > 64MB	: Non-OS2		
		Esc : Quit	: Select Item
		F1 : Help	PU/PD/+/- : Modify
		F5 : Old Values	(Shift)F2 : Color
		F6 : Load BIOS	
		Defaults	
		F7 : Load Setup	
		Defaults	

Fig 3-3 BIOS Features Setup

### ***Virus Warning:***

This item can be set as Enable or Disable.

When this feature is enabled, if there is any attempt from a software or an application to access the boot sector or the partition table, the BIOS will warn you that a boot virus is attempting to access to the hard disk.

***CPU Internal Cache:***

This item is used to Enable or to Disable the CPU internal cache. When the cache is set at Disable, it is much slower, so the default setting for this item is Enable. Some old and very bad programs will make the computer malfunction or crash if the system speed is to high. In that case, you should Disable this feature.

***CPU External Cache:***

This item is used to enable or to disable the CPU external cache. When the external cache is enabled, the system works faster. The default is Enable.

***Quick power on self test:***

After the computer has been powered on, the BIOS of the mainboard will run a series of tests in order to check the system and its peripherals. If the Quick power on self test feature is Enable, the BIOS will simplify the test procedures in order to speed up the boot process. The default is Enable.

***Boot Sequence:***

When the computer boots up, it can load the operating system from floppy drive A:, hard disk drive C:, SCSI disk drive or CD-ROM. There are many options for the boot sequence:

- ❶ A, C, SCSI
- ❷ C, A, SCSI
- ❸ C, CD-ROM, A
- ❹ CD-ROM, C, A
- ❺ D, A, SCSI (at least 2 IDE HDD can be used)
- ❻ E, A, SCSI (at least 3 IDE HDD can be used)
- ❼ F, A, SCSI (at least 4 IDE HDD can be used)
- ❽ SCSI, A, C
- ❾ SCSI, C, A
- ❿ A, SCSI, C

***Swap Floppy Drive:***

This item can be set as Enable or Disable.

When this feature is enabled, you don't need to open the computer case to swap the position of floppy disk drive connectors. Drive A: can be set

as drive B:, and drive B: can be set as drive A:.

***Boot Up Floppy Seek:***

When computer boots up, the BIOS detects if the system has FDD or not. When this item is enabled, if the BIOS detects no floppy drive, it will display a floppy disk drive error message. If this item is disabled, the BIOS will skip this test.

***Boot Up NumLock Status:***

- ↗ On: At boot up, the Numeric Keypad is in numeric mode.
- ↗ Off: At boot up, the Numeric Keypad is in cursor control mode.

***IDE HDD Block Mode:***

This item can be set as Enable or Disable.

Most of new hard disk drives (IDE drives) support multi-sector transfers. This feature speeds up hard disk drive access performance and reduces the time necessary to access data. When this item is enabled, the BIOS will automatically detect if your hard disk drive supports this feature or not, and will choose the right settings for you.

📖 For further details about hard disk drive installation, refer to appendix E.

***Typematic Rate Setting:***

This item allows you to adjust the keystroke repeat rate. When enabled, you can set the two keyboard typematic control that follow (Typematic Rate and Typematic Rate Delay). If this item is disabled, the BIOS will use the default setting.

***Typematic Rate (Chars/Sec):***

When you press a key continuously, the keyboard will repeat the keystroke according to the rate you have set. (Unit: characters/second )

***Typematic Rate Delay (Msec):***

When you press a key continuously, if you exceed the delay you have set here, the keyboard will automatically repeat the keystroke according a certain rate. (Unit: milliseconds)

***Security Option:***

This option can be set to System or to Setup.

After you have created a password through PASSWORD SETTING, this option will deny access to your system (System) or modification of computer setup (BIOS Setup) by unauthorized users.

- **SYSTEM:** When you choose System, a password is required each time the computer boots up. If the correct password is not given, the system will not start.
- **SETUP:** When you choose Setup, a password is required only when accessing the BIOS Setup. If you have not set a password in the PASSWORD SETTING option, this option is not available.

**Notice:** Don't forget your password. If you forget the password, you will have to open the computer case and clear all information in the CMOS before you can start up the system. But doing this, you have to reset all the options you had set up before.

***PCI /VGA Palette Snoop:***

This option allows the BIOS to preview VGA Status, and to modify the information delivered from the Feature Connector of the VGA card to the MPEG Card. This option can solve the display inversion to black after you have used the MPEG card.

***OS Select For DRAM > 64MB:***

When the system memory is bigger than 64MB, the communication method between the BIOS and the operating system will differ from one operating system to another. If you use OS/2, select OS2; if you choose another operating system, select Non-OS2.

***Video BIOS Shadow:***

This option is used to define whether the BIOS on the video card uses shadow feature or not. You should set this option to Enable, otherwise the display performance of the system will greatly decrease.

***Shadowing address ranges (C8000-CBFFF Shadow):***

This option allows you to decide if the memory block (BIOS) of an interface card at the address C8000-CBFFF uses the shadow feature or not. If you have no interface card using this memory block, don't enable this option.

***Shadowing address ranges (CC000-CFFFF Shadow):***

This option allows you to decide if the memory block (BIOS) of an interface card at the address CC000-CFFFF uses the shadow feature or not. If you have no interface card using this memory block, don't enable this option.

***Shadowing address ranges (D0000-D3FFF Shadow):***

This option allows you to decide if the memory block (BIOS) of an interface card at the address D0000-D3FFF uses the shadow feature or not. If you have no interface card using this memory block, don't enable this option.

***Shadowing address ranges (D4000-D7FFF Shadow):***

This option allows you to decide if the memory block (BIOS) of an interface card at the address D4000-D7FFF uses the shadow feature or not. If you have no interface card using this memory block, don't enable this option.

***Shadowing address ranges (D8000-DBFFF Shadow):***

This option allows you to decide if the memory block (BIOS) of an interface card at the address D8000-DBFFF uses the shadow feature or not. If you have no interface card using this memory block, don't enable this option.

***Shadowing address ranges (DC000-DFFFF Shadow):***

This option allows you to decide if the memory block (BIOS) of an interface card at the address DC000-DFFFF uses the shadow feature or not. If you have no interface card using this memory block, don't enable this option.



**Computer  
knowledge**

**SHADOW**

What is the SHADOW? The BIOS of standard video or interface cards is stored in ROM, and it is often very slow. With the Shadow feature, the CPU reads the BIOS on the VGA card and copies it into RAM. When the CPU runs this BIOS, the operation is speeded up.

## ✳ Chipset Features Setup Menu

The Chipset Features Setup Menu is used to modify the contents of the buffers in the chipset on the mainboard. Since the parameters of the buffers are closely related to hardware, if the setup is not correct or false, the mainboard will become unstable or you will not be able to boot up. If you don't know the hardware very well, use default values (use the LOAD SETUP DEFAULTS option).

ROM PCI/ISA BIOS (XXXXXXXXXX)			
CHIPSET FEATURES SETUP			
AWARD SOFTWARE, INC.			
Auto Configuration	: Enabled	Delayed Transaction	: Enabled
DRAM Timing	: 60ns		
DRAM RAS# Precharge Time	: 4		
DRAM R/W Leadoff Timing	: 6		
Fast RAS# to CAS# Delay	: 3		
DRAM Read Timing (EDO/FP)	: x222/x333		
DRAM Write Timing	: x222		
Fast MA to RAS# Delay CLK	: 1		
Fast EDO Path Select	: Disabled		
Refresh RAS# Assertion	: 5 Clks		
ISA Bus Clock	: PCICLK/3		
SDRAM (CAS Lat/RAS-to-CAS)	: 3/3		
System BIOS Cacheable	: Disabled		
Video BIOS Cacheable	: Enabled		
8 Bit I/O Recovery Time	: 1	Esc : Quit	: Select
16 Bit I/O Recovery Time	: 1		Item
Memory Hole At 15M-16M	: Disable	F1 : Help	PU/PD/+/- : Modify
Peer Concurrency	: Enabled	F5 : Old Values	(Shift)F2 : Color
Passive Release	: Enabled	F6 : Load BIOS Defaults	
		F7 : Load Setup Defaults	

Fig 3-4 Chipset Features Setup

You can use the arrow keys to move between the items. Use "PgUP", "PgDn", "+" and "-" to change the values. When you have finished setting up the chipset, press "ESC" to go back to the main menu.

### ***Auto Configuration:***

This option allows (Enable) or prevents (Disable) the BIOS from using default values for Auto Configuration. The BIOS default is Enable.

➤ When you select Enable, the BIOS will automatically use the values related to DRAM. You will not be able to set up the following

options.

↗ When you select Disable, you can manually set up DRAM options.

**Attention:** Unless you are very familiar with your computer and with the DRAM configuration and speed, we recommend you not change the DRAM options but enable this option.

### ***DRAM settings:***

The other DRAM settings are all closely related to hardware. If you do not understand this very well, don't make any changes. Our BIOS is able to autodetect the characteristics of your DRAM and to choose the best settings.

### ***Memory Hole At 15M-16M:***

This option is used to free up the 15M-16M memory block. Some special peripherals need to use a memory bloc located between 15M and 16M, and this memory block has a size of 1M. We recommend that you disable this option.

### ***DRAM ECC/PARITY SELECT:***

This option is used to select the DRAM check feature.

- ↗ ECC (Error check and correction)
- ↗ PARITY (Parity error check)

Only IT5H has this feature.

### ***Memory Parity/ECC Check:***

This option is used to enable or disable memory check feature.

- ↗ Enable: Enable memory check feature
- ↗ Disable: Disable memory check feature
- ↗ Auto: Automatically enable or disable memory check feature. If your DRAM module features a Parity bit, it will automatically enable this feature; if not, it will automatically disable the feature.

Only IT5H mainboard has this feature.

There are small differences in the chipset feature setup according to different mainboard models, but this has no influence upon performance. Our default setup should be the best one. That is the reason why we do not

describe all the features of this menu.

## ⊞ Power Management Setup Menu

The difference between Green PCs and traditional computers is that Green PCs have a power management feature. With this feature, when the computer is powered on but inactive, the power consumption is reduced in order to save energy. When the computer operates normally, it is in Normal mode. In this mode, the Power Management Program will control the access to video, parallel ports, serial ports and drives, and the operating status of the keyboard, mouse and other device. These are referred to as Power Management Events. In cases where none of these events occur, the system enters the power saving mode. When one of the controlled events occurs, the system immediately returns to normal mode and operates at its maximum speed. Power saving modes can be divided into three modes according to their power consumption: Doze Mode, Standby Mode, and Suspend Mode. The four modes proceed in the following sequence:

Normal Mode====> Doze Mode====> Standby Mode====> Suspend Mode

The system consumption is reduced according the following sequence:

Normal > Doze > Standby > Suspend

1. In the Main Menu, select "Power Management Setup" and press "Enter". The following screen is displayed:

ROM PCI/ISA BIOS (XXXXXXXX)  
 POWER MANAGEMENT SETUP  
 AWARD SOFTWARE, INC.

Power Management	: Use Define	** Power Down & Resume Event **
PM Control by APM	: Yes	IRQ 3 (COM2) : ON
Video Off Method	: V/H SYNC+Blank	IRQ 4 (COM1) : ON
Video Off Option	: Susp, stby --> off	IRQ 5 (LPT2) : ON
Modem Use IRQ	: NA	IRQ 6 (Floppy Disk) : ON
		IRQ 7 (LPT1) : ON
Doze Mode	: Disable	IRQ 8 (RTC Alarm) : OFF
Standby Mode	: Disable	IRQ 9 (IRQ2 Redir) : OFF
Suspend Mode	: Disable	IRQ 10 (Reserved) : OFF
HDD Power Down	: Disable	IRQ 11 (Reserved) : OFF
		IRQ 12 (PS/2 Mouse) : ON
** Wake Up Events In Doze & Standby **		IRQ 13 (Coprocessor) : ON
IRQ 3 (Wake-Up Event)	: ON	IRQ 14 (IDE-1) : ON
IRQ 4 (Wake-Up Event)	: ON	IRQ 15 (IDE-2) : ON
IRQ 8 (Wake-Up Event)	: OFF	
IRQ 12 (Wake-Up Event)	: ON	
		Esc : Quit : Select Item
		F1 : Help PU/PD/+/- : Modify
		F5 : Old Values (Shift)F2 : Color
		F6 : Load BIOS Defaults



F7 : Load Setup Defaults

Fig 3-5 Power Management Setup Menu

2. Use arrow keys to go to the item you want to configure. To change the settings, use "PgUP", "PgDn", "+" and "-".
3. After you have configured the Power Management feature, press "Esc" to go back to the Main Menu.

We are now going to briefly explain the options in this menu:

### ***Power Management:***

Four options:

- ↗ User Define  
User Define defines the delay for accessing the power modes.
- ↗ Disable  
Disable Power Management features.
- ↗ Min Saving  
When the three saving modes are enabled, the system is set up for minimum power savings.  
Doze = 1 hour  
Standby = 1 hour  
Suspend = 1 hour
- ↗ Max Saving  
When the three saving modes are enabled, the system is set up for maximum power savings.  
Doze = 1 minute  
Standby = 1 minute  
Suspend = 1 minute

### ***PM Control by APM:***

Power Management is completely controlled by the APM.

APM stands for Advanced Power Management, it is a power management standard set by Microsoft, Intel and other major manufacturers.

### ***Video Off Method:***

Three video off methods are available: "Blank", "V/H SYNC+Blank" and "DPMS". The default is "V/H SYNC+Blank".

If this setting does not shut off the screen, select "Blank". If your monitor and video card support DMPS standard, select "DPMS".



***Video Off Option:***

Select the saving mode in which the video is switched off.

- ↗ Always On  
The video will never be switched off in no saving mode.
- ↗ All Modes Off  
The video will be switched off in all saving modes.
- ↗ Suspend or Suspend (Susp,Stby --> Off)  
The video will only be switched off in Standby or Suspend mode.
- ↗ Suspend (Suspend --> Off)  
The video will only be switched off in Suspend mode.

***Modem Use IRQ:***

If you use a modem, enter which IRQ it is using so that the APM can control it.

***HDD Power Down:***

If the system has not accessed data on the hard disk drive during the specified time period, the engine of the HDD will stop in order to save electricity.

You can set 1 to 15 minutes or select Disable according to your use of the HDD.

***Doze Mode:***

When the setting selected for "Power Management" is "User Define", you can define for this mode any delay from 1 minute to 1 hour. If no power management event occurs during this time period, meaning that computer is inactive during this period, the system will enter the **Doze** power saving mode.

If this mode is disabled, the system will enter the next mode in the sequence (Standby or Suspend mode).

***Standby Mode:***

When the setting selected for "Power Management" is "User Define", you can define for this mode any delay from 1 minute to 1 hour. If no power management event occurs during this time period, meaning the computer is inactive during this period, the system will enter the **Standby** power saving mode.

If this mode is disabled, the system will enter the next mode in the sequence (Suspend mode).

***Suspend Mode:***

When the setting selected for "Power Management" is "User Define", you can define for this mode any delay from 1 minute to 1 hour. If no power management event occurs during this time period, meaning the computer is inactive during this period, the system will enter the **Suspend** power saving mode. The CPU stops working completely.

If this mode is disabled, the system will not enter the Suspend mode.

***Wake-Up Events:***

When system is in Doze or Standby power saving mode, it will check for the wake-up events (IRQ4, 3, 8, 12) defined. When it detects an activity of one of the IRQs defined, it exits the power saving mode and returns to full operation mode (Normal).

Wake-up events are all operations or signals that cause the system to recover normal operation.

***Power Down & Resume Events:***

When one of the power down and resume events (IRQ3-15) specified occurs, the count down made for entry in power saving mode goes back to zero.

Since the computer will enter a power saving mode only after an inactivity delay specified (time specified for Doze, Standby and Suspend modes) and after it has no activity, during this time period, any event will cause the computer to re-count the time elapsed. Resume events are operations or signals that cause the computer to resume time counting.

## ⊕ PCI & Onboard I/O Setup

In this menu, you can change the INT# and IRQ of the PCI bus and the onboard I/O device, I/O port address and other hardware settings.

ROM PCI/ISA BIOS (XXXXXXXX)  
 PCI & ONBOARD I/O SETUP  
 AWARD SOFTWARE, INC.

Reset PnP Config Data	: Disabled	Onboard PS/2 Mouse	: Enabled
PCI PnP BIOS Auto-Config	: Disabled	Onboard FDD Controller	: Enabled
PCI IRQ Activated By	: Level	Onboard Serial Port 1	: 3F8/IRQ4
1st Available IRQ	: 10	Onboard Serial Port 2	: 2F8/IRQ3
2nd Available IRQ	: 11	-Onboard IR Function	: IrDA
3rd Available IRQ	: 9	-IR Duplex Mode	: Half
4th Available IRQ	: 5	Onboard Parallel Port	: 378/IRQ7
PCI IDE Card 2nd Channel	: Enabled	-Parallel Port Mode	: ECP+EPP1,9
PCI IDE Card IRQ Map to	: PCI-AUTO	-ECP Mode Use DMA	: 3
Primary IDE INT#	: A		
Secondary IDE INT#	: B		
Onboard USB Controller	: Disabled		
Onboard IDE-1 Controller	: Enabled	Esc : Quit	: Select
-Master Drive PIO Mode	: Auto		Item
-Slave Drive PIO Mode	: Auto	F1 : Help	PU/PD/+/- : Modify
Onboard IDE-2 Controller	: Enabled	F5 : Old Values	(Shift)F2 : Color
-Master Drive PIO Mode	: Auto	F6 : Load BIOS Defaults	
-Slave Drive PIO Mode	: Auto	F7 : Load Setup	
		Defaults	

Fig 3-6 PCI & Onboard I/O Setup

### **Reset PnP Config Data:**

If you want to clear ESCD data next time you boot up, and ask the BIOS to reset the settings for the Plug & Play ISA Card and the PCI Card, select Enabled. But the next time you boot up, this option will automatically be set as Disabled.

### **Computer Knowledge**

#### **ESCD (Extended System Configuration Data)**

The ESCD contains the IRQ, DMA, I/O Port, Memory information of the system. This is a specification and a feature specific to Plug & Play BIOS.

***PCI PnP BIOS Auto-Config:***

This option enables or disables the BIOS capability to automatically assign IRQs. The BIOS default is Disable.

When you select Enable, the BIOS will automatically assign the correct IRQ to the interrupt number (INT#) of the PCI slots. When this option is disabled, you have to assign IRQs used by the interrupt number (INT#) of the PCI slots.

***Xth Available IRQ:***

You can select four IRQs out of the 10 listed (IRQ3, 4, 5, 7, 9, 10, 11, 12, 14, 15) to be assigned for use by the interrupt number (INT#) of the PCI slot.

***1st Available IRQ:***

This means that the first interrupt number (INT#) found on the PCI bus will use this IRQ. That is, this IRQ will be assigned to the first interrupt number (INT#) found on the PCI bus.

***2nd Available IRQ:***

This means that the second interrupt number (INT#) found on the PCI bus will use this IRQ. That is, this IRQ will be assigned to the second interrupt number (INT#) found on the PCI bus.

*The third and the fourth available IRQ will be assigned in sequence to the third and the fourth interrupt numbers (INT#) found on the PCI bus.*

***PCI IDE Card 2nd Channel:***

This option can be enabled or disabled. BIOS default is Enable.

Since this channel uses IRQ15, if you want to use this channel, you have to enable this option to make the BIOS assign IRQ15 to this channel.

***PCI IDE Card IRQ Map to:***

Three options are available for this item: PCI Auto, PCI-slotX and ISA.

- PCI-Auto: The onboard BIOS auto-detects which PCI slot has an IDE card inserted in.

- ↗ PCI-slotX: Some old PCI IDE cards cannot be detected by the BIOS. If the onboard BIOS cannot detect a PCE IDE card, you have to specify on which PCI slot the IDE card is inserted, to make the BIOS assign IRQ14 for use by the interrupt number (INT#) of this PCI slot.
- ↗ ISA: If you select ISA, it means that your PCI IDE card features a “paddleboard” and a cable that can be connected to IRQ on the ISA slot, because the BIOS will not assign any IRQ to this PCI slot.

**Attention:** Primary Channel and Secondary Channel : The BIOS needs two independent interrupt number (INT#) lines to be allocated to the PCI IDE card. Be careful not to choose twice the same interrupt number (INT#).

**Note:** Since the interrupt number of the PCI slot is connected according the design described below, there are some limitations, be careful.

- ☐ The INT#A signal of the first PCI slot, the INT#B signal of the second PCI slot, the INT#C signal of the third PCI slot and the INT#D signal of the fourth PCI slot, are the same, so be careful not to use them simultaneously.
- ☐ The INT#B signal of the first PCI slot, the INT#C signal of the second PCI slot, the INT#D signal of the third PCI slot and the INT#A signal of the fourth PCI slot, are the same, so be careful not to use them simultaneously.
- ☐ The INT#C signal of the first PCI slot, the INT#D signal of the second PCI slot, the INT#A signal of the third PCI slot and the INT#B signal of the fourth PCI slot, are the same, so be careful not to use them simultaneously.
- ☐ The INT#D signal of the first PCI slot, the INT#A signal of the second PCI slot, the INT#B signal of the third PCI slot and the INT#C signal of the fourth PCI slot, are the same, so be careful not to use them simultaneously.

***On Board USB Controller:***

This is to Enable or Disable the onboard Universal Serial Bus (USB) controller.

***Onboard PS/2 Mouse:***

This is to Enable or Disable the PS/2 Mouse. When in Enable, IRQ 12 is used.

***On Board FDD Controller:***

This is to Enable or Disable the Onboard FDD Controller.

***On board Serial Port 1:***

This is used to specify the I/O address and IRQ of Serial Port 1. Five options are available: Disable, 3F8h/IRQ4, 2F8h/IRQ3, 3E8h/IRQ4 or 2E8h/IRQ3.

***On board Serial Port 2:***

This is used to specify the I/O address and IRQ of Serial Port 2. Five options are available: Disable, 3F8h/IRQ4, 2F8h/IRQ3, 3E8h/IRQ4 or 2E8h/IRQ3.

**Attention:** Do not select the same I/O address and IRQ for the two serial ports, otherwise the serial ports will not be able to operate normally.

** *Onboard IR Function:***

Onboard serial port 2 can support IR (Infrared) function. Three options are available:

- ↗ Disable: No support for IR function.
- ↗ IrDA (HPSIR) mode.
- ↗ ASK IR (Amplitude Shift Keyed IR) mode.

** *IR Duplex Mode:***

Set the IR mode as Half or Full. Default is Half.

** *IR Tr/Re Polarity:***

Set IR transmission/reception polarity as High or Low.

***On board parallel Port:***

Set the I/O address and IRQ of the onboard parallel port. Four options are available: Disable, 3BCh/IRQ7, 278h/IRQ5 and 378h/IRQ7. Default is 378h/IRQ7.

 **Parallel Port Mode:**

Can be set as EPP v.1.7, EPP v. 1.9, ECP, ECP+EPP 1.7, ECP+EPP 1.9 or Normal (SPP) mode. Default is Normal (SPP) mode.

 **ECP Mode Use DMA:**

When the mode selected for the onboard parallel port is ECP, the DMA channel selected can be Channel 1 or Channel 3.

***Onboard IDE-1 Controller:***

Onboard PCI IDE 1 controller can be set as Enable or Disable.

 **Master drive PIO Mode:**

- Auto: the BIOS can auto-detect the PIO mode of the HDD in order to set its data transfer rate. (Default)
- Mode 0~Mode 4: User can specify the PIO mode of the HDD in order to set its data transfer rate.

 **Slave drive PIO Mode:**

- Auto: the BIOS can auto-detect the PIO mode of the HDD in order to set its data transfer rate. (Default)
- Mode 0~Mode 4: User can specify the PIO mode of the HDD in order to set its data transfer rate.

***Onboard IDE-2 Controller:***

The onboard IDE-2 controller can be set as Enable or Disable.

 **Master drive PIO Mode:**

- Auto: the BIOS can auto-detect the PIO mode of the HDD installed in order to set its data transfer rate. (Default)
- Mode 0~Mode 4: User can specify the PIO mode of the HDD in order to set its data transfer rate.

 **Slave drive PIO Mode:**

- Auto: the BIOS can auto-detect the PIO mode of the HDD installed in order to set its data transfer rate. (Default)
- Mode 0~Mode 4: User can specify the PIO mode of the HDD in order to set its data transfer rate.

**Computer  
knowledge**

MODE 0~4 reflects the HDD data transfer rate. The higher the MODE value is, the better is the HDD data transfer rate. But it does not mean that you can select the highest MODE value just as you like, you first have to be sure that your HDD supports this MODE, otherwise the hard disk will not be able to operate normally.

 For further information about HDD installation, refer to Appendix E.



## ✧ **Load BIOS Defaults**

---

BIOS defaults are the reference settings that allow your system to work at a comparatively low performance. When you choose the option, the following message is displayed:

“Load BIOS Defaults (Y/N)? N”

If you want to use BIOS default values, press “Y”, than <Enter>.

## ✧ **Load Setup Defaults**

---

Setup defaults are the settings that allow your system to operate at its highest performance. When you choose this option, the following message is displayed:

“Load Setup Defaults (Y/N)? N”

If you want to use BIOS Setup default values, press “Y”, than <Enter> to complete the loading of the settings for best performance.

You should first load the best settings, than enter the CPU Soft Menu to set up CPU parameters, otherwise the BIOS will replace set parameters by default parameters.

## ◆ Password Setting

---

This option allows you to set a password required to start the system (System) or to access to the BIOS (Setup).

After you have set a password through the PASSWORD SETTING option, you can enter the Security Option in the “BIOS Features Setup Menu” to select the security level in order to prevent any unauthorized access.

### **Password setting procedure:**

When you choose the Password setting option, the following message is displayed:

**“Enter Password:“**

Type your password. When complete, press <Enter>. The following message is displayed:

**“Confirm Password:“**

Type your password again. When complete, press <Enter>. The password setting is completed.

### **Password clearing procedure:**

When you select the Password setting option, the following message is displayed:

**“Enter Password:“**

Press <Enter>, the message “Password Disable” is displayed. Press a key. The password clearing procedure is completed.

**Notice:** Do not forget your password. If you forget it, you will have to open the computer case, clear the contents of the CMOS, and boot the system up again. But doing this, you must reset all your settings.

## ★ IDE HDD Auto Detection

---

After you have installed the hard disk, in old systems, you had to know the hard disk specifications, such as the number of cylinders, heads and sectors, and to enter the relevant information into the hard disk information section. If the CMOS data were erased, and you had forgotten the hard disk specifications, it was a great problem. But now, you can use this option to autodetect the hard disk type and specifications, and the BIOS will automatically detect all the relevant information and place them in the Hard Disk data section of the Standard CMOS Setup Menu, in order to allow you to use your hard disk.



## Appendix A Quick Installation

---

Appendix A will *give you a simplified installation procedure*, in order to allow you to install your mainboard quickly and correctly.

If you need further information or if you need to change some other settings, read from Chapters 1.

### ***Installing the CPU:***

Lift up the lever of the CPU socket, insert your CPU on the socket, and lower the lever back in position. Don't worry, if you don't respect the correct orientation, you will not be able to insert the CPU.

### ***Adjusting CPU voltage and speed:***

According to your CPU voltage and speed, set up the CPU in the **CPU SOFT MENU™** of the BIOS SETUP. For information about your CPU, refer to appendices B, C or D, and to information labeled on the CPU itself.

### ***Installing DRAM:***

**SIMM1~SIMM4,DIMM1~DIMM2-** Since Pentium are 64-bit CPUs, you have to use two 72-pin DRAM modules, or one 168-pin DRAM module. Refer to the scenarios listed below to install your DRAM modules.

Scenario 1: Two identical 72-pin DRAM modules:  
Insert your DRAM modules into SIMM1 and SIMM2 memory banks.

Scenario 2: Four identical 72-pin DRAM modules:  
Insert your DRAM modules into SIMM1, SIMM2, SIMM3 and SIMM4 memory banks.

Scenario 3: Four DRAM modules, identical by pairs:  
Insert two identical DRAM modules into SIMM1 and SIMM2, and the other two identical DRAM modules into SIMM3 and SIMM4.

For other configurations, please refer to the section dealing with system memory installation in Chapter 2.

***Installing FDD:***

**FDC-** Connect one end of the 34-pin cable that comes with the drive to the FDD connector, and the other end of the cable to the FDC pin connector on the mainboard.

**Note:** Be sure that the red line on the cable connects to the first pin of the connectors.

***Installing HDD:***

**IDE1-** Connect one end of the 40-pin cable that comes with the drive to the HDD connector, and the other end to IDE1 pin connector on the mainboard.

**Note:** Be sure that the red line on the cable connects to the first pin of the connectors.

***Installing CD-ROM Drive:***

**IDE2-** Connect one end of the 40-pin cable that comes with the drive to the CD-ROM connector, and the other end to the IDE2 pin connector on the mainboard.

**Note:** Be sure that the red line on the cable connects to the first pin of the connectors.

***Installing parallel port:***

**LPT-** Connect the 26-pin cable that comes with the hardware to the LPT connector on the mainboard.

***Installing serial port:***

**COM1-** Connect the 10-pin cable that comes with the hardware to connector COM1 on the mainboard.

**COM2-** Connect the other 10-pin cable to connector COM2 on the mainboard.

*Attach the bracket of Parallel Port, Serial Port and PS2 Mouse on the*

## **Quick Installation**

**A-3**

*computer case.*

**Installing Keylock connector:**

*Watch the pin position and the orientation*

**PN1** - There is a specific orientation for pin 1 to Pin 5. Insert the five-threads keylock cable into correct pins of connector PN1 on the mainboard.

Pin number	Name of the signal or signification
1	+5VDC
2	No connection
3	Ground
4	Keyboard inhibit Signal
5	Ground

**Installing IDE LED connector:**

*Watch the pin position and the orientation*

**PN1** - There is a specific orientation for pin 7 and pin 8. Connect the two-threads IDE LED connector to the connector on mainboard.

Pin number	Name of the signal or signification
7	Activity LED Cathode
8	IDE LED signal 【LED Anode】

**Installing Suspend switch connector:**

*Watch the pin position and the orientation*

**PN1** - There is a specific orientation for pins 13 and 14. Connect the two-threads suspend switch connector of the computer case to correct pins of connector PN1 on the mainboard. You can ignore this connector since most of computer cases do not support this feature (the mainboard itself supports it).

Pin number	Name of the signal or signification
13	Suspend
14	Ground



***H/W Reset connector:***

**PN2** - There is no specific orientation for pins 1 and 2. Insert the two-threads hardware reset connector into the correct pins of connector PN2 on the mainboard.

Pin number	Name of the signal or signification
1	Ground
2	Hardware Reset Signal

***Installing speaker connector:***

**PN2** - There is no specific orientation for pin 4 to pin 7. Connect the four-threads speaker cable to the correct pins of connector PN2 on the mainboard.

Pin number	Name of the signal or signification
4	+5VDC
5	Ground
6	Ground
7	Sound Signal

***Installing Turbo LED connector:***

**PN2** - There is not specific orientation for pins 9 and 10. Connect the two-threads connector to the correct pins of connector PN2 on the mainboard.

Pin number	Name of the signal or signification
9	Anode terminal of Turbo LED
10	Cathode terminal of Turbo LED

***Installing Power input connector:***

*Watch the pin position and the orientation*

**P8/P9-** Connect connectors P8 and P9 or the power supply unit to the correct connectors on the mainboard.

Pin number	Name of the signal or signification	Pin number	Name of the signal or signification
1	POWERGOOD	7	Ground
2	+5VDC	8	Ground
3	+12VDC	9	-5VDC
4	-12VDC	10	+5VDC
5	Ground	11	+5VDC
6	Ground	12	+5VDC

***Installing Keyboard connector:***

**J2 -** There is an orientation pin. Connect your keyboard

connector to connector J2 on the mainboard.

***Installing PS2 Mouse:***

**Mouse-** Connect the six-threads PS/2 Mouse cable that comes with the hardware to the connector on the mainboard. Install the bracket located on the other end of the computer case. When you buy a Mouse, it has to be a PS/2 Mouse for it to be connected to this port.

*Attach the bracket of Parallel Port, Serial Port and PS2 Mouse on the computer case.*

***Installing CPU Fan Power connector:***

**FAN -** There is a specific orientation. Connect the

three-threads CPU Fan power cable to the Fan connector on the mainboard.

Pin number	Name of the signal or signification
1	Ground
2	+12V
3	Ground

***Adjusting other jumpers:***

Some jumpers are reserved for future functions or are not to be adjusted in normal operation. Adjust them according to the following recommendations.

**CCMOS** : Put jumper on pin 1 and pin 2.

**JC1** : OFF (don't need to use any jumper).

***BIOS Setup:***

Parameters and CPU settings After you have followed the steps described above and completed the installation, when you power the computer on, you will see the following message displayed:

**TO ENTER SETUP BEFORE BOOT PRESS CTRL-ALT-ESC OR DEL KEY**

Press immediately Del key to enter BIOS Setup. Select Load Setup Defaults, than enter CPU Soft Menu to set CPU parameters.















**Pentium 166MHz**

	CPU Speed	CPU Spec	Internal Clock	Bus Factor	External Clock	Power		CPU Timing	DP Supp.	Note
						Vcore	VIO			
P54CS	166MHz	SY016	166MHz	2.5	66MHz	VRE			Yes	
P54CS		Q0841	166MHz	2.5	66MHz	VRE			Yes	
P54CS		SY017	166MHz	2.5	66MHz	VRE			Yes	
P54CS		Q0949	166MHz	2.5	66MHz	VRE		Kit	No	PPGA up
P54CS		SY037	166MHz	2.5	66MHz	VRE			No	PPGA up
P54CS		Q0951F	166MHz	2.5	66MHz	VRE		Kit	Yes	PPGA
P54CS		SY044	166MHz	2.5	66MHz	VRE		Kit	Yes	PPGA
P54CS		Q0836	166MHz	2.5	66MHz	VRE			Yes	
P54CS		Q0886	166MHz	2.5	66MHz	VRE			Yes	PPGA
P54CS		Q0890	166MHz	2.5	66MHz	VRE			Yes	PPGA
P54CS		SY072	166MHz	2.5	66MHz	VRE			Yes	
P55C		Q0940	166MHz	2.5	66MHz	2.9V	3.3V			CPGA
P55C		Q0942	166MHz	2.5	66MHz	2.9V	3.3V			PPGA
P55C		Q975	166MHz	2.5	66MHz	2.8V	3.3V			CPGA
P55C		Q978	166MHz	2.5	66MHz	2.8V	3.3V			PPGA
P55C		Q019	166MHz	2.5	66MHz	2.8V	3.3V			PPGA

**Pentium 200MHz**

	CPU Speed	CPU Spec	Internal Clock	Bus Factor	External Clock	Power		CPU Timing	DP Supp.	Note
						Vcore	VIO			
P54CS	200 MHz	Q0951	200MHz	3	66MHz	VRE			No	PPGA up
P54CS		SY045	200MHz	3	66MHz	VRE		Kit	No	PPGA up
P54CS		Q0951F	200MHz	3	66MHz	VRE		Kit	Yes	PPGA
P54CS		SY044	200MHz	3	66MHz	VRE			Yes	PPGA
P55C		Q018	200MHz	3	66MHz	2.8V	3.3V			PPGA

☆ **Bus Factor**

<b>Power</b>	<b>STD</b>	3.15V~3.465V (Recommended voltage is 3.38V)
	<b>VR</b>	3.300V~3.465V (Recommended voltage is 3.38V)
	<b>VRE</b>	3.450V~3.6V (Recommended voltage is 3.52V)
<b>Timing</b>	<b>STD</b>	Standard Timing
	<b>MD</b>	Min. Delay (denoting shorter minimum valid delay AC timing for some signal)
	<b>Kit</b>	Supports timing for C55/C88 cache chipsets & design

**P54C**

1. Beginning with the P54C E-Step, standard timings have been replaced by existing Min Delay timing.

**P54CS**

1. P54CS PPGA UP:No DP,No APIC,No FRC
2. Beginning with the P54C E-Step, standard timings have been replaced by existing Min Delay timing.

**P55C**

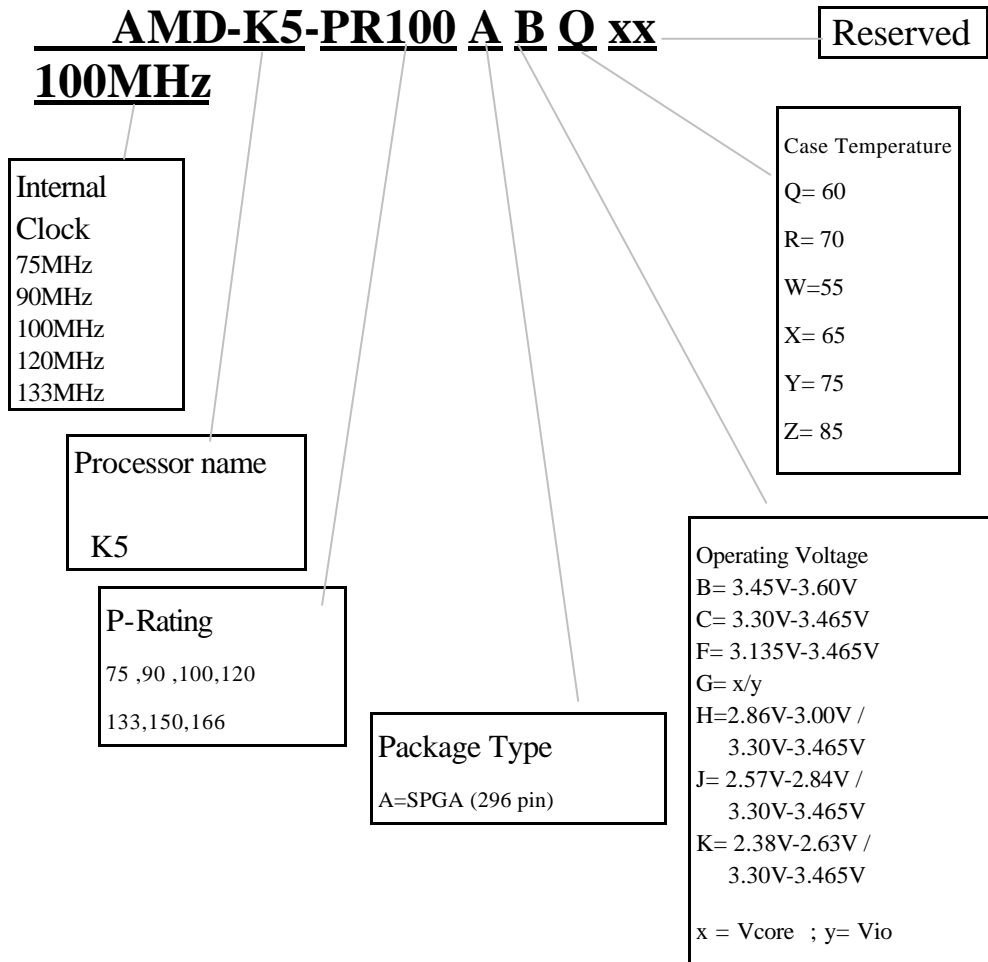
1. P55C A-Step is NOT production stepping
2. A-1 step: Vcc and timing on initial samples is 2.9V +/- 0.1V
3. A-2 Step and B step: Vcc and timing on production stepping is 2.8V +/- 0.1V



# Appendix C AMD-K5 CPUs

---

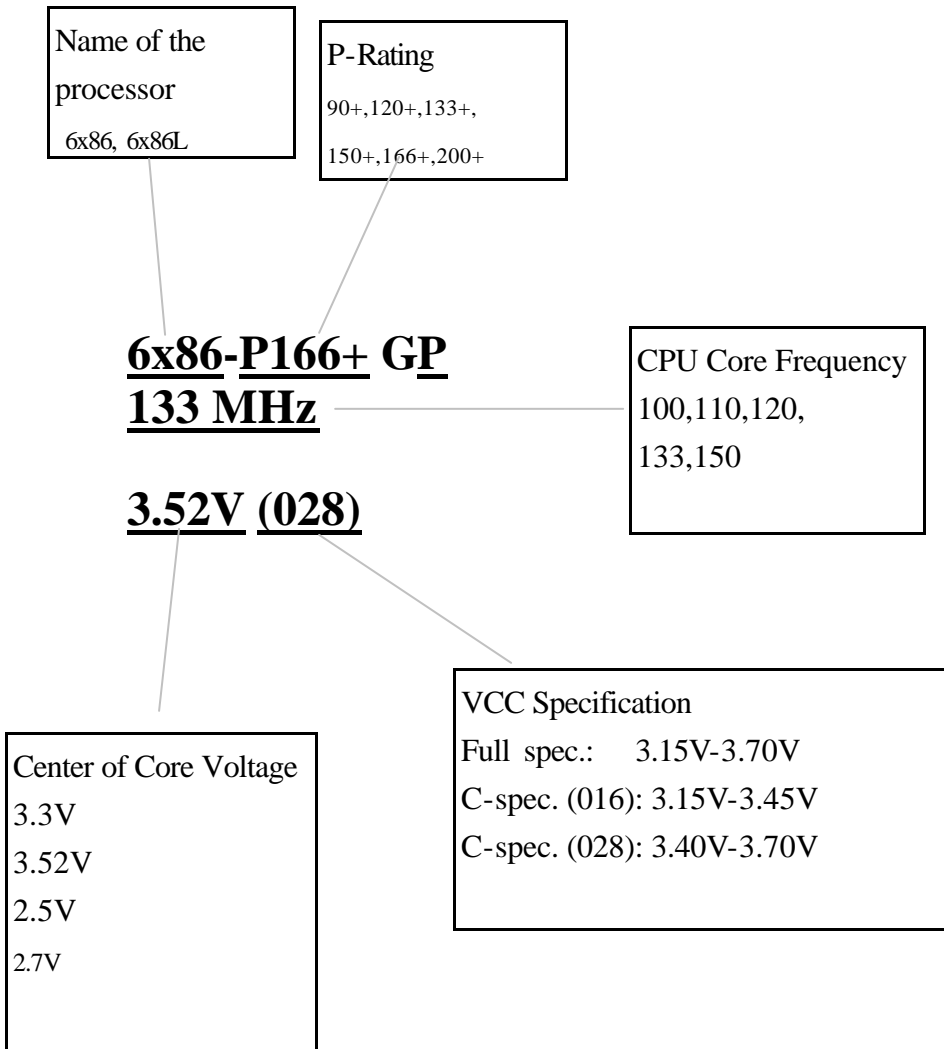
Recognizing AMD CPU speed, voltage and package:





## Appendix D Cyrix 6x86 CPUs

Recognizing Cyrix CPU speed and voltage:







## Appendix E    General Discussion about HDD Installation

---

Most of the present HDDs use IDE interface. Installing an IDE hard disk does not require a huge amount of intelligence like installing the driver for a SCSI hard disk, but this means that the user often must install the hard disk by himself and cope with all the problems he may encounter. Here, we will try to help you solve these possible problems.

The data stored in the hard disk are accessed through a chipset located on the mainboard. You probably often hear about the PIO mode, Master mode or DMA mode of HDD. These modes reflect the way data is transferred from and to the IDE drive and the mainboard.

What is the PIO mode? When the system needs to access hard disk data, the CPU delivers input/output (I/O) orders through the chipset on the mainboard to the hard disk drive, and then puts these data into the system memory. This is the PIO mode.

What is the Master mode? When the system needs to access hard disk data, these data are directly accessed from the hard disk by the chipset on the mainboard (using a DMA or a PIO mode), and then the data is put into the memory. In this case, the CPU does not participate in the data transfer.

What is the DMA mode? Usually, DMA mode refers to accessing the hard disk data by the chipset, it does not refer to data transfer mode.

Here are some examples of data transfer rates for IDE HDD with PIO interface:

PIO Mode 0 The fastest data transfer rate reaches 3.3Mbyte/sec

PIO Mode 1 The fastest data transfer rate reaches 5.2Mbyte/sec

PIO Mode 2 The fastest data transfer rate reaches 8.3Mbyte/sec

PIO Mode 3 The fastest data transfer rate reaches 11.1Mbyte/sec

PIO Mode 4 The fastest data transfer rate reaches 16.6MByte/sec

The higher the MODE value is, the best is the hard disk data transfer rate. But this does not mean that you can select the highest mode value as you like. You must be sure that your hard disk supports that type of fast data transfer, otherwise your hard disk will not be able to operate correctly.

Here are some examples of data transfer rates for IDE HDD with DMA mode:

DMA Mode 0 The fastest data transfer rate reaches 4.16Mbyte/sec

DMA Mode 1 The fastest data transfer rate reaches 13.3Mbyte/sec

DMA Mode 2 The fastest data transfer rate reaches 16.6Mbyte/sec

Usually, PIO mode means that the hard disk data are accessed by the CPU through the chipset and placed into memory, and the chipset is using PIO mode to access hard disk data.

MASTER mode means that hard disk data are accessed by the chipset, and that the chipset places the data into memory. The chipset is using DMA or PIO mode to access data stored in the hard disk drive. The Master mode can reduce the CPU load, especially in a Multi-task environment. This can help system performance.

**Installing a hard disk:**

In the **Standard CMOS Setup Menu**,

- ◆ Primary means the first connector on the mainboard, that is, connector IDE1 on our mainboard.
- ◆ Secondary means the second connector on the mainboard, that is, connector IDE2 on our mainboard.
- ◆ Two HDDs can be connected to the each connector:  
The first HDD is referred to as Master,  
The second HDD is referred to as Slave.

*The Master or Slave status of the hard disk drive is set on the hard disk itself. Refer to the hard disk drive manual.*

**Installing one HDD :** The red line on the connection cable must be lined up with pin 1 on the connector.

Be sure that your hard disk drive is set at Master. Actually, most hard disk drives are set at Master as a default, so you don't need to adjust any setting. Just connect one end of the 40 pin cable on the drive connector, and the other end to connector IDE1 on the mainboard.

**Installing one HDD + one CD-ROM drive:** The red line on the connection cable must be lined up with pin 1 on the connector.

Method 1: Set the HDD at Master, and the CD-ROM drive at Slave.

Connect one connector of the 40-pin cable to the hard disk, another one to the CD-ROM drive, and the other end to connector IDE1 on the mainboard.

Method 2: Set the HDD as Master and connect one end of the 40-pin cable to the HDD, and the other end to connector IDE1 on the mainboard.

You can ignore the setting of the CD-ROM drive, just connect one end of the 40-pin cable to the CD-ROM drive, and the other end to connector IDE2 on the mainboard.

We recommend you use this kind of connection, which has no influence on HDD speed.

**Installing two HDDs:** The red line on the connection cable must be lined up with pin 1 on the connector.

Method 1: Set the hard disk drive used for boot up at Master, and the other drive at Slave. Connect one of the connectors of the 40-pin cable to the first drive, another connector to the second drive, and the other end of the cable to connector IDE1 on the mainboard.

Method 2: Set the hard disk drive used for boot up at Master, connect one end of the 40-pin cable to the drive, and the other end to connector IDE1 on the mainboard.  
Set the other hard disk drive at Master, connect one end of the 40-pin cable to the drive, and the other end to connector IDE2 on the mainboard.

**Installing two HDDs + one CD-ROM drive:** The red line on the connection cable must be lined up with pin 1 on the connector.

Method 1: Set the hard disk drive used for boot up as Master, set the other HDD at Slave, connect one connector of the 40-pin cable to the first drive, another connector to the second drive, and the other end of the cable to connector IDE1 on the mainboard.

You can ignore the setting of the CD-ROM drive. Connect one end of the 40-pin cable to the drive, and the other end to connector IDE2 on the mainboard.

We recommend you use this method, which has no influence on HDD speed.

Method 2: Set the hard disk drive used for boot up at Master, connect one end of the 40-pin cable to the drive, and the other end to connector IDE1 on the mainboard.

Set the other hard disk drive at Master, and be sure that the CD-ROM drive is set at Slave. Most of CD-ROM drives are set at Slave as a default, so you will normally not have to set the CD-ROM drive. After you have verified the settings, connect one connector of the 40-pin cable to the HDD, another connector to the CD-ROM drive, and the other end of the cable to connector IDE2 on the mainboard.

**Installing three HDDs:** The red line on the connection cable must be lined up with pin 1 on the connector.

Method 1: Set the hard disk drive used for boot up at Master, set the second drive at Slave. Connect one connector of the 40-pin cable to the first drive, another connector to the second drive, and the other end of the cable to connector IDE1 on the mainboard.

Set the other (the third) drive at Master, and connect one end of the 40-pin cable to the drive, and the other end to connector IDE2 on the mainboard.

Method 2: Set the hard disk drive used for boot up at Master, and connect one end of the 40-pin cable to the drive and the other end to connector IDE1 on the mainboard. Set another drive (the second drive) at Master and the third drive at Slave, connect one connector of the 40-pin cable to the second drive, another connector to the third drive, and the other end of the cable to connector IDE2 on the mainboard.

**Installing three HDDs + one CD-ROM drive:** The red line on the connection cable must be lined up with pin 1 on the connector.

Set the hard disk drive used for boot up at Master, set another HDD (the second) at Slave, connect one connector of the 40-pin cable to the first drive, another connector to the second drive, and the other end of the cable to connector IDE1 on the mainboard.

Set the third hard disk drive at Master, set the CD-ROM drive at Slave, connect one connector of the 40-pin cable to the third HDD, another connector to the CD-ROM drive, and the other end of the cable to connector IDE2 on the mainboard.

### **BIOS Setup:**

- ◆ If all your HDDs are new, you can use the **IDE HDD Auto Detection** option in the CMOS to autodetect the parameters of all your drives. You don't need to set any hard disk parameter.
- ◆ If one or several of your HDDs are old, and if you don't know their parameters, and you want to reconfigure your drives, you can also use the **IDE HDD Auto Detection** option in the CMOS to autodetect the drives parameters.

- ◆ If one or several of your HDD are old, and if you don't want to erase the data stored in your drives, you will have to remember the parameters (Type, Cylinders, Heads, Sectors, Mode) of the drive(s) you don't want to erase. After you have used the **IDE HDD Auto Detection** option in the CMOS, enter the **Standard CMOS Setup Menu** to change the settings of the related hard disk drive.

**Software use:**

The basic step in using a hard disk drive is to make a **HDD Low Level Format**, than run **FDISK**, and than **FORMAT** the drive. Most of present HDD have already been subjected to low level format at the factory, so you probably can skip this operation.

Boot with a bootable floppy disk, then enter **FDISK**.

Using **FDISK**: (DOS command)

This command is found in the DOS disks.

**FDISK** is a tool used to organize and to partition the hard disk. The hard disk must have been partitioned before use. You can create one unique partition on the hard disk, or create several partition and use a different Operating System on each partition. Just don't forget that you have to specify an Active partition, otherwise your hard disk will not be bootable. For further information about **FDISK**, refer to the **FDISK** section in the DOS user's manual.

After you have partitioned the hard disk with **FDISK**, the system will reboot automatically. Boot from a system floppy disk, and type **FORMAT C:/S**

Using **FORMAT**: (DOS command)

This command is found in the DOS disks.

**FORMAT** is used to format the hard disk. The HDD have to be formatted before use. Don't forget to add **/S** after **C:**, otherwise the hard disk will not be bootable after formatting.

## **Appendix F    Technical Support**

---

### ☹ When you have a problem during operation...

In order to help our technical support personnel to quickly find out what is the problem of your mainboard and to give you the answers you need, before filling in the technical support form, eliminate any peripheral that is not related to the problem, and indicate on the form the key peripherals. Fax this form to your dealer or to the company where you bought the hardware in order to benefit from our technical support. (You can refer to the examples given below.)



Example 1: With a system including: mainboard (with CPU, DRAM, COAST...) HDD, CD-ROM, FDD, VGA CARD, MPEG CARD, SCSI CARD, SOUND CARD..., after the system is assembled, if you cannot boot up, check the key components of the system using the procedure described below.

First remove all interface cards except the VGA card and try to reboot.

☞ If you still cannot boot up:

Try installing another brand/model VGA card and see if the system will start. If it still does not start, note the VGA card model, mainboard model, Bios identification number, CPU on the technical support form (refer to main instructions), and describe the problem in the problem description space provided.

☞ If you can boot up:

Insert back the interface cards you have removed one by one and try to start the system each time you insert a card, until the system doesn't start anymore. Keep the VGA card and the interface card that causes the problem inserted on the mainboard, remove any other card or peripheral, and start again. If you still cannot start, note down the information related to both cards in the Add-On Card space provided, and don't forget to indicate the mainboard model, version, BIOS identification number, CPU (refer to main instructions), and give a description of the problem.



Example 2: With a system including the mainboard (with CPU, DRAM, COAST...) HDD, CD-ROM, FDD, VGA CARD, LAN CARD, MPEG CARD, SCSI CARD, SOUND CARD, after assembly and after having installed the Sound Card Driver, when you restart the system, when it runs the Sound Card Driver, it resets automatically. This problem may be due to the Sound Card Driver. During the Starting DOS... procedure, press SHIFT (BY-PASS) key, to skip CONFIG.SYS and AUTOEXEC.BAT; edit CONFIG.SYS with a text editor, and in front on the line that loads the Sound Card Driver, add a remark REM, in order to disable the Sound Card Driver. See the example below.

```
CONFIG.SYS:  
DEVICE=C:\DOS\HIMEM.SYS  
DEVICE=C:\DOS\EMM386.EXE HIGHSCAN  
DOS=HIGH,UMB  
FILES=40  
BUFFERS=36  
REM DEVICEHIGH=C:\PLUGPLAY\DWCFGMG.SYS  
LASTDRIVE=Z
```

Restart the system. If the system starts and does not reset, you can be sure that the problem is due to the Sound Card Driver. Note down the Sound Card model, mainboard model, BIOS identification number on the technical support file (refer to main instructions), and describe the problem in the space provided.







**Technical Support Form**

Company name:

☎ Phone #:

☺ Contact:

☎ Fax #:

Model	*	BIOS ID #	*
Mainboard model no.	*	DRIVER REV	
OS/Application	*		
Hardware name	Brand	Specifications	
C.P.U	*		
HDD <input type="checkbox"/> IDE1 <input type="checkbox"/> IDE2			
CD-ROM Drive <input type="checkbox"/> IDE1 <input type="checkbox"/> IDE2			
System Memory (DRAM)			
COAST			
ADD-ON CARD			

✍ Problem Description: \_\_\_\_\_

\_\_\_\_\_

\_\_\_\_\_

 **Main instructions...**

To fill in this “Technical Support Form”, refer to the step-by-step instructions given below:

**\*1. MODEL:** Note the model number given in your user’s manual.

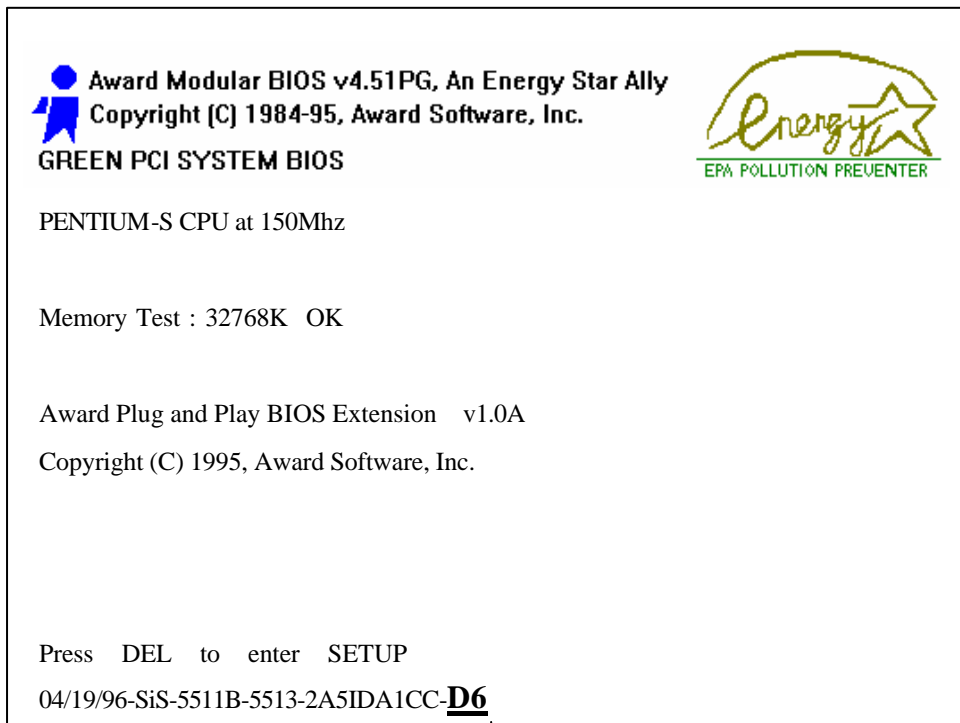
Example: PT5R2, PR5R2...

**\*2. Mainboard model number (REV):** Note the mainboard model number labeled on the mainboard as “REV:\*.\*\*”.

Example: REV:2.11

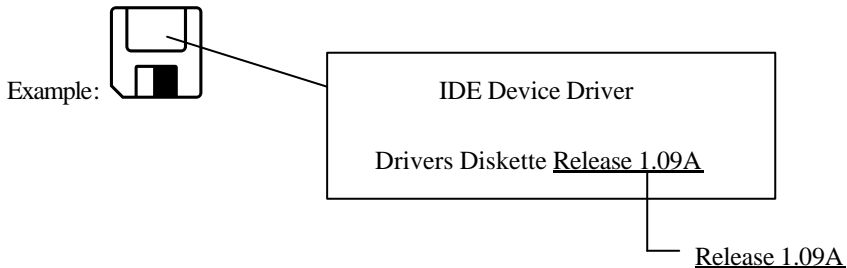
**\*3. BIOS ID# :** See below:

Example:



“D6” is the BIOS ID number.

- 4. DRIVER REV:** Note the driver version number indicated on the DEVICE DRIVER disk as “Release \*.\*”.



- \*5. OS/APPLICATION:** Indicate what are the operating system and the applications your are running on the system.

Example: MS-DOS 6.22, Windows 3.1....

- \*6. CPU:** Indicate the brand and the speed (MHz) of your CPU.

Example: (A) In the “Brand” space, write “Intel”, in the “Specifications” space, write “150MHz”.

(B) In the “Brand” space, write “Cyrix”, in the “Specifications” space, write “P166+”.

(C) In the “Brand” space, write “AMD”, in the “Specifications” space, write “P75”.

- 7. HDD:** Indicate the brand and specifications of your HDD(s), specify if the HDD is using  IDE1 or  IDE2. If you know the disk capacity, indicate it and check (“✓”) “”; in case you give no indication, we will consider that your HDD is “ IDE1” Master.

Example: In the “HDD” space, check the box, in the Brand space, write “Seagate”, in the Specifications space, write “ST31621A (1.6GB)”.

- 8. CD-ROM Drive:** Indicate the brand and specifications of your CD-ROM drive, specify if it uses  IDE1 or  IDE2 , and check (“✓”) “”; in case you give no indication, we will consider that your CD-ROM is “ IDE2” Master.

Example: In the “CD-ROM drive” space, check the box, in the Brand space, write “Mitsumi”, in the Specifications space, write “FX-400D”.

- 9. System Memory (DRAM):** Indicate the brand and specifications (SIMM/DIMM) of your system memory.

Examples:

In the Brand space, write “Panasonic”, in the Specifications space, write “SIMM-FP DRAM 4MB-06”.

Or, in the Brand, write “NPNX”, in the Specifications space, write “SIMM-EDO DRAM 8MB-06”.

Or, in the Brand space, write “SEC”, in the Specifications space, write “DIMM-S DRAM 8MB-G12”.

- 10. COAST:** Indicate the brand and specifications of your COAST.

Example: In the Brand space, write “Winbond”, in the Specifications space, write “256KB” or “W25P010AF-8”.

- 11. ADD-ON CARD:** Indicate which add-on cards you are “absolutely sure” are related to the problem.

If you cannot identify the problem origin, indicate all the add-on cards inserted into your system.

**Note:** *Items between the “ ” are absolutely necessary.*

# Appendix G      Flash BIOS User Instructions

---

FLASH MEMORY WRITER v5.33 Copyright ( C ) 1996, Award Software, Inc.,
AWDFLASH [(FLASH) [PATH] [FILENAME]] [/Py, Pn] [(SAVE) [PATH] [FILENAME]] [/Sy, Sn] [(CLEAR CMOS) [/CC]] [(CLEAR PnP) [/CP] [/?]  [Py/Pn] PROGRAM BIOS ANSWER Y or N. [Sy/Sn] SAVE OLDBIOS ANSWER Y or N. [/?] FOR HELP ! EXAMPLE 1 : AWDFLASH NEWBIOS /Py SAVEBIOS /Sy EXAMPLE 2 : AWDFLASH NEWBIOS SAVEBIOS /CC EXAMPLE 3 : AWDFLASH NEWBIOS /Sn /CP EXAMPLE 4 : AWDFLASH /Pn SAVEBIOS
Error message:

Example 1      To update BIOS and create a backup of the current system BIOS execute this command:

**AWDFLASH   NEWBIOS   /Py   SAVEBIOS   /Sy**

Example 2      To update BIOS, create a backup of current system BIOS, and clear the CMOS, execute this command:

**AWDFLASH   NEWBIOS   SAVEBIOS   /CC**

Example 3      To update BIOS and clear PnP settings execute this command:

**AWDFLASH   NEWBIOS   /Sn   /CP**

Example 4      To make a backup of the current system BIOS execute the following command:

**AWDFLASH   NEWBIOS   /Pn   SAVEBIOS**

Notes:      “NEWBIOS” indicates file name for the new BIOS which can be downloaded from our website at <http://www.abit.com.tw> (user can choose a different file name in place of NEWBIOS).

“SAVEBIOS” indicates the filename of the old system BIOS (user can choose a different file name in place of SAVEBIOS).

Explanation of parameter names:

- /CC: Clears CMOS data
- /CP: Clears PnP data

Remarks:

- ★ When executing AWDFLASH.EXE, do not run HIMEM.SYS and EMM386.EXE in the CONFIG.SYS.
- ★ Please take the following actions to solve problems caused by power shortage or other unpreventable malfunctions during BIOS update that lead to update failure. First, it is strongly suggested that you format a disk that can boot your computer before you update your BIOS. If the above mentioned problem occurs during BIOS update you will be able to use this disk to automatically execute a BIOS update. The content of the disk should be the following:
  - a. Startup system files (COMMAND.COM, MSDOS.SYS, IO.SYS...)
  - b. AWDFLASH.EXE
  - c. The NEWBIOS file which can be downloaded from ABIT's website.
  - d. AUTOEXEC.BAT, which has the following content:  
**A:\AWDFLASH NEWBIOS /Py /Sn**
- ★ When a version of BIOS that is for the incorrect mainboard model the following message will appear:  
**“The program file's part number does not match with your system!”**