

## Quick Jumper Setting Reference

---

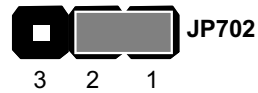
If you are familiar with most of the material in this chapter, you can begin preparing the mainboard for installation by using this quick reference to set the jumpers. A detailed description of jumper settings appears later in this chapter.

**Note:** Jumpers and pin numbers are displayed according to the orientation of the illustration on page 錯誤! 尚未定義書籤。

### **JP702: Enable/disable onboard modem**

Use this 3-pin jumper to enable or disable the onboard modem.

Function	Jumper Setting
Enable onboard modem	Short pins 1-2
Disable onboard modem	Short pins 2-3



### **JP703: Enable/disable onboard audio**

Use this 3-pin jumper to enable or disable the onboard audio.

Function	Jumper Setting
Disable onboard audio/modem	Short pins 1-2
Enable onboard audio	Short pins 2-3



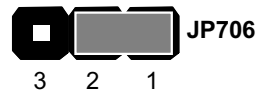
---

**Note:** Disabling JP703 also disables the onboard fax/modem even if JP702 is enabled.

### **JP706: Enable/disable onboard LAN**

Use this 3-pin jumper to enable or disable the onboard LAN.

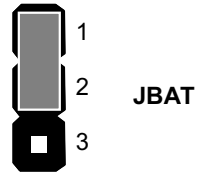
Function	Jumper Setting
Enable onboard LAN	Short pins 1-2
Disable onboard LAN	Short pins 2-3



### **JBAT: Clear CMOS Memory**

Use this jumper to clear the contents of CMOS memory.

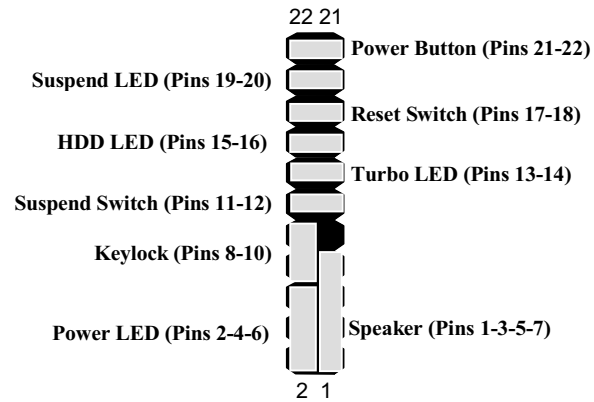
Function	Jumper Setting
Normal operation	Short pins 1-2
Clear CMOS memory	Short pins 2-3



### **J50 Panel Connector**

The mainboard J50 connector has a standard set of switch and indicator connectors that are commonly found on ATX system cases. Use the illustration below to make the correct connections to the case switches and indicators.

Function	Pins
Speaker	1, 3, 5, 7
Power LED Indicator	+2, 4, 6
Keylock	8, 10
Suspend Switch	11, 12
Turbo LED Indicator	+13, 14
Hard Disk LED Indicator	+15, 16
Reset Switch	17, 18
Suspend LED Indicator	+19, 20
Power Button	21, 22



**Note:** The plus sign (+) indicates a pin which must be connected to a positive voltage.