

SERVICE MANUAL

L295P / L297P

LCD PC



LCD Computer
L295P/L297P Series
Service Manual

Notice

The company reserves the right to revise this publication or to change its contents without notice. Information contained herein is for reference only and does not constitute a commitment on the part of the manufacturer or any subsequent vendor. They assume no responsibility or liability for any errors or inaccuracies that may appear in this publication nor are they in anyway responsible for any loss or damage resulting from the use (or misuse) of this publication.

This publication and any accompanying software may not, in whole or in part, be reproduced, translated, transmitted or reduced to any machine readable form without prior consent from the vendor, manufacturer or creators of this publication, except for copies kept by the user for backup purposes.

Brand and product names mentioned in this publication may or may not be copyrights and/or registered trademarks of their respective companies. They are mentioned for identification purposes only and are not intended as an endorsement of that product or its manufacturer.

Version 1.0
November 2003

Trademarks

Intel[®] and **Pentium**[®] are registered trademarks of Intel Corporation.

Windows[®] is a registered trademark of Microsoft Corporation.

Other brand and product names are trademarks and/or registered trademarks of their respective companies.

About this Manual

This manual is intended for service personnel who have completed sufficient training to undertake the maintenance and inspection of personal computers.

It is organized to allow you to look up basic information for servicing and/or upgrading components of the computer.

The following information is included:

Chapter 1, Introduction, provides general information about the location of system elements and their specifications.

Chapter 2, Disassembly, provides step-by-step instructions for disassembling parts and subsystems and how to upgrade elements of the system.

Appendix A, Part Lists

Appendix B, Schematic Diagrams

Appendix C, Clock Ratios

Appendix D, Jumper Settings

Preface

Related Documents

You may also need to consult the following manual for additional information:

User's Manual on CD

This describes the computer's features and the procedures for operating the computer and its ROM-based setup program. It also describes the installation and operation of the utility programs provided with the computer.

Contents

Introduction1-1

Overview	1-1
Model Differences	1-2
System Specifications L295P/L297P	1-3
External Locator - Front View	1-6
External Location - Left & Right Side Views	1-7
External Locator - Rear View	1-8
Mainboard Overview - Top	1-9
Key Parts	1-9
Mainboard Overview - Bottom	1-10
Key Parts	1-10
Mainboard Overview - Top	1-11
Cable Connectors and Switches	1-11
Mainboard Overview - Bottom	1-12
Cable Connectors and Switches	1-12

Disassembly2-1

Overview	2-1
Maintenance Tools	2-2
Connections	2-2
Maintenance Precautions	2-3
Disassembly Steps	2-4
Removing the Hard Disk Drive Assembly	2-5
Removing the LCD Back Cover	2-6
Removing the System Memory	2-7
Removing the CPU	2-8
Removing the I/O Bracket	2-10
Removing the Modem	2-11
Removing the Floppy Disk Drive Assembly	2-12
Removing the Mini PCI I/F Module	2-13

Removing the CD Device Assembly (L295P Series)	2-14
Removing the CD Device Assembly (L297P Series)	2-15

Part ListsA-1

Part List Illustration Location	A-2
L295PA - Base	A-3
L295PA - Bracket	A-4
L295PA - Front	A-5
L295PA - Card Reader Module	A-6
L295PA - Combo	A-7
L295PA - Toshiba DVD	A-8
L295PA - FDD	A-9
L295PA - HDD	A-10
L295PA - Video Capture Module	A-11
L295PB - Base	A-12
L295PB - Bracket	A-13
L295PB - Front	A-14
L295PB - Card Reader Module	A-15
L295PB - Combo	A-16
L295PB - Toshiba DVD	A-17
L295PB - FDD	A-18
L295PB - HDD	A-19
L295PB - Video Capture Module	A-20
L295PT - Base	A-21
L295PT - Bracket	A-22
L295PT - Front	A-23
L295PT - Card Reader Module	A-24
L295PT - Combo	A-25
L295PT - Toshiba DVD	A-26
L295PT - FDD	A-27
L295PT - HDD	A-28

Preface


L295PT - Video Capture Module	A-29	MCH Memory Termination	B-10
L297PB - Base	A-30	DDR RIMM	B-11
L297PB - Bracket	A-31	DVO Chrontel CH7107A	B-12
L297PB - Front	A-32	LCD Connector	B-13
L297PB - Card Reader Module	A-33	CRT & USB	B-14
L297PB - Combo	A-34	ICH5 (Power, LPC, Clock, SMBus)	B-15
L297PB - DVD	A-35	ICH5 (PCI, IDE, UHB, USB, LAN)	B-16
L297PB - CD-ROM	A-36	Thermal & Fan Controller	B-17
L297PB - CDRW	A-37	Cardbus PCI1520	B-18
L297PB - FDD	A-38	IEEE 1394	B-19
L297PB - HDD	A-39	Cardbus Slot & Mini PCI	B-20
L297PB - Video Capture Module	A-40	LAN RTL8100BL	B-21
L297PD - Base	A-41	IDE Connector & Firmware Hub	B-22
L297PD - Bracket	A-42	SIO W83627HF	B-23
L297PD - Front	A-43	Serial & Parallel Port	B-24
L297PD - Card Reader Module	A-44	CODEC	B-25
L297PD - Combo	A-45	Amplifiers & Inverter Connector	B-26
L297PD - DVD	A-46	Power 1	B-27
L297PD - CD-ROM	A-47	Power 2	B-28
L297PD - CDRW	A-48	Power 3	B-29
L297PD - FDD	A-49	Clock Ratios..... C-1	
L297PD - HDD	A-50	System Memory Clock Ratios	C-1
Schematic Diagrams..... B-1		Jumper Settings D-1	
System Block Diagram	B-2	Clean CMOS Jumper Settings (Jumper J5)	D-1
Northwood - 1 of 2	B-3		
Northwood - 2 of 2	B-4		
Clock Generator	B-5		
MCH Power	B-6		
MCH Host	B-7		
MCH AGP	B-8		
MCH Memory	B-9		

1: Introduction

Overview

This manual covers the information you need to service or upgrade the L295P/L297P LCD computer. Information about operating the computer (e.g. getting started, and the *Setup* utility) is in the *User's Manual*. Information about drivers (e.g. VGA & audio) is also found in *User's Manual*. That manual is shipped with the computer.

Operating systems (e.g. *DOS*, *Windows 9x*, *Windows NT 4.0*, *Windows 2000*, *Windows XP*, *OS/2 Warp*, *UNIX*, etc.) have their own manuals as do application software (e.g. word processing and database programs). If you have questions about those programs, you should consult those manuals.



The L295P/L297P LCD computer is designed to be upgradeable. See ***“Disassembly” on page 2 - 1*** for a detailed description of the upgrade procedures for each specific component. Please note the warning and safety information indicated by the “” symbol.

The balance of this chapter reviews the computer's technical specifications and features.

Model Differences

The differences between the model types are indicated in the table and pictures below.

Table 1 - 1
Model Specifications

Feature/Model	L295P(A/B/T) Series	L297P(B/D) Series
LCD Size	15" XGA	17" SXGA
CD Device Location	Left Side	Front
Dimensions	369mm (H) * 384mm (W) * 188mm (D)	395mm (H) * 418mm (W) * 179mm (D)
Weight	8.9 Kg	10.2 Kg
Designs Supported (Additional Colors Also supported)		
		

System Specifications L295P/L297P

Table 1 - 2
L295P/L297P
System
Specifications

Feature	Specifications L295P (A/B/T)	Specifications L297P (B/D)
Processor Types	<p>Intel Pentium®4 with Hyper-Threading Technology (0.13 micron) - 2.4/ 2.6/ 2.8/ 3.0 GHz (800 MHz Front Side Bus) CPU Package - (478-pin) FC-PGA2 512KB L2 Cache (on die)</p> <p>Intel Pentium®4 with Hyper-Threading Technology (0.13 micron) - 3.06 GHz (533 MHz Front Side Bus) CPU Package - (478-pin) FC-PGA2 512KB L2 Cache (on die)</p> <p>Intel Pentium®4 (0.13 micron) - 2.26/ 2.4/ 2.53/ 2.66/ 2.8 GHz (533 MHz Front Side Bus) CPU Package - (478-pin) FC-PGA2 512KB L2 Cache (on die)</p> <p>Intel Celeron® (0.13 micron) - 2.0/ 2.1/ 2.2/ 2.3/ 2.4 GHz (400 MHz front side bus) CPU Package - (478-pin) FC-PGA2 128KB L2 Cache (on die)</p> <p>Intel Celeron® (0.18 micron) - 1.7/ 1.8 GHz (400 MHz front side bus) CPU Package - (478-pin) FC-PGA2 128KB L2 Cache (on die)</p>	
Core Logic	Intel Chipset 865-G	
Security	<p>BIOS Password</p> <p>Security Lock Slot for Kensington-Type Locks</p>	
Memory	<p>Two DIMM Sockets Supporting DDR 266/ 333/ 400 MHz</p> <p>Expandable Memory up to 2GB (128M/256M/512M/1GB DDR DIMM modules)</p>	
BIOS	<p>4MB Flash ROM Phoenix BIOS</p> <p>Supports Plug and Play, ACPI 2.0</p> <p>Intel OSB Support</p>	
LCD	Color TFT 15" XGA LCD Panel (supporting a resolution of 1024*768 256K colors)	Color TFT 17" SXGA LCD Panel (supporting a resolution of 1280*1024 16 million colors)

Introduction

Feature	Specifications L295P (A/B/T)	Specifications L297P (B/D)
Video	865-G Integrated Chipset Video RAM - Shared Memory Architecture (SMA) Supporting DDR Video Shared Memory up to 64MB 2D Hardware Accelerator (for block level transfers of data integrating an extensive set of instructions for 3D)	
Audio	AC97' Compatible SoundBlaster™ and Windows Sound System™ Compatible Three Audio Jacks for Headphone-Out, Line-In, and Microphone-In Two Built-In Speakers (3W)	
Interface	One Serial Port (16550A Compatible, 9 Pin Shell, up to 115Kbps) One Parallel Port (25pin Shell, SPP/Bi-Direction/ECP/EPP Mode Support) One External CRT Port (15-pin D-sub) Two PS/2 Ports (Keyboard & Mouse) Three Audio Jacks For Headphone-out, Line-in, and Microphone-in Four USB 2.0 Ports One RJ-45 Jack for 100M/10M Ethernet LAN One RJ-11 Port for Modem (optional) One IEEE 1394 Port (6 Pin Un-Powered) (optional with the Mini-PCI /IF IEEE 1394 Module) One Mini-PCI /IF IEEE 1394 Module (optional)	
I/O Chip	Winbond W83627HF	
PC Card Sockets	Supports Two Type II Slots or One Type III PCMCIA Slot (Cardbus Support)	
Storage	One 3.5", 1.44MB 3-Mode Floppy Disk Drive (Interchangeable With 6-in-1 Card Reader Module or Video-Capture Module) One 3.5", 25.4mm Height Hard Disk Drive (Ultra-66/100 I/F Support) One Bay for the Optional 12.7mm Height ATAPI CD-ROM, or CD-RW, or DVD-ROM, or DVD-ROM & CD-RW Combo, or DVD/RW+R	
Modem	Removable Internal 56k MDC Data/Fax Modem (optional)	
LAN	On Board 10/100Mbps Base Auto-Detection	
Indicators	LED Indicators (HDD/FDD/CD Device activity, Power)	

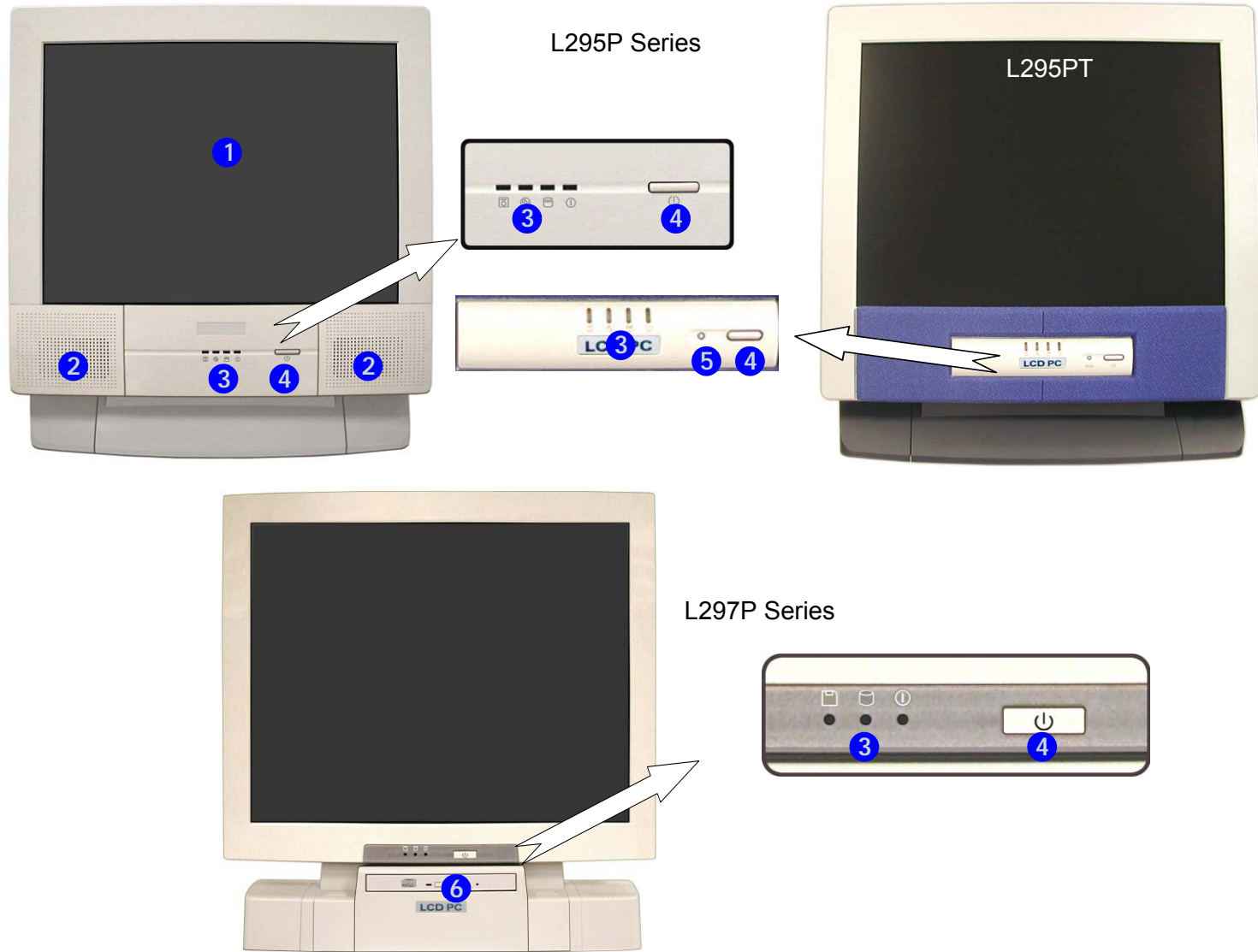
Feature	Specifications L295P (A/B/T)	Specifications L297P (B/D)
Power/ Power Management	Internal Switching Power Supply Full Range - AC in 90~264V, 160W Supports ACPI v1.0b Supports Hibernate Mode Supports Standby Mode	
Other Features	Tilt (0-15°), Swivel (270°)	
Fan Bearing Type	Two Ball Bearings	
Weight	8.9Kg	10.2Kg
Physical Dimensions	369mm (H) * 384mm (W) * 188mm (D)	395mm (H) * 418mm (W) * 179mm (D)
Optional	Mini PCI/IF for IEEE 802.11b or 802.11g Wireless LAN Module Mini PCI/IF for IEEE 1394 Module Internal 56K MDC Data/Fax Modem Module 6-in-1 Card Reader Module Video Capture Card (Supporting S-Video-In and AV Terminal)	

Introduction

External Locator - Front View

Figure 1 - 1
Front View

- 1. LCD Panel
- 2. Speakers
- 3. LED Activity indicators
- 4. Power Button
- 5. Reset Button (L295PT Design Only)
- 6. CD Device (L297P Only)



1 - 6 External Locator - Front View

External Location - Left & Right Side Views

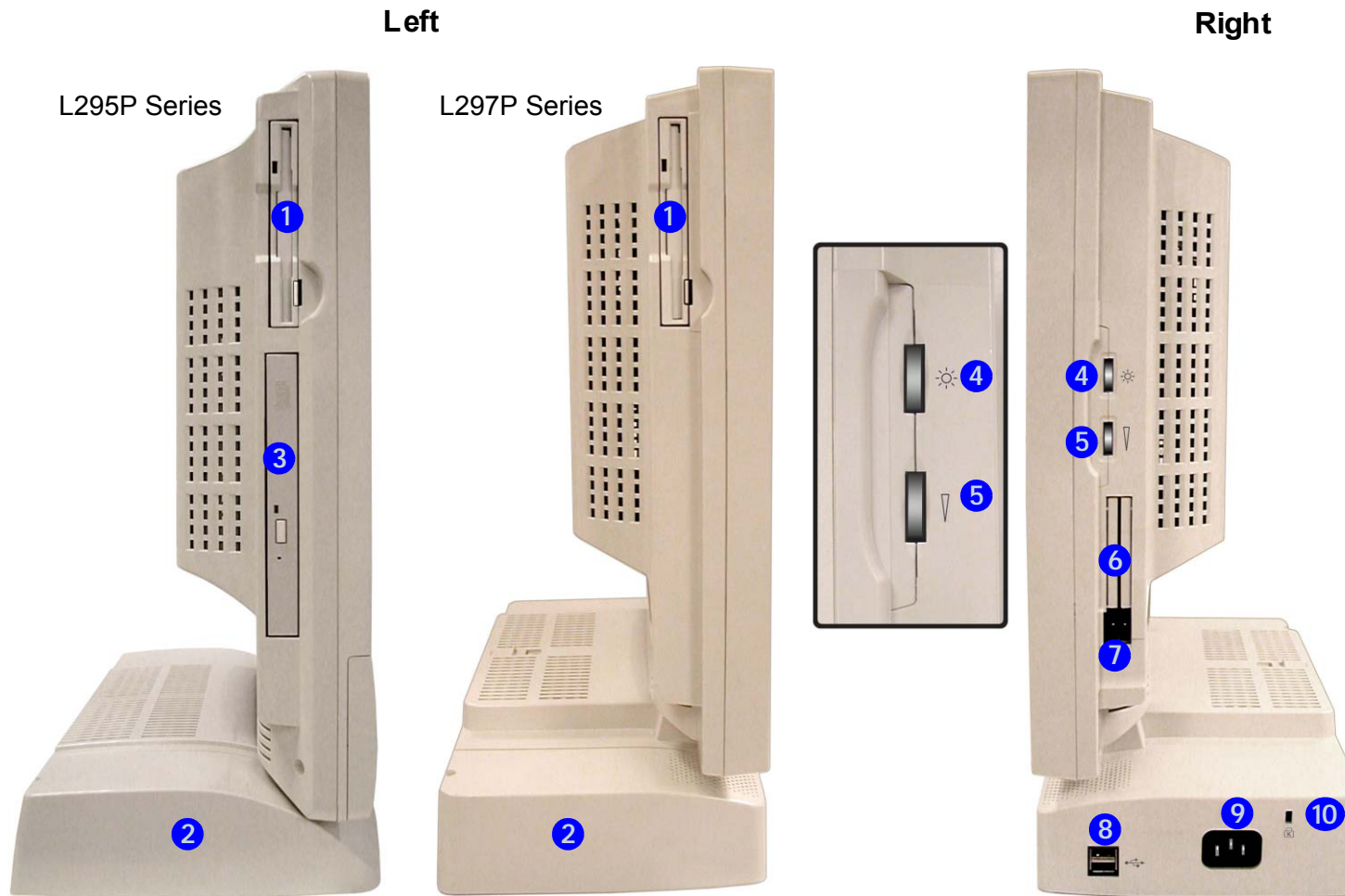


Figure 1 - 2
Left & Right Views

1. Floppy Disk Drive*
Drive*
2. Hard Disk Drive
(HDD) Bay
3. CD Device
(L295P Only)
4. LCD Brightness
Control Knob
5. Volume Control
Knob
6. Dual PC Card
Slots
7. PC Card Eject
Buttons
8. Dual USB Ports
9. AC Power-In Port
10. Security Lock
Slot

*Floppy Disk Drive & Optional Modules

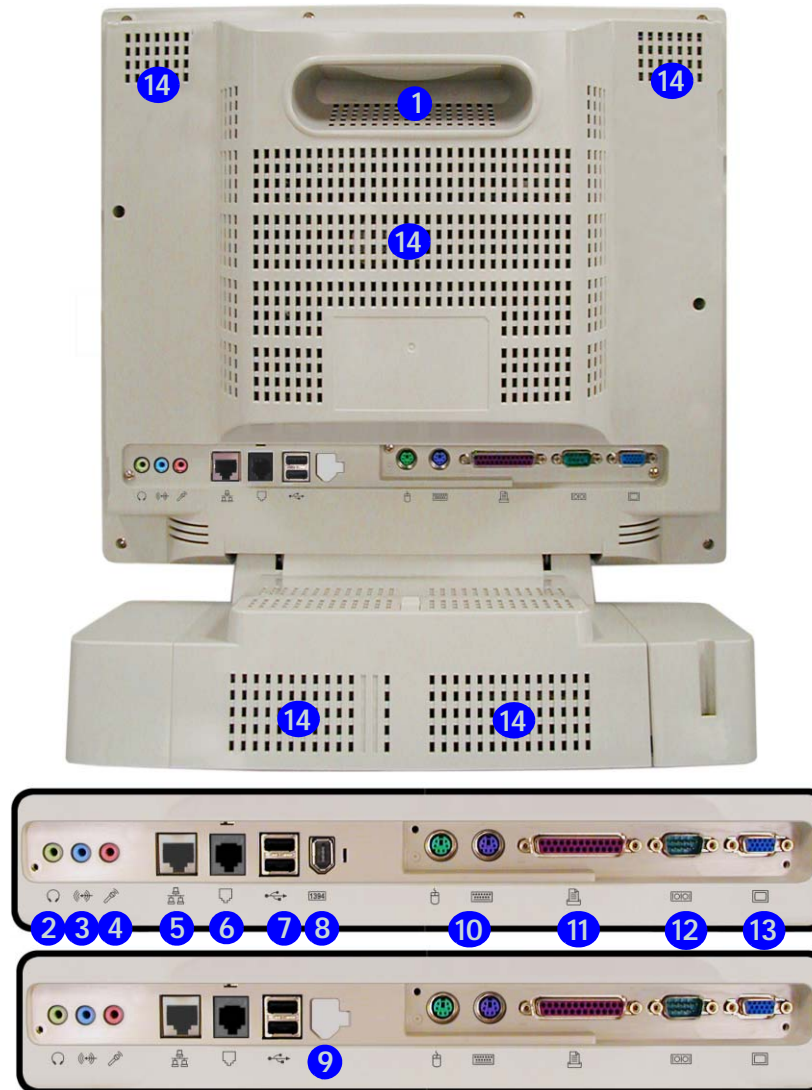
If you have either the **6-in-1 Card Reader**, or **Video Capture Card options**, then the optional module will replace the **floppy disk drive** module in the slot at point **1**.

Introduction

Figure 1 - 3
Rear View

External Locator - Rear View

1. Carrying Handle
2. Headphone-Out Jack
3. Line-In Jack
4. Microphone-In Jack
5. RJ-45 LAN Jack
6. RJ-11 Phone Jack
7. Dual USB Ports
8. Unpowered - IEEE 1394 Port
9. Blocked - IEEE 1394 Port (no option installed)
10. PS/2 Mouse & Keyboard Ports
11. Printer/Parallel Port
12. Serial Port
13. External Monitor (CRT) Port
14. Vents



Mainboard Overview - Top

Key Parts

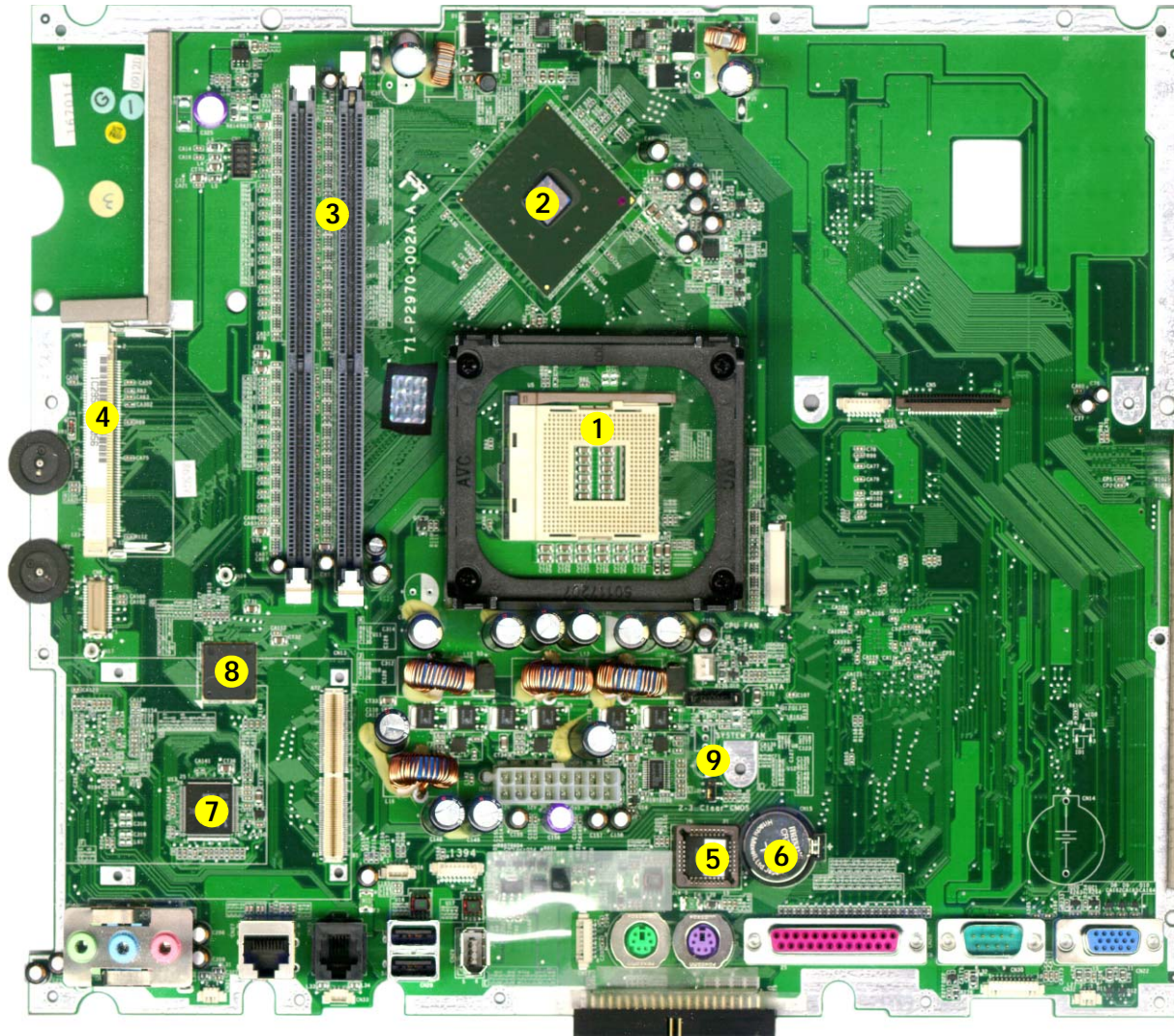


Figure 1 - 4
Mainboard Overview - Top
Key Parts

1. CPU Socket (no CPU Installed)
2. Intel Springdale-G (North Bridge)
3. RAM Sockets
4. Mini PCI Socket for WLAN or IEEE1394
5. FLASH BIOS
6. CMOS Battery
7. Realtek RTL8100BL
8. Cardbus PCI1520
9. CMOS Jumper Switch

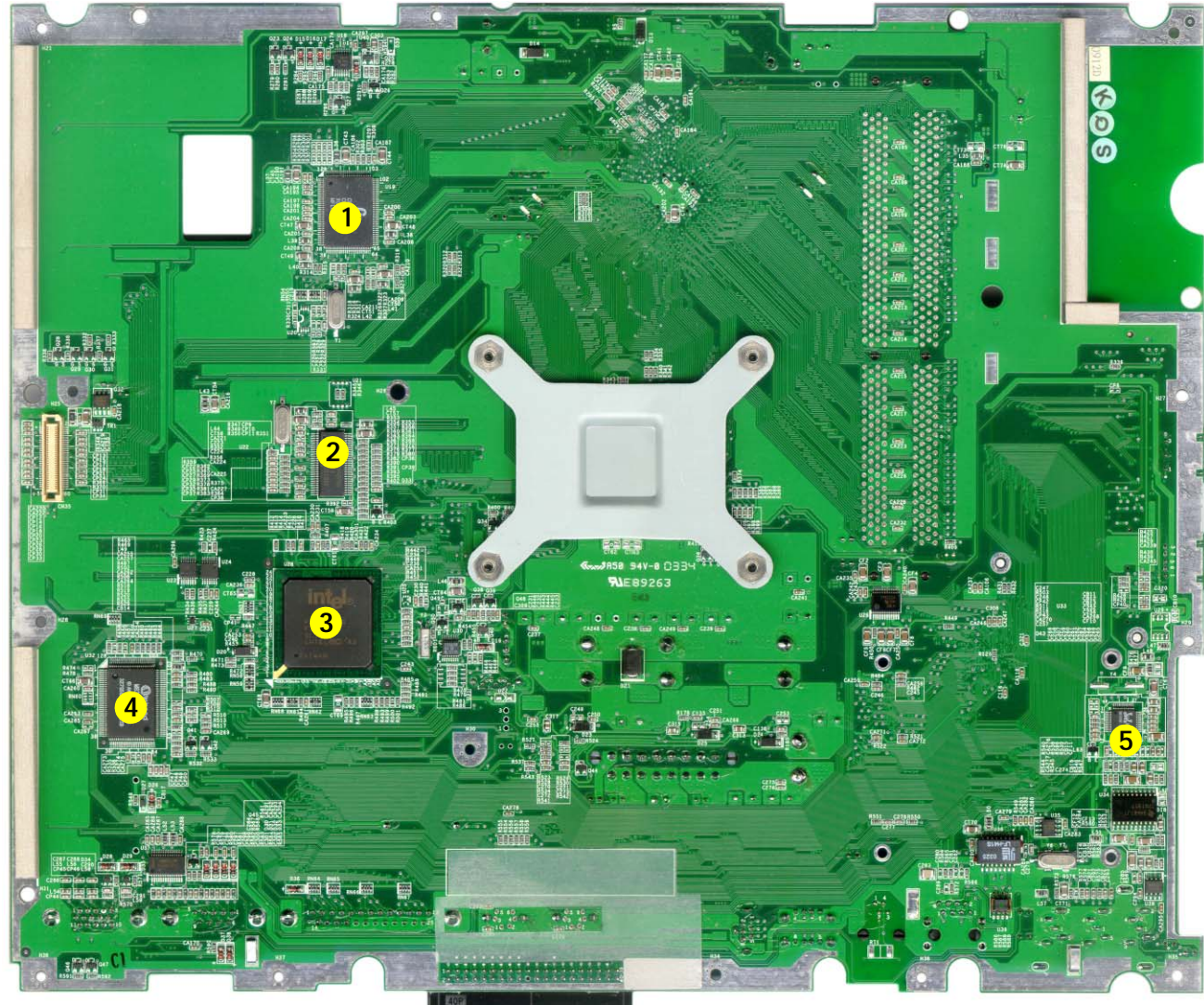
Introduction

Figure 1 - 5
Mainboard Overview - Bottom
Key Parts

1. Chrontel CH7017A
2. Clock Generator
3. Intel ICH-5 460 mBGA (South Bridge)
4. SUPER I/O Winbond W83627HF
5. AC'97 MDC Module

Mainboard Overview - Bottom

Key Parts



Mainboard Overview - Top Cable Connectors and Switches

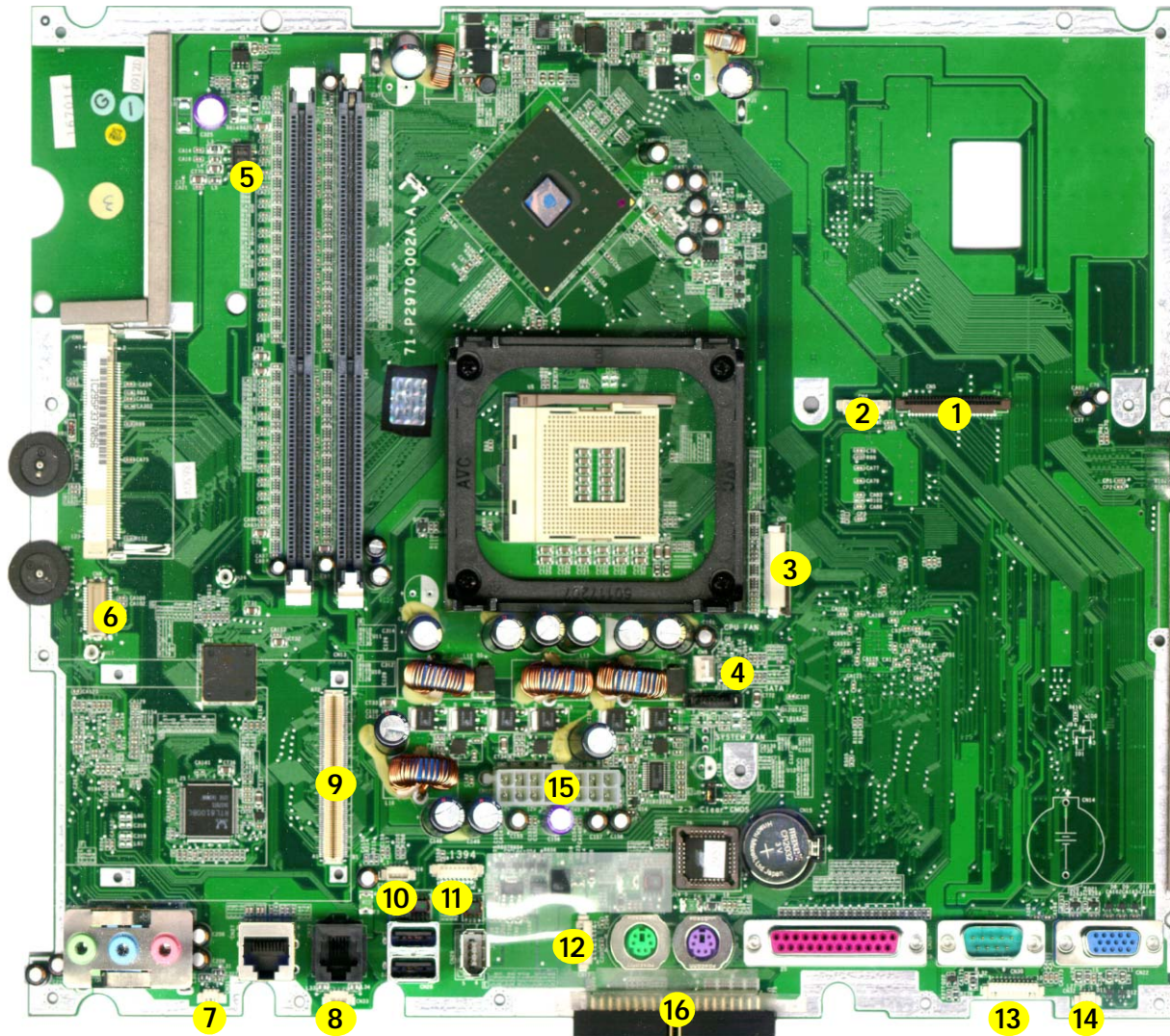


Figure 1 - 6
**Mainboard Top
Cable Connectors &
Switches**

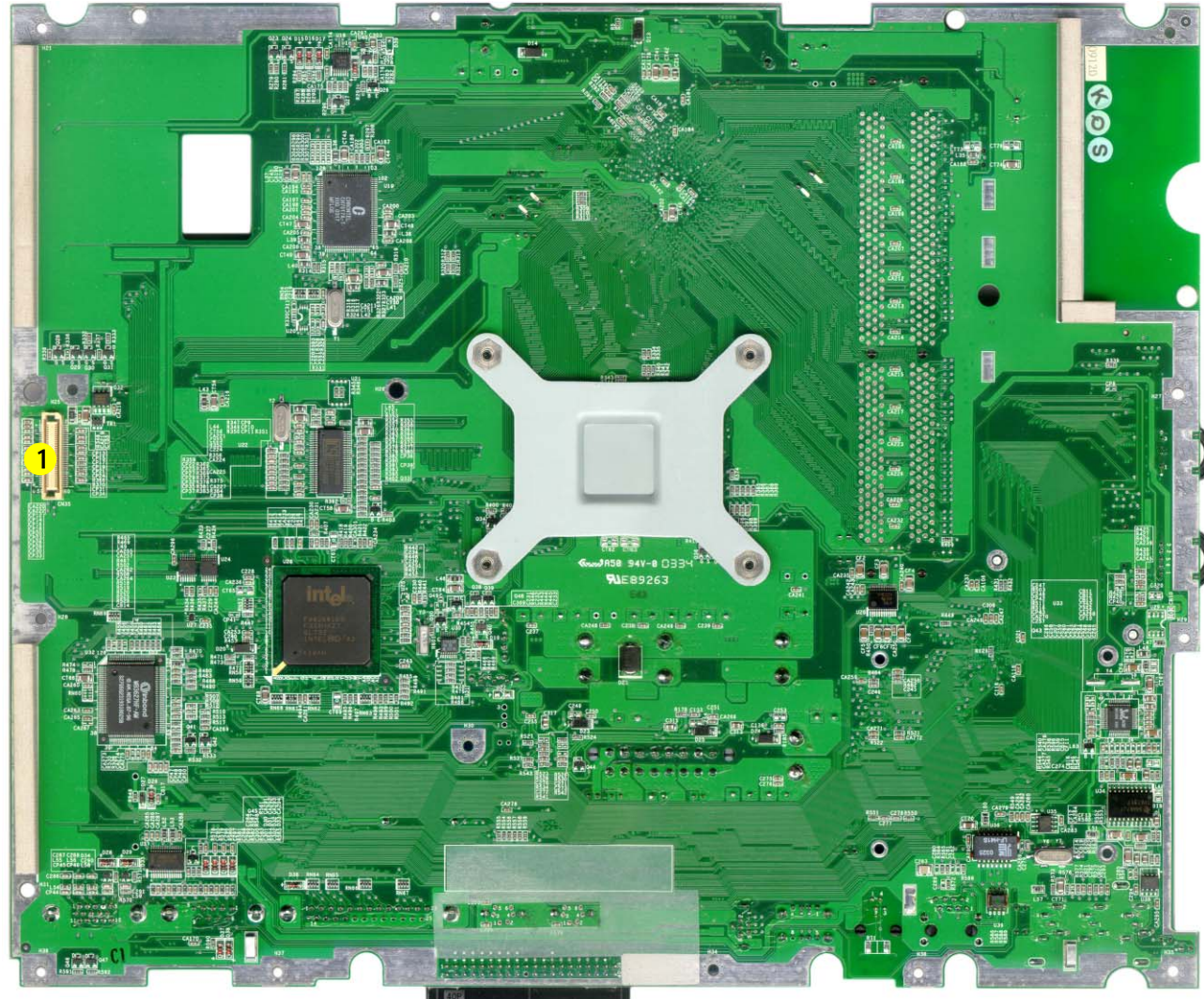
1. Floppy Disk Drive (CN5)
2. Card Reader (CN4)
3. CD/DVD Device (CN7)
4. Fan Power (CN9)
5. Inverter (CN1)
6. Modem Module
7. Speaker (CN31)
8. Modem Cable (CN33)
9. PC CARD (CN13)
10. Touch Screen (CN16)
11. IEEE1394 (CN36)
12. USB 2.0 (CN17)
13. LED Board (CN30)
14. Speaker (CN32)
15. Power (CN12)
16. Hard Disk (CN34)

Introduction

Figure 1 - 7
**Mainboard Bottom
Cable Connectors &
Switches**

1. CN35 (LCD Connector)

Mainboard Overview - Bottom Cable Connectors and Switches




2: Disassembly



Overview

This chapter provides step-by-step instructions for disassembling parts and subsystems. When it comes to reassembly, reverse the procedures (unless otherwise indicated).

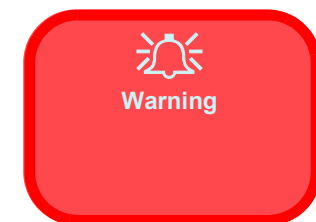
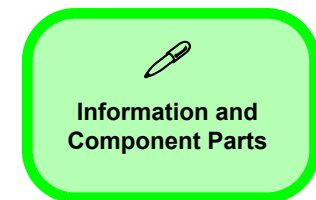
We suggest you completely review any procedure before you take the computer apart.

Procedures such as upgrading/replacing the RAM, CD device and hard disk are included in the User's Manual but are repeated here for your convenience.

To make the disassembly process easier each section may have a box in the page margin. Information contained under the figure # will give a synopsis of the sequence of procedures involved in the disassembly procedure. A box with a  lists the relevant parts you will have after the disassembly process is complete. **Note:** The parts listed will be for the disassembly procedure listed ONLY, and not any previous disassembly step(s) required. Refer to the part list for the previous disassembly procedure. The amount of screws you should be left with will be listed here also.

A box with a  will provide any possible helpful information. A box with a  contains warnings.

An example of these types of boxes are shown in the sidebar.



Disassembly

NOTE: All disassembly procedures assume that the system is turned **OFF**, and disconnected from any power supply, and that all peripheral cables are disconnected (including telephone lines and network cables).

Maintenance Tools

The following tools are recommended when working on the computer:

- M3 Philips-head screwdriver
- M2.5 Philips-head screwdriver (magnetized)
- M2 Philips-head screwdriver
- Small flat-head screwdriver
- Pair of needle-nose pliers
- Anti-static wrist-strap

Connections

Connections within the computer are one of four types:

Locking collar sockets for ribbon connectors	To release these connectors, use a small flat-head screwdriver to gently pry the locking collar away from its base. When replacing the connection, make sure the connector is oriented in the same way. The pin1 side is usually not indicated.
Pressure sockets for multi-wire connectors	To release this connector type, grasp it at its head and gently rock it from side to side as you pull it out. Do not pull on the wires themselves. When replacing the connection, do not try to force it. The socket only fits one way.
Pressure sockets for ribbon connectors	To release these connectors, use a small pair of needle-nose pliers to gently lift the connector away from its socket. When replacing the connection, make sure the connector is oriented in the same way. The pin1 side is usually not indicated.
Board-to-board or multi-pin sockets	To separate the boards, gently rock them from side to side as you pull them apart. If the connection is very tight, use a small flat-head screwdriver - use just enough force to start.

Maintenance Precautions

The following precautions are a reminder. To avoid personal injury or damage to the computer while performing a removal and/or replacement job, take the following precautions:

1. **Don't drop it.** Perform your repairs and/or upgrades on a stable surface. If the computer falls, the case and other components could be damaged.
2. **Don't overheat it.** Note the proximity of any heating elements. Keep the computer out of direct sunlight.
3. **Avoid interference.** Note the proximity of any high capacity transformers, electric motors, and other strong magnetic fields. These can hinder proper performance and damage components and/or data. You should also monitor the position of magnetized tools (i.e. screwdrivers).
4. **Keep it dry.** This is an electrical appliance. If water or any other liquid gets into it, the computer could be badly damaged.
5. **Be careful with power.** Avoid accidental shocks, discharges or explosions.
 - Before removing or servicing any part from the computer, turn the computer off and detach any power supplies.
 - When you want to unplug the power cord or any cable/wire, be sure to disconnect it by the plug head. Do not pull on the wire.
6. **Peripherals** – Turn off and detach any peripherals.
7. **Beware of static discharge.** ICs, such as the CPU and main support chips, are vulnerable to static electricity. Before handling any part in the computer, discharge any static electricity inside the computer. When handling a printed circuit board, do not use gloves or other materials which allow static electricity buildup. We suggest that you use an anti-static wrist strap instead.
8. **Beware of corrosion.** As you perform your job, avoid touching any connector leads. Even the cleanest hands produce oils which can attract corrosive elements.
9. **Keep your work environment clean.** Tobacco smoke, dust or other air-borne particulate matter is often attracted to charged surfaces, reducing performance.
10. **Keep track of the components.** When removing or replacing any part, be careful not to leave small parts, such as screws, loose inside the computer.

Cleaning

Do not apply cleaner directly to the computer, use a soft clean cloth.

Do not use volatile (petroleum distillates) or abrasive cleaners on any part of the computer.



Power Safety Warning

Before you undertake any upgrade procedures, make sure that you have turned off the power, and disconnected all peripherals and cables (including telephone lines). It is advisable to also remove your battery in order to prevent accidentally turning the machine on.

Disassembly Steps

The following lists the disassembly steps, and on which page to find the related information. **PLEASE PERFORM THE DISASSEMBLY STEPS IN THE ORDER INDICATED.**

To remove the hard disk drive assembly:

1. Remove the hard disk drive assembly [page 2 - 5](#)

To remove the LCD back cover:

1. Remove the LCD back cover [page 2 - 6](#)

To remove the system memory:

1. Remove the LCD back cover [page 2 - 6](#)
2. Remove the system memory [page 2 - 7](#)

To remove the CPU:

1. Remove the LCD back cover [page 2 - 6](#)
2. Remove the CPU [page 2 - 8](#)

To remove the I/O Bracket:

1. Remove the LCD back cover [page 2 - 6](#)
2. Remove the I/O bracket [page 2 - 10](#)

To remove the modem:

1. Remove the LCD back cover [page 2 - 6](#)
2. Remove the I/O bracket [page 2 - 10](#)
3. Remove the modem [page 2 - 11](#)

To remove the floppy disk drive assembly:

1. Remove the LCD back cover [page 2 - 6](#)
2. Remove the floppy disk drive assembly [page 2 - 12](#)

To remove the Mini PCI I/F module:

1. Remove the LCD back cover [page 2 - 6](#)
2. Remove the Mini PCI I/F module [page 2 - 13](#)

To remove the L295P series CD/DVD Device:

1. Remove the LCD back cover [page 2 - 6](#)
2. Remove the CD/DVD device [page 2 - 14](#)

To remove the L297P series CD/DVD Device:

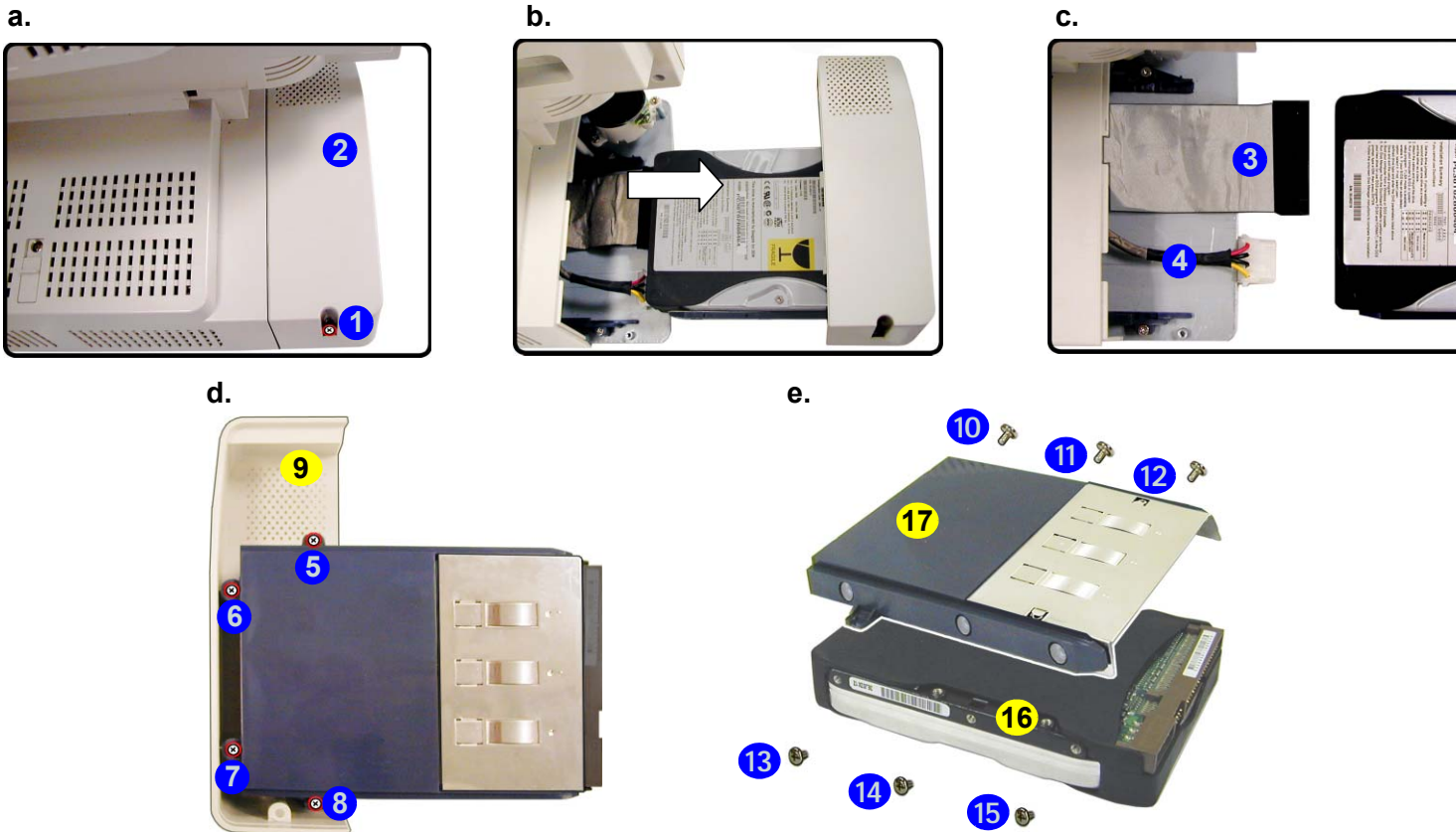
1. Remove the LCD back cover [page 2 - 6](#)
2. Remove the CD/DVD device [page 2 - 15](#)

Removing the Hard Disk Drive Assembly

1. Turn **OFF** the computer and turn it around so that you may comfortably access the left side.
2. Remove screw **1** from the HDD Bay **2**.
3. Carefully pull the HDD assembly out from the bay and disconnect the IDE cable **3**, and power cable **4**.
4. Turn the assembly over and remove screws **(5 - 8)** holding the assembly to the bay cover **9**.
5. Remove screws **10 - 15** and separate the hard disk **16** and case **17**.
6. Insert the new hard disk, and reverse the removal procedures to install the new hard disk.

Figure 2 - 1
Hard Disk Removal
Sequence

- a. Remove the screw from the HDD Bay.
- b. Slide the HDD assembly in the direction of the arrow.
- c. Disconnect the IDE and power cables.
- d. Remove the screws from the assembly.
- e. Remove the screws and separate the HDD from the case.



9. HDD Bay Cover
16. HDD
17. HDD case

- 11 Screws

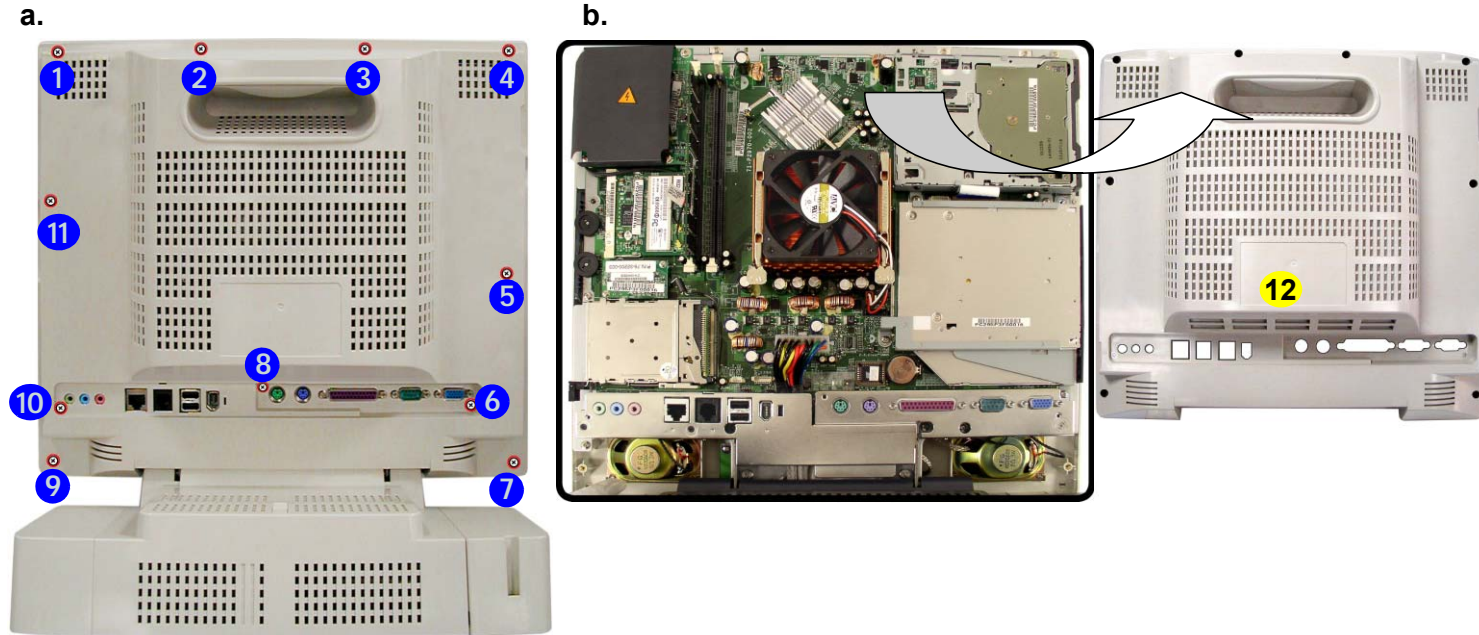
Disassembly

Figure 2 - 2
**LCD Back Cover
Removal
Sequence**

- a. Remove the screws from the LCD back cover.
- b. Lift the cover out and set it aside.

Removing the LCD Back Cover

1. Turn **OFF** the computer and place it with its LCD display facing down on a clean, dry, level surface.
2. Remove screws **1** - **11** from the LCD back cover and slide it up towards the top of the computer.
3. Carefully remove the LCD back cover **12** from the main unit and set it aside.



12. LCD back cover

- 11 Screws

Removing the System Memory

1. Remove the LCD back cover ([page 2 - 6](#)).
2. The memory sockets will be visible at point **1** on the mainboard.
3. For each module you want to replace, gently pull the latches **2** and **3** toward the sides of the socket to release the module.
4. The module **4** will pop-up, and you can remove it.
5. Insert a new module holding it at about a 30° angle and fit the connectors firmly into the memory slot.

Figure 2 - 3
Memory Removal Sequence

- a. Locate the memory sockets.
- b. Pull the latch(es) on the memory sockets to release the module(s).
- c. When the module pops up, lift it out.

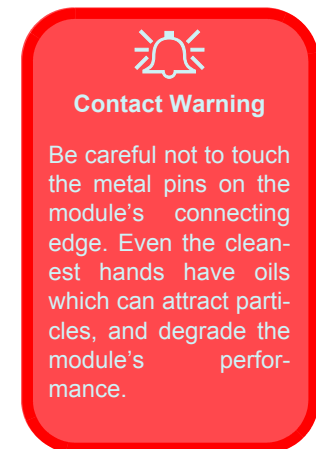
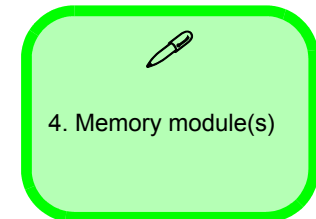
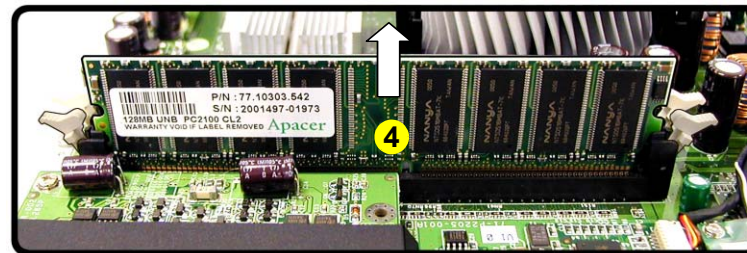
a.



b.



c.



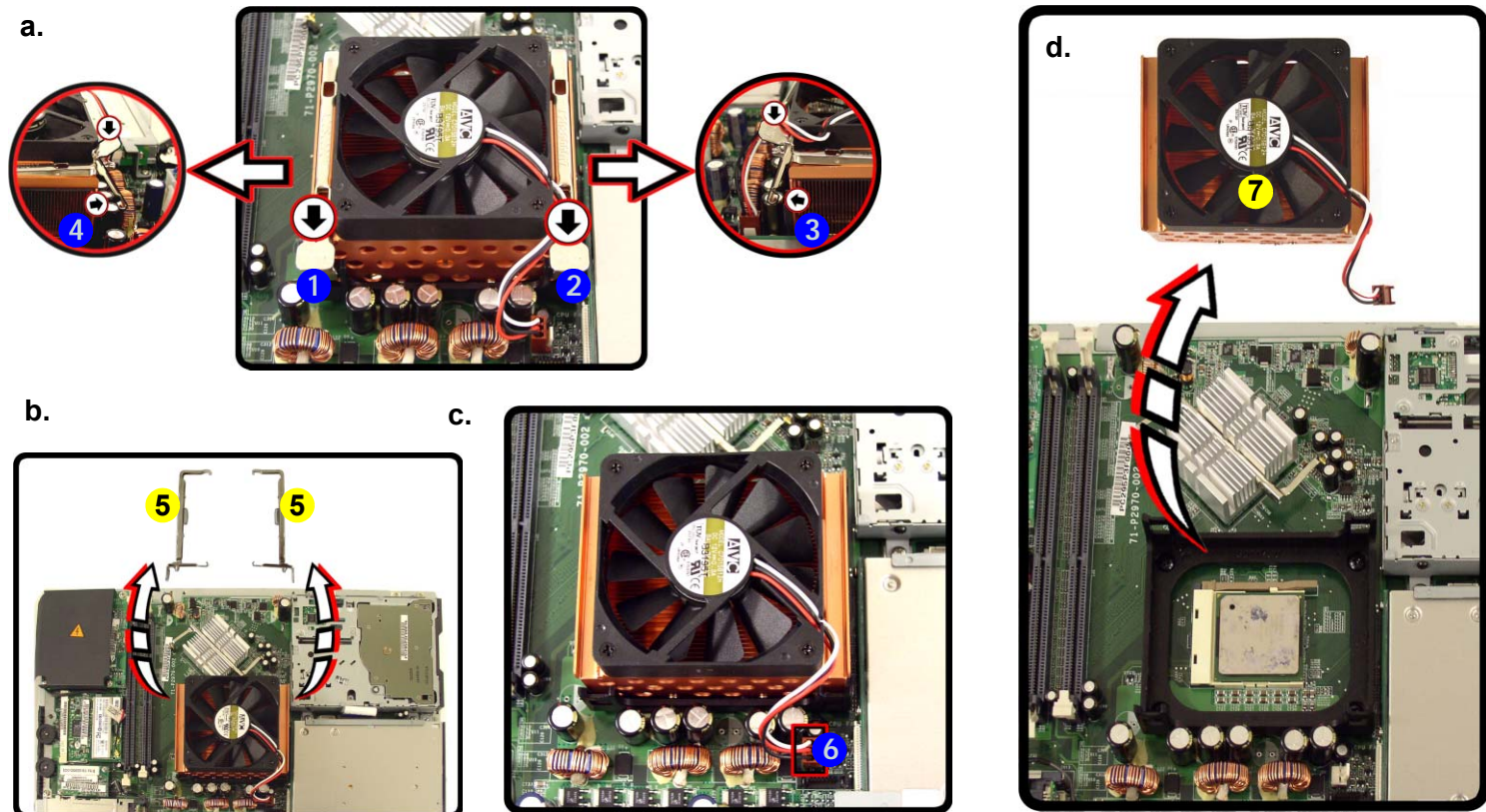
Disassembly

Figure 2 - 4
CPU Removal
Sequence

- Release the latches from the top of the CPU heat sink and fan unit.
- Remove the latches.
- Release the power cable.
- Lift the heat sink & fan unit out.

Removing the CPU

- Remove the LCD back cover ([page 2 - 6](#)).
- Press down and hold each of the latches **1** & **2** (on the top of the CPU heat sink and fan unit) in turn.
- With the latch held down you will be able to release the brackets (at points **3** & **4**), and then ease the brackets **5** off the fan unit.
- Release the power cable **6** from the board and lift out the CPU heat sink fan unit **7**.



Caution

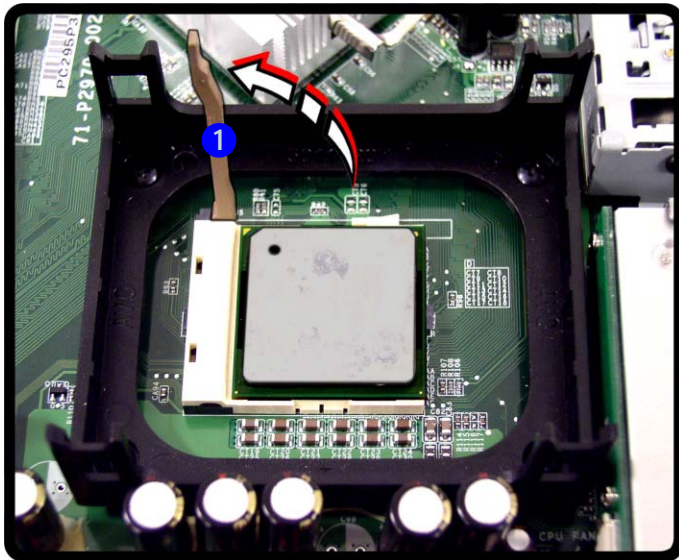
The heat sink, and CPU area in general, contains parts which are subject to high temperatures - Please allow the area time to cool before removing these parts.



- Brackets
- Heat Sink & Fan

5. Move the latch **1** fully in the direction indicated in to unlock the CPU.
6. Carefully (it may be hot) lift the CPU **3** up out of the socket.
7. When re-inserting the CPU pay careful attention to the pin alignment, it will fit only one way (don't force it!).

a.



b.

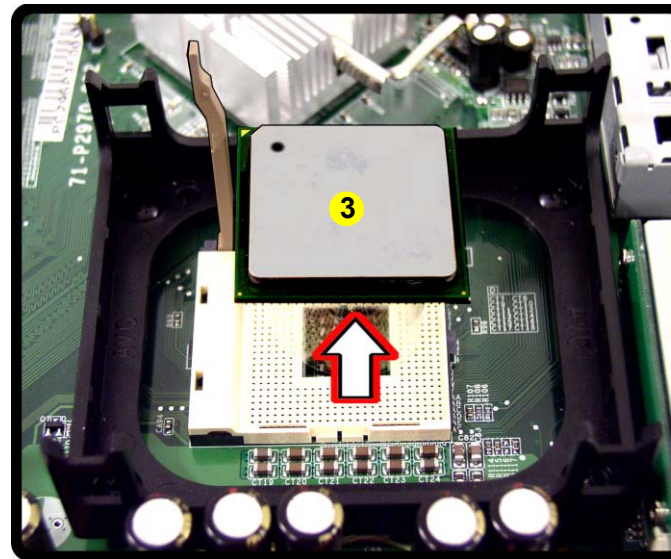
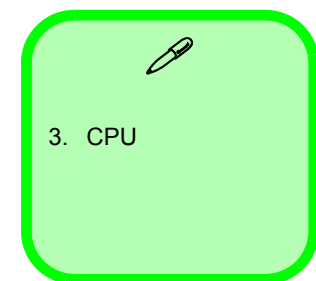


Figure 2 - 5
CPU Removal
Sequence (cont'd)

- a. Lift the latch to unlock the CPU.
- b. Lift the CPU out of the socket.



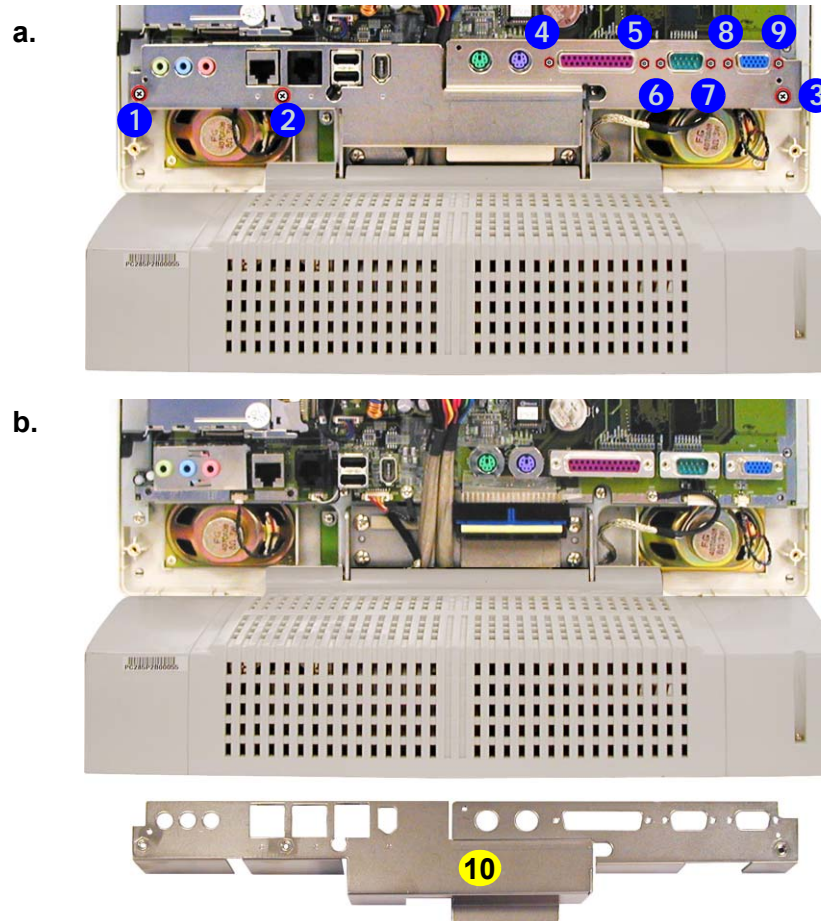
Disassembly

Figure 2 - 6 I/O Bracket Removal Sequence

- a. Remove the screws from the I/O bracket.
- b. Lift the I/O bracket up off the mainboard.

Removing the I/O Bracket

1. Remove the LCD back cover ([page 2 - 6](#)).
2. Remove the standard screws **1** - **3**, and use long-nosed pliers or a nutdriver to remove the hex socket connector type screws **4** - **9**.
3. Carefully ease the I/O bracket **10** off the mainboard.



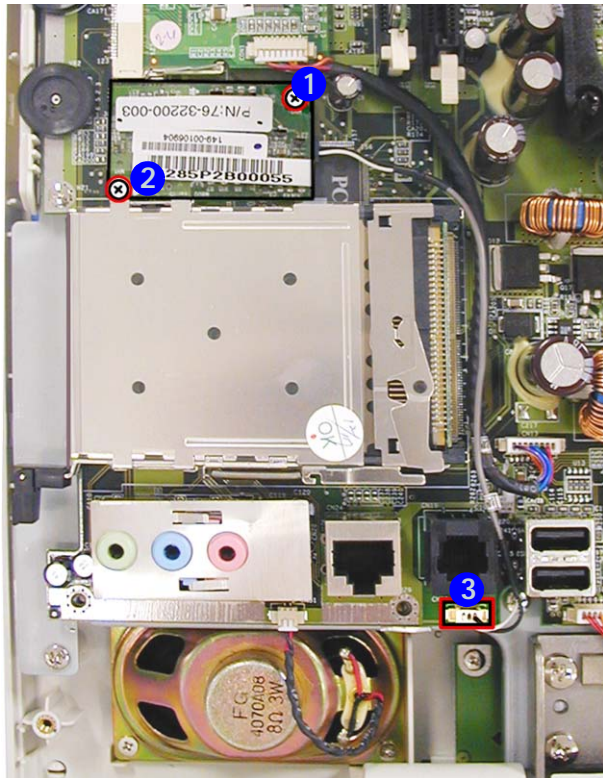
10. I/O bracket

9 Screws

Removing the Modem

1. Remove the LCD back cover ([page 2 - 6](#)) and I/O bracket ([page 2 - 10](#)).
2. Remove screws ① and ② from the modem module and disconnect the modem cable at point ③.
3. Disconnect the modem module ④ from the connector socket ⑤, and lift it and the modem and cable ⑥ off the mainboard.

a.



b.

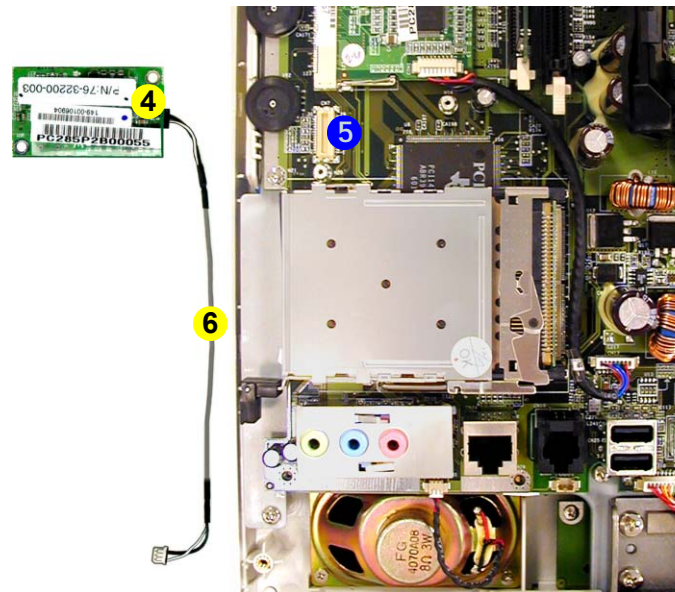



Figure 2 - 7
Modem Removal
Sequence

- a. Remove the screws from the modem unit, and disconnect the cable.
- b. Lift the modem and cable off the board.



4. Modem module
6. Modem cable

- 2 Screws

Disassembly

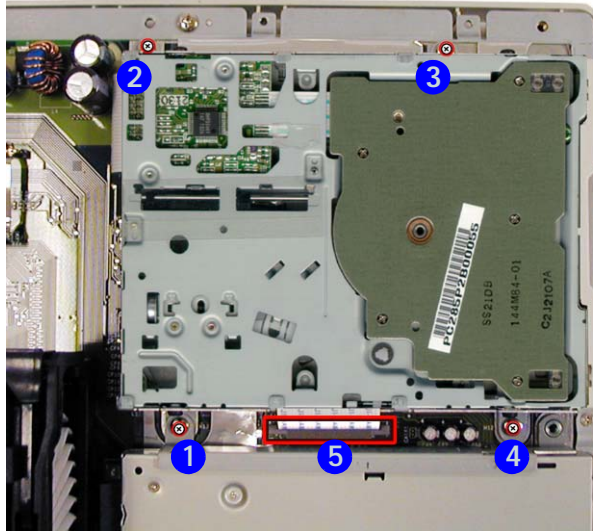
Figure 2 - 8 Floppy Disk Drive Assembly Removal Sequence

- a. Remove the screws from the FDD assembly and disconnect the FDD ribbon cable.
- b. Lift the FDD assembly off the board.

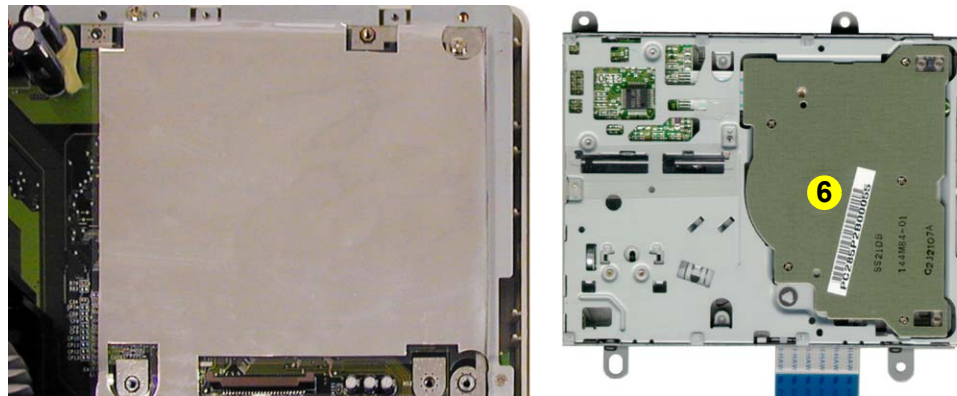
Removing the Floppy Disk Drive Assembly

1. Remove the LCD back cover ([page 2 - 6](#)).
2. Remove screws **1** - **4** from the floppy disk drive assembly.
3. Carefully disconnect the floppy disk drive ribbon cable at point **5**.
4. Lift the floppy disk drive assembly **6** off the mainboard.

a.



b.



6. FDD Assembly

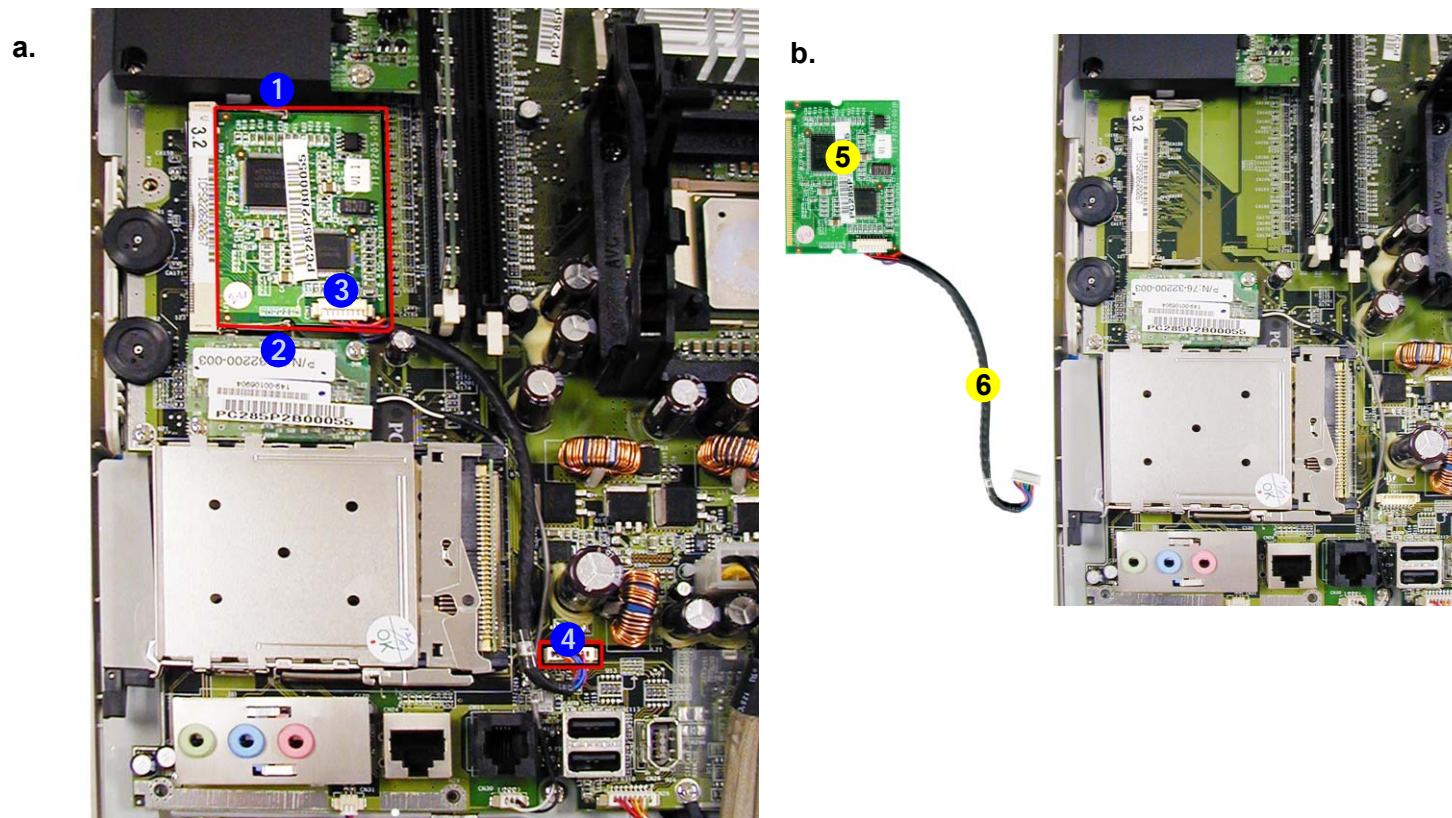
- 4 Screws


Removing the Mini PCI I/F Module

1. Remove the LCD back cover ([page 2 - 6](#)).
2. Release the pins at points **1** & **2** and carefully lift up the Mini PCI I/F module.
3. If the module is the **Mini PCI I/F 1394** (pictured):
Disconnect the cable at point **3** (and **4** if necessary), then lift Mini PCI I/F module **5** and cable **6** off the mainboard.
4. If the module is the **Mini PCI WLAN** (not pictured):
Disconnect the antenna cables at the **RF Main** and **RF Aux** points on the module, then lift Mini PCI I/F module off the mainboard.

Figure 2 - 9
Mini PCI I/F Module Removal Sequence

- a. Release the pins and carefully lift the Mini PCI I/F module up.
- b. Disconnect the cable(s) and lift the Mini PCI I/F module up and out from the mainboard.





5. Mini PCI I/F module
6. Cable (1394 module only)

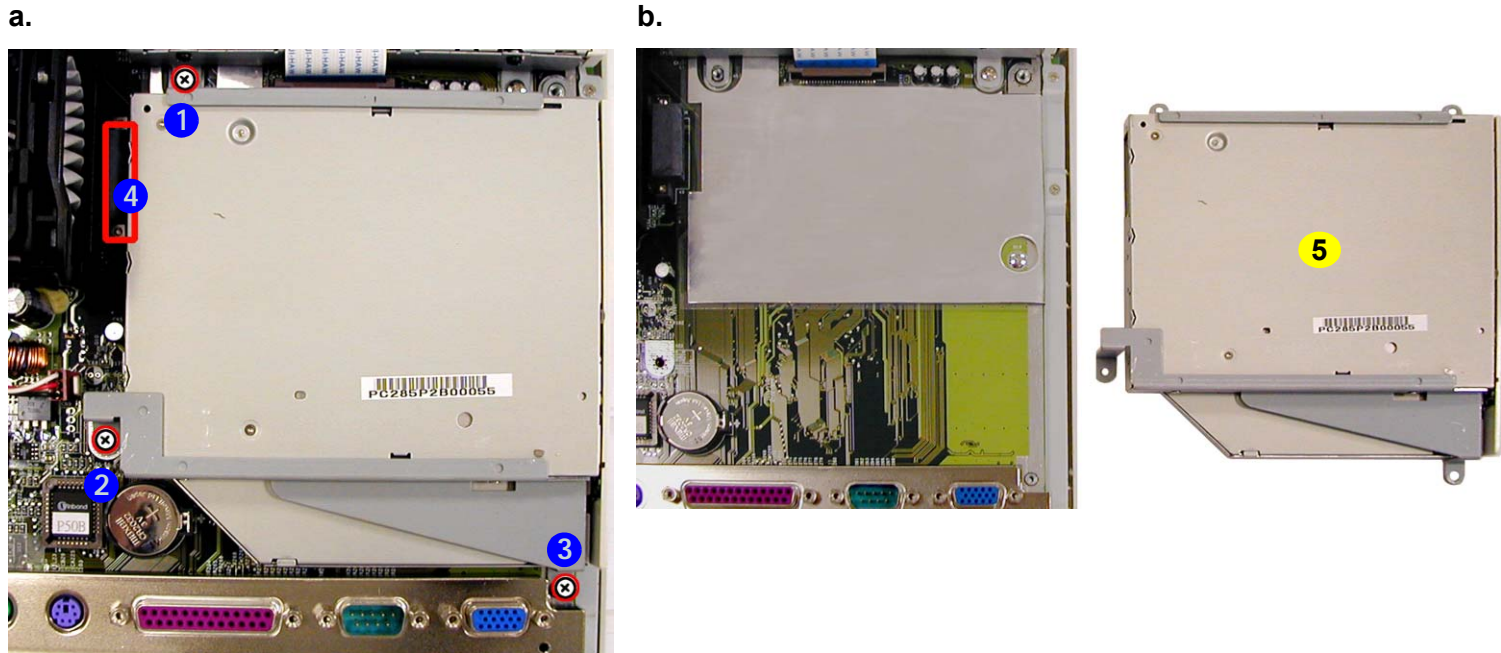
Disassembly

Figure 2 - 10
L295P CD Device
Assembly
Removal
Sequence

Removing the CD Device Assembly (L295P Series)

1. Remove the LCD back cover ([page 2 - 6](#)).
2. Remove screws ① - ③, and disconnect cable ④, from the CD device.
3. Remove the CD Device ⑤.

- a. Remove the screws and disconnect the cable.
- b. Remove the CD Device.



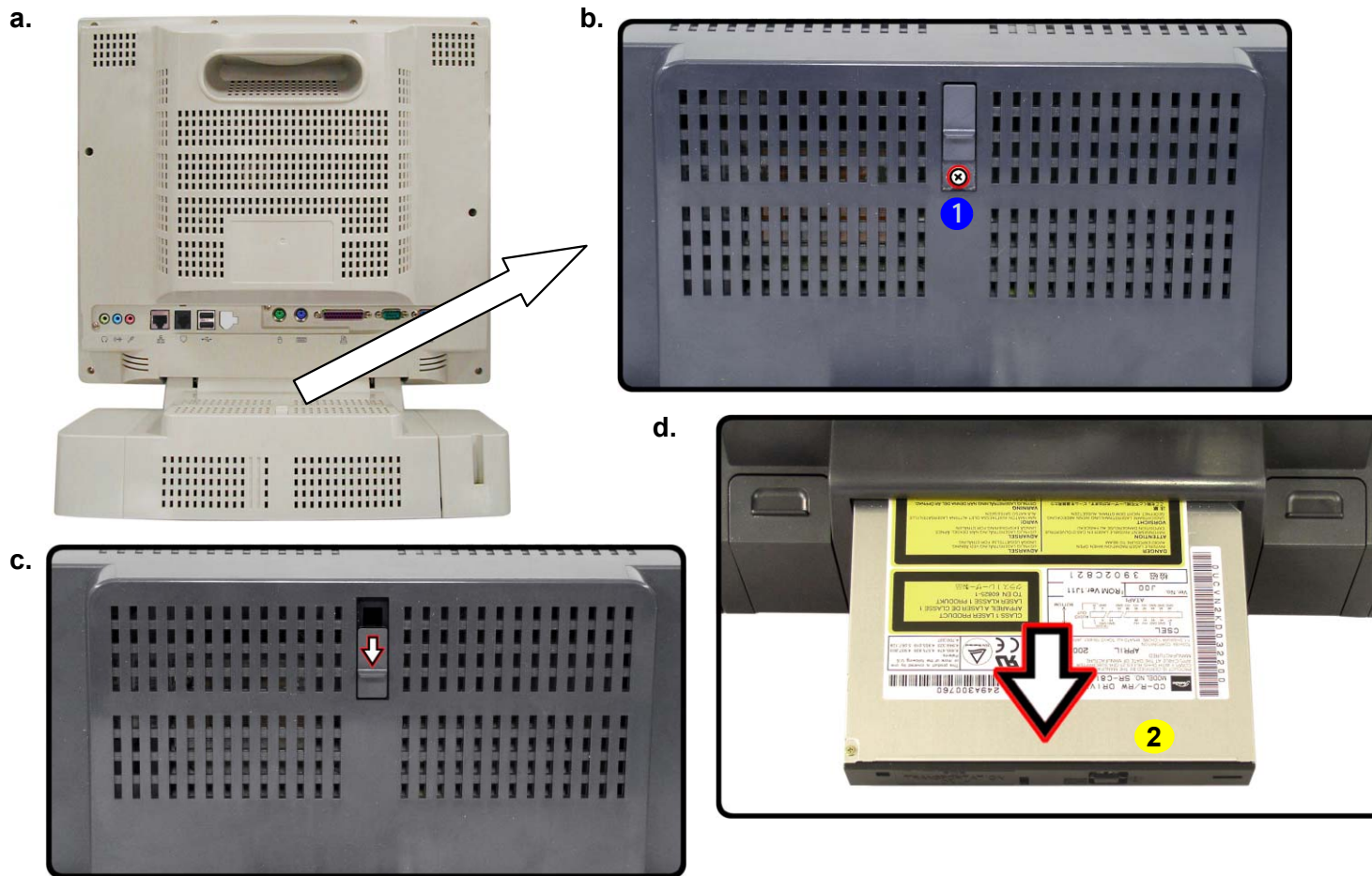
- 5. CD Device
- 3 Screws

Removing the CD Device Assembly (L297P Series)

1. Turn the computer **OFF** and turn it around so that you may comfortably access the rear.
2. Locate the CD-ROM eject switch and remove screw **1**.
3. Push the CD-ROM eject switch to slide the CD device assembly out of the bay.
4. Remove the CD Device **2**.

Figure 2 - 11
L297P CD Device
Assembly
Removal
Sequence

- a. Locate the CD-ROM eject switch at the rear of the computer.
- b. Remove the screw.
- c. Push the switch to slide the CD Device Assembly out of the computer.
- d. Remove the CD Device.



✎

2. CD Device

- 1 Screw

Appendix A: Part Lists

This appendix breaks down the computer's construction into a series of illustrations. The component part numbers are indicated in the tables opposite the drawings.

Note: This section indicates the *manufacturer's* part numbers. Your organization may use a different system, so be sure to cross-check any relevant documentation.

Note: Some assemblies may have parts in common (especially screws). However, the part lists DO NOT indicate the total number of duplicated parts used.

Note: Be sure to check any update notices. The parts shown in these illustrations are appropriate for the system at the time of publication. Over the product life, some parts may be improved or re-configured, resulting in *new* part numbers.

Part List Illustration Location

The following table indicates where to find the appropriate part list illustration.

Part	L295PA - Page #	L295PB - Page #	L295PT - Page #	L297PB - Page #	L297PD - Page #
Base	<i>page A - 3</i>	<i>page A - 12</i>	<i>page A - 21</i>	<i>page A - 30</i>	<i>page A - 41</i>
Bracket	<i>page A - 4</i>	<i>page A - 13</i>	<i>page A - 22</i>	<i>page A - 31</i>	<i>page A - 42</i>
Front	<i>page A - 5</i>	<i>page A - 14</i>	<i>page A - 23</i>	<i>page A - 32</i>	<i>page A - 43</i>
Card Reader Module	<i>page A - 6</i>	<i>page A - 15</i>	<i>page A - 24</i>	<i>page A - 33</i>	<i>page A - 44</i>
Combo	<i>page A - 7</i>	<i>page A - 16</i>	<i>page A - 25</i>	<i>page A - 34</i>	<i>page A - 45</i>
DVD	<i>page A - 8</i>	<i>page A - 17</i>	<i>page A - 26</i>	<i>page A - 35</i>	<i>page A - 46</i>
CD-ROM				<i>page A - 36</i>	<i>page A - 47</i>
CD-RW				<i>page A - 37</i>	<i>page A - 48</i>
FDD	<i>page A - 9</i>	<i>page A - 18</i>	<i>page A - 27</i>	<i>page A - 38</i>	<i>page A - 49</i>
HDD	<i>page A - 10</i>	<i>page A - 19</i>	<i>page A - 28</i>	<i>page A - 39</i>	<i>page A - 50</i>
Video Capture Module	<i>page A - 11</i>	<i>page A - 20</i>	<i>page A - 29</i>	<i>page A - 40</i>	

Table A - 1
Part List Illustration Location

L295PA - Base

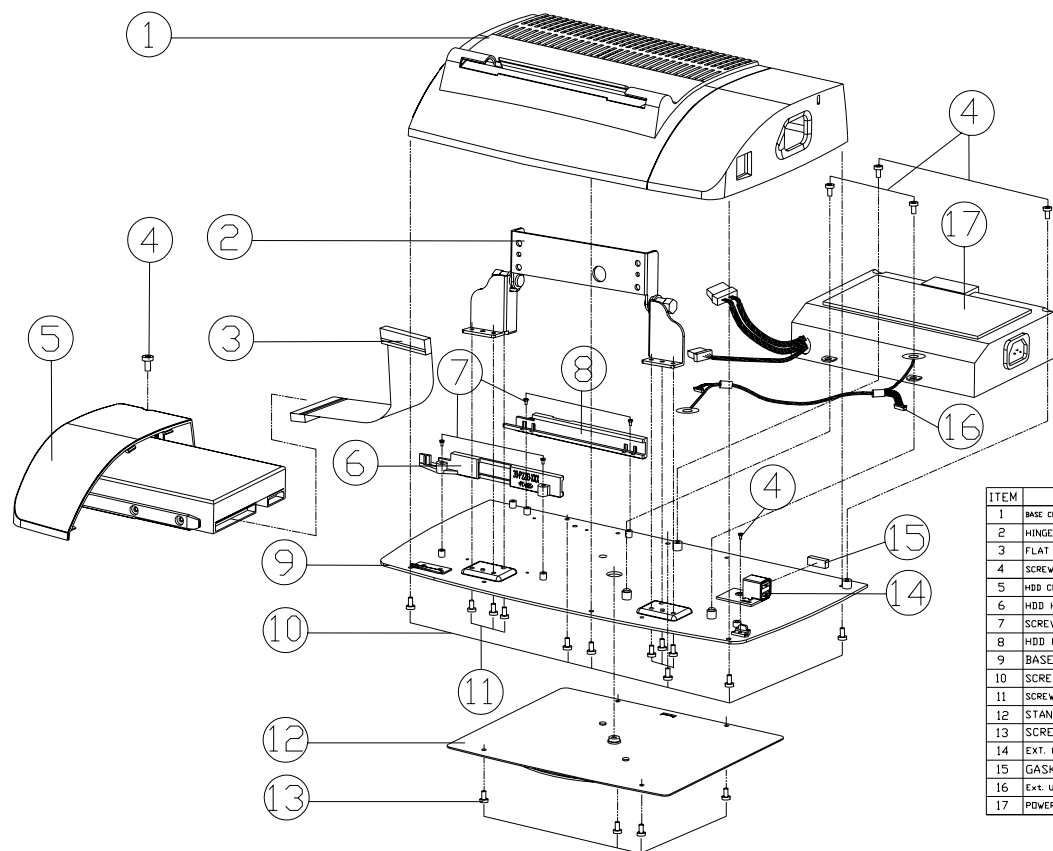


Figure A - 1
L295PA - Base

ITEM	PART NAME	PART NO	REMARK
1	BASE COVER MODULE L295PA (G672)	39-P5103-012	
2	HINGE MODULE SUS LP200	79-P220Y-014	
3	FLAT CABLE FOR HDD 40P L285P	43-P5001-012	
4	SCREW M3*6L #05P BIND HEAD NI-PL	35-41130-6R0	
5	HDD COVER (W/O HDD) ASS'Y L295P	79-P295I-010	
6	HDD HOLDER (B) PC/ABS LP200	39-P2213-001	
7	SCREW M3*6L K1 NI ICT NY	35-B1130-6RA	
8	HDD HOLDER (A) PC/ABS LP200	39-P2212-001	
9	BASE BRACKET SECC L285P	33-P5003-010	
10	SCREW M3*6L F NI ICT NY	35-21130-6RA	
11	SCREW M3*6L B CZ ICT W/WAS NY	35-43030-BRA	
12	STAND MODULE LP260/L285P	79-P220E-017	
13	SCREW M3*3L B NI ICT	35-41130-3RA	
14	EXT. USB BOARD L287S/P/L285S	77-P7A03-001	
15	GASKET (L15*W10*H6.5mm)	47-00190-154	FOR BASE ASS'Y
16	Ext. USB2.0 CABLE L285S	43-P5A0C-010	
17	POWER SUPPLY 160W EP4160 L285P	51-P5003-025	

A.Part Lists

L295PA - Bracket

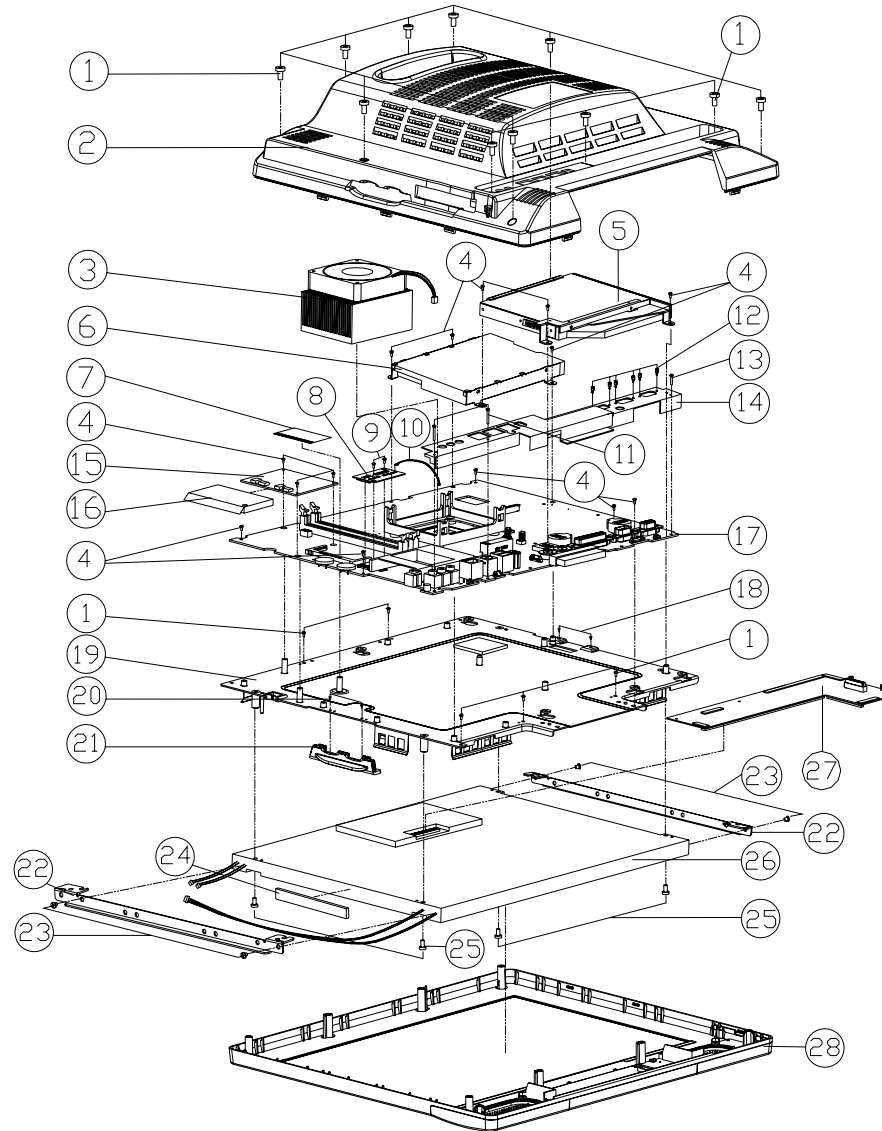


Figure A - 2
L295PA Bracket

ITEM	PART NAME	PART NO	REMARK
1	M3*6L*0.5P BIND HEAD NI-PL	35-41130-6R0	
2	LCD BACK COVER MODULE L295PB	39-P295I-020	HYU/CHI MEI
3	HEAT SINK MODULE W/FAN (70*70*15)	31-P707S-100	
4	SCREW M2.5*5L B NI ICT	35-41125-5R0	
5	DVD ASS'Y L295PB	79-P295V-010	TDS. 8X DVD
5	COMBD ASS'Y L295PB	79-P295X-010	SAMSUNG 24X
6	FDD ASS'Y L295PB	79-P295J-010	
7	WIRELESS LAN ASS'Y L297PB	79-P5020-010	
8	MDC MODEM ASS'Y L297PB	79-P297U-020	
9	SCREW M2*0.4P*3L B NI ICT	35-41120-3R0	
10	WIRE CABLE FOR MDC MODEM L287P	43-P700U-010	
11	SCREW M2.5*2.3L K1 NI ICT	35-B1125-230	
12	HEX STUD SUM22 NI-PL 10mm	34-96002-000	
13	SCREW M2.5*14L K1 NI ICT	35-B1125-14A	
14	I/O BRACKET+GASKET MODULE SECC L295P	33-P295S-100	
15	INVERTER BOARD FOR SHARP150 L285P	77-P500R-023	
15	INVERTER BOARD FOR CHI MEI 15" L285P	77-P500R-013	
16	INVERTER MYLAR PC L297P	40-P297S-010	
17	MAIN BOARD	77-P2950-DOX	
18	SCREW M2*4L K1 NI ICT	35-B1120-4RB	
19	LCD BRACKET FOR CHI MEI 15.0" L295P	33-P295I-020	
19	LCD BRACKET FOR AU M150XN05 L295P	33-P295I-010	
20	SCREW M2*5L K1 NI ICT	35-B1120-5RA	
21	VR COVER L285PA	42-P517B-011	CHI MEI.150
22	LCD BRACKET (R&L) FOR AU 295P	33-P295I-030	
23	SCREW M3*5MM F NI ICT	35-F1130-5R0	
24	SPONGE FOR CHI-ME(171*151*46) L285P	47-0019A-170	
24	SPONGE (110*115*46) FOR PANEL L287P	47-0019A-101	
25	M3*6L*0.5P BIND HEAD NI-PL	35-41130-6R0	
26	LCD 15.0" TFT CHI MEI M150X3 13.0mm	50-L22D0-D00	
26	LCD T AU M150XN05 15" XGA 12mm	50-L22C0-G00	
27	LCD CONVERTER BOARD FOR CHI MEI 15" L285P	77-PSA06-001	
27	LCD CONVERTER BOARD FOR AU150 L285P	77-PSA06-032	
28	LCD F-CVR ASSY FOR SHARP/CHI MEI L285PB	79-P5201-001	

L295PA - Front

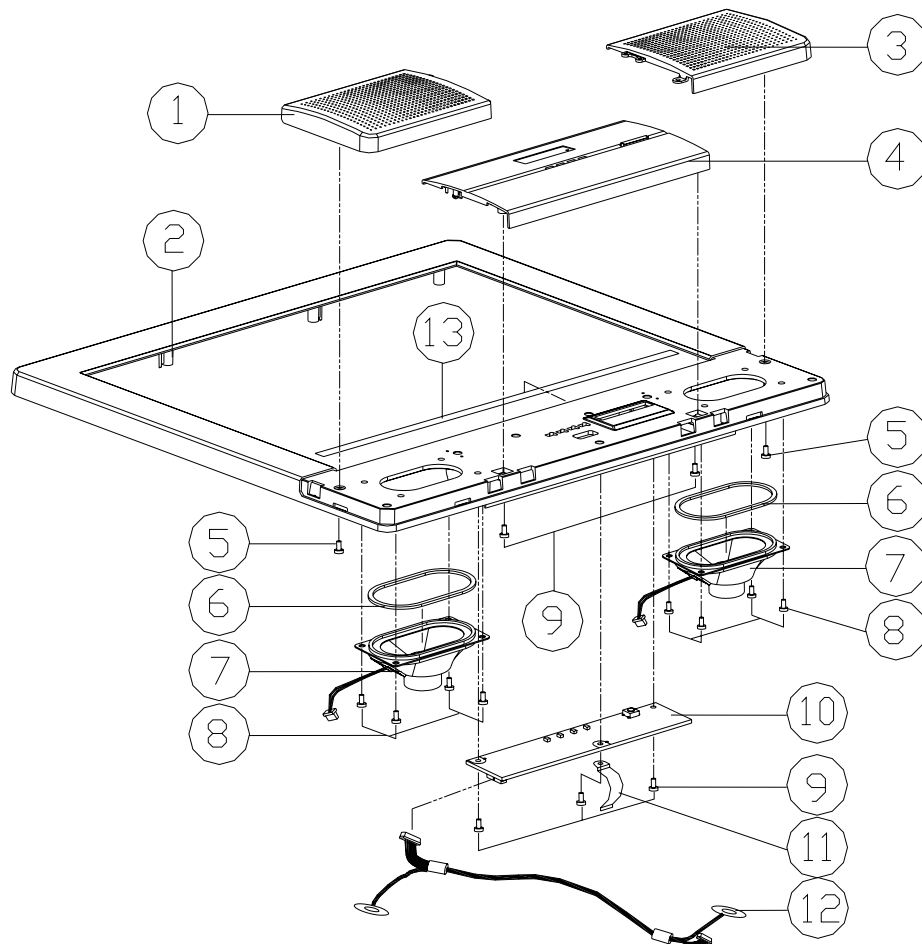


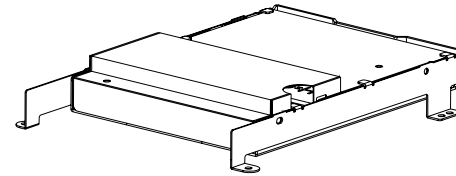
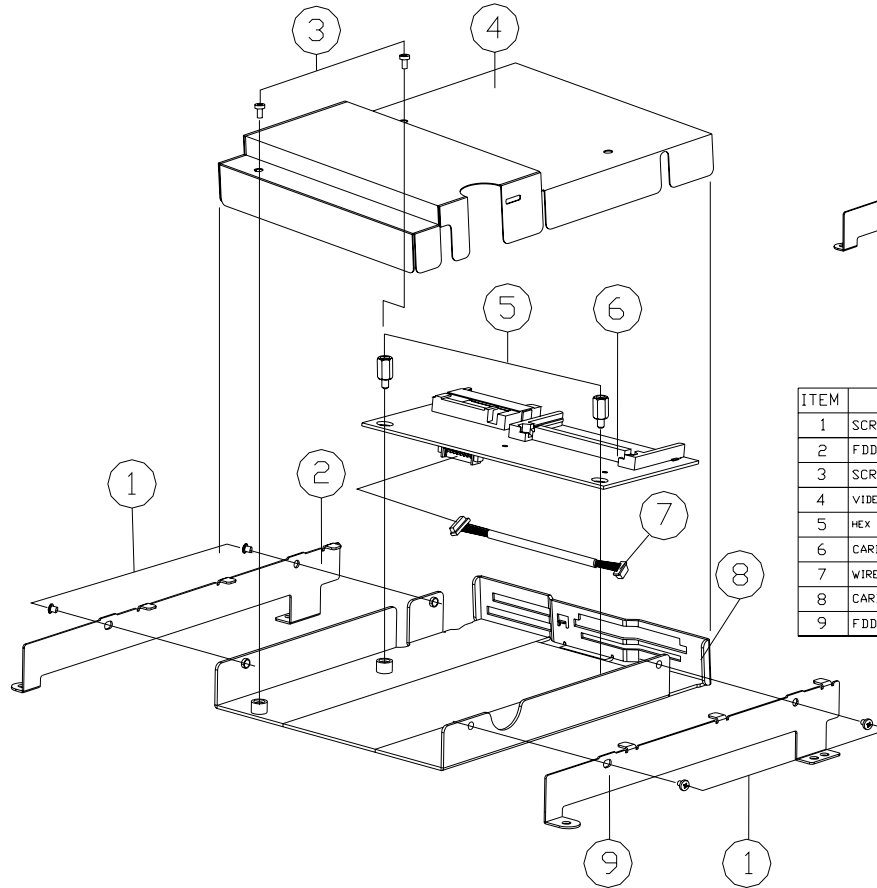
Figure A - 3
L295PA - Front

ITEM	PART NAME	PART NO	REMARK
1	SPEAKER COVER (L) LP200E	42-P2E71-120	
2	LCD F-CVR MODULE FOR CHI/HYU/SHARP L285PA	39-P5101-010	
3	SPEAKER COVER (R) LP200E	42-P2E71-110	
4	CONTRL PANEL MODULE L285PA	42-P5191-101	
5	SCREW M2.5*4L B BNI ICT	35-49125-4R0	
6	SPEAKER RUBBER, SILICONE LP200	47-P2202-000	
7	SPK+CDN. 71W*41D*28.7H 3W 8	23-5A230-13A	
8	SCREW M3*4L K1 NI ICT	35-B1130-4RB	
9	SCREW M2.5*5L B NI ICT	35-41125-5R0	
10	LED BOARD	77-P5004-001	
11	SPRING PLATE FOR LED BOARD(7404-Q2RH*21	38-P500S-010	
12	WIRE CABLE FOR LED SIGNAL 10P L285P	43-P500F-011	
13	SPONGE (300*8*0.5+) FOR F-CVR L285P	47-0019A-300	

A.Part Lists

L295PA - Card Reader Module

Figure A - 4
L295PA - Card Reader



ITEM	PART NAME	PART NO	REMARK
1	SCREW M2.5*3L P BZ ICT NY	35-06125-3R0	
2	FDD BRACKET (R) SECC L285P	33-P500J-012	
3	SCREW M2.5*5L F MI ICT	35-21125-5RA	
4	VIDEO CAPTURE BRACKET COVER FOR EMI	33-P297V-010	
5	HEX STUD SUM22 NI-PL F=M2.5 11.6M L297P	34-P297E-010	
6	CARD READER MODULE V1.0 FOR D470W	88-D47E0-430	
7	WIRE CABLE FOR CARD READER L297P	43-P297E-010	
8	CARD READER BRACKET SECC L297P	33-P297J-021	
9	FDD BRACKET (L) SECC L285P	33-P500J-022	

L295PA - Combo

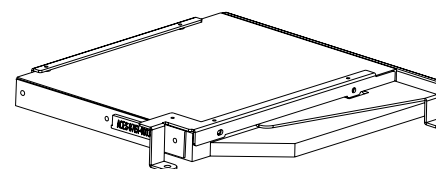
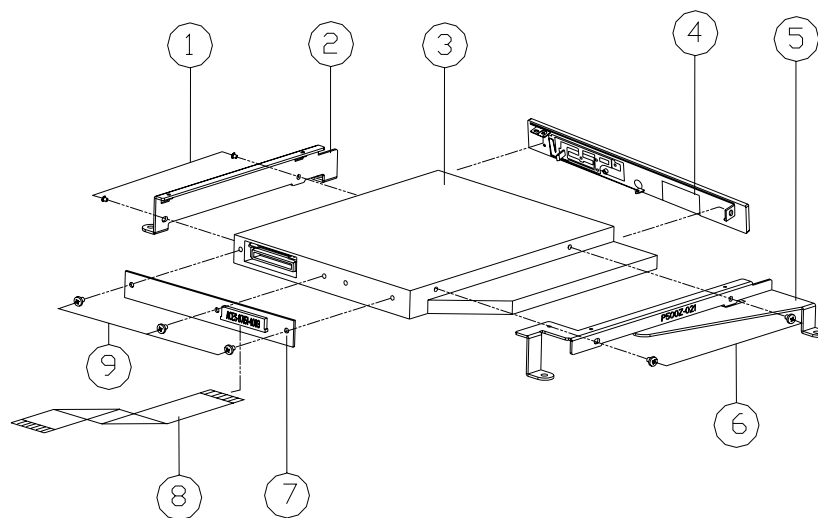


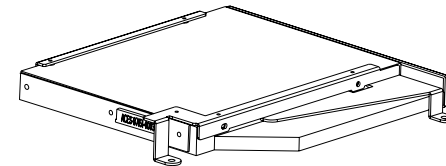
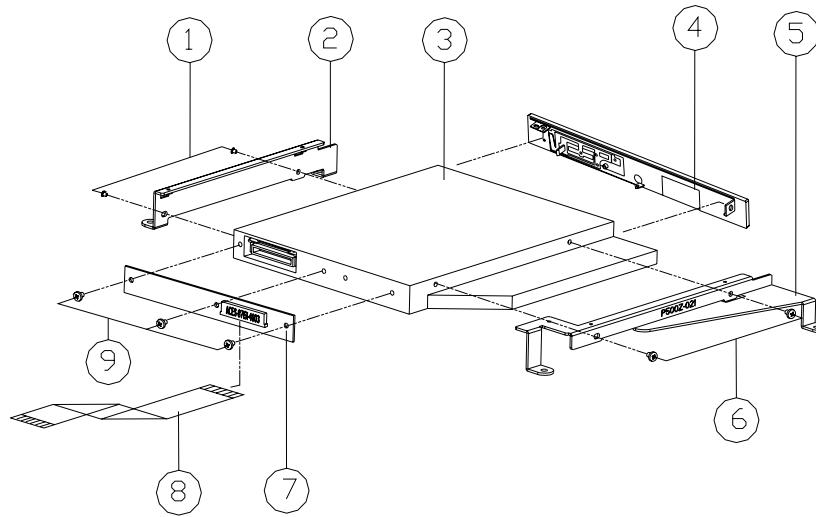
Figure A - 5
L295PA - Combo

ITEM	PART NAME	PART NO	REMARK
1	SCREW M2.0*3L F NI ICT NY	35-21120-3RA	
2	CD-ROM BRACKET (R) SECC L285P	33-P295Z-041	
3	CD-RW/DVD 5.1/4" 24x 12.7mm SN324 SAMSUNG	85-9070X-S00	
4	COMBO BEZEL MODULE FOR SAMSUNG	42-P517X-400	
5	CD-ROM BRACKET (L) SECC L285P	33-P500Z-030	
6	SCREW M2*3.5L F BNI ICT NY	35-21120-35B	
7	CD-ROM TRANSFER BOARD FOR DST L295P	77-P295N-001	
8	FFC CABLE FOR CD-ROM L295P	43-P295Z-010	
9	SCREW M2*0.4P*4L B NI ICT	35-41120-4R0	

Part Lists

L295PA - Toshiba DVD

Figure A - 6
L295PA - Toshiba
DVD



ITEM	PART NAME	PART NO	REMARK
1	SCREW M2.0*3L F NI ICT NY	35-21120-3RA	
2	CD-ROM BRACKET (R) SECC L285P H=12.4	33-P500Z-022	
3	DVD 5 1/4" 8X 12.7mm TOSHIBA	85-7078X-T04	SD-C2612-10 E
4	TOSHIBA DVD BEZEL MODULE	39-P227V-024	
5	CD-ROM BRACKET (L) SECC L285P	33-P500Z-030	
6	SCREW M2.0*3L F NI ICT NY	35-21120-35B	
7	CD-ROM TRANSFER BOARD FOR DST L295P	77-P295N-001	
8	FFC CABLE FOR CD-ROM L295P	43-P295Z-010	
9	SCREW M2*0.4P*4L B NI ICT	35-41120-4R0	

L295PA - FDD

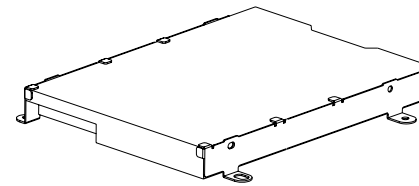
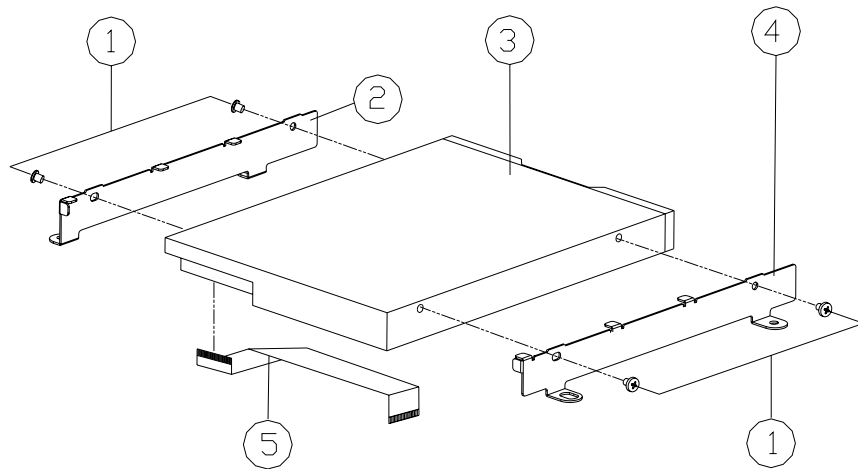
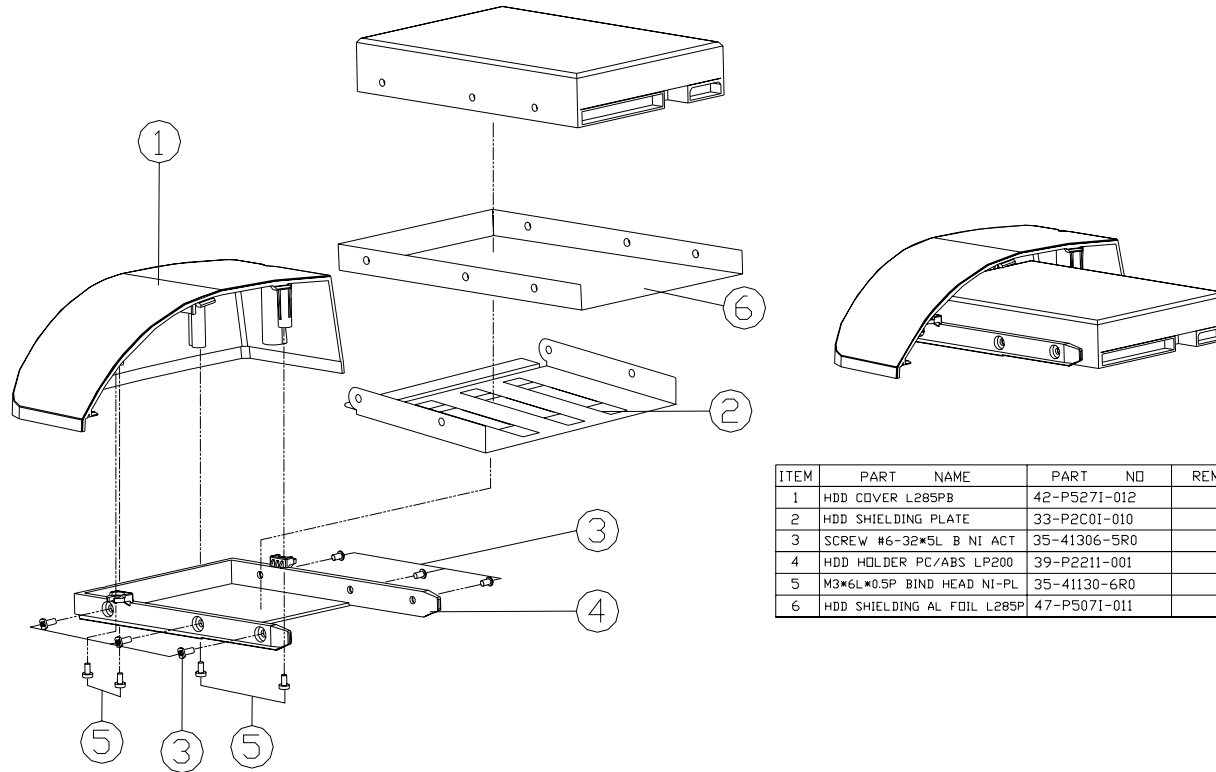


Figure A - 7
L295PA - FDD

ITEM	PART NAME	PART NO	REMARK
1	SCREW M2.5*3L P BZ ICT NY	35-06125-3R0	
2	FDD BRACKET (R) SECC L285P	33-P500J-012	
3	FDD 3.5" 1.44MB 12.7mm YD-702J-6637J-644761	85-11700-Y06-1	
4	FDD BRACKET (L) SECC L285P	33-P500J-022	
5	FFC CABLE FOR FDD L285P	43-P500J-013	

L295PA - HDD

Figure A - 8
L295PA - HDD



ITEM	PART NAME	PART NO	REMARK
1	HDD COVER L285PB	42-P5271-012	
2	HDD SHIELDING PLATE	33-P2C01-010	
3	SCREW #6-32*5L B NI ACT	35-41306-5R0	
4	HDD HOLDER PC/ABS LP200	39-P2211-001	
5	M3*6L*0.5P BIND HEAD NI-PL	35-41130-6R0	
6	HDD SHIELDING AL FOIL L285P	47-P5071-011	

L295PA - Video Capture Module

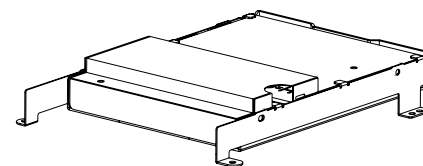
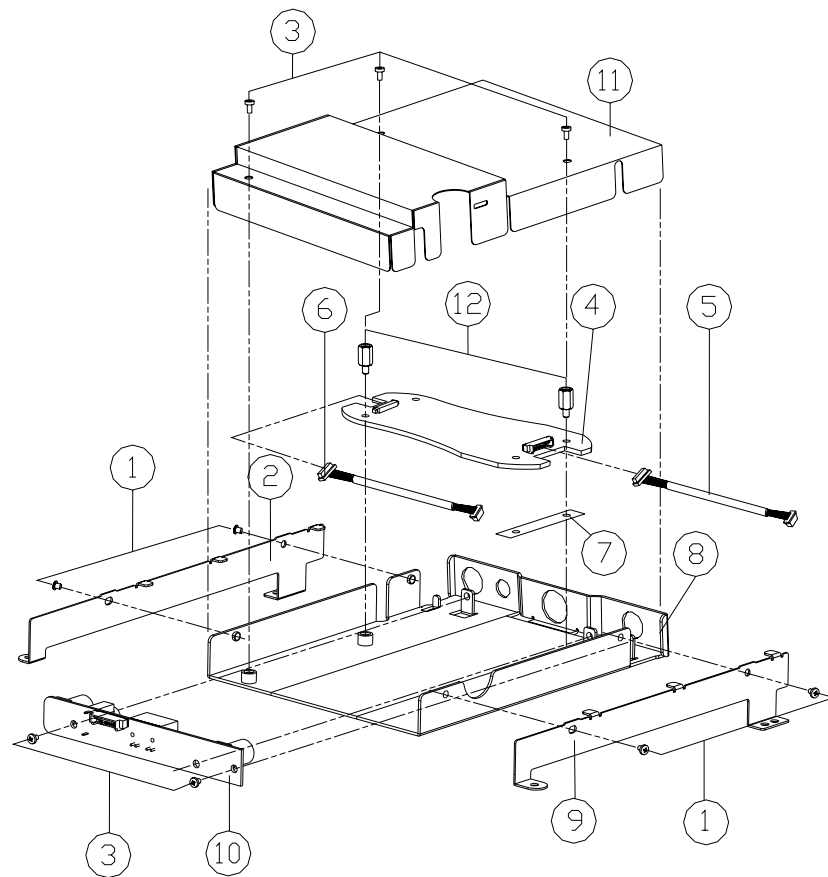


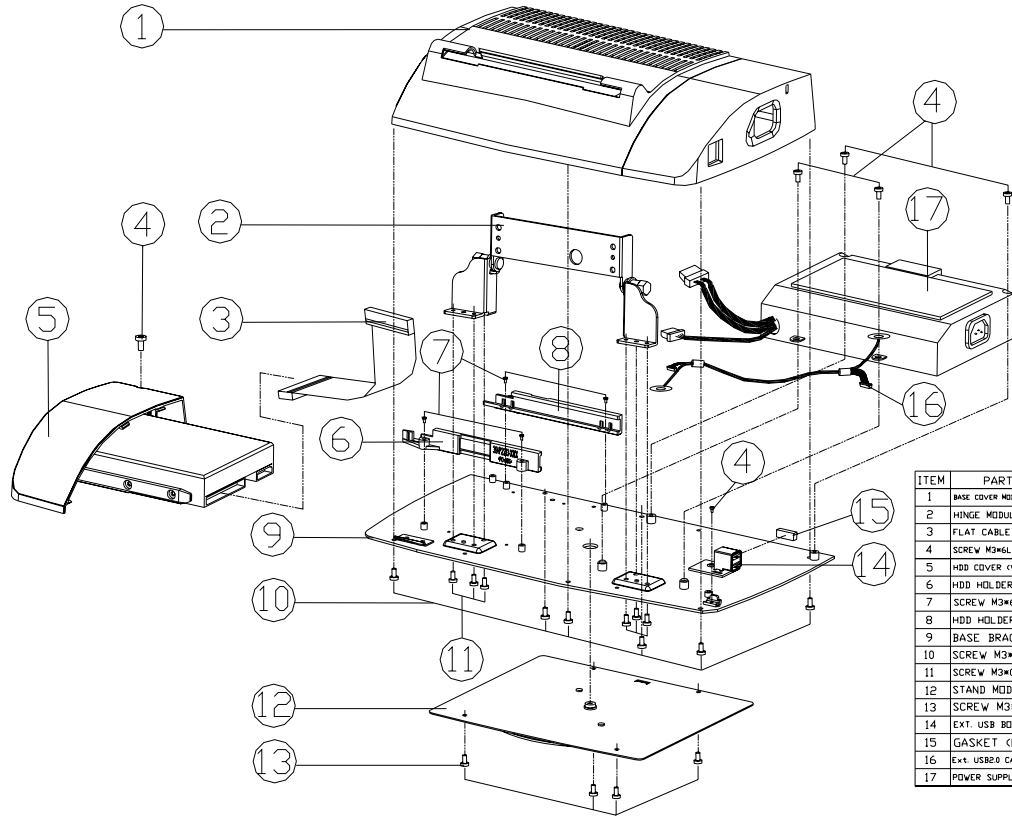
Figure A - 9
L295PA - Video
Capture Module

ITEM	PART NAME	PART NO	REMARK
1	SCREW M2.5*3L P BZ ICT NY	35-06125-3R0	
2	FDD BRACKET (R) SECC L285P	33-P500J-012	
3	SCREW M2.5*5L F MI ICT	35-21125-5RA	
4	AVerDVD EZMaker USB2.0 BOARD L297P	76-P2970-001	
5	WIRE CABLE FOR CAPTURE BOARD USB L297P	43-P297V-020	
6	WIRE CABLE FOR CAPTURE BOARD VIDEO L297P	43-P297V-010	
7	MYLAR FOR AVer DVD EZMAKER USB2.0 BOARD L297P	40-P297S-030	
8	VIDEO CAPTURE BRACKET SECC T=1 L297P	33-P297J-011	
9	FDD BRACKET (L) SECC L285P	33-P500J-022	
10	VIDEO CAPTURE BOARD L297P	77-P297H-003	
11	VIDEO CAPTURE BRACKET COVER FOR EMI	33-P297V-010	
12	HEX STUD 2.5 *5M-NI13MM FOR VIDEO CAPTURE L297P	34-P297V-010	

A.Part Lists

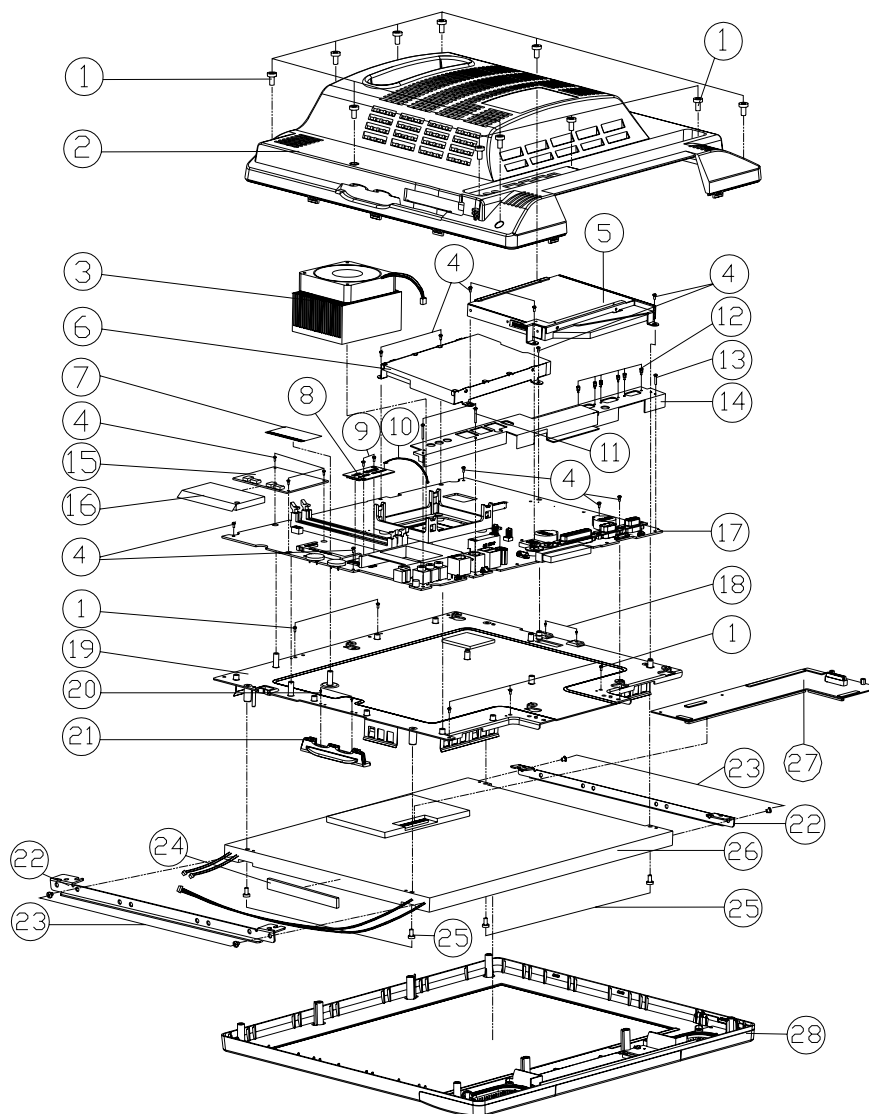
L295PB - Base

Figure A - 10
L295PB - Base



ITEM	PART NAME	PART NO	REMARK
1	BASE COVER MODULE L285P (R2164/11E1)	39-P5203-012	
2	HINGE MODULE SUS LP200	79-P220Y-014	
3	FLAT CABLE FOR HDD 40P L285P	43-P5001-012	
4	SCREW M3*6L*0.5P BIND HEAD NI-PL	35-41130-6R0	
5	HDD COVER (W/O HDD) ASS'Y L295PB	79-P2951-010	
6	HDD HOLDER (B) PC/ABS LP200	39-P2213-001	
7	SCREW M3*6L K1 NI ICT NY	35-B1130-6RA	
8	HDD HOLDER (A) PC/ABS LP200	39-P2212-001	
9	BASE BRACKET SECC L285P	33-P5003-010	
10	SCREW M3*6L F NI ICT NY	35-21130-6RA	
11	SCREW M3*0.5P*6L B NI ICT NY	35-04130-6R0	
12	STAND MODULE LP260/L285P	79-P220E-017	
13	SCREW M3*3L B NI ICT	35-41130-3RA	
14	EXT. USB BOARD L287S/P/L285S	77-P7A03-001	
15	GASKET (L15*W10*H6.5mm)	47-00190-154	FOR BASE ASS'Y
16	Ext. USB2.0 CABLE L285S	43-P5A0C-010	
17	POWER SUPPLY 160W EP4160 L285P	51-P5003-025	

L295PB - Bracket



ITEM	PART NAME	PART NO	REMARK
1	M3*6L*0.5P BIND HEAD NI-PL	35-41130-6R0	
2	LCD BACK COVER MODULE L295PB	39-P2951-020	HYU/CHI MEI
3	HEAT SINK MODULE W/FAN (70*70*15)	31-P707S-100	
4	SCREW M2.5*5L B NI ICT	35-41125-5R0	
5	DVD ASS'Y L295PB	79-P295V-010	TDS. BX DVD
5	CD/MD ASS'Y L295PB	79-P295X-010	SAMSUNG 24X
6	FDD ASS'Y L295PB	79-P295J-010	
7	WIRELESS LAN ASS'Y L297PB	79-P5020-010	
8	MDC MODEM ASS'Y L297PB	79-P297U-020	
9	SCREW M2*0.4P*3L B NI ICT	35-41120-3R0	
10	WIRE CABLE FDR MDC MODEM L287P	43-P700U-010	
11	SCREW M2.5*23L KI NI ICT	35-B1125-230	
12	HEX STUD SUM22 NI-PL 10mm	34-96002-000	
13	SCREW M2.5*14L KI NI ICT	35-B1125-14A	
14	I/O BRACKET+GASKET MODULE,SECC L295P	33-P295S-100	
15	INVERTER BOARD FOR SHARP150 L285P	77-P500R-023	
15	INVERTER BOARD FOR CHI MEI 15" L285P	77-P500R-013	
16	INVERTER MYLAR PC L297P	40-P297S-010	
17	MAIN BOARD	77-P2950-D0X	
18	SCREW M2*4L KI NI ICT	35-B1120-4RB	
19	LCD BRACKET FOR CHI MEI 150" L295P	33-P2951-020	
19	LCD BRACKET FOR AU M150XN05 L295P	33-P2951-010	
20	SCREW M2*5L KI NI ICT	35-B1120-5RA	
21	VR COVER L285PA	42-P517B-011	CHI MEI150
22	LCD BRACKET (R&L) FOR AU 295P	33-P2951-030	
23	SCREW M3*5MM F NI ICT	35-F1130-5R0	
24	SPONGE FOR CHI-MEIL171*W15*H63 L285P	47-0019A-170	
24	SPONGE (L100*W15*H63) FOR PANEL L287P	47-0019A-101	
25	M3*6L*0.5P BIND HEAD NI-PL	35-41130-6R0	
26	LCD 15.0" TFT CHI MEI M150X3 130mm	50-L22D0-D00	
26	LCD T AU M150XN05 15" XGA 12mm	50-L22C0-G00	
27	LCD CONVERTER BOARD FOR CHI MEI 15" L285S	77-P5A06-001	
27	LCD CONVERTER BOARD FOR AU150 L285S	77-P5A06-032	
28	LCD F-CVR ASS'Y FOR SHARP/CHI MEI L285P	79-P5201-001	

Figure A - 11
L295PB - Bracket

A.Part Lists

L295PB - Front

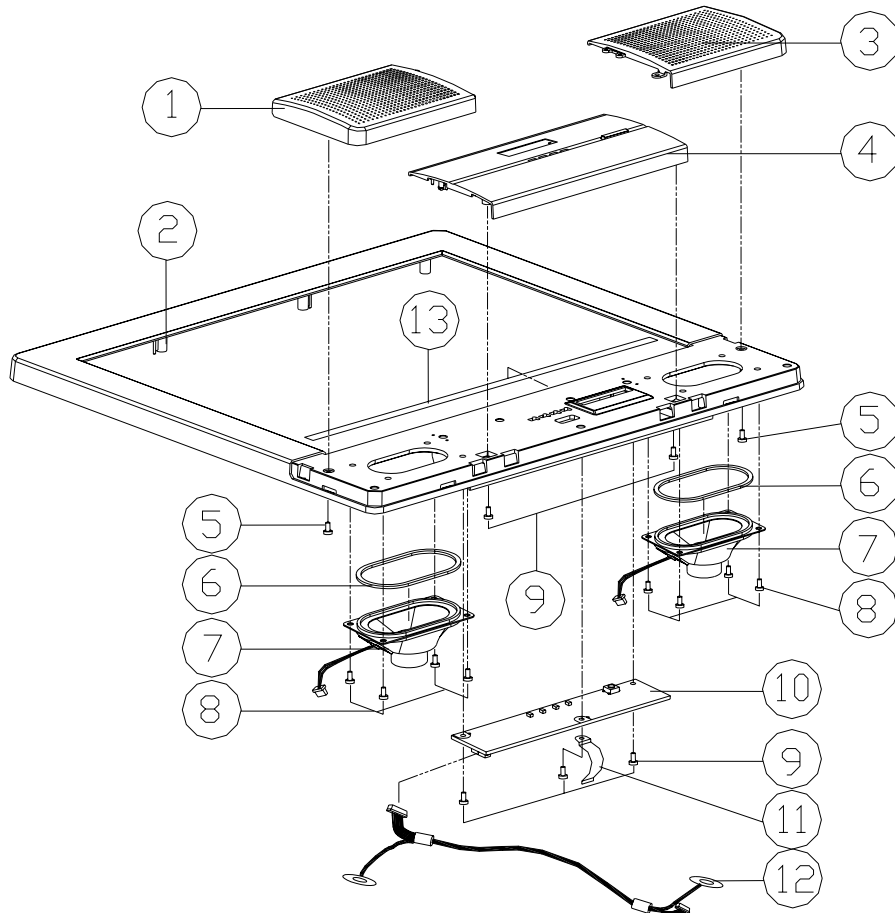
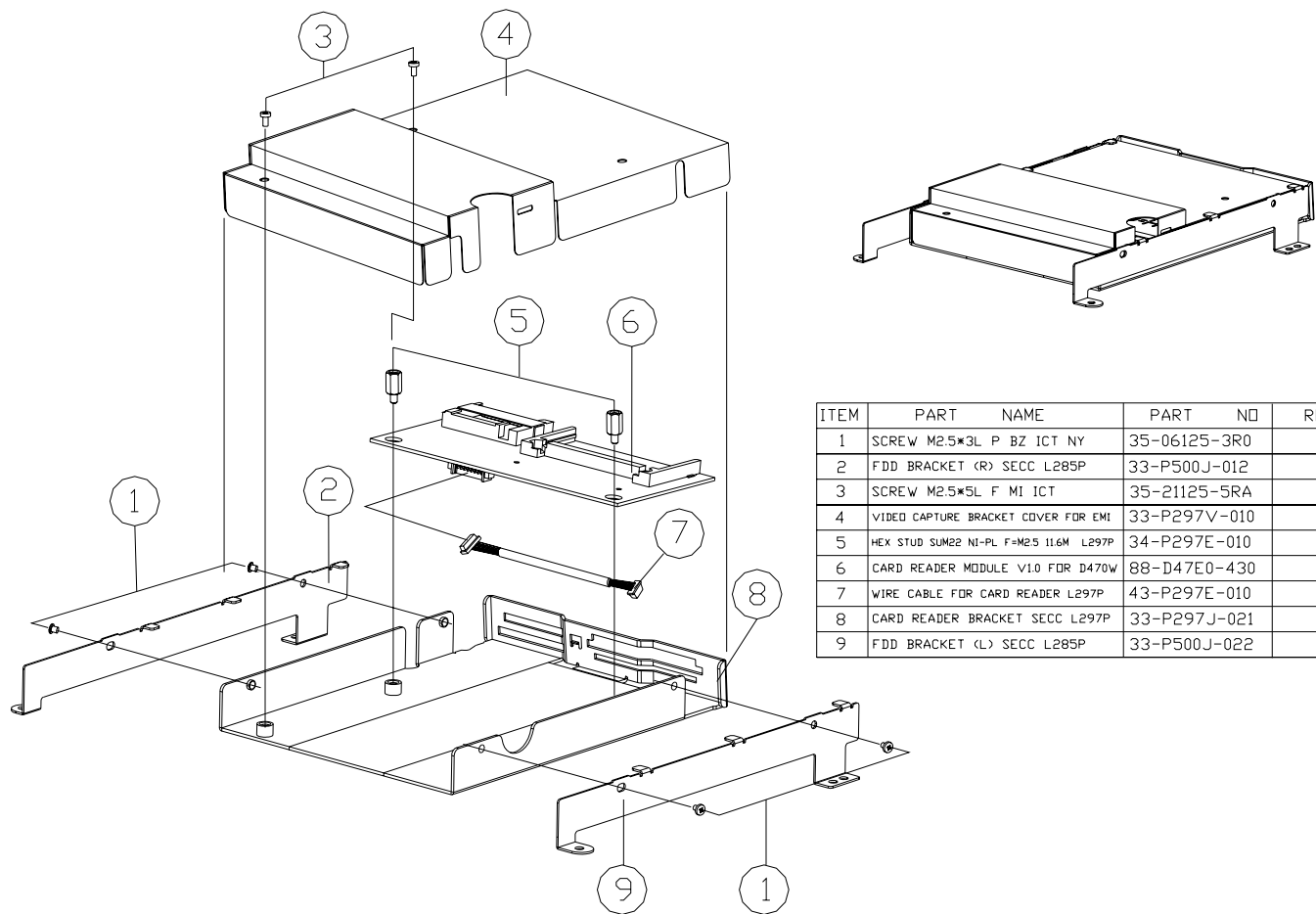


Figure A - 12
L295PB - Front

ITEM	PART NAME	PART NO	REMARK
1	SPEAKER COVER (L) MODULE L285PB	42-P527T-100	
2	LCD F-CVR MODULE FOR CHI/HTU/SHARP L285PB	39-P5201-010	
3	SPEAKER COVER (R) MODULE L285PB	42-P527T-200	
4	CONTROL PANEL MODULE L285PB	42-P5291-101	
5	SCREW M2.5*4L B BNI ICT	35-49125-4R0	
6	SPEAKER RUBBER, SILICONE LP200	47-P2202-000	
7	SPK+CON. 71W*41D*28.7H 3W	23-5A230-13A	
8	SCREW M3*4L KI NI ICT	35-B1130-4RB	
9	SCREW M2.5*5L B NI ICT	35-41125-5R0	
10	LED BOARD	77-P5004-001	
11	SPRING PLATE FOR LED BOARD(7404-02R)*21	38-P500S-010	
12	WIRE CABLE FOR LED SIGNAL 10P L285P	43-P500F-011	
13	SPONGE (300*8*0.5) FOR F-CVR L285P	47-0019A-300	

L295PB - Card Reader Module



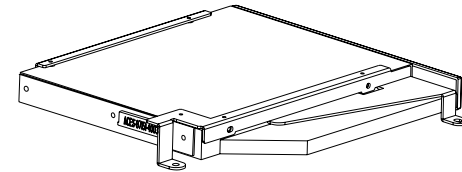
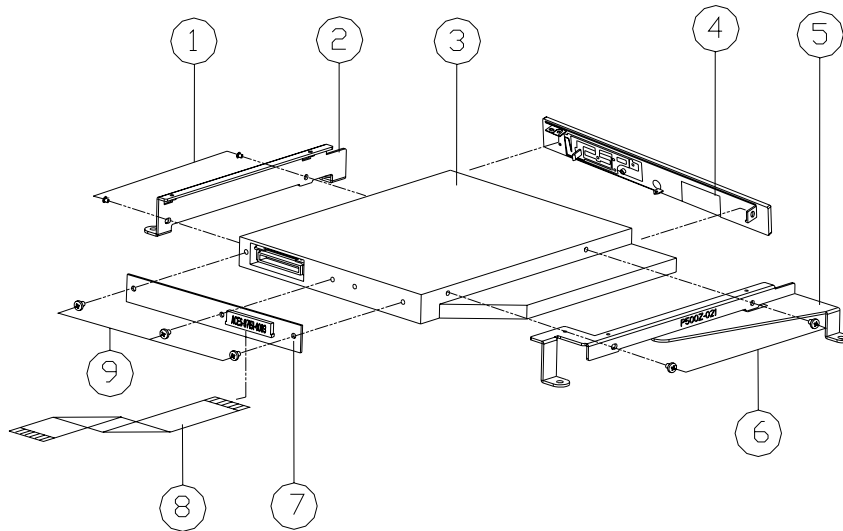
ITEM	PART NAME	PART NO	REMARK
1	SCREW M2.5*3L P BZ ICT NY	35-06125-3R0	
2	FDD BRACKET (R) SECC L285P	33-P500J-012	
3	SCREW M2.5*5L F MI ICT	35-21125-5RA	
4	VIDEO CAPTURE BRACKET COVER FOR EMI	33-P297V-010	
5	HEX STUD SUM22 NI-PL F=M2.5 11.6M L297P	34-P297E-010	
6	CARD READER MODULE V1.0 FOR D470W	88-D47E0-430	
7	WIRE CABLE FOR CARD READER L297P	43-P297E-010	
8	CARD READER BRACKET SECC L297P	33-P297J-021	
9	FDD BRACKET (L) SECC L285P	33-P500J-022	

Figure A - 13
L295PB - Card Reader Module

A.Part Lists

L295PB - Combo

Figure A - 14
L295PB - Combo



ITEM	PART NAME	PART NO	REMARK
1	SCREW M2.0*3L F NI ICT NY	35-21120-3RA	
2	CD-ROM BRACKET (R) SECC L285P	33-P295Z-041	
3	CD-RW/DVD 5 1/4" 24X 12.7mm SN3B4 SAMSUNG	85-9070X-S00	
4	COMBO BEZEL MODULE FOR SAMSUNG	42-P517X-400	
5	CD-ROM BRACKET (L) SECC L285P	33-P500Z-030	
6	SCREW M2*3.5L F BNI ICT NY	35-21120-35B	
7	CD-ROM TRANSFER BOARD FOR DST L295P	77-P295N-001	
8	FFC CABLE FOR CD-ROM L295P	43-P295Z-010	
9	SCREW M2*0.4P*4L B NI ICT	35-41120-4R0	

L295PB - Toshiba DVD

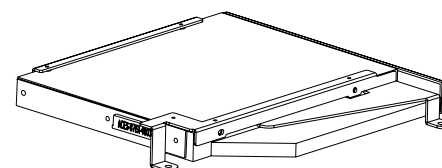
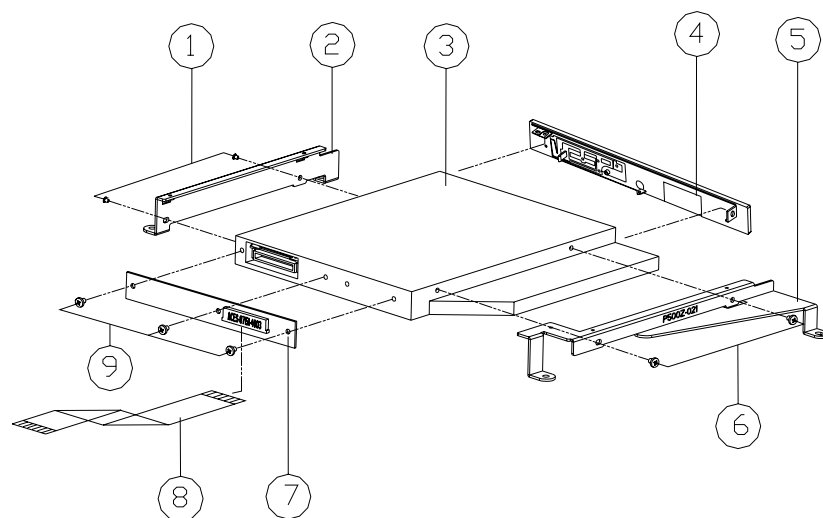


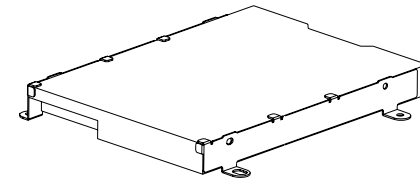
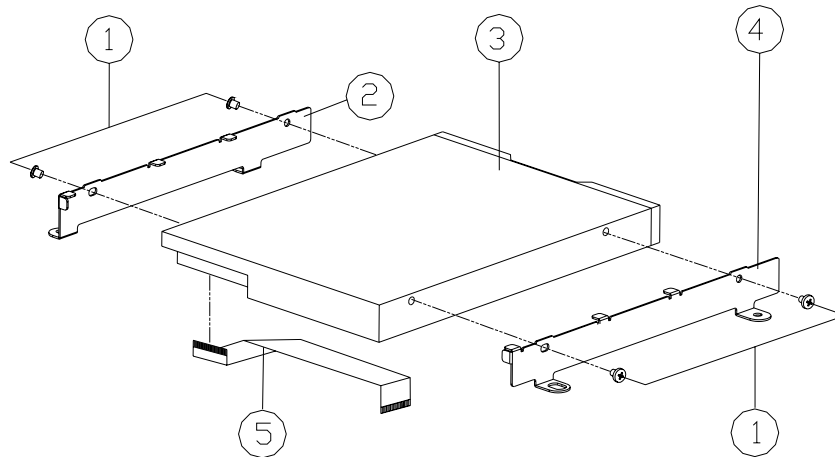
Figure A - 15
L295PB - Toshiba
DVD

ITEM	PART NAME	PART NO	REMARK
1	SCREW M2.0*3L F NI ICT NY	35-21120-3RA	
2	CD-ROM BRACKET (R) SECC L285P H=12.6	33-P500Z-022	
3	DVD 5 1/4" 8X 12.7mm TOSHIBA	85-7078X-T04	SD-C2612-10 E
4	TOSHIBA DVD BEZEL MODULE	39-P227V-024	
5	CD-ROM BRACKET (L) SECC L285P	33-P500Z-030	
6	SCREW M2.0*3L F NI ICT NY	35-21120-35B	
7	CD-ROM TRANSFER BOARD FOR DST L295P	77-P295N-001	
8	FFC CABLE FOR CD-ROM L295P	43-P295Z-010	
9	SCREW M2*0.4P*4L B NI ICT	35-41120-4R0	

A.Part Lists

L295PB - FDD

Figure A - 16
L295PB - FDD



ITEM	PART NAME	PART NO	REMARK
1	SCREW M2.5*3L P BZ ICT NY	35-06125-3R0	
2	FDD BRACKET (R) SECC L285P	33-P500J-012	
3	FDD 3.5" 1.44MB 12.7mm YD-702J-6637J-644761	85-11700-Y06-1	
4	FDD BRACKET (L) SECC L285P	33-P500J-022	
5	FFC CABLE FOR FDD L285P	43-P500J-013	

L295PB - HDD

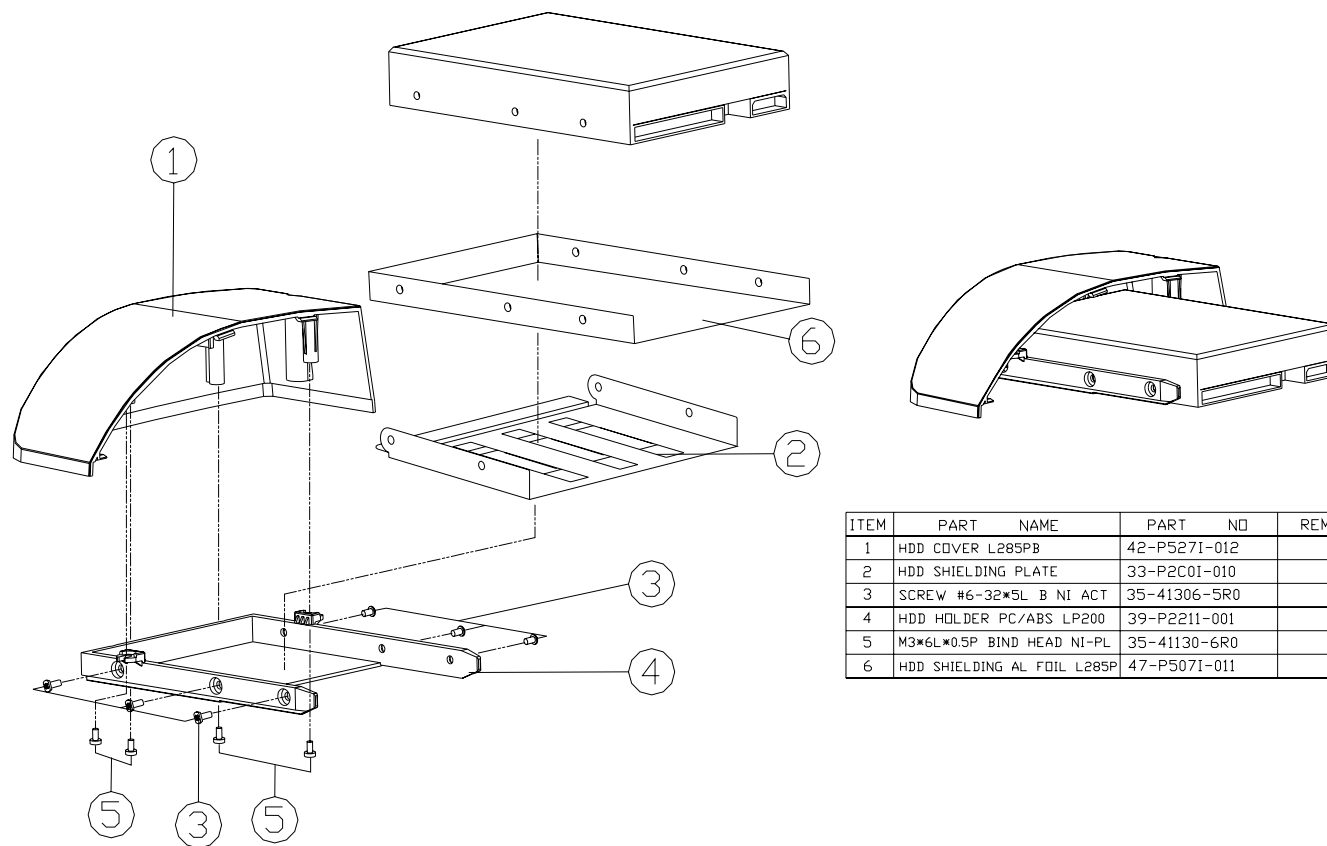


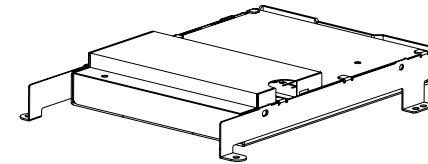
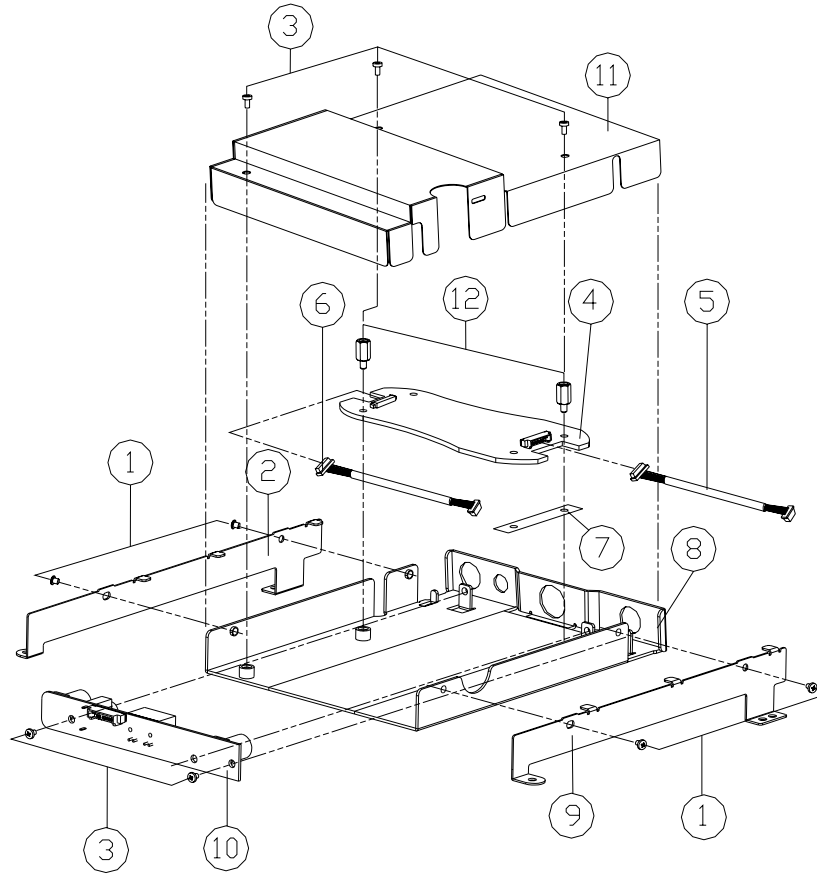
Figure A - 17
L295PB - HDD

ITEM	PART NAME	PART NO	REMARK
1	HDD COVER L285PB	42-P5271-012	
2	HDD SHIELDING PLATE	33-P2C01-010	
3	SCREW #6-32*5L B NI ACT	35-41306-5R0	
4	HDD HOLDER PC/ABS LP200	39-P2211-001	
5	M3*6L*0.5P BIND HEAD NI-PL	35-41130-6R0	
6	HDD SHIELDING AL FOIL L285P	47-P5071-011	

A.Part Lists

L295PB - Video Capture Module

Figure A - 18
L295PB - Video
Capture Module



ITEM	PART NAME	PART NO	REMARK
1	SCREW M2.5*3L P BZ ICT NY	35-06125-3R0	
2	FDD BRACKET (R) SECC L285P	33-P500J-012	
3	SCREW M2.5*5L F MI ICT	35-21125-5RA	
4	AVer-DVD EZMaker USB2.0 BOARD L297P	76-P2970-001	
5	WIRE CABLE FOR CAPTURE BOARD USB L297P	43-P297V-020	
6	WIRE CABLE FOR CAPTURE BOARD VIDEO L297P	43-P297V-010	
7	MYLAR FOR AVer DVD EZMAKER USB2.0 BOARD L297P	40-P297S-030	
8	VIDEO CAPTURE BRACKET SECC T=1 L297P	33-P297J-011	
9	FDD BRACKET (L) SECC L285P	33-P500J-022	
10	VIDEO CAPTURE BOARD L297P	77-P297H-003	
11	VIDEO CAPTURE BRACKET COVER FOR EMI	33-P297V-010	
12	HEX STUD 2.5 *5M-N(13M) FOR VIDEO CAPTURE L297P	34-P297V-010	

L295PT - Base

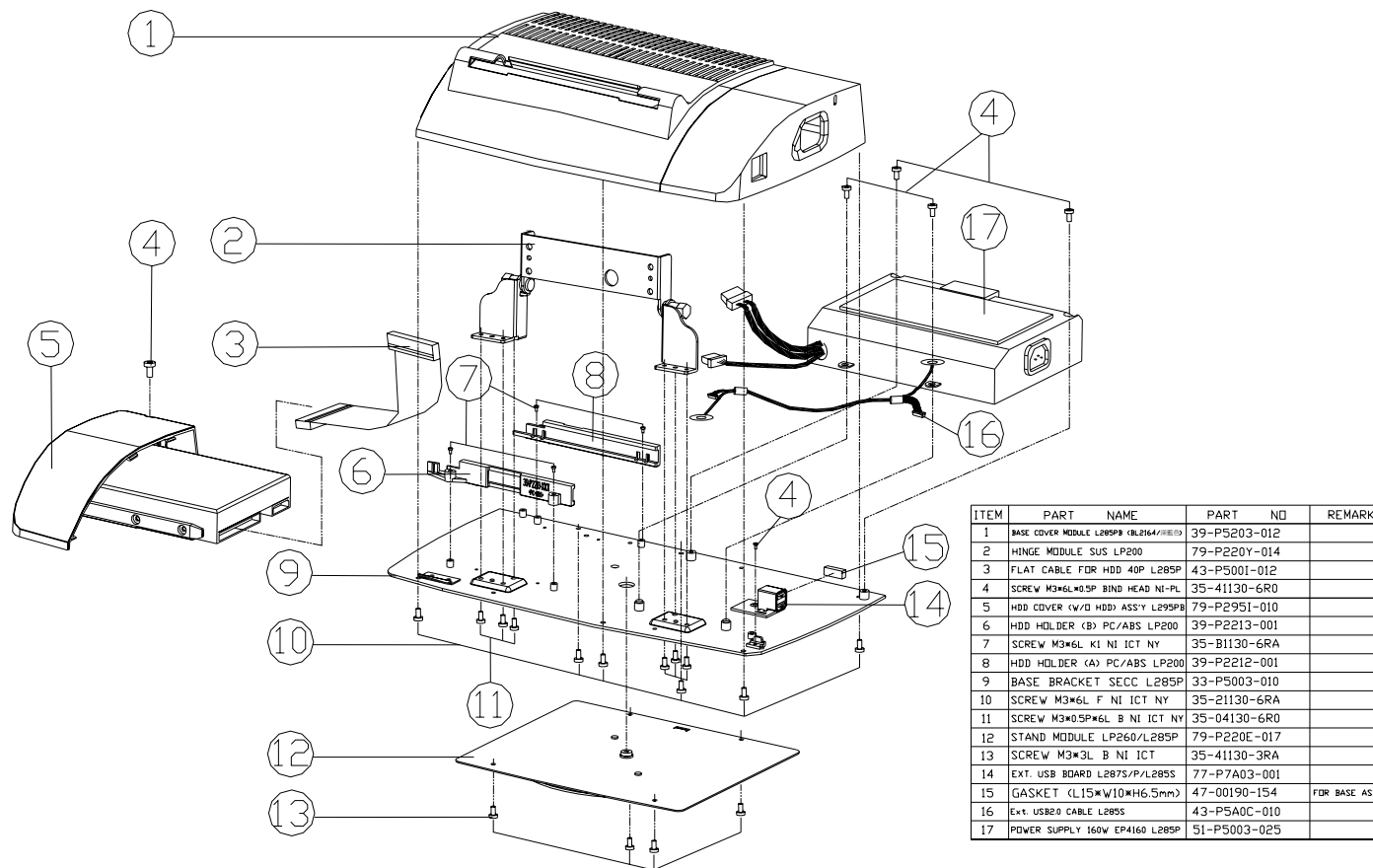


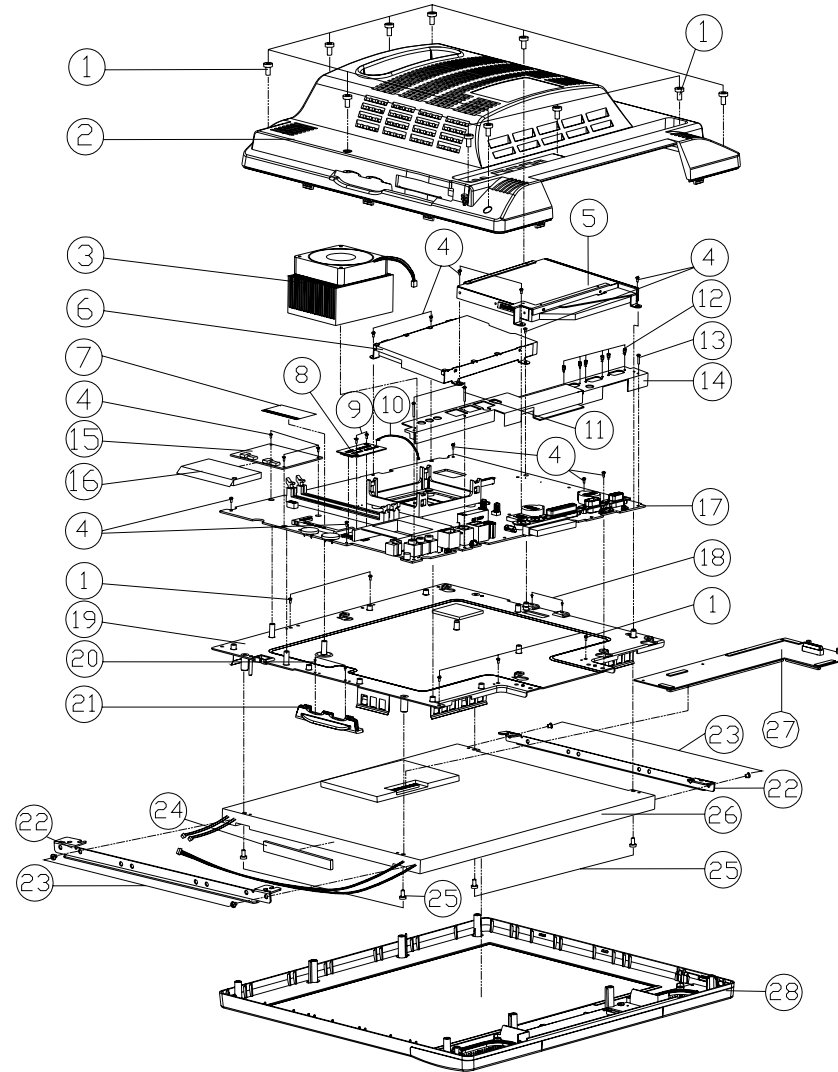
Figure A - 19
L295PT - Base

ITEM	PART NAME	PART NO	REMARK
1	BASE COVER MIDDLE L295PB (BL2164/REED)	39-P5203-012	
2	HINGE MODULE SUS LP200	79-P220Y-014	
3	FLAT CABLE FOR HDD 40P L285P	43-P500I-012	
4	SCREW M3*6L*0.5P BIND HEAD NI-PL	35-41130-6R0	
5	HDD COVER (W/O HDD) ASS'Y L295PB	79-P295I-010	
6	HDD HOLDER (B) PC/ABS LP200	39-P2213-001	
7	SCREW M3*6L KI NI ICT NY	35-B1130-6RA	
8	HDD HOLDER (A) PC/ABS LP200	39-P2212-001	
9	BASE BRACKET SECC L285P	33-P5003-010	
10	SCREW M3*6L F NI ICT NY	35-21130-6RA	
11	SCREW M3*0.5P*6L B NI ICT NY	35-04130-6R0	
12	STAND MODULE LP260/L285P	79-P220E-017	
13	SCREW M3*3L B NI ICT	35-41130-3RA	
14	EXT. USB BOARD L287S/P/L285S	77-P7A03-001	
15	GASKET (L15*W10*H6.5mm)	47-00190-154	FOR BASE ASS'Y
16	Ext. USB2.0 CABLE L285S	43-P5A0C-010	
17	POWER SUPPLY 160W EP4160 L285P	51-P5003-025	

A.Part Lists

L295PT - Bracket

Figure A - 20
L295PT - Bracket



ITEM	PART NAME	PART NO	REMARK
1	M3*6L*0.5P BIND HEAD NI-PL	35-41130-6R0	
2	LCD BACK COVER MODULE L295PB	39-P2951-020	HYU/CHI MEI
3	HEAT SINK MODULE W/FAN (70*70*15)	31-P707S-100	
4	SCREW M2.5*5L B NI ICT	35-41125-5R0	
5	DVD ASS'Y L295PB	79-P295V-010	TDS 8X DVD
5	COMBO ASS'Y L295PB	79-P295X-010	SAMSUNG 24X
6	FDD ASS'Y L295PB	79-P295J-010	
7	WIRELESS LAN ASS'Y L297PB	79-P5020-010	
8	MDC MODEM ASS'Y L297PB	79-P297U-020	
9	SCREW M2*0.4P*3L B NI ICT	35-41120-3R0	
10	WIRE CABLE FOR MDC MODEM L287P	43-P700U-010	
11	SCREW M2.5*2.3L K1 NI ICT	35-B1125-230	
12	HEX STUD SUM22 NI-PL 10mm	34-96002-000	
13	SCREW M2.5*4L K1 NI ICT	35-B1125-14A	
14	I/O BRACKET+GASKET MODULE SECC L295P	33-P295S-100	
15	INVERTER BOARD FOR SHARP 150 L285P	77-P500R-023	
15	INVERTER BOARD FOR CHI MEI 15" L285P	77-P500R-013	
16	INVERTER MYLAR PC L297P	40-P297S-010	
17	MAIN BOARD	77-P2950-30X	
18	SCREW M2*4L K1 NI ICT	35-B1120-4RB	
19	LCD BRACKET FOR CHI MEI 150" L295P	33-P2951-020	
19	LCD BRACKET FOR AU M150XN05 L295P	33-P2951-010	
20	SCREW M2*5L K1 NI ICT	35-B1120-5RA	
21	VR COVER L285PA	42-P517B-011	CHI MEI 150
22	LCD BRACKET (RBL) FOR AU 295P	33-P2951-030	
23	SCREW M3*5MM F NI ICT	35-F1130-5R0	
24	SPONGE FOR CHI-MEIL171*V15*H63 L285P	47-0019A-170	
24	SPONGE (1100*W15*H63) FOR PANEL L287P	47-0019A-101	
25	M3*6L*0.5P BIND HEAD NI-PL	35-41130-6R0	
26	LCD 150" TFT CHI MEI M150X3 130mm	50-L22D0-000	
26	LCD T AU M150XN05 15" XGA 12mm	50-L22C0-000	
27	LCD INVERTER BOARD FOR CHI MEI 15" L285S	77-P5A06-001	
27	LCD INVERTER BOARD FOR AU150 L285S	77-P5A06-032	
28	LCD F-CVR ASS'Y FOR SHARP/CHI MEI L285P	79-P5201-001	

L295PT - Front

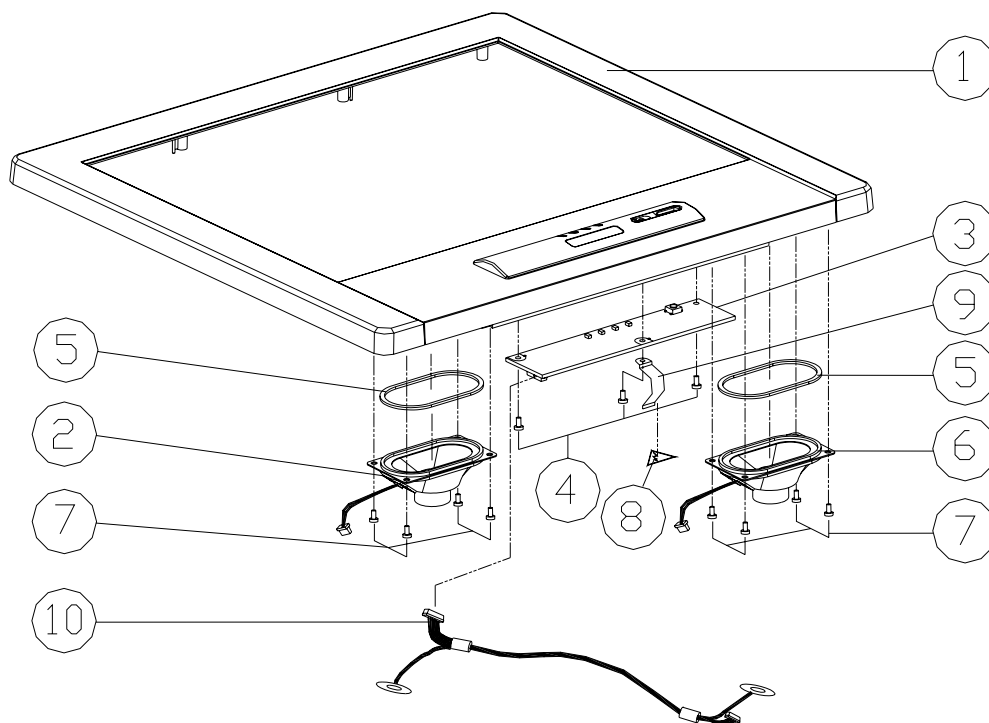
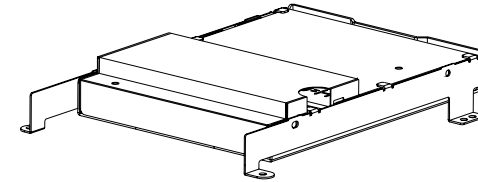
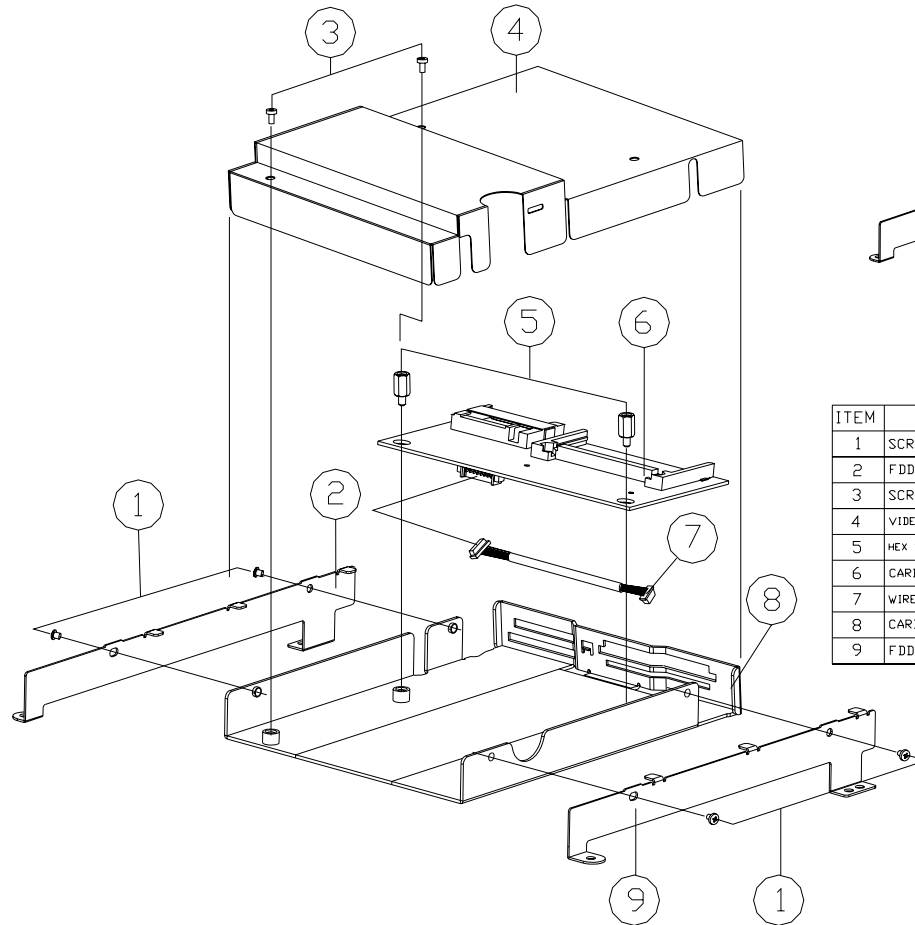


Figure A - 21
L295PT - Front

ITEM	PART NAME	PART NO	REMARK
1	LCD F-CVR MODULE LP2600T(ADD MYLAR)	79-P220D-0A4	
2	SPK. WITH CABLE(L) 71W*41D*28.7H 3W	23-5A230-600	
3	LED BOARD	77-P5004-011	
4	SCREW M2.5*5L B NI ICT	35-41125-5R0	
5	SPEAKER RUBBER, SILICONE LP200	47-P2202-000	
6	SPK. WITH CABLE(R) 71W*41D*28.7H 3W	23-5A230-131	
7	SCREW M3*4L KI NI ICT	35-B1130-4RB	
8	ELECTRIC SHOCK CAUTION 82H	45-82004-000	
9	SPRING PLATE FOR LED BOARD:7404-02R*4*21	38-P500S-010	
10	WIRE CABLE FOR LED SIGNAL TOP L295P	43-P500F-011	

L295PT - Card Reader Module

Figure A - 22
L295PT - Card
Reader Module



ITEM	PART NAME	PART NO	REMARK
1	SCREW M2.5*3L P. BZ ICT NY	35-06125-3R0	
2	FDD BRACKET (R) SECC L285P	33-P500J-012	
3	SCREW M2.5*5L F MI ICT	35-21125-5RA	
4	VIDEO CAPTURE BRACKET COVER FOR EMI	33-P297V-010	
5	HEX STUD SUM22 NI-PL F=M2.5 11.6M L297P	34-P297E-010	
6	CARD READER MODULE V1.0 FOR D470W	88-D47E0-430	
7	WIRE CABLE FOR CARD READER L297P	43-P297E-010	
8	CARD READER BRACKET SECC L297P	33-P297J-021	
9	FDD BRACKET (L) SECC L285P	33-P500J-022	

L295PT - Combo

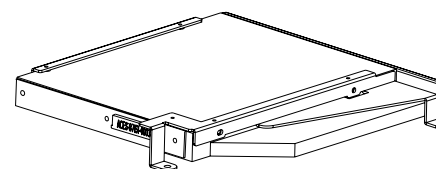
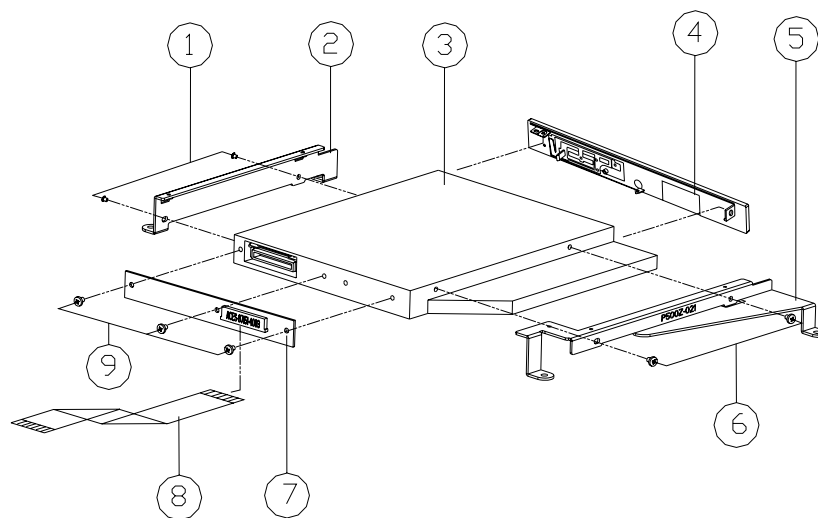


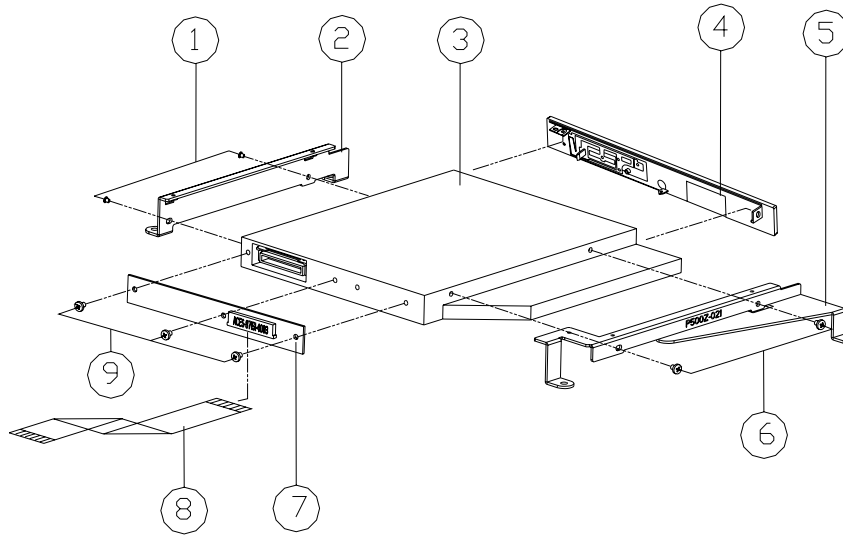
Figure A - 23
L295PT - Combo

ITEM	PART NAME	PART NO	REMARK
1	SCREW M2.0*3L F NI ICT NY	35-21120-3RA	
2	CD-RDM BRACKET (R) SECC L285P	33-P295Z-041	
3	CD-RW/DVD 5 1/4" 24x 12.7mm SN324 SAMSUNG	85-9070X-S00	
4	CD-MBO BEZEL MODULE FOR SAMSUNG	42-P517X-400	
5	CD-RDM BRACKET (L) SECC L285P	33-P500Z-030	
6	SCREW M2*3.5L F BNI ICT NY	35-21120-35B	
7	CD-RDM TRANSFER BOARD FOR DST L295P	77-P295N-001	
8	FFC CABLE FOR CD-RDM L295P	43-P295Z-010	
9	SCREW M2*0.4P*4L B NI ICT	35-41120-4R0	

Part Lists

L295PT - Toshiba DVD

Figure A - 24
L295PT - Toshiba
DVD



ITEM	PART NAME	PART NO	REMARK
1	SCREW M2.0*3L F NI ICT NY	35-21120-3RA	
2	CD-RDM BRACKET (R) SECC L285P H=12.6	33-P500Z-022	
3	DVD 5 1/4" 8X 12.7mm TOSHIBA	85-7078X-T04	SD-C2612-10 E
4	TOSHIBA DVD BEZEL MODULE	39-P227V-024	
5	CD-RDM BRACKET (L) SECC L285P	33-P500Z-030	
6	SCREW M2.0*3L F NI ICT NY	35-21120-35B	
7	CD-RDM TRANSFER BOARD FOR DST L295P	77-P295N-001	
8	FFC CABLE FOR CD-RDM L295P	43-P295Z-010	
9	SCREW M2*0.4P*4L B NI ICT	35-41120-4R0	

L295PT - FDD

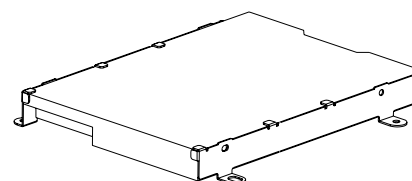
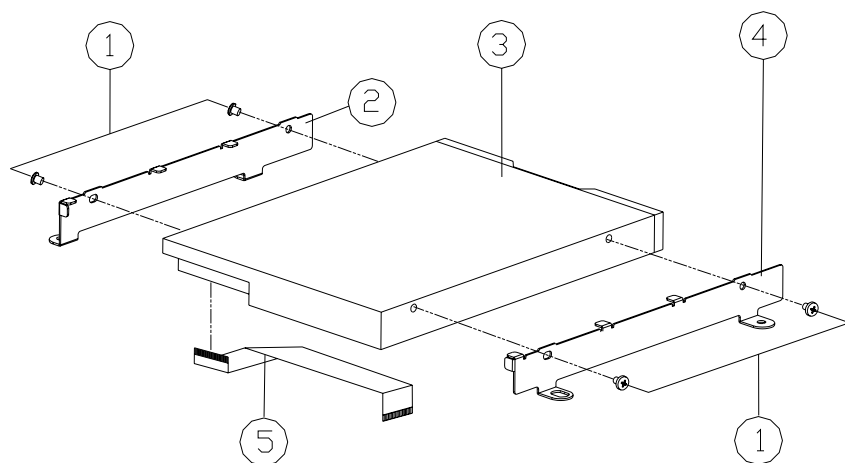
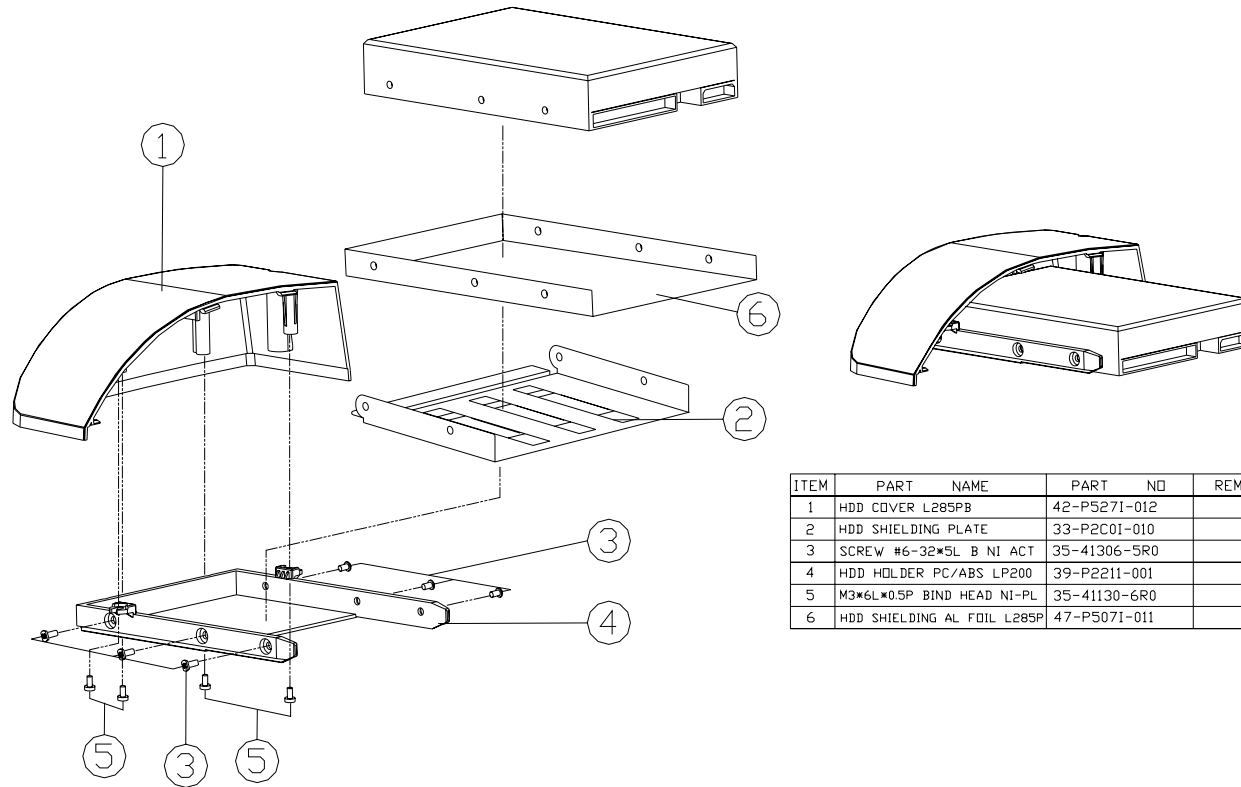


Figure A - 25
L295PT - FDD

ITEM	PART NAME	PART NO	REMARK
1	SCREW M2.5*3L P BZ ICT NY	35-06125-3R0	
2	FDD BRACKET (R) SECC L285P	33-P500J-012	
3	FDD 3.5" 1.44MB 12.7mm YD-702J-6637J-644761	B5-11700-Y06-1	
4	FDD BRACKET (L) SECC L285P	33-P500J-022	
5	FFC CABLE FOR FDD L285P	43-P500J-013	

L295PT - HDD

Figure A - 26
L295PT - HDD



ITEM	PART NAME	PART NO	REMARK
1	HDD COVER L285PB	42-P5271-012	
2	HDD SHIELDING PLATE	33-P2C01-010	
3	SCREW #6-32*5L B NI ACT	35-41306-5R0	
4	HDD HOLDER PC/ABS LP200	39-P2211-001	
5	M3*6L*0.5P BIND HEAD NI-PL	35-41130-6R0	
6	HDD SHIELDING AL FOIL L285P	47-P5071-011	

L295PT - Video Capture Module

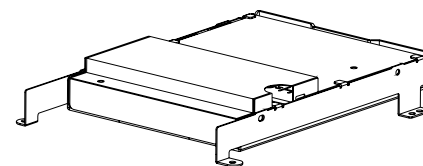
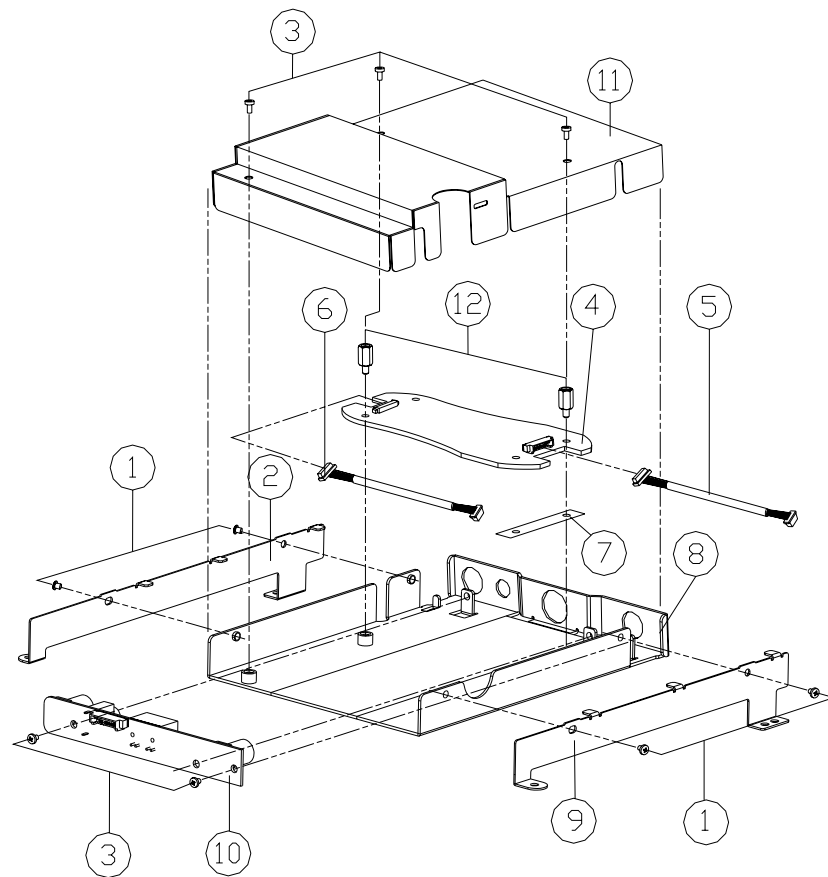


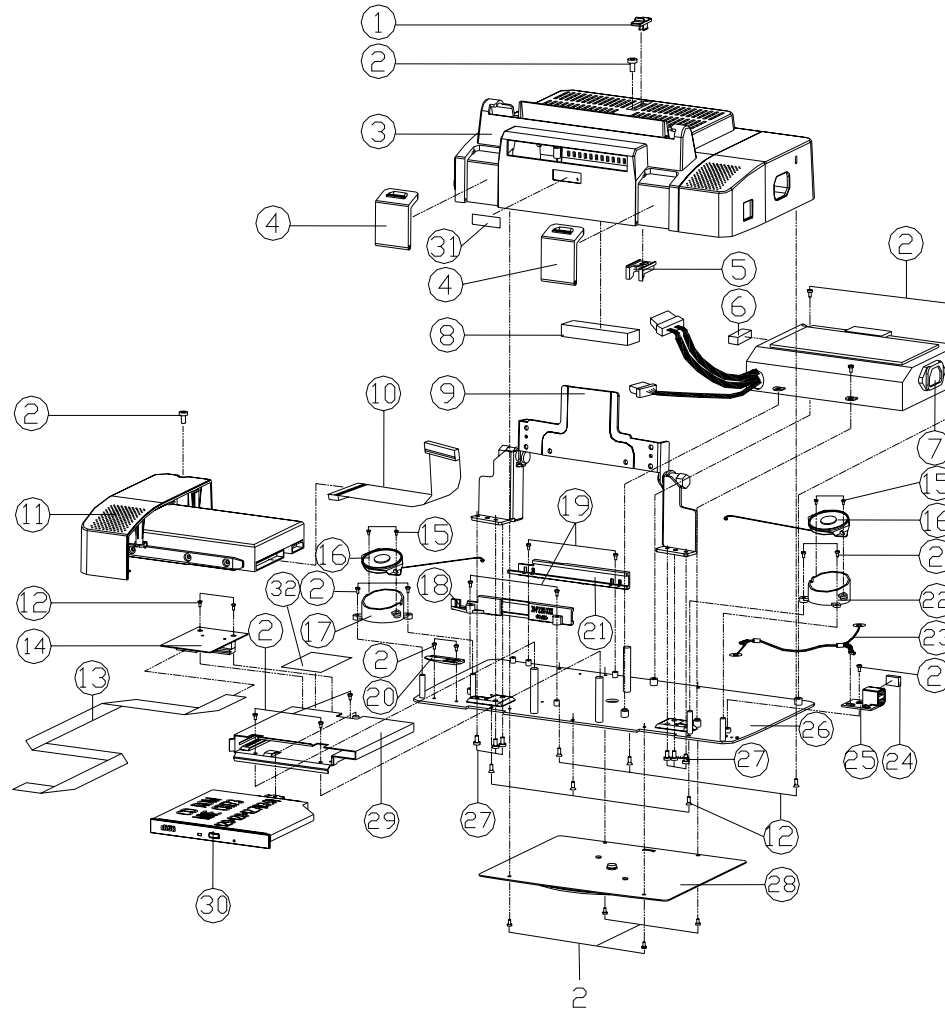
Figure A - 27
L295PT - Video
Capture Module

ITEM	PART NAME	PART NO	REMARK
1	SCREW M2.5*3L P BZ ICT NY	35-06125-3R0	
2	FDD BRACKET (R) SECC L285P	33-P500J-012	
3	SCREW M2.5*5L F MI ICT	35-21125-5RA	
4	AVerDVD EZMaker USB2.0 BOARD L297P	76-P2970-001	
5	WIRE CABLE FOR CAPTURE BOARD USB L297P	43-P297V-020	
6	WIRE CABLE FOR CAPTURE BOARD VIDEO L297P	43-P297V-010	
7	MYLAR FOR AVer DVD EZMAKER USB2.0 BOARD L297P	40-P297S-030	
8	VIDEO CAPTURE BRACKET SECC T=1 L297P	33-P297J-011	
9	FDD BRACKET (L) SECC L285P	33-P500J-022	
10	VIDEO CAPTURE BOARD L297P	77-P297H-003	
11	VIDEO CAPTURE BRACKET COVER FOR EMI	33-P297V-010	
12	HEX STUD 2.5 *5M-NI13MM FOR VIDEO CAPTURE L297P	34-P297V-010	

A.Part Lists

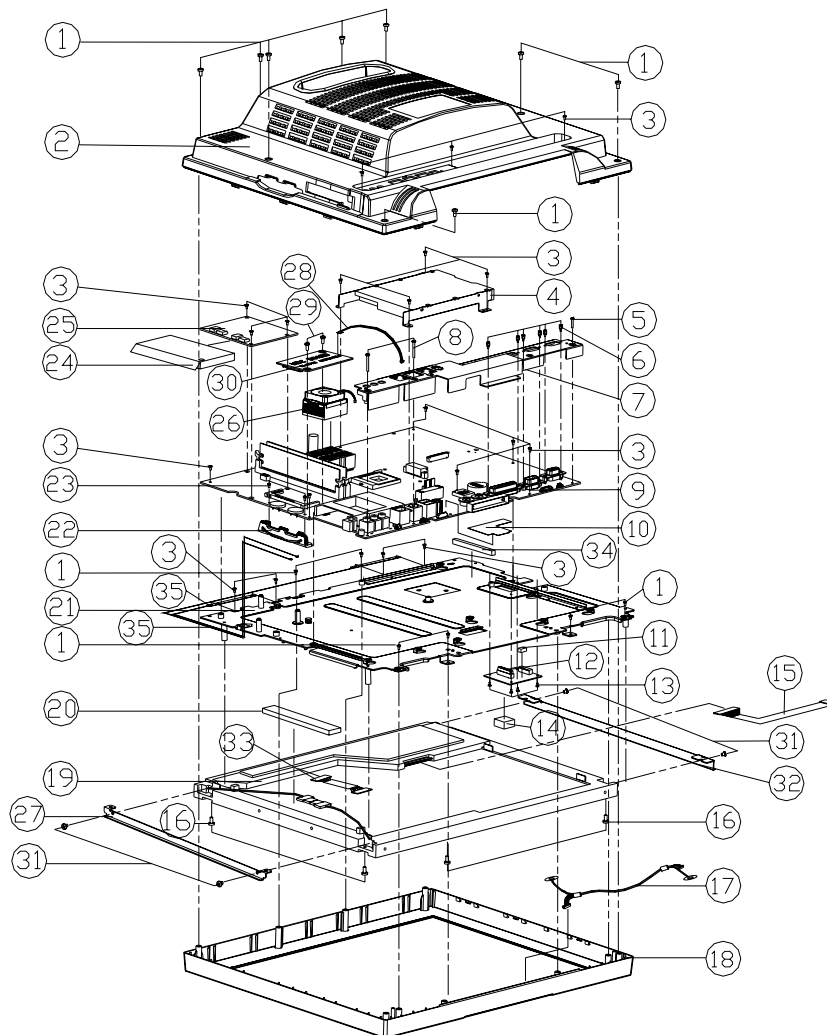
L297PB - Base

Figure A - 28
L297PB - Base



ITEM	PART NAME	PART NO	REMARK
1	CD-ROM EJECT KNDB PC/ABS L287P	42-P708Z-023	外包
2	SCREW M3*6L*0.5P BIND HEAD NI-PL	35-41130-6R0	
3	BASE COVER L287PB	39-P7203-013	外包
4	K/B TRAY PC/ABS L287P	42-P7037-012	外包
5	CD-ROM EJECT LOCK PC/ABS L287P	42-P708Z-012	
6	GASKET (L30*W10*H1.5mm) L287P	47-00190-309	
7	POWER SUPPLY 160W EP460A RE EDAC L287P	51-P7003-025	外包
8	GASKET (L60*W10*H1.5mm)	47-00190-607	
9	HINGE MODULE FOR 17" L287P	33-P707Y-100	
10	FLAT CABLE FOR HDD 40P L285P	43-P5001-012	
11	HDD COVER W/O HDD ASS'Y L287P/PC/S/L285K	79-P7021-010	
11	HDD COVER PC/ABS L287P/PC/S/L285K	42-P7271-021	
12	SCREW M3*6L F NI ICT NY	35-21130-6RA	
13	FFC CABLE FOR CD-ROM L297P	43-P297Z-010	
14	CD-ROM TRANSFER BD TO CD-ROM	77-P7A0N-002	
15	SCREW M2.5*5L B NI ICT	35-41125-5R0	
16	SPK WITH CABLE 40mm 2W B FG-40N08P	23-54020-241	
17	SPEAKER BDX-L PC/ABS L287P	42-P707T-021	
18	HDD HOLDER (B) PC/ABS LP200	39-P2213-001	
19	SCREW M3*6L KI NI ICT NY	35-B1130-6RA	
20	HDD COVER GUIDE PC/ABS L287P	42-P7071-010	
21	HDD HOLDER (A) PC/ABS LP200	39-P2212-001	
22	SPEAKER BDX-R PC/ABS L287P	42-P707T-011	
23	Ext. USB2.0 CABLE L285S	43-P5A0C-010	
24	GASKET (L150*W10*H1.5mm) FOR BASE ASS'Y L287P	47-00190-154	
25	Ext. USB BOARD	77-P7A03-001	
26	BASE METAL SECC L287P	33-P7003-021	
27	SCREW M4*8L KI NI ICT W/HAS NY	35-B1040-8RA	
28	STAND MODULE SECC L287P	33-P7073-101	
29	CD-ROM BRACKET SECC L287P	33-P7002-013	
30	CD-ROM ASS'Y (OPTIDN)	79-P702Z-010	
31	LCD PC LOGO L287P	45-P7001-010	
32	CD-ROM FDR CD-ROM PCB L297PA	47-P297S-010	

L297PB - Bracket



ITEM	PART NAME	PART NO	REMARK
1	M3*6L*0.5P BIND HEAD NI-PL	35-41130-6R0	
2	LCD BACK COVER MODULE L287PB	39-P2971-020	
3	SCREW M2.5*5L B NI ICT	35-41125-5R0	
4	FDD ASS'Y(OPTION) L297PB	79-P297J-010	
4	VIDEO CAPTURE ASS'Y	79-P297V-010	
4	CARD READER ASS'Y L297PB	79-P297E-010	
5	SCREW M2.5*14L KI NI ICT	35-B1125-14A	
6	HEX STUD SUM22 NI-PL 10mm	34-96002-000	
7	I/O BRACKET+GASKET MODULE SECC L297PB	33-P297S-100	
8	SCREW M2.5*23L KI NI ICT	35-B1125-230	
9	MAIN BOARD V2.0 L297P	77-P2970-002A	
10	M/B MYLAR L297P	40-P297S-020	
11	GASKET(1.9*4.5*0.4mm) FOR LCD BOARD L287P	47-00190-902	
12	CONVERTER BOARD FOR CHI MEI V3.0 L287P	77-P700V-013	
12	CONVERTER BOARD FOR LG V3.0 L297P	77-P297V-003	
13	SCREW M2*4L F NI ICT	35-21120-4R0	
14	GASKET(1.17*1.7*0.5mm) FOR LCD BOARD L287	47-00190-173	
15	LCD TO CONV. WIRE CABLE FOR CHI MEI L297P	43-P2971-070	
15	LCD TO CONV. WIRE CABLE FOR CHI L287P	43-P7001-010	
16	SCREW M3.5*10L F NIH	35-21135-100	CHI MEI/LG
16	SCREW M3.5*8L B NI ICT	35-41135-8R0	CHI
17	WIRE CABLE FOR LED SIGNAL 10P L287P	43-P700F-011	
18	LCD F-CVR ASS'Y L287PB	79-P7201-001	
19	LCD 17" TFT LG LM170E01-A5 SXGA 17mm	50-N32H0-L00	
19	LCD 17" TFT CHI MEI M170E5-L01 SXGA 17mm	50-N32H0-D00	
19	LCD 17" T CHI MEI M170E4-L02 20mm	50-N32K0-D02	
20	SPONGE (1.00*1.05*1.6) FOR PANEL L287P	47-0019A-101	
21	LCD BRACKET 17" SECC L297P	33-P2971-010	
22	VR COVER/PC/ABS L287PB	42-P7271-011	
23	SCREW M2*5L KI NI ICT	35-B1120-5RA	
24	INVERTER MYLAR PC L297P	40-P297S-010	
25	INVERTER BOARD FOR CHI MEI 170	77-P700R-011	
26	HEAT SINK MODULE W/FAN (70*70*15)	31-P707S-100	
27	ODI LCD BRACKET (L)	33-P2971-031	
28	WIRE CABLE FOR MDC MODEM V1.0 L287P	43-P700U-010	
29	SCREW M2*0.4P*3L B NI ICT	35-41120-3R0	
30	MDC MODEM MODULE	76-32200-003	
31	SCREW M3*5MM F NI ICT	35-F1130-5R0	
32	LCD BRACKET(R) FOR CHI MEI L297P	33-P2971-040	
33	LCD TO INVERTER CABLE FOR CHI MEI15 (1.00*1.00) L287P	43-P2971-060	
33	LCD TO INVERTER WIRE CABLE FOR HYU150 L285P	43-P5001-020	
33	LCD TO INVERTER CABLE FOR OSL170 (0.9*1.0) L297P	43-P2971-030	
34	GASKET (1.30*1.3*0.5mm) FOR LCD BRACKET L297P	47-00190-30F	
35	ANTENNA PIFA 2.4G 460mm L285P V1.0	23-742R4-A13	

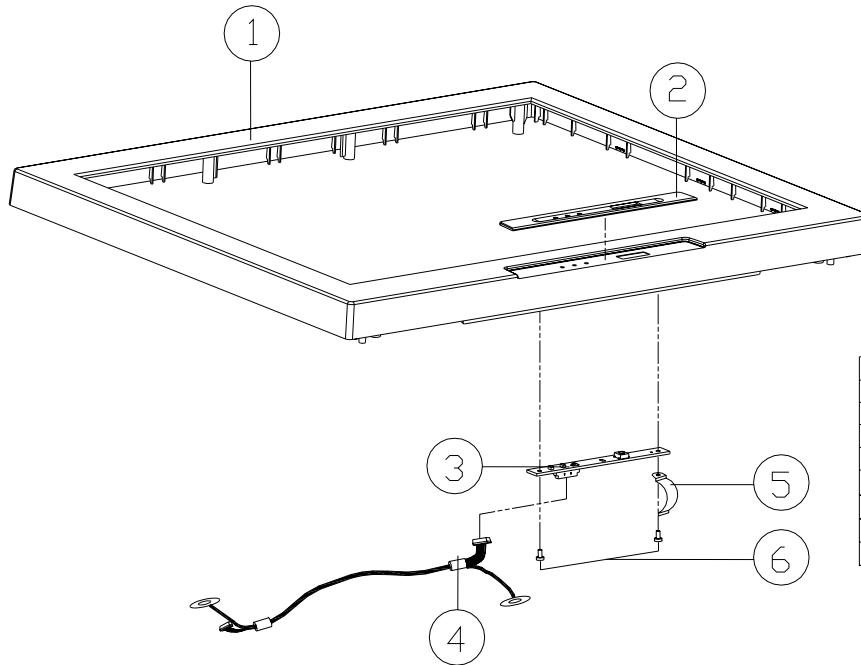
Figure A - 29
L297PB - Bracket

A.Part Lists

Part Lists

L297PB - Front

Figure A - 30
L297PB - Front



ITEM	PART NAME	PART NO	REMARK
1	LCD F-CVR 17" MODULE L287P	39-P7001-013	
1	LCD F-CVR 17" MODULE L287PB	39-P7201-012	
2	CONTROL PANEL 歷克力 L287P	42-P7091-022	
2	CONTROL PANEL PC L287PB	42-P7291-011	
3	LED BOARD	77-P7004-002	
4	WIRE CABLE FOR LED SIGNAL 10P L287P	43-P700F-011	
5	SPRING PLATE FOR LED BOARD H=21	38-P500S-010	
6	SCREW M2.5*5L B NI ICT	35-41125-5R0	

L297PB - Card Reader Module

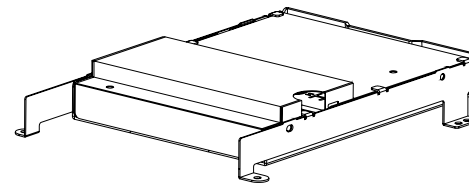
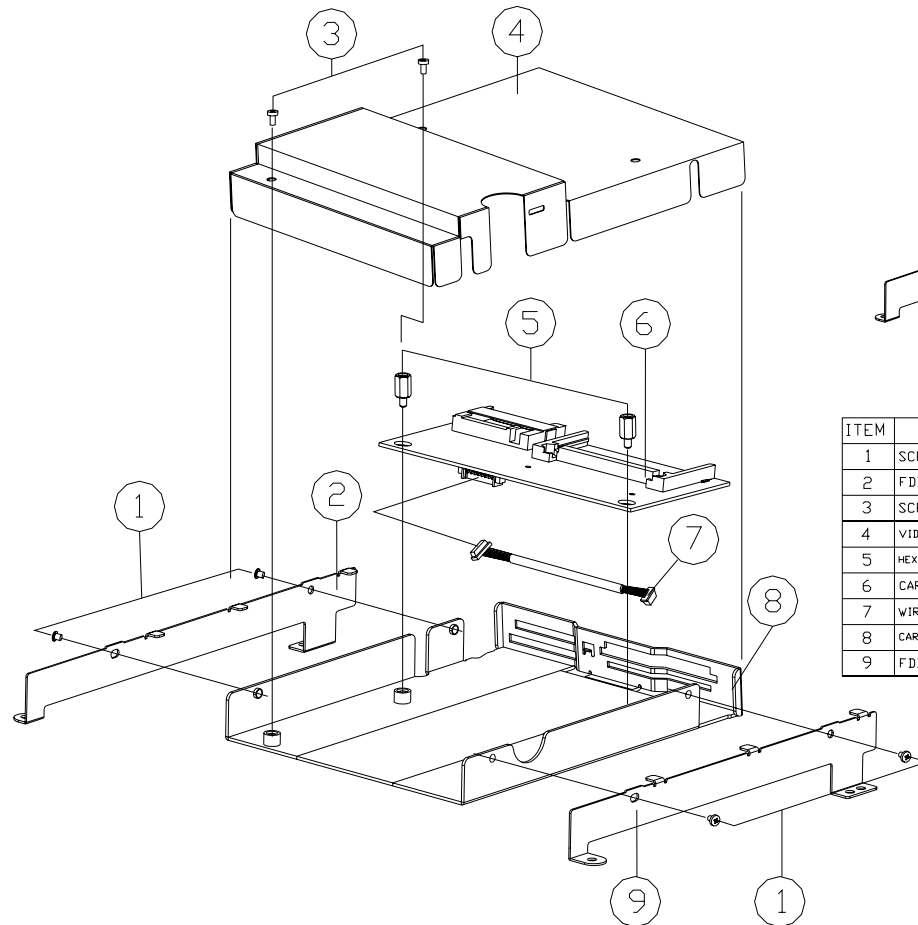
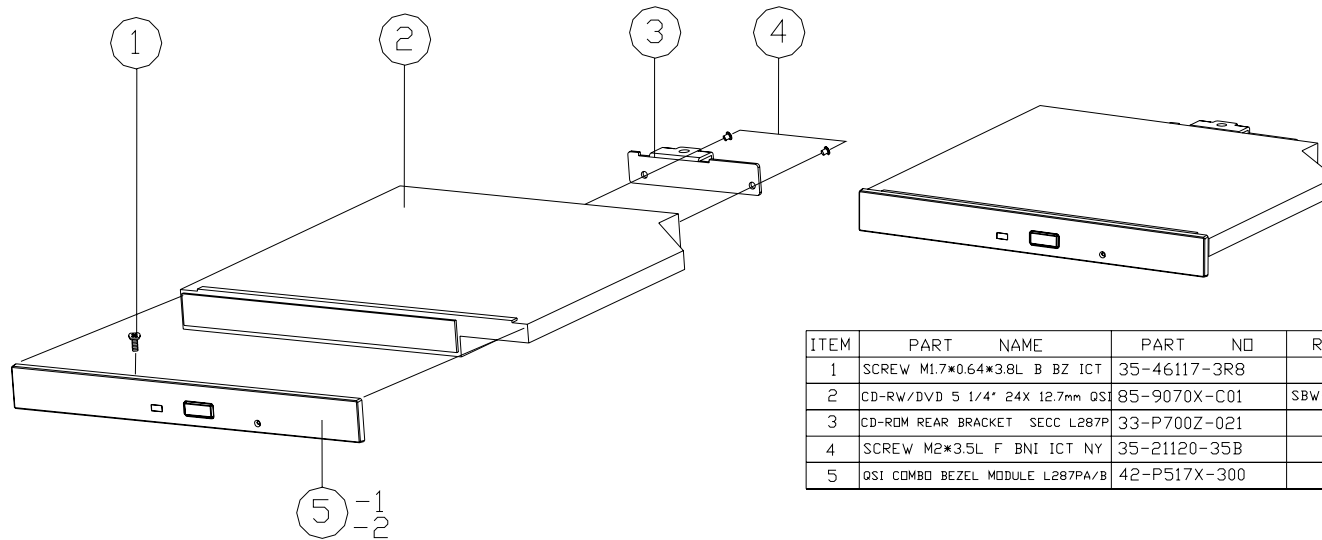


Figure A - 31
L297PB - Card Reader Module

ITEM	PART NAME	PART NO	REMARK
1	SCREW M2.5*3L P BZ ICT NY	35-06125-3R0	
2	FDD BRACKET (R) SECC L287P	33-P700J-010	
3	SCREW M2.5*5L F MI ICT	35-21125-5RA	
4	VIDE0 CAPTURE BRACKET COVER FOR EMI	33-P297V-010	
5	HEX STUD SUM22 NI-PL F=M2.5 11.6M L297P	34-P297E-010	
6	CARD READER MODULE V1.0 FOR D470W	88-D47E0-430	
7	WIRE CABLE FOR CARD READER L297P	43-P297E-010	
8	CARD READER BRACKET SECC L297P	33-P297J-021	
9	FDD BRACKET (L) SECC L285P	33-P700J-020	

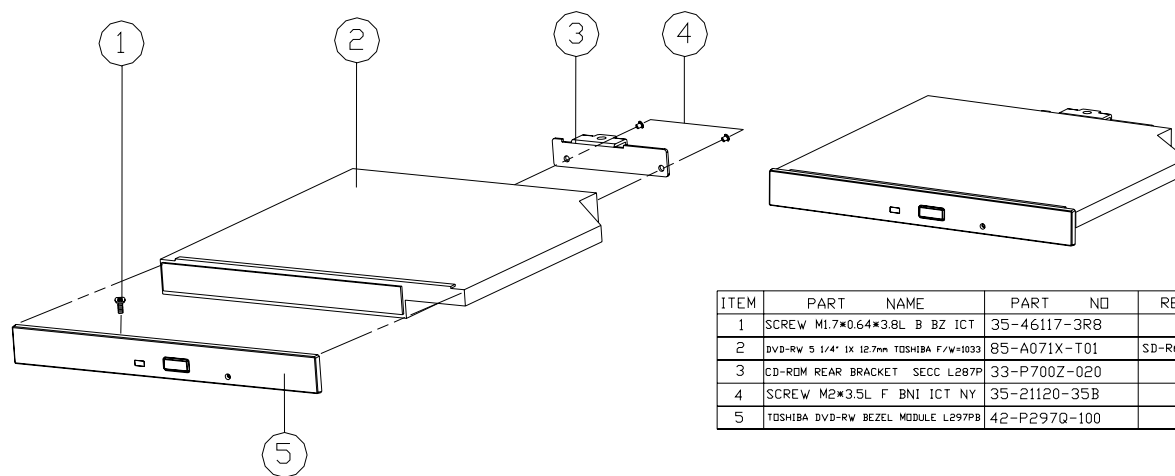
L297PB - Combo

Figure A - 32
L297PB - Combo



ITEM	PART NAME	PART NO	REMARK
1	SCREW M1.7*0.64*3.8L B BZ ICT	35-46117-3R8	
2	CD-RW/DVD 5 1/4" 24X 12.7mm QSI	85-9070X-C01	SBW-242
3	CD-RDM REAR BRACKET SECC L287P	33-P700Z-021	
4	SCREW M2*3.5L F BNI ICT NY	35-21120-35B	
5	QSI COMBO BEZEL MODULE L287PA/B	42-P517X-300	

L297PB - DVD

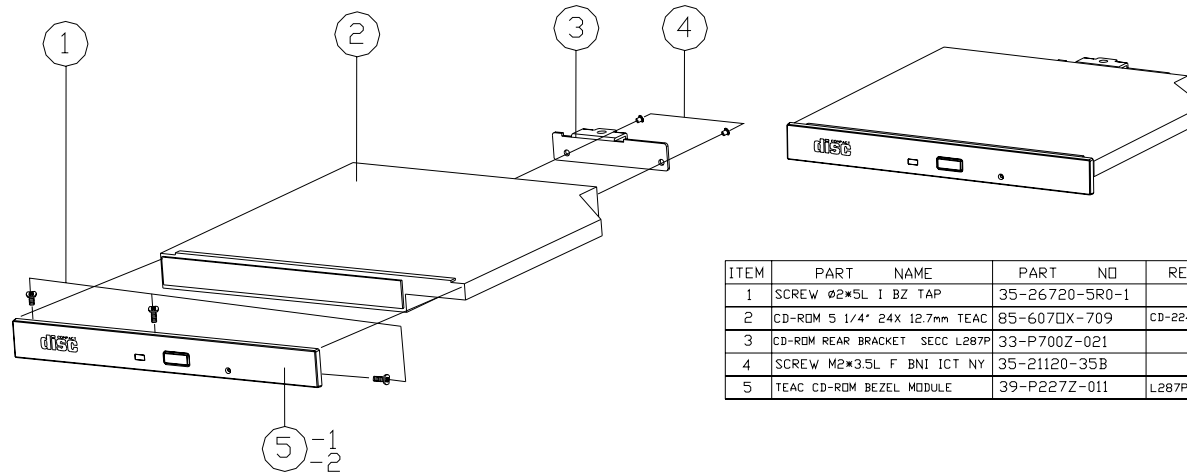


ITEM	PART NAME	PART NO	REMARK
1	SCREW M1.7*0.64*3.8L B BZ ICT	35-46117-3R8	
2	DVD-RW 5 1/4" 1X 12.7mm TOSHIBA F/W=1033	85-A071X-T01	SD-R6012
3	CD-ROM REAR BRACKET SECC L287P	33-P700Z-020	
4	SCREW M2*3.5L F BNI ICT NY	35-21120-35B	
5	TOSHIBA DVD-RW BEZEL MODULE L297PB	42-P297Q-100	

Figure A - 33
L297PB - DVD

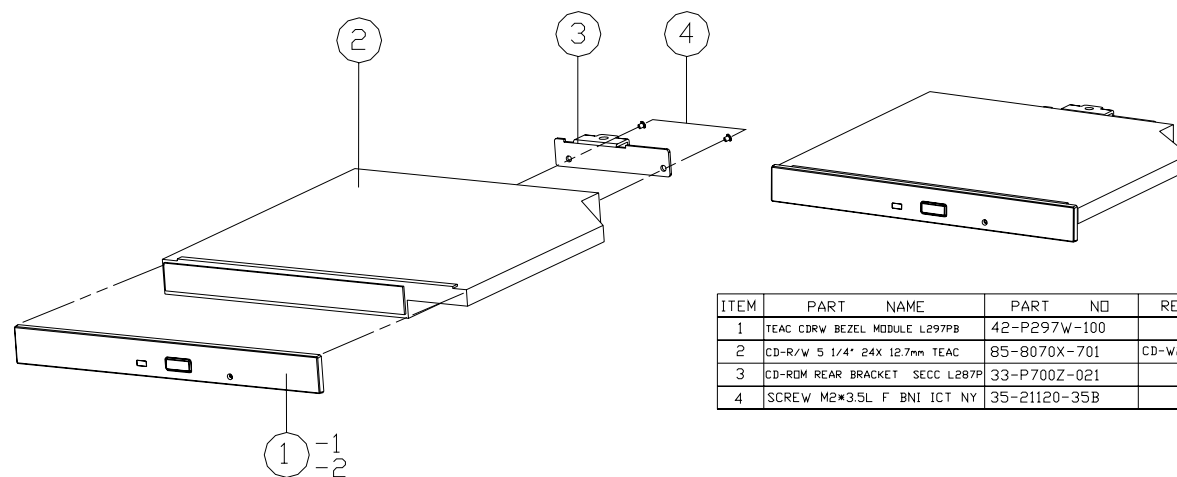
L297PB - CD-ROM

Figure A - 34
L297PB - CD-ROM



ITEM	PART NAME	PART NO	REMARK
1	SCREW $\varnothing 2 \times 5L$ I BZ TAP	35-26720-5R0-1	
2	CD-ROM 5 1/4" 24X 12.7mm TEAC	85-6070X-709	CD-224E-C20
3	CD-ROM REAR BRACKET SECC L287P	33-P700Z-021	
4	SCREW M2 \times 3.5L F BNI ICT NY	35-21120-35B	
5	TEAC CD-ROM BEZEL MODULE	39-P227Z-011	L287PB

L297PB - CDRW



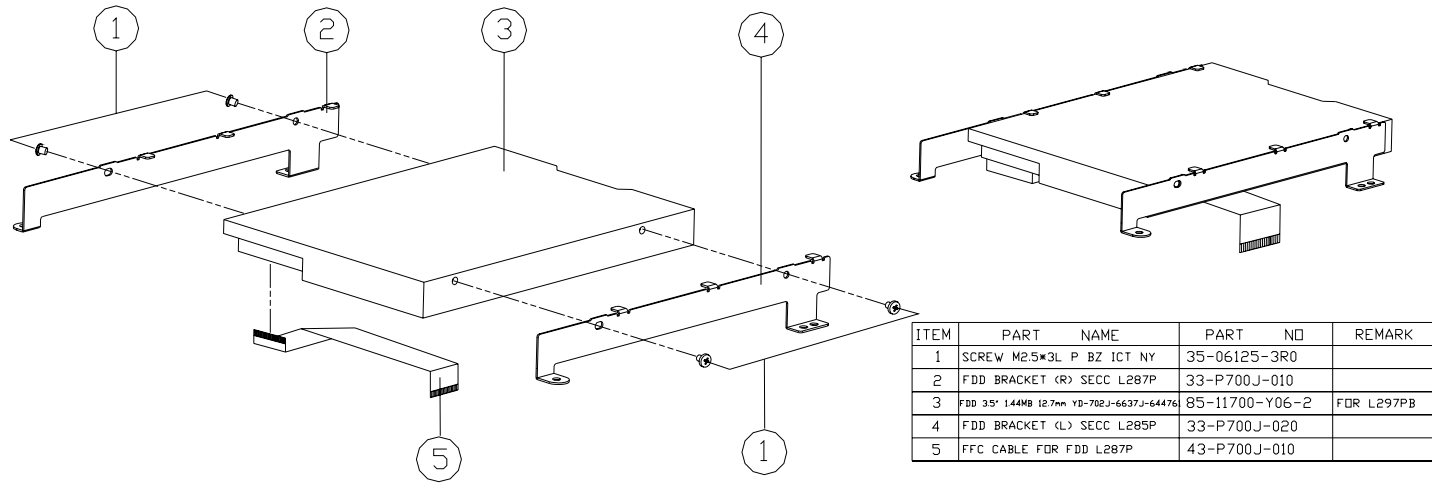
ITEM	PART NAME	PART NO	REMARK
1	TEAC CDRW BEZEL MODULE L297PB	42-P297W-100	
2	CD-R/W 5 1/4" 24X 12.7mm TEAC	85-8070X-701	CD-W224E-A20
3	CD-RDM REAR BRACKET SECC L287P	33-P700Z-021	
4	SCREW M2*3.5L F BNI ICT NY	35-21120-35B	

Figure A - 35
L297PB - CDRW

A.Part Lists

L297PB - FDD

Figure A - 36
L297PB - FDD



ITEM	PART NAME	PART NO	REMARK
1	SCREW M2.5*3L P BZ ICT NY	35-06125-3R0	
2	FDD BRACKET (R) SECC L287P	33-P700J-010	
3	FDD 3.5" 1.44MB 18.7mm YD-702-J-6637J-64476	85-11700-Y06-2	FOR L297PB
4	FDD BRACKET (L) SECC L285P	33-P700J-020	
5	FFC CABLE FOR FDD L287P	43-P700J-010	

L297PB - HDD

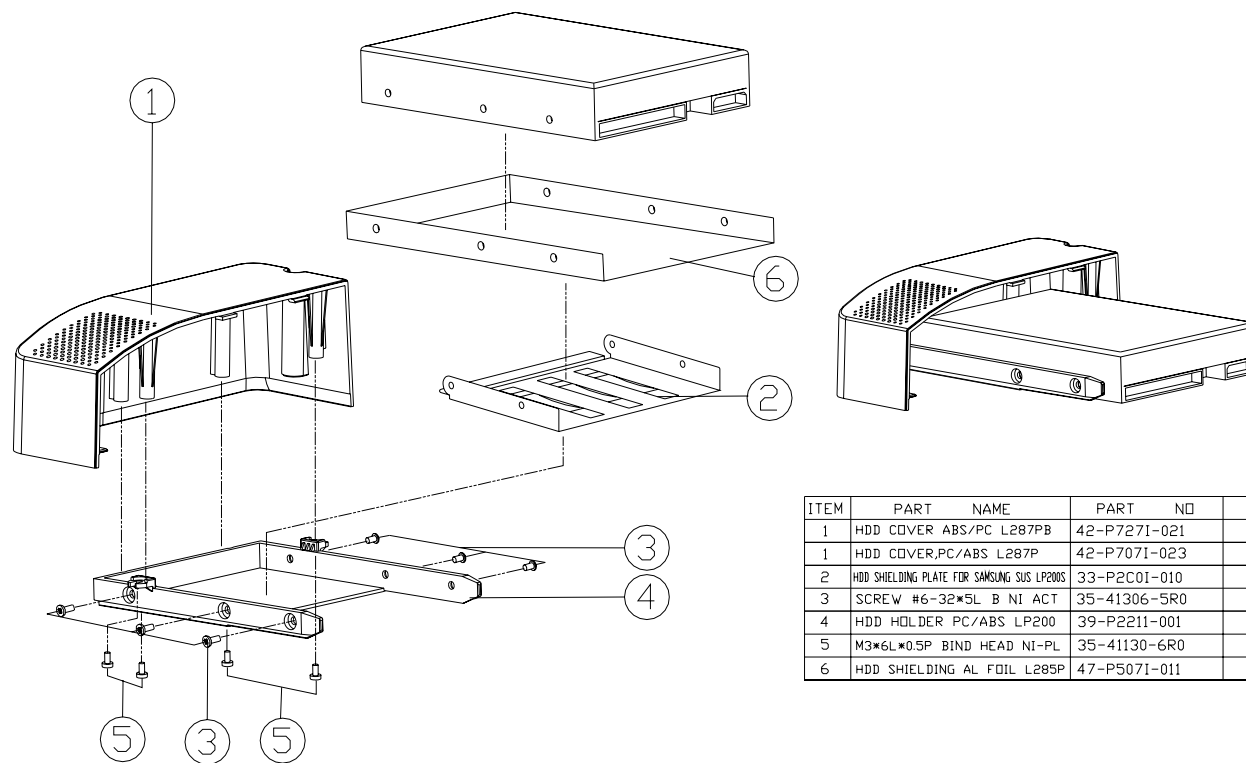


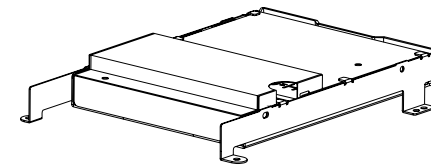
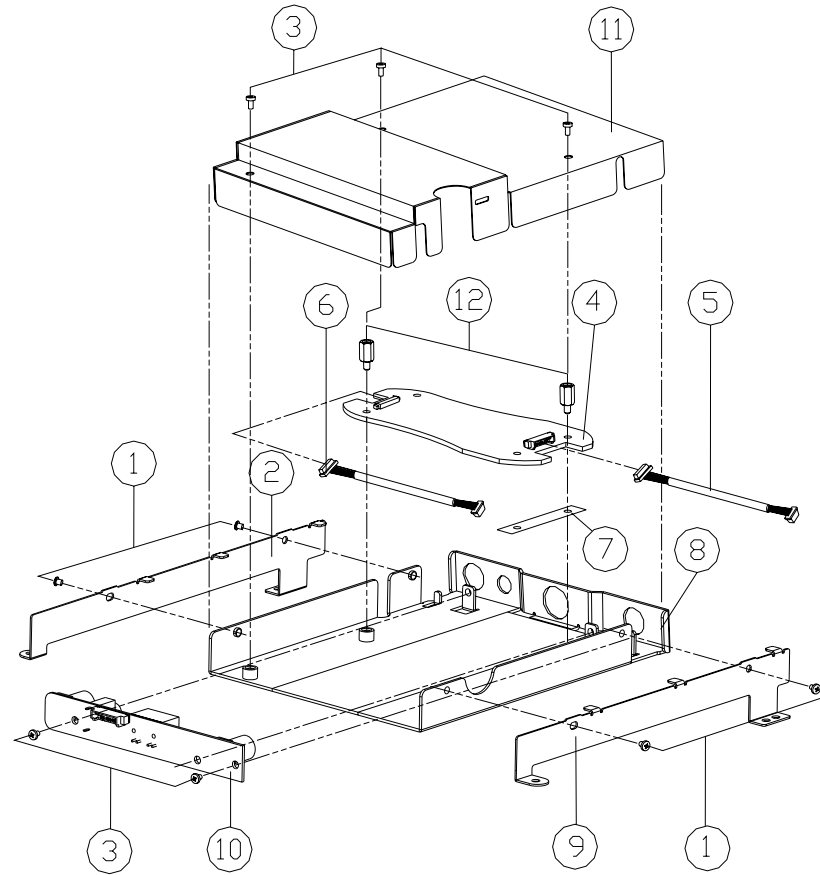
Figure A - 37
L297PB - HDD

ITEM	PART NAME	PART NO	REMARK
1	HDD COVER ABS/PC L287PB	42-P7271-021	
1	HDD COVER,PC/ABS L287P	42-P7071-023	
2	HDD SHIELDING PLATE FOR SAMSUNG SUS LP200S	33-P2C01-010	
3	SCREW #6-32*SL B NI ACT	35-41306-5R0	
4	HDD HOLDER PC/ABS LP200	39-P2211-001	
5	M3*6L*0.5P BIND HEAD NI-PL	35-41130-6R0	
6	HDD SHIELDING AL FOIL L285P	47-P5071-011	

A.Part Lists

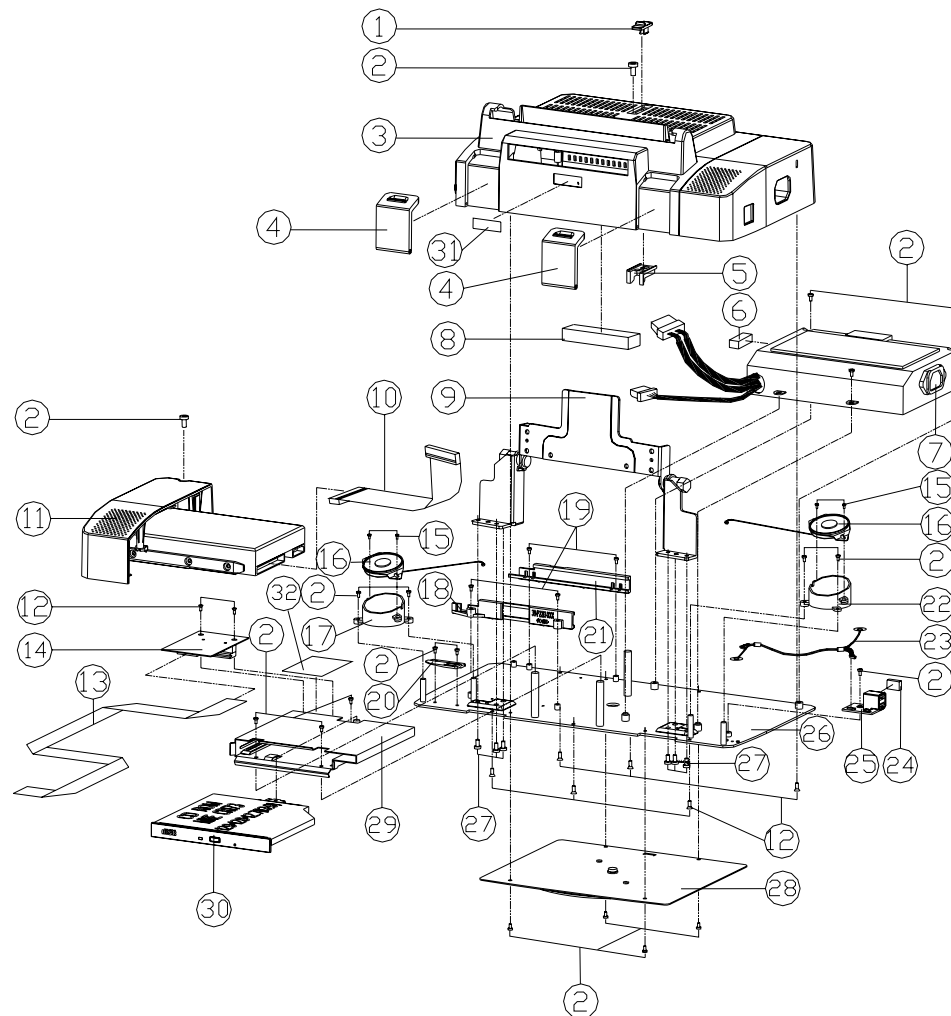
L297PB - Video Capture Module

Figure A - 38
L297PB - Video
Capture Module



ITEM	PART	NAME	PART	NO	REMARK
1	SCREW	M2.5*3L P BZ ICT NY	35-06125-3R0		
2	FDD BRACKET (R)	SECC L287P	33-P700J-010		
3	SCREW	M2.5*5L F MI ICT	35-21125-5RA		
4	AverDVD EZMaker	USB2.0 BOARD L297P	76-P2970-001		
5	WIRE CABLE FOR CAPTURE BOARD	USB L297P	43-P297V-020		
6	WIRE CABLE FOR CAPTURE BOARD	VIDEO L297P	43-P297V-010		
7	MYLAR FOR AVer DVD EZMAKER	USB2.0 BOARD L297P	40-P297S-030		
8	VIDEO CAPTURE BRACKET SECC	T=1 L297P	33-P297J-011		
9	FDD BRACKET (L)	SECC L285P	33-P700J-020		
10	VIDEO CAPTURE BOARD	L297P	77-P297H-003		
11	VIDEO CAPTURE BRACKET COVER	FOR EMI	33-P297V-010		
12	HEX STUD	2.5 *3M-NI10MM FOR VIDEO CAPTURE	L297P	34-P297V-010	

L297PD - Base



ITEM	PART NAME	PART NO	REMARK
1	CD-ROM EJECT KNIB PC/ABS L287P	42-P708Z-024	外包
2	SCREW M3*6L*0.5P BIND HEAD NI-PL	35-41130-6R0	
3	BASE COVER L287P	39-P7013-01D	外包
4	K/B TRAY PC/ABS L287P	42-P7037-012	外包
5	CD-ROM EJECT LOCK PC/ABS L287P	42-P708Z-012	
6	GASKET (L30*W10*H1.5mm) L287P	47-00190-309	
7	POWER SUPPLY 160W EP1466A RE EMAC L287P	51-P7003-025	外包
8	GASKET (L60*W10*H1.5mm)	47-00190-607	
9	HINGE MODULE FOR I7' L287P	33-P707Y-100	
10	FLAT CABLE FOR HDD 40P L285P	43-P5001-012	
11	HDD COVER/CD HDD ASSY L287P/PE/SD/L285P	79-P7021-010	
11	HDD COVER PC/ABS L287P	42-P7071-023	
12	SCREW M3*6L F NI ICT NY	35-21130-6RA	
13	FFC CABLE FOR CD-ROM L297P	43-P297Z-010	
14	CD-ROM TRANSFER BD TO CD-ROM	77-P7A0N-102	
15	SCREW M2.5*5L B NI ICT	35-41125-5R0	
16	SPK WITH CABLE 40mm 2W 8 FG-40NBEP	23-54020-241	
17	SPEAKER BDX-L PC/ABS L287P	42-P7071-021	
18	HDD HOLDER (B) PC/ABS LP200	39-P2213-001	
19	SCREW M3*6L KI NI ICT NY	35-B1130-6RA	
20	HDD COVER GUIDE PC/ABS L287P	42-P7071-010	
21	HDD HOLDER (A) PC/ABS LP200	39-P2212-001	
22	SPEAKER BDX-R PC/ABS L287P	42-P7071-011	
23	Ext. USB2.0 CABLE L285S	43-P5A0C-010	
24	GASKET (L150*W10*H1.5mm) FOR BASE ASSY LPE	47-00190-154	
25	Ext. USB BOARD	77-P7A03-001	
26	BASE METAL SECC L287P	33-P7003-021	
27	SCREW M4*8L KI NI ICT W/WAS NY	35-B1040-9RA	
28	STAND MODULE SECC L287P	33-P7073-101	
29	CD-ROM BRACKET SECC L287P	33-P7002-013	
30	CD-ROM ASS'Y (OPTIDN)	79-P7022-010	
31	LCD PC LOGO L287P	45-P7001-010	
32	組立用 40pin FFC FOR CD-ROM PCB L297P	47-P297S-010	

Figure A - 39
L297PD - Base

A.Part Lists

L297PD - Bracket

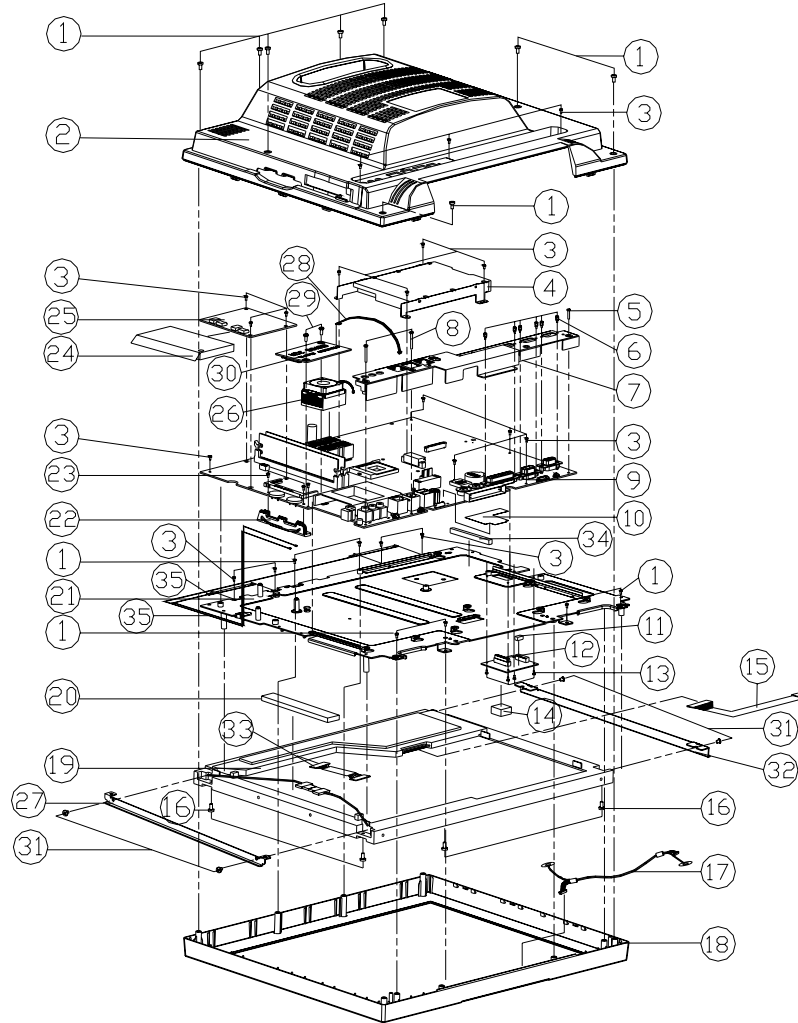


Figure A - 40
L297PD - Bracket

ITEM	PART NAME	PART NO	REMARK
1	M3*6L*0.5P BIND HEAD NI-PL	35-41130-6R0	
2	LCD BACK COVER MODULE L287P	39-P700B-025	
3	SCREW M2.5*5L B NI ICT	35-41125-5R0	
4	FDD ASS'Y<OPTIO> L297PB	79-P297J-010	
4	VIDEO CAPTURE ASS'Y	79-P297V-010	
4	CARD READER ASS'Y L297PB	79-P297E-010	
5	SCREW M2.5*14L K1 NI ICT	35-B1125-14A	
6	HEX STUD SUM22 NI-PL 10mm	34-96002-000	
7	I/O BRACKET-GASKET MODULE,SECC L297PK	33-P297S-100	
8	SCREW M2.5*23L K1 NI ICT	35-B1125-230	
9	MAIN BOARD V2.0 L297P	77-P2970-002A	
10	M/B MYLAR L297P	40-P297S-020	
11	GASKET<L9*W5*H4mm> FOR LCD BOARD L287P	47-00190-902	
12	CONVERTER BOARD FOR CHI MEI V3.0 L287P	77-P700V-013	
12	CONVERTER BOARD FOR LG V3.0 L297P	77-P297V-003	
13	SCREW M2*4L F NI ICT	35-21120-4R0	
14	GASKET<L17*W17*H8.5mm> FOR LCD BOARD L287P	47-00190-173	
15	LCD TO CONV. WIRE CABLE FOR CHI MEI L297P	43-P2971-070	
15	LCD TO CONV. WIRE CABLE FOR CHI L287P	43-P7001-010	
16	SCREW M3.5*10L F NIH	35-21135-100	CHI MEI/LG
16	SCREW M3.5*8L B NI ICT	35-41135-8R0	CHI
17	WIRE CABLE FOR LED SIGNAL 10P L287P	43-P700F-011	
18	LCD F-CVR ASS'Y FOR ODI/CHI MEI/AU	79-P7001-004	
19	LCD 17" TFT CHI MEI M70E5-L01 SXGA 17mm	50-N32H0-D00	
20	SPONGE<L100*W15*H6> FOR PANEL L287P	47-0019A-101	
21	LCD BRACKET 17" SECC L297P	33-P2971-010	
22	VR COVER,PC/ABS L287P	42-P7071-012	
23	SCREW M2*5L K1 NI ICT	35-B1120-5RA	
24	INVERTER MYLAR PC L297P	40-P297S-010	
25	INVERTER BOARD FOR CHI MEI 170	77-P700R-011	
26	HEAT SINK MODULE W/FAN<70*70*15>	31-P707S-100	
27	LCD BRACKET<L> FOR ODI<ODI7EL07>	33-P2971-031	
28	WIRE CABLE FOR MDC MODEM V1.0 L287P	43-P700U-010	
29	SCREW M2*0.4P*3L B NI ICT	35-41120-3R0	
30	MDC MODEM MODULE	76-32200-003	
31	SCREW M3*5MM F NI ICT	35-F1130-5R0	
32	LCD BRACKET<R> FOR CHI MEI L297P	33-P2971-040	
33	LCD TO INVERTER CABLE FOR CHI MEI170<L1300> L297P	43-P2971-060	
33	LCD TO INVERTER WIRE CABLE FOR HU150 L285P	43-P5001-020	
33	LCD TO INVERTER CABLE FOR ODI170<ODI70> L297PK	43-P2971-030	
34	GASKET<L30*W13*H5.5mm> FOR LCD BRACKET L297P	47-00190-30F	
35	ANTENNA PIFA 2.4G 460mm L285P V1.0	23-742R4-A13	

L297PD - Front

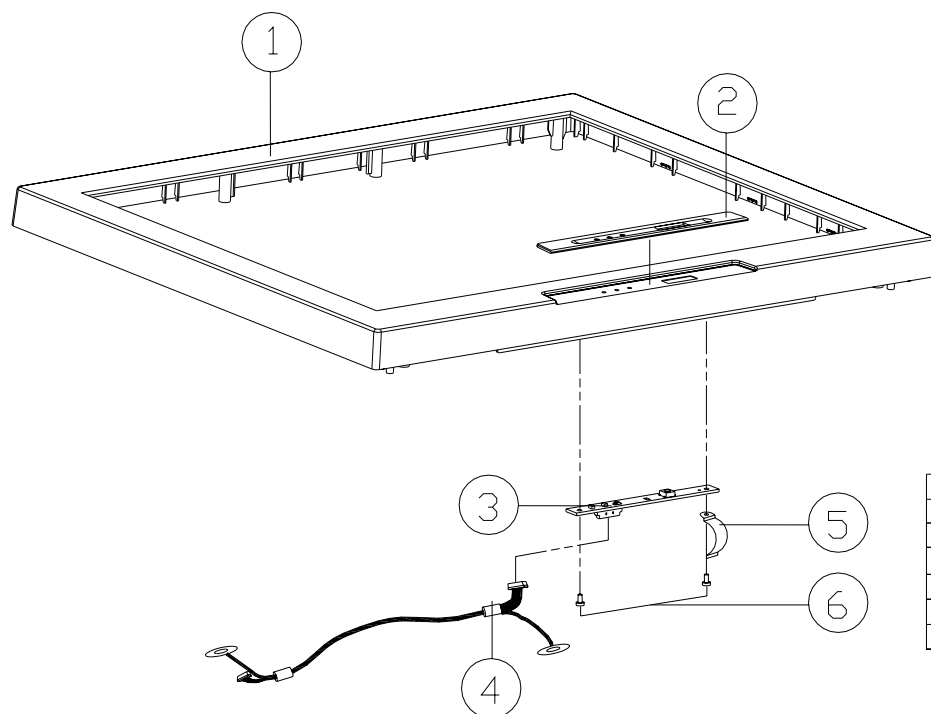


Figure A - 41
L297PD - Front

ITEM	PART NAME	PART NO	REMARK
1	LCD F-CVR 17" MODULE L287P	39-P7001-013	
2	CONTROL PANEL 亚克力 L287P	42-P7091-022	
3	LED BOARD	77-P7004-002	
4	WIRE CABLE FOR LED SIGNAL 10P L287P	43-P700F-011	
5	SPRING PLATE FOR LED BOARD H=21	38-P500S-010	
6	SCREW M2.5*5L B NI ICT	35-41125-5R0	

A.Part Lists

L297PD - Card Reader Module

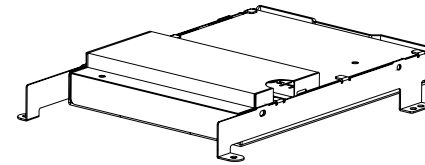
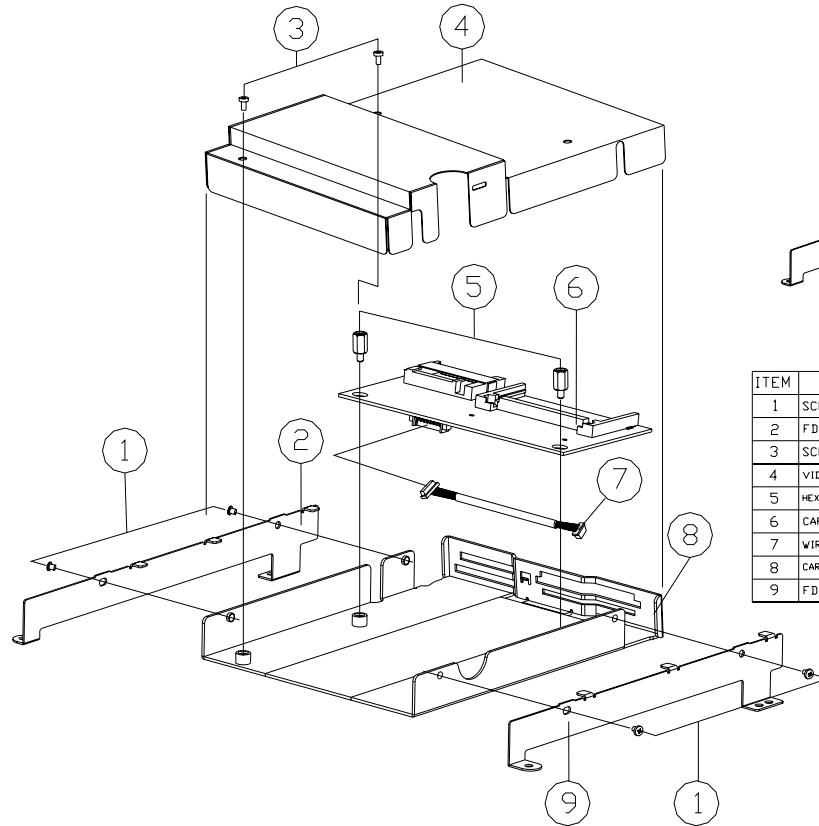
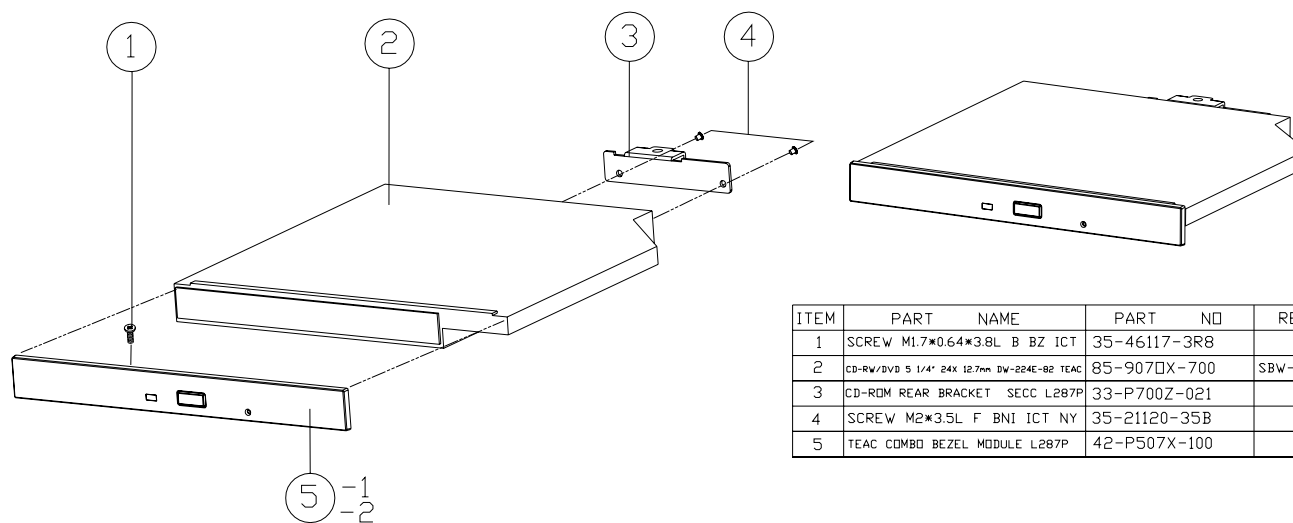


Figure A - 42
L297PD - Card
Reader Module

ITEM	PART NAME	PART NO	REMARK
1	SCREW M2.5*3L P BZ ICT NY	35-06125-3R0	
2	FDD BRACKET (R) SECC L287P	33-P700J-010	
3	SCREW M2.5*5L F MI ICT	35-21125-5RA	
4	VIDEO CAPTURE BRACKET COVER FOR EMI	33-P297V-010	
5	HEX STUD SUM22 NI-PL F-M2.5 11.6M L297P	34-P297E-010	
6	CARD READER MODULE V1.0 FOR D470W	88-D47E0-430	
7	WIRE CABLE FOR CARD READER L297P	43-P297E-010	
8	CARD READER BRACKET SECC L297P	33-P297J-021	
9	FDD BRACKET (L) SECC L285P	33-P700J-020	

L297PD - Combo



ITEM	PART NAME	PART NO	REMARK
1	SCREW M1.7*0.64*3.8L B BZ ICT	35-46117-3R8	
2	CD-RW/DVD 5 1/4" 24X 12.7mm DW-224E-82 TEAC	85-907DX-700	SBW-242
3	CD-RDM REAR BRACKET SECC L287P	33-P700Z-021	
4	SCREW M2*3.5L F BNI ICT NY	35-21120-35B	
5	TEAC COMBO BEZEL MODULE L287P	42-P507X-100	

Figure A - 43
L297PD - Combo

A.Part Lists

L297PD - DVD

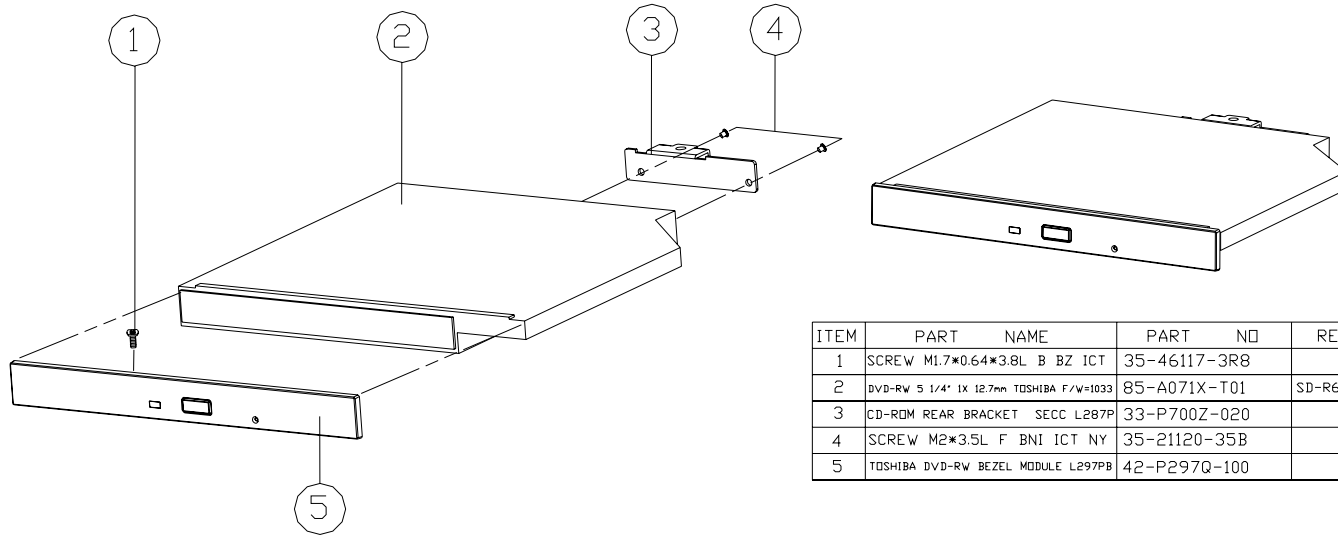


Figure A - 44
L297PD - DVD

ITEM	PART NAME	PART NO	REMARK
1	SCREW M1.7*0.64*3.8L B BZ ICT	35-46117-3R8	
2	DVD-RW 5 1/4" 1X 12.7mm TOSHIBA F/W=1033	85-A071X-T01	SD-R6012
3	CD-RDM REAR BRACKET SECC L287P	33-P700Z-020	
4	SCREW M2*3.5L F BNI ICT NY	35-21120-35B	
5	TOSHIBA DVD-RW BEZEL MODULE L297PB	42-P297Q-100	

L297PD - CD-ROM

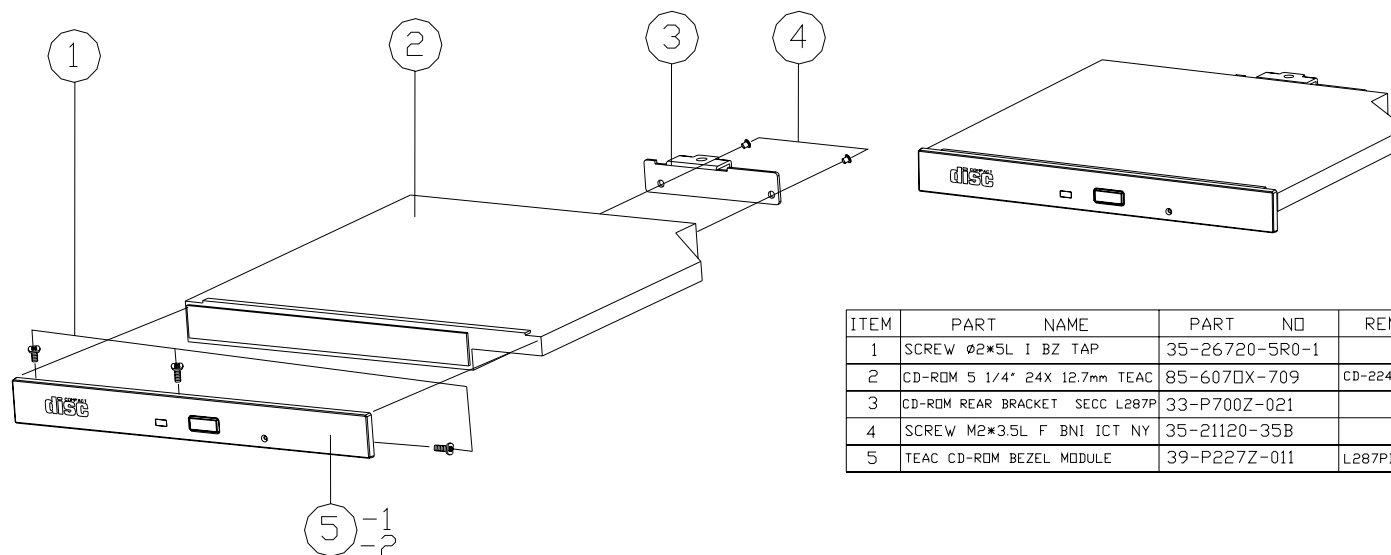


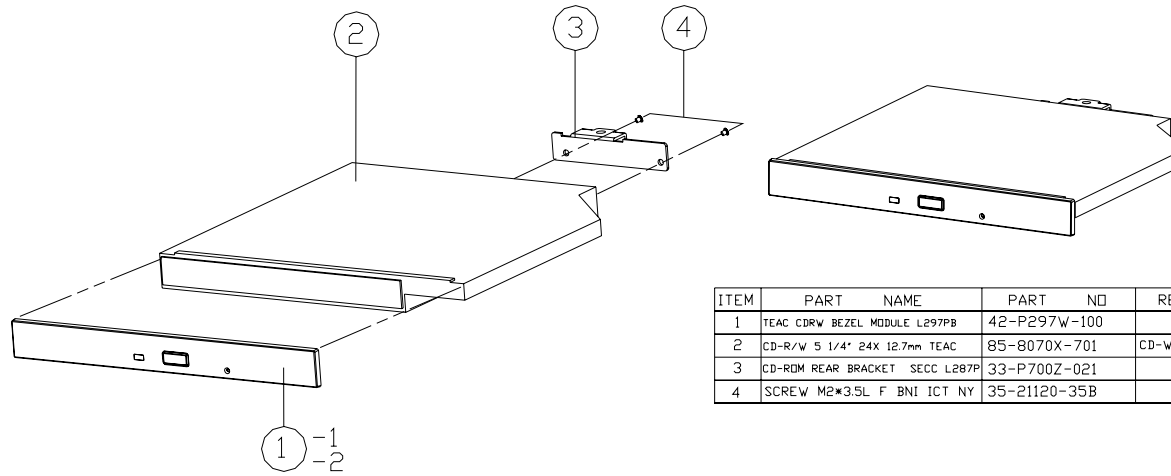
Figure A - 45
L297PD - CD-ROM

ITEM	PART NAME	PART NO	REMARK
1	SCREW Ø2*5L I BZ TAP	35-26720-5R0-1	
2	CD-ROM 5 1/4" 24X 12.7mm TEAC	85-607DX-709	CD-224E-C20
3	CD-ROM REAR BRACKET SECC L287P	33-P700Z-021	
4	SCREW M2*3.5L F BNI ICT NY	35-21120-35B	
5	TEAC CD-ROM BEZEL MODULE	39-P227Z-011	L287PB

A.Part Lists

L297PD - CDRW

Figure A - 46
L297PD - CDRW



ITEM	PART NAME	PART NO	REMARK
1	TEAC CDRW BEZEL MODULE L297PB	42-P297W-100	
2	CD-R/W 5 1/4" 24X 12.7mm TEAC	85-8070X-701	CD-W224E-A20
3	CD-ROM REAR BRACKET SECC L287P	33-P700Z-021	
4	SCREW M2*3.5L F BNI ICT NY	35-21120-35B	

L297PD - FDD

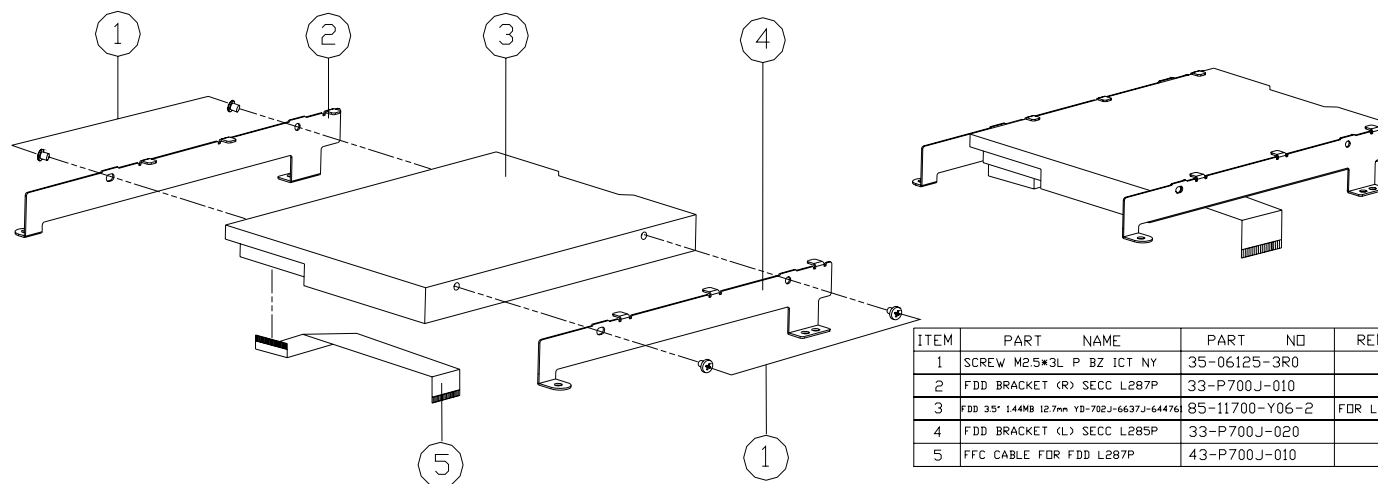


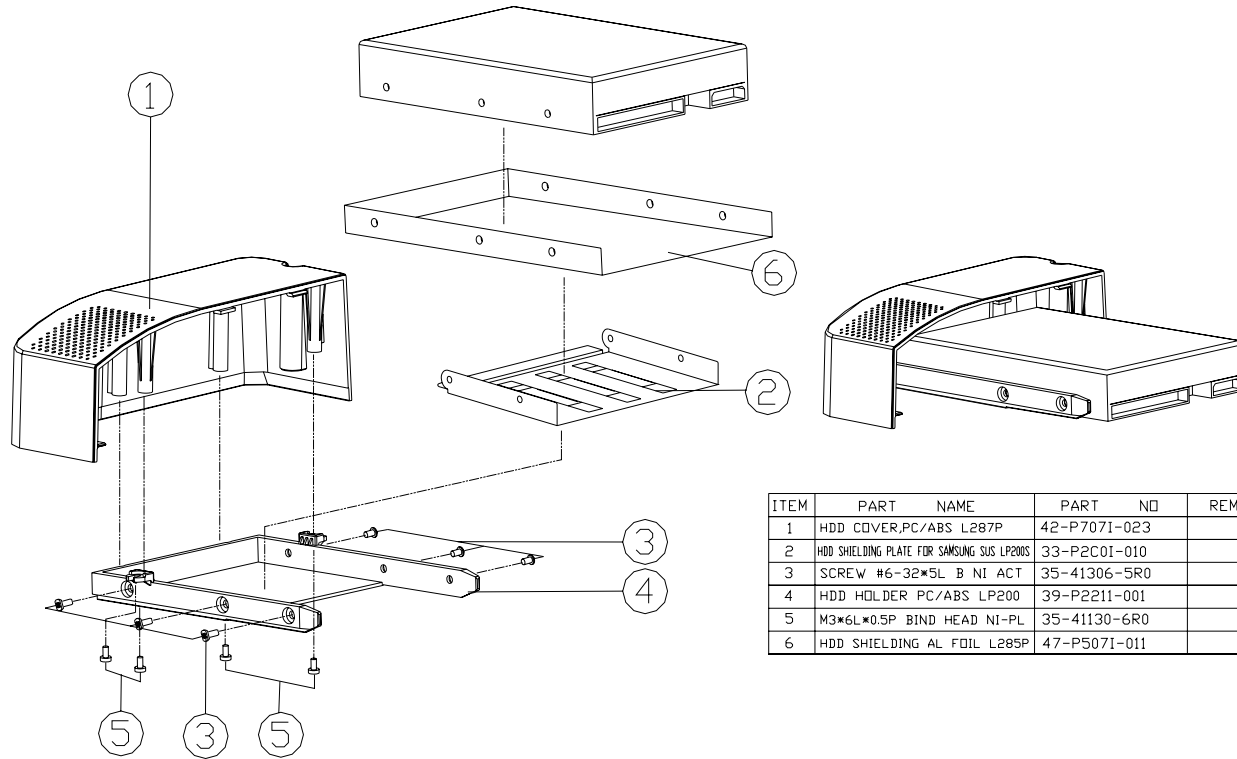
Figure A - 47
L297PD - FDD

ITEM	PART NAME	PART NO	REMARK
1	SCREW M2.5*3L P BZ ICT NY	35-06125-3R0	
2	FDD BRACKET (R) SECC L287P	33-P700J-010	
3	FDD 35' 1.44MB 12.7mm YD-702J-6637J-64476	85-11700-Y06-2	FDR L297PB
4	FDD BRACKET (L) SECC L285P	33-P700J-020	
5	FFC CABLE FOR FDD L287P	43-P700J-010	

A.Part Lists

L297PD - HDD

Figure A - 48
L297PD - HDD



ITEM	PART NAME	PART NO	REMARK
1	HDD COVER,PC/ABS L287P	42-P7071-023	
2	HDD SHIELDING PLATE FOR SAMSUNG SUS LP200S	33-P2C01-010	
3	SCREW #6-32*5L B NI ACT	35-41306-5R0	
4	HDD HOLDER PC/ABS LP200	39-P2211-001	
5	M3*6L*0.5P BIND HEAD NI-PL	35-41130-6R0	
6	HDD SHIELDING AL FOIL L285P	47-P5071-011	

Appendix B: Schematic Diagrams

This appendix has circuit diagrams of the systems PCB's:

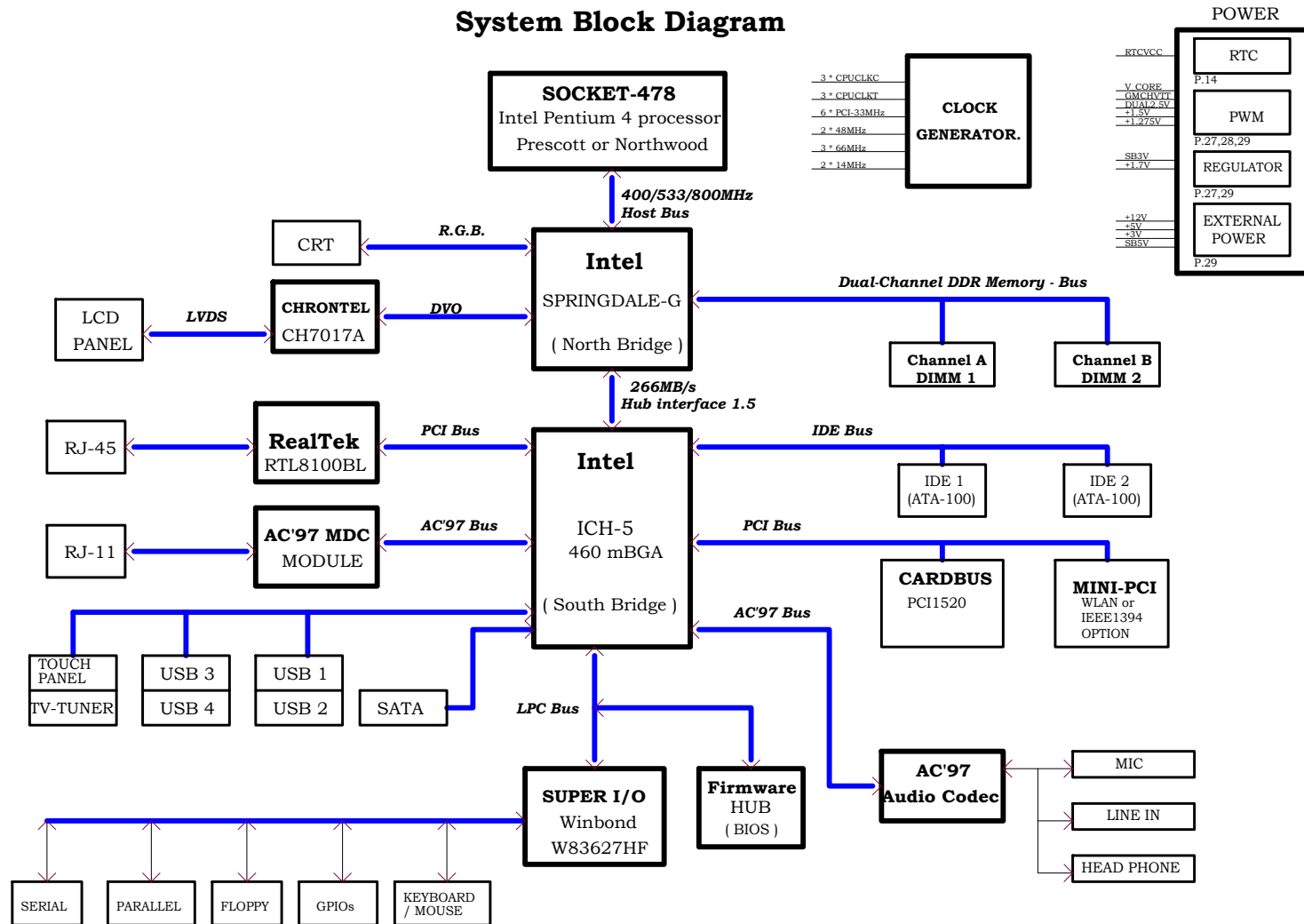
Diagram - Page	Diagram - Page
<i>System Block Diagram - Page B - 2</i>	<i>ICH5 (PCI, IDE, UHB, USB, LAN) - Page B - 16</i>
<i>Northwood - 1 of 2 - Page B - 3</i>	<i>Thermal & Fan Controller - Page B - 17</i>
<i>Northwood - 2 of 2 - Page B - 4</i>	<i>Cardbus PCI1520 - Page B - 18</i>
<i>Clock Generator - Page B - 5</i>	<i>IEEE 1394 - Page B - 19</i>
<i>MCH Power - Page B - 6</i>	<i>Cardbus Slot & Mini PCI - Page B - 20</i>
<i>MCH Host - Page B - 7</i>	<i>LAN RTL8100BL - Page B - 21</i>
<i>MCH AGP - Page B - 8</i>	<i>IDE Connector & Firmware Hub - Page B - 22</i>
<i>MCH Memory - Page B - 9</i>	<i>SIO W83627HF - Page B - 23</i>
<i>MCH Memory Termination - Page B - 10</i>	<i>Serial & Parallel Port - Page B - 24</i>
<i>DDR RIMM - Page B - 11</i>	<i>CODEC - Page B - 25</i>
<i>DVO Chrontel CH7107A - Page B - 12</i>	<i>Amplifiers & Inverter Connector - Page B - 26</i>
<i>LCD Connector - Page B - 13</i>	<i>Power 1 - Page B - 27</i>
<i>CRT & USB - Page B - 14</i>	<i>Power 2 - Page B - 28</i>
<i>ICH5 (Power, LPC, Clock, SMBus) - Page B - 15</i>	<i>Power 3 - Page B - 29</i>

Table B - 1
Schematic Diagram

System Block Diagram

Sheet 1 of 28
Schematic Diagram

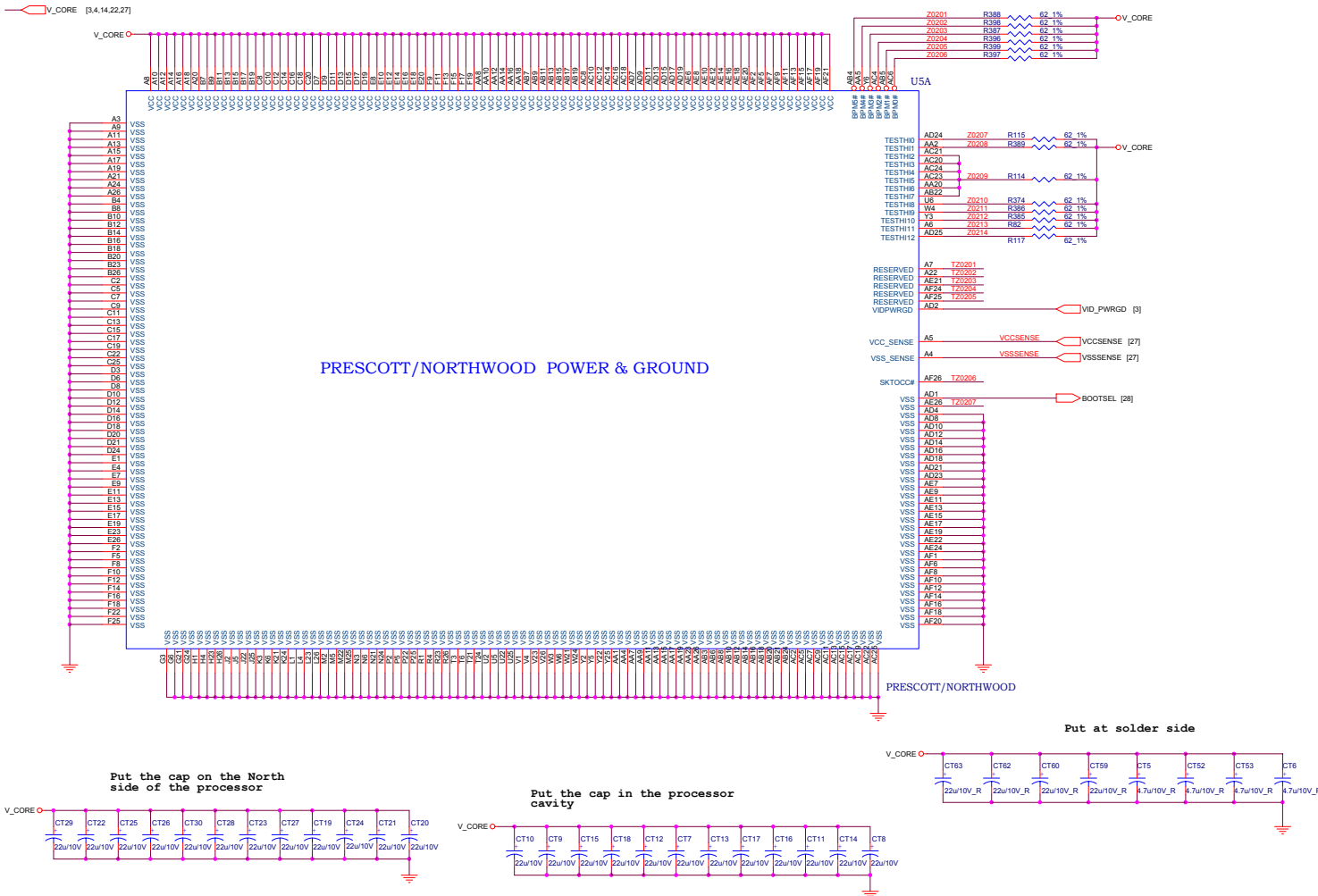
System Block Diagram



B - 2 System Block Diagram (71-P2970-002A)

Northwood - 1 of 2

Sheet 2 of 28
Northwood 1 of 2

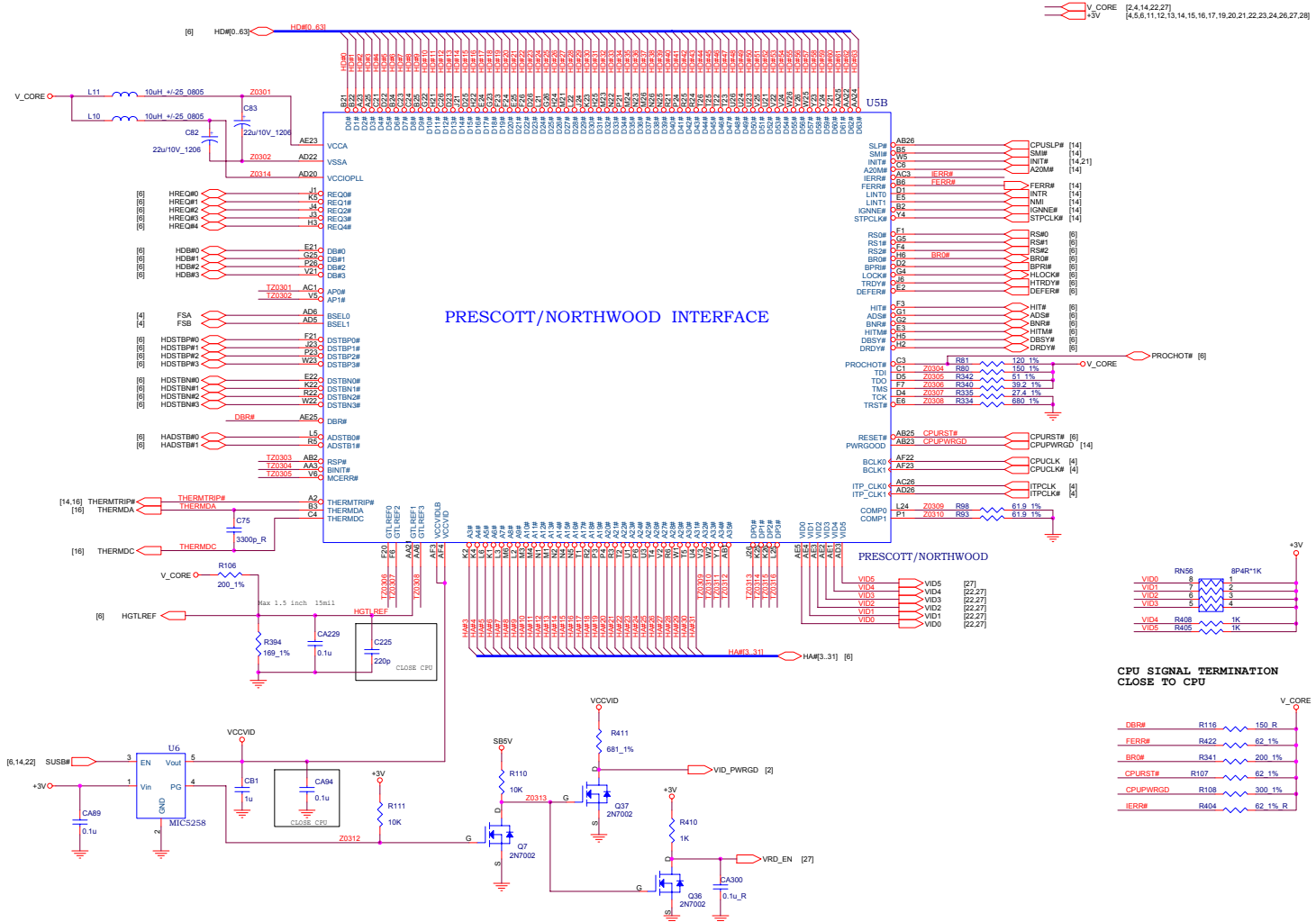


B.Schematic Diagrams

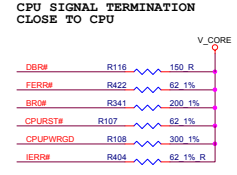
Schematic Diagrams

Northwood - 2 of 2

Sheet 3 of 28
Northwood 2 of 2



B.Schematic Diagrams

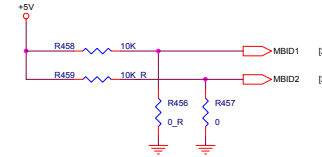


Clock Generator

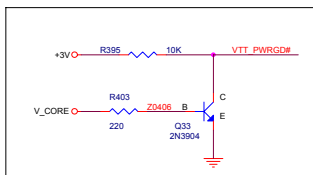
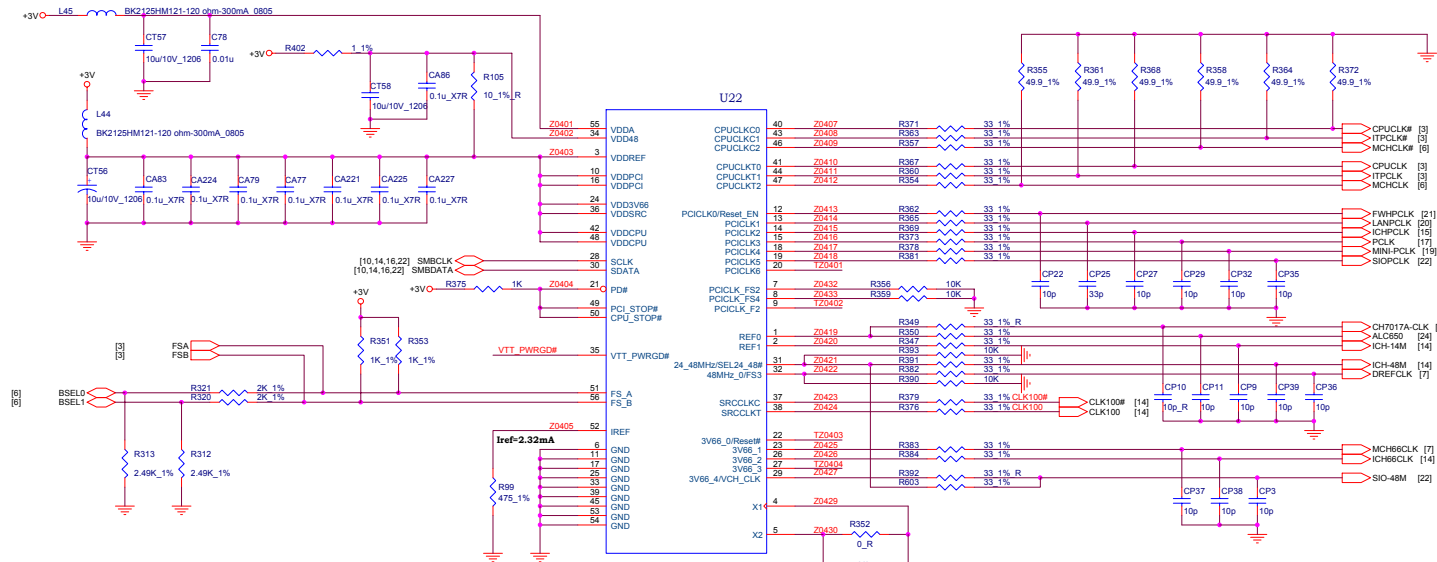
FREQUENCY SETUP TABLE								
(FS4)	(FS3)	(FS2)	(FSA)	(FSB)	CPU (MHz)	SRC (MHz)	AGP (MHz)	PCI (MHz)
0	0	0	0	0	100.00	100/200	66.67	33.33
0	0	0	0	1	200.00	100/200	66.67	33.33
0	0	0	1	0	133.33	100/200	66.67	33.33

1 = HI , 0 = LOW

	MBID1	MBID2		
ID1	1	1	V1.0	V2.0
ID2	1	0	V3.0	
ID3	0	1		
ID4	0	0		



Sheet 4 of 28
Clock Generator



- V_CORE [2,3,14,22,27]
- +3V [3,5,6,11,12,13,14,15,16,17,19,20,21,22,23,24,26,27,28]
- +5V [11,12,13,14,16,17,19,21,22,23,24,25,26,27,28]

B.Schematic Diagrams

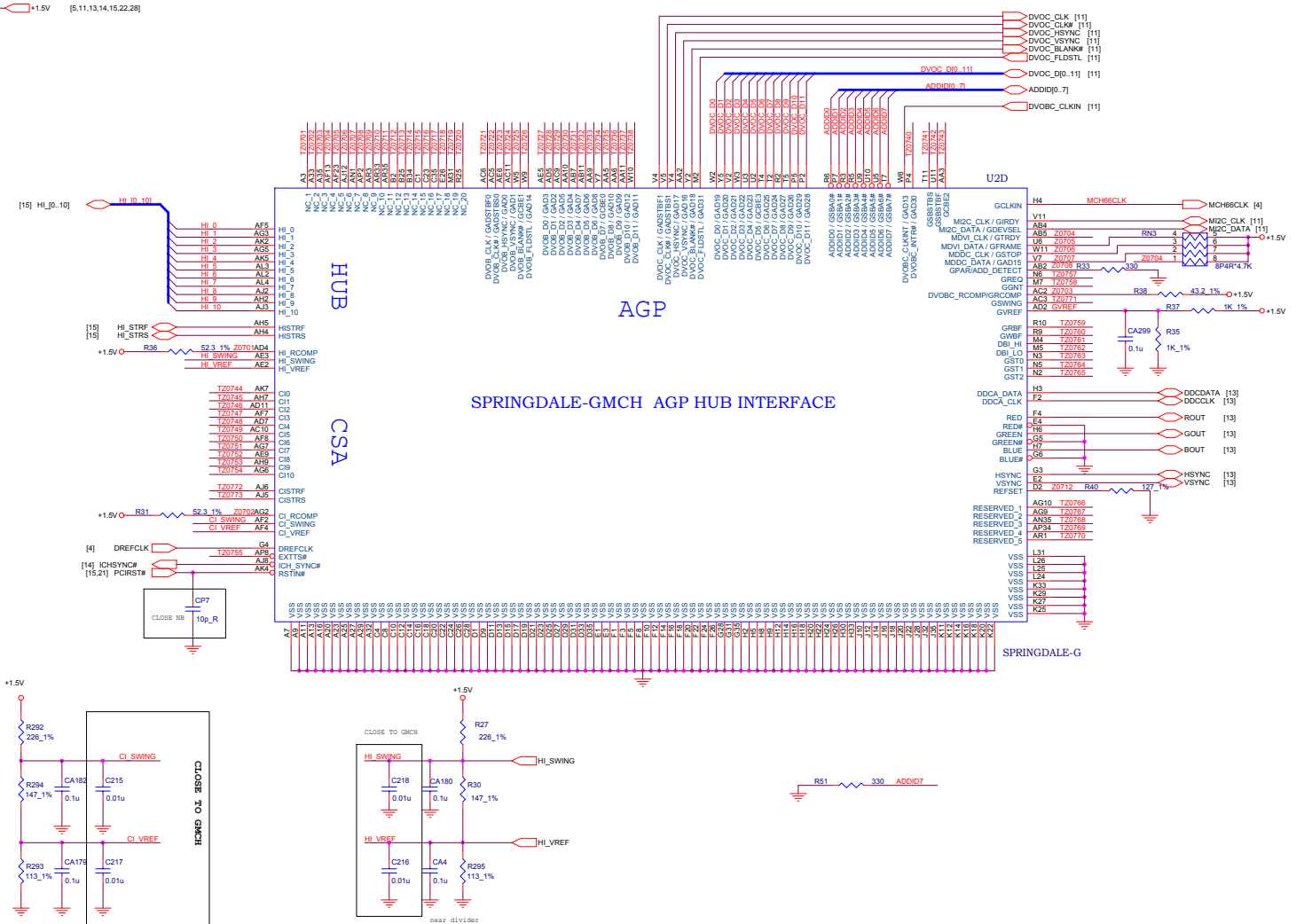
Schematic Diagrams

MCH AGP

Sheet 7 of 28
MCH AGP

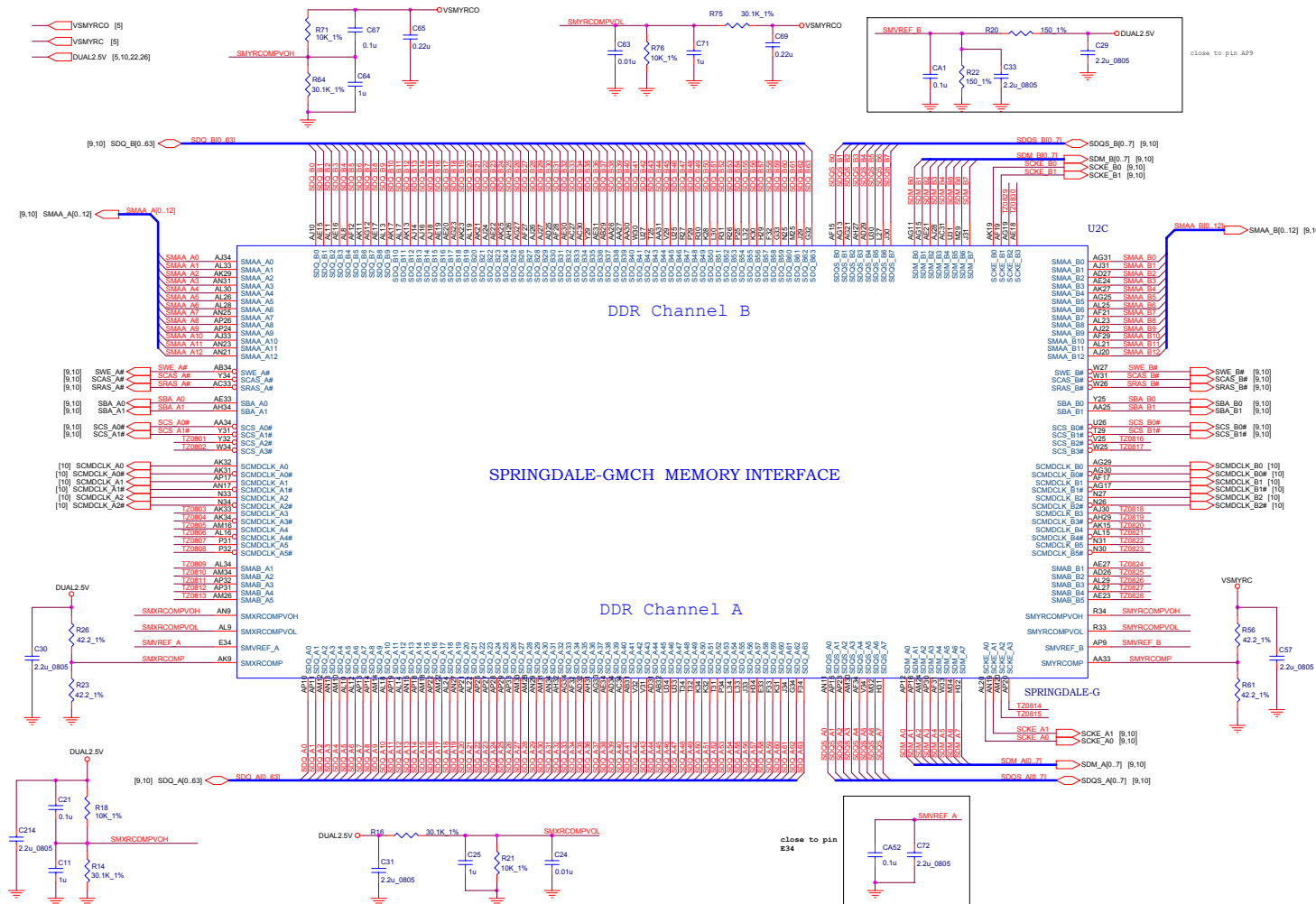
+1.5V [5,11,13,14,15,22,28]

B.Schematic Diagrams



MCH Memory

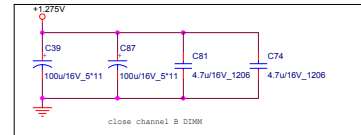
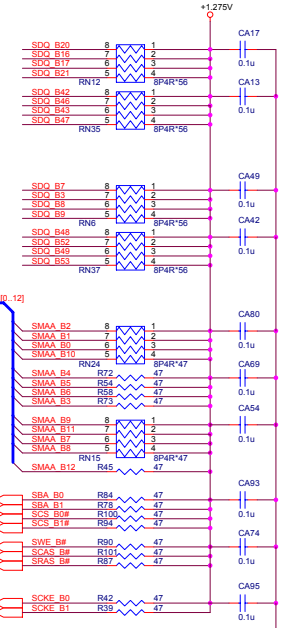
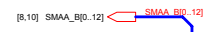
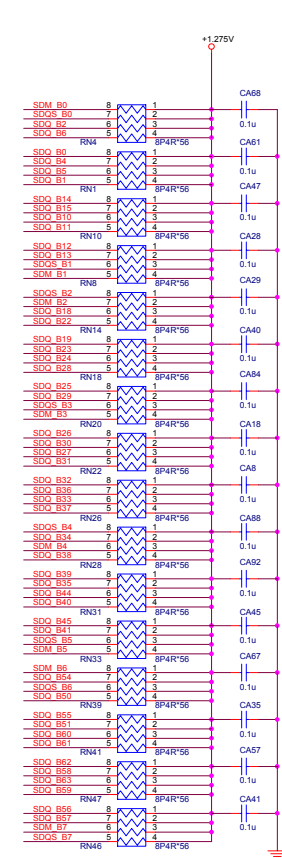
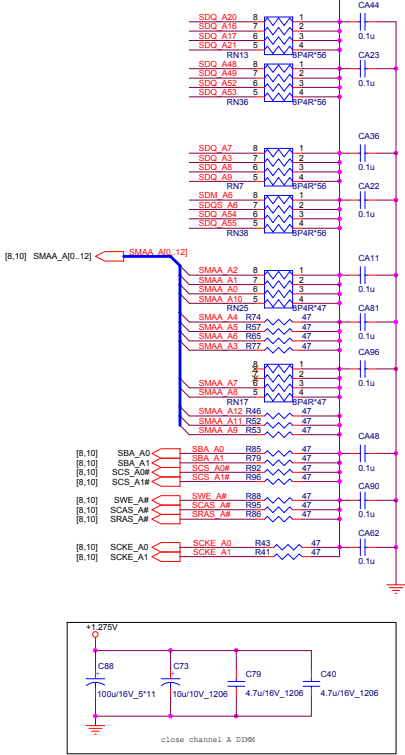
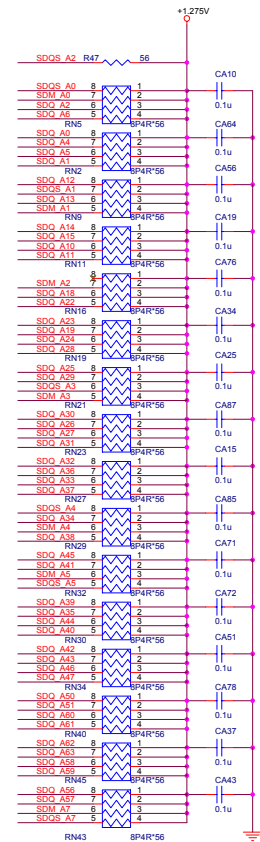
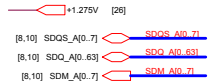
Sheet 8 of 28
MCH Memory



MCH Memory Termination

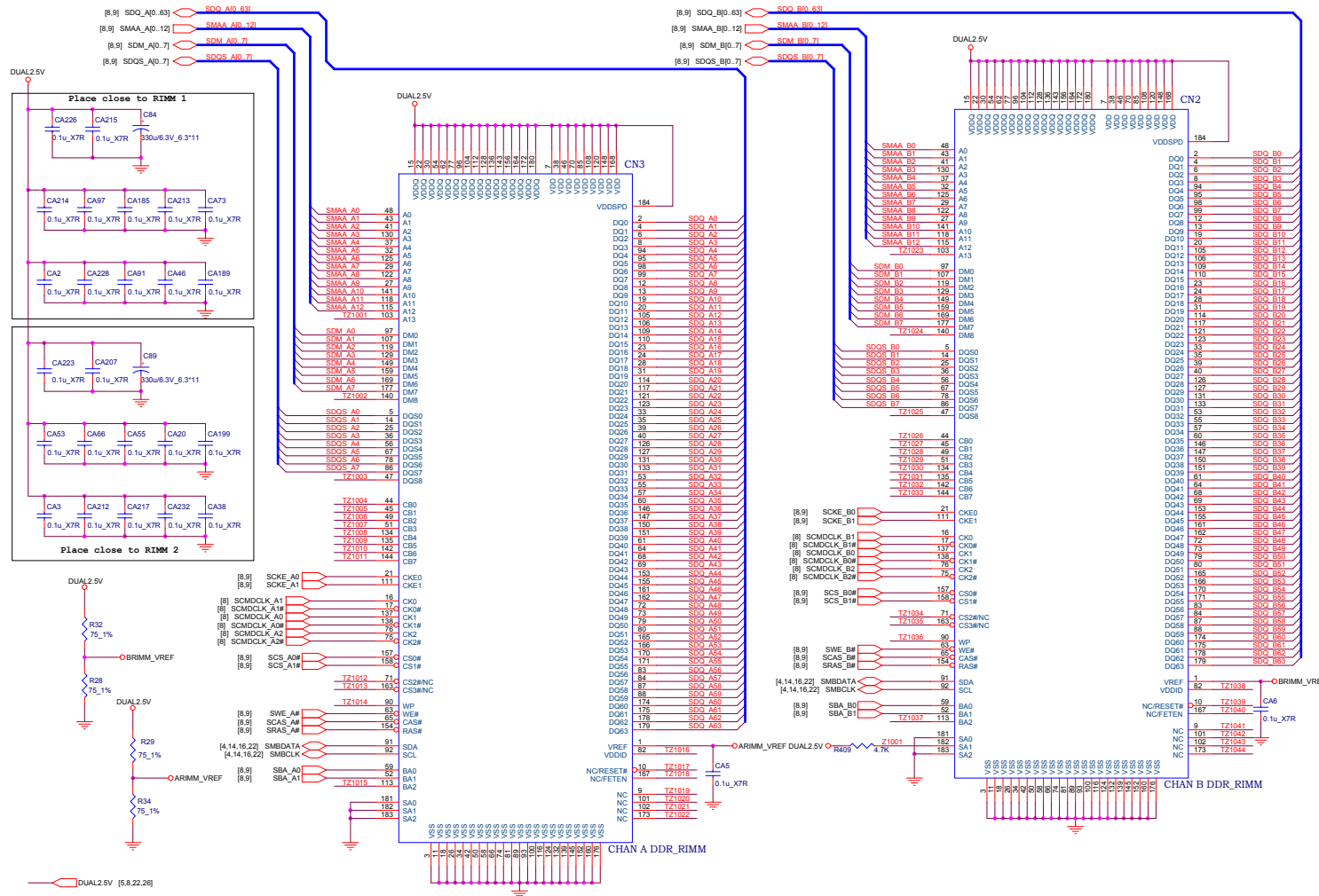
Sheet 9 of 28
MCH Memory Termination

B.Schematic Diagrams



DDR RIMM

Sheet 10 of 28
DDR RIMM

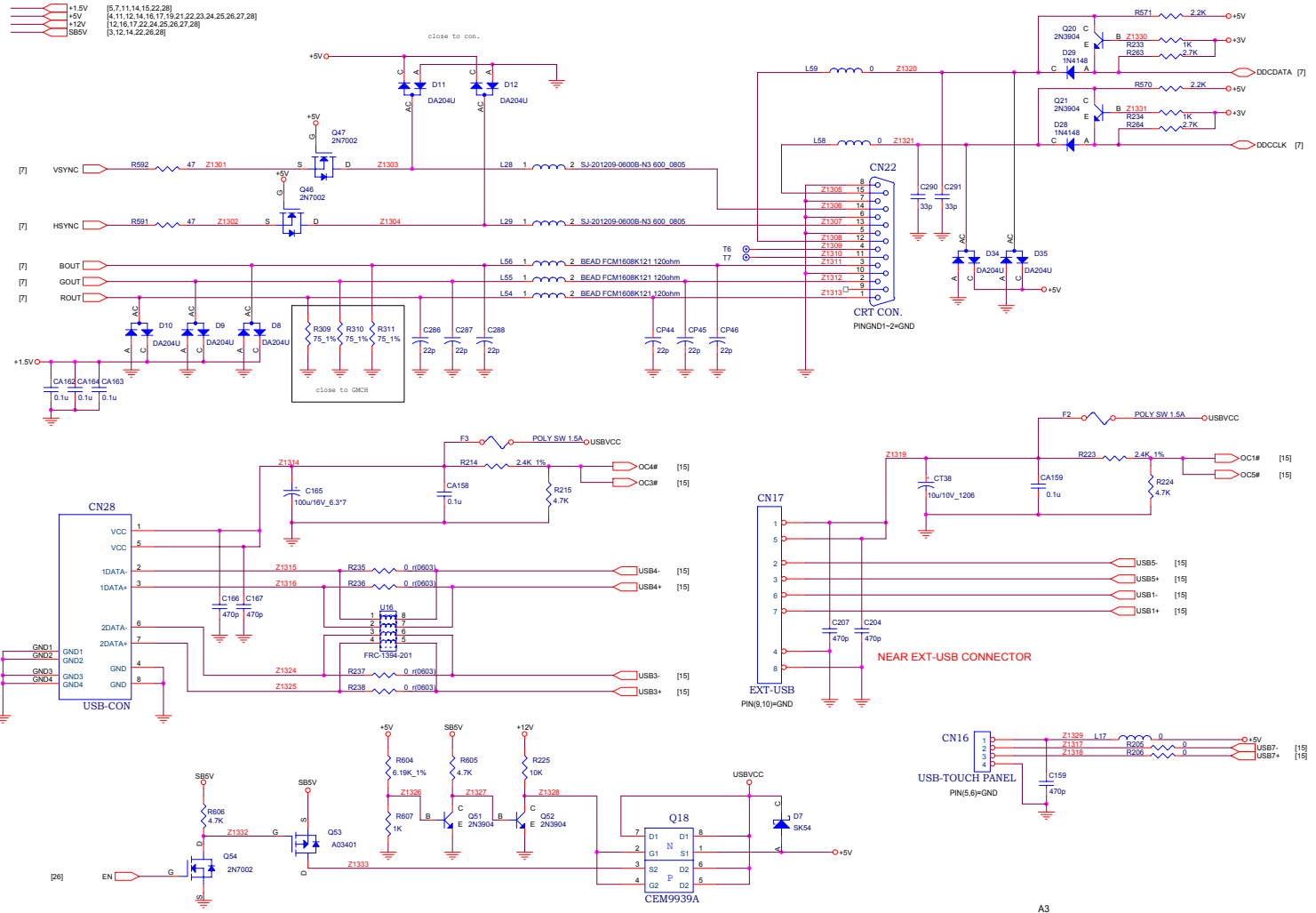


B.Schematic Diagrams

Schematic Diagrams

CRT & USB

Sheet 13 of 28
CRT & USB



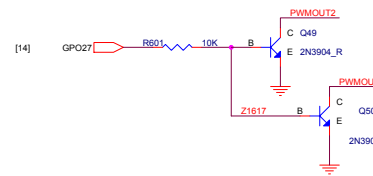
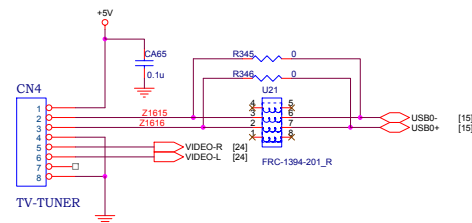
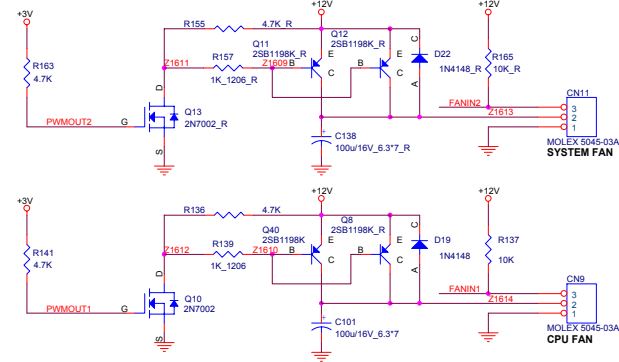
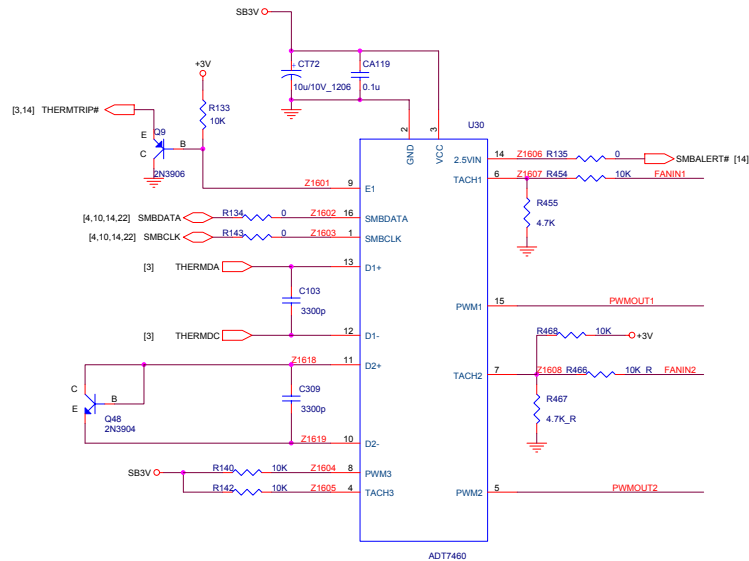
B.Schematic Diagrams

Thermal & Fan Controller

Sheet 16 of 28
Thermal & Fan Controller

B. Schematic Diagrams

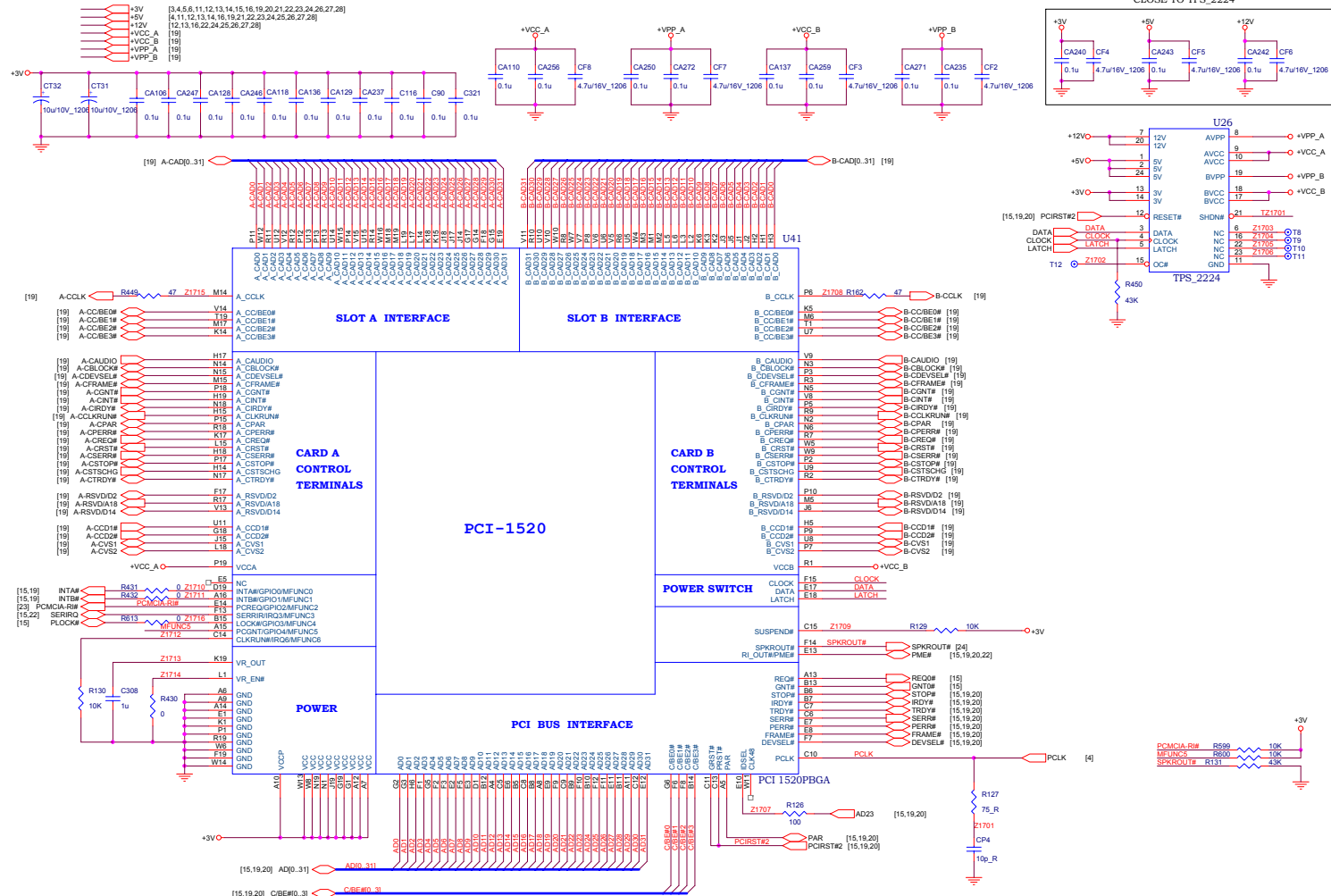
+3V [3,4,5,6,11,12,13,14,15,17,19,20,21,22,23,24,26,27,28]
+5V [4,11,12,13,14,17,19,21,22,23,24,25,26,27,28]
+12V [12,13,17,22,24,25,26,27,28]



Schematic Diagrams

Cardbus PCI1520

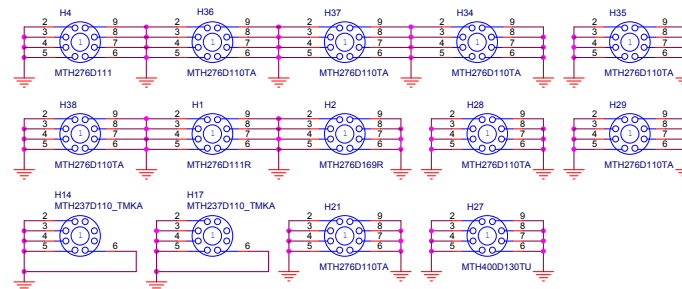
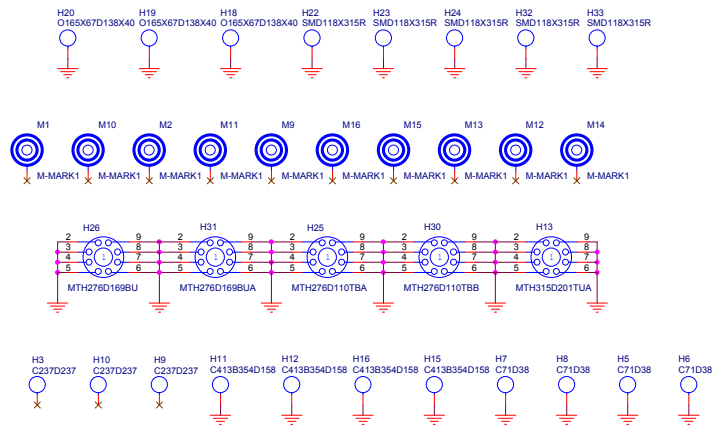
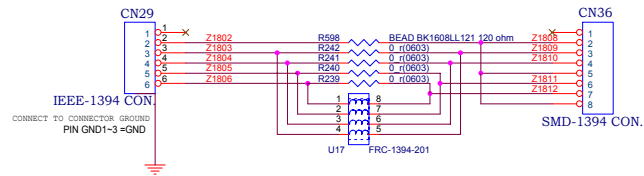
Sheet 17 of 28
Cardbus PCI1520



B.Schematic Diagrams

IEEE 1394

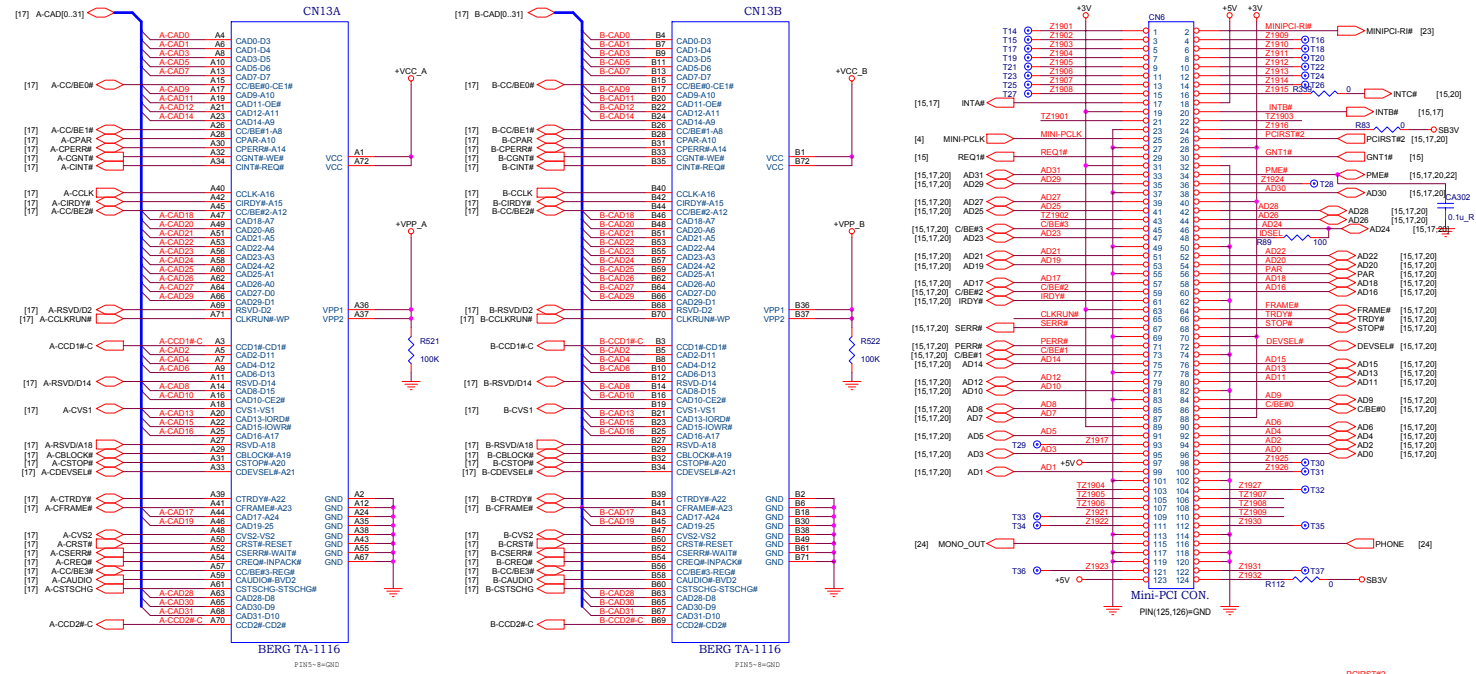
Sheet 18 of 28
IEEE 1394



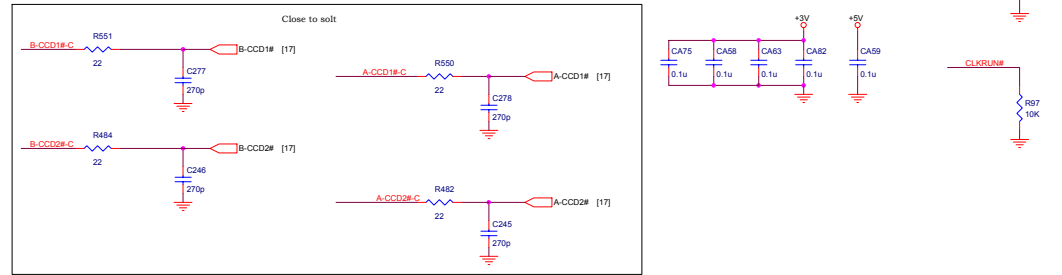
Cardbus Slot & Mini PCI

Sheet 19 of 28
Cardbus Slot &
Mini PCI

B.Schematic Diagrams

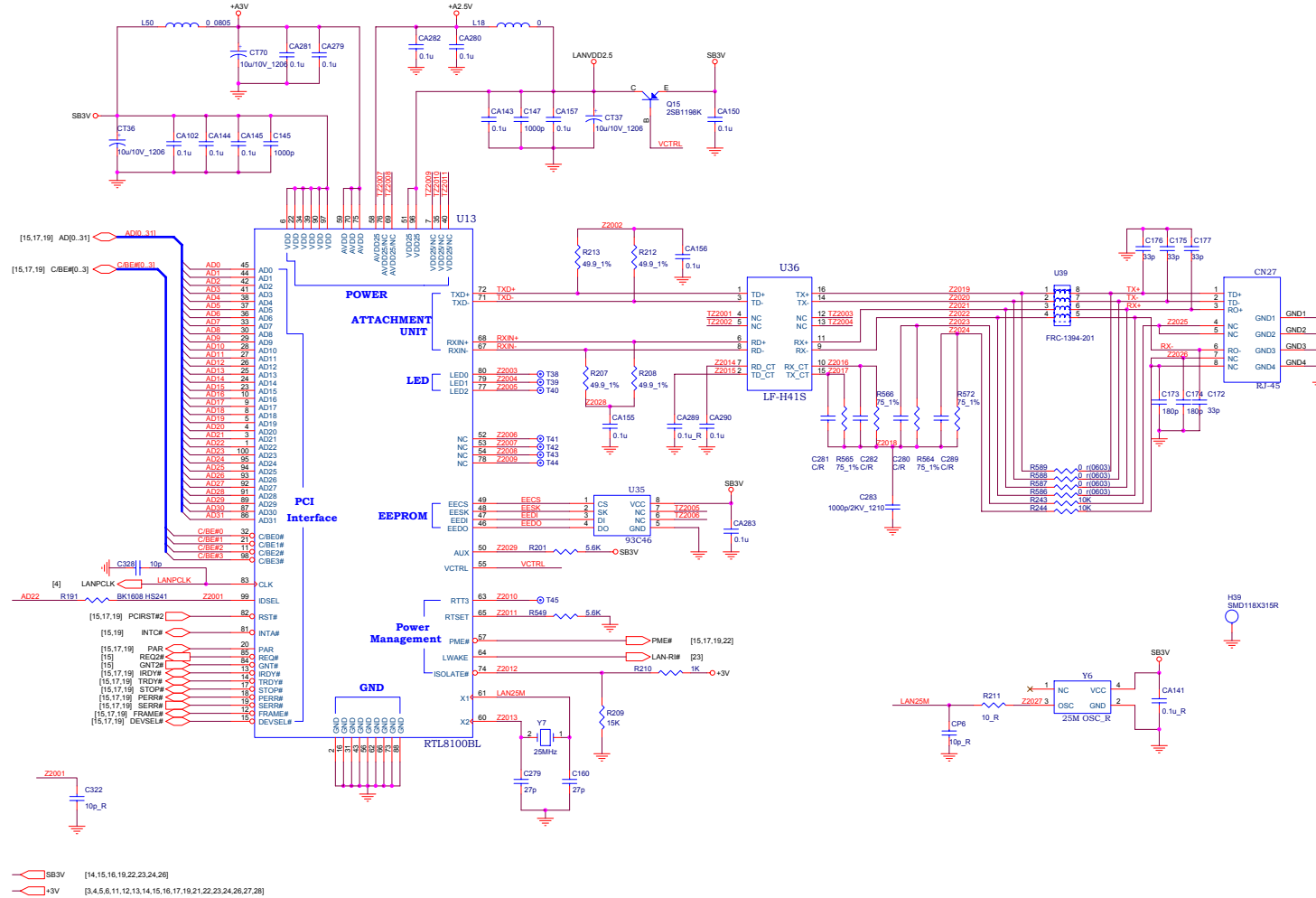


- SB3V [14, 15, 16, 20, 22, 23, 24, 26]
- +3V [3, 4, 5, 6, 11, 12, 13, 14, 15, 16, 17, 20, 21, 22, 23, 24, 26, 27, 28]
- +5V [4, 11, 12, 13, 14, 15, 17, 21, 22, 23, 24, 26, 27, 28]
- +VCC_A [17]
- +VCC_B [17]
- +VPP_A [17]
- +VPP_B [17]



LAN RTL8100BL

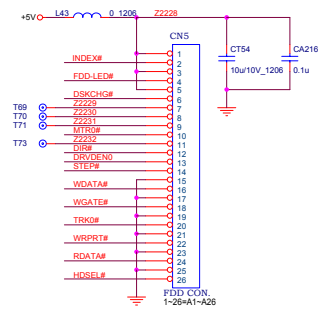
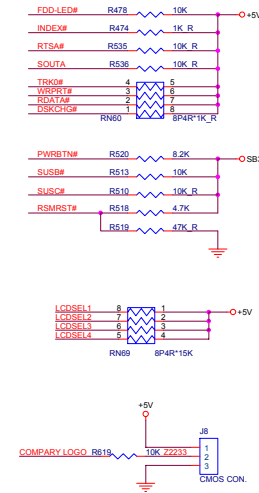
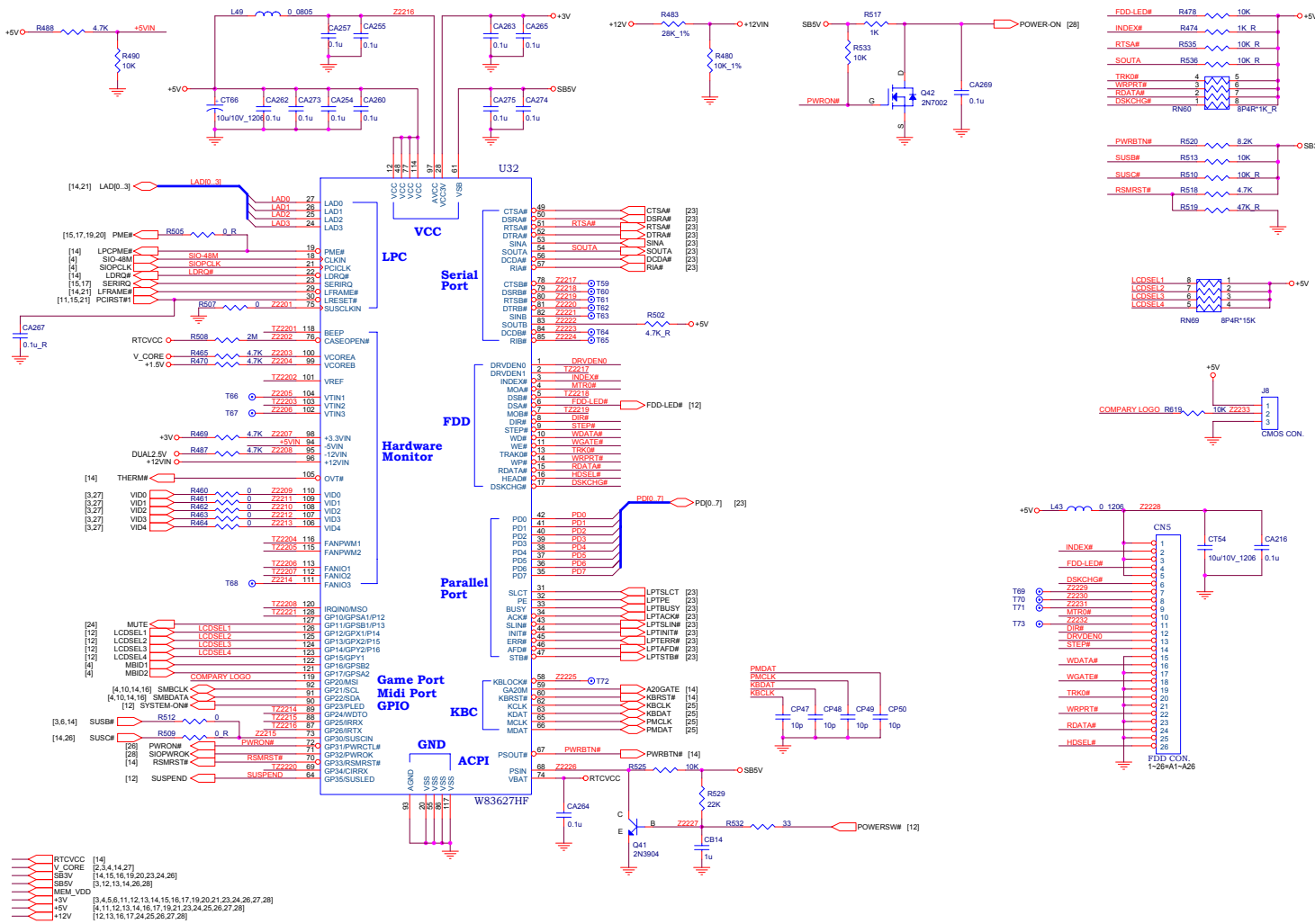
Sheet 20 of 28
LAN RTL8100BL



B.Schematic Diagrams

SIO W83627HF

Sheet 22 of 28
SIO W83627HF



RTCC	[14]
V_CORE	[5, 3, 4, 14, 27]
SB5V	[14, 15, 16, 19, 20, 23, 24, 26]
SB5V	[5, 12, 13, 14, 26, 28]
MEM_VDD	
+5V	[3, 4, 5, 6, 11, 12, 13, 14, 15, 16, 17, 19, 20, 21, 23, 24, 26, 27, 28]
+5V	[4, 11, 12, 13, 14, 16, 17, 19, 21, 23, 24, 25, 26, 27, 28]
+12V	[12, 13, 16, 17, 24, 25, 26, 27, 28]

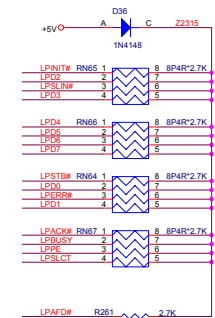
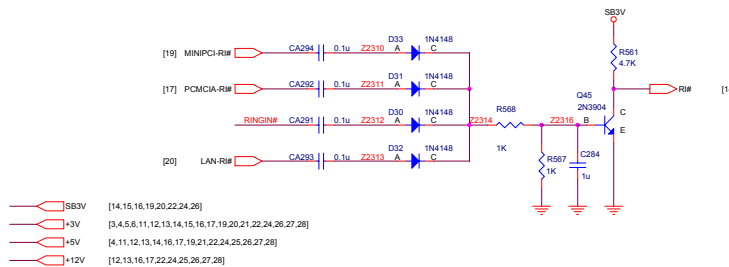
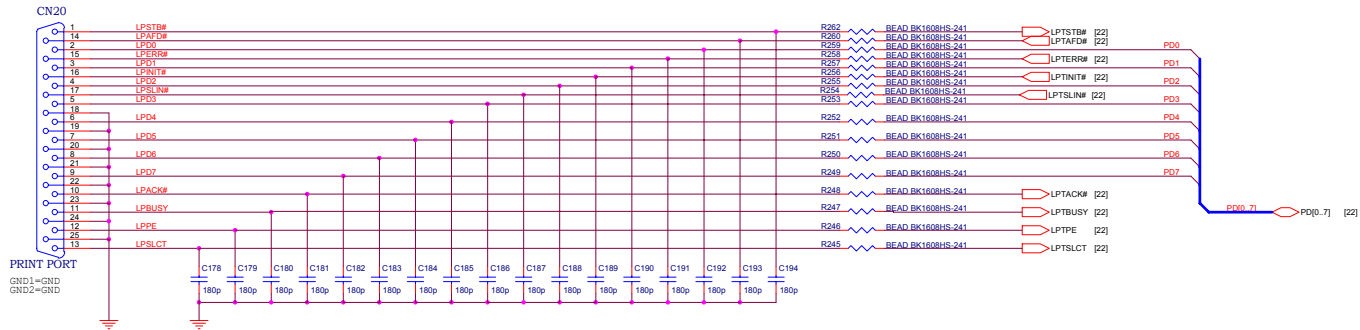
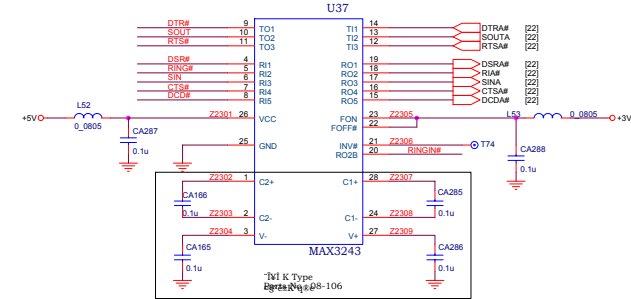
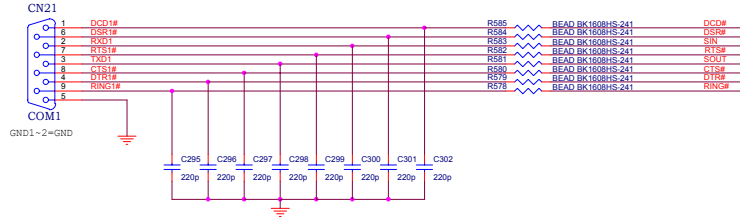
B.Schematic Diagrams

Schematic Diagrams

Serial & Parallel Port

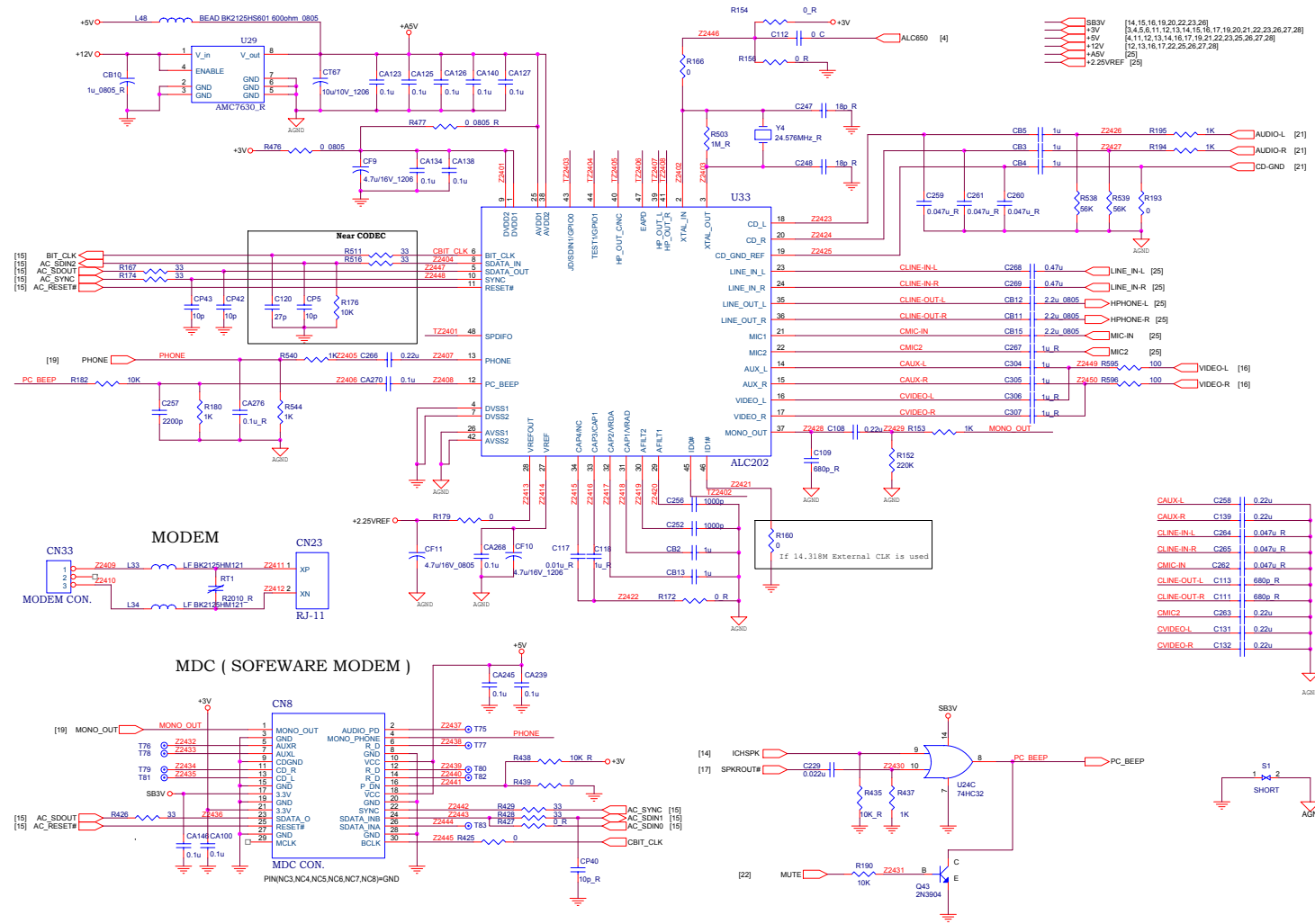
Sheet 23 of 28
Serial & Parallel Port

B.Schematic Diagrams



CODEC

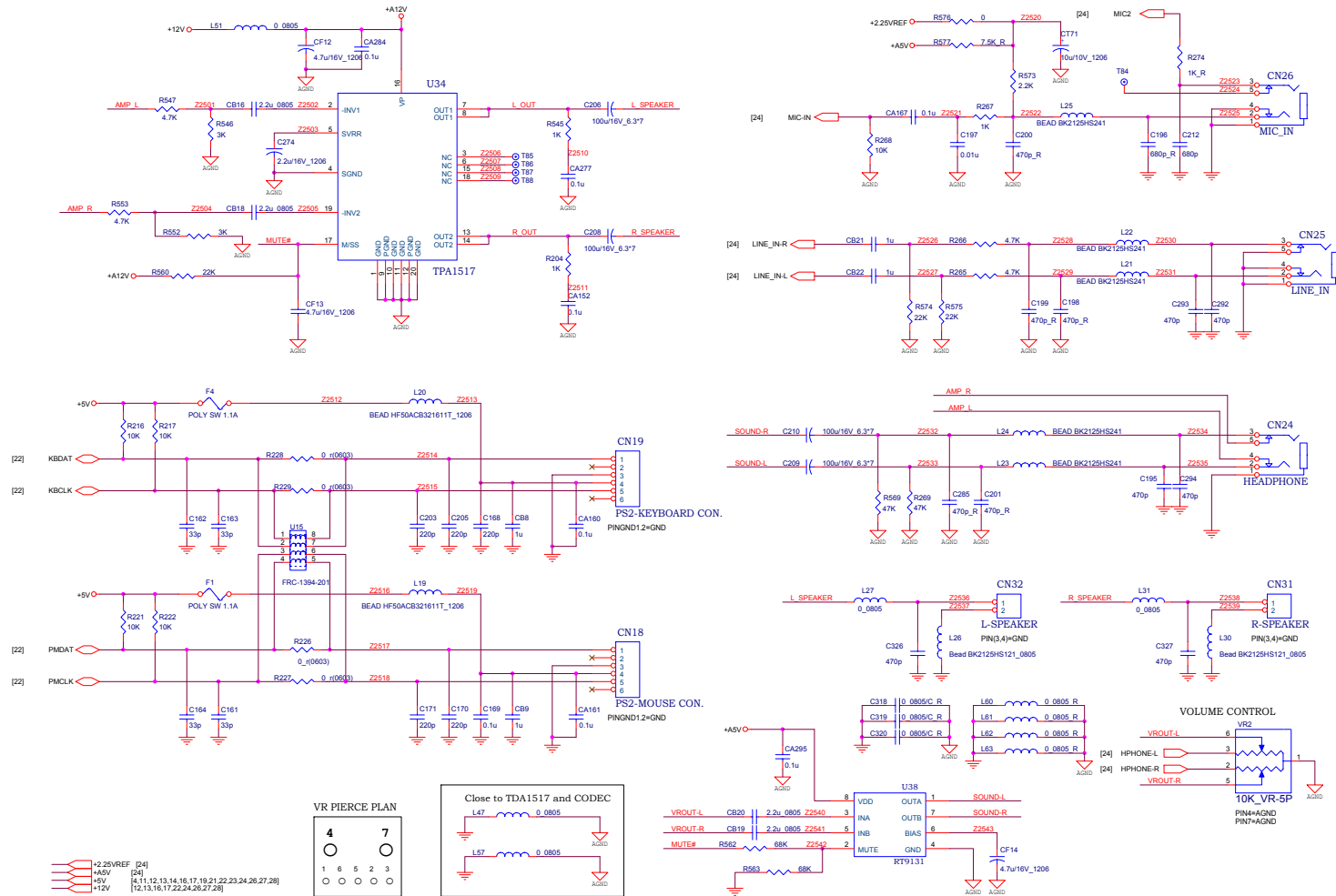
Sheet 24 of 28
CODEC



B.Schematic Diagrams

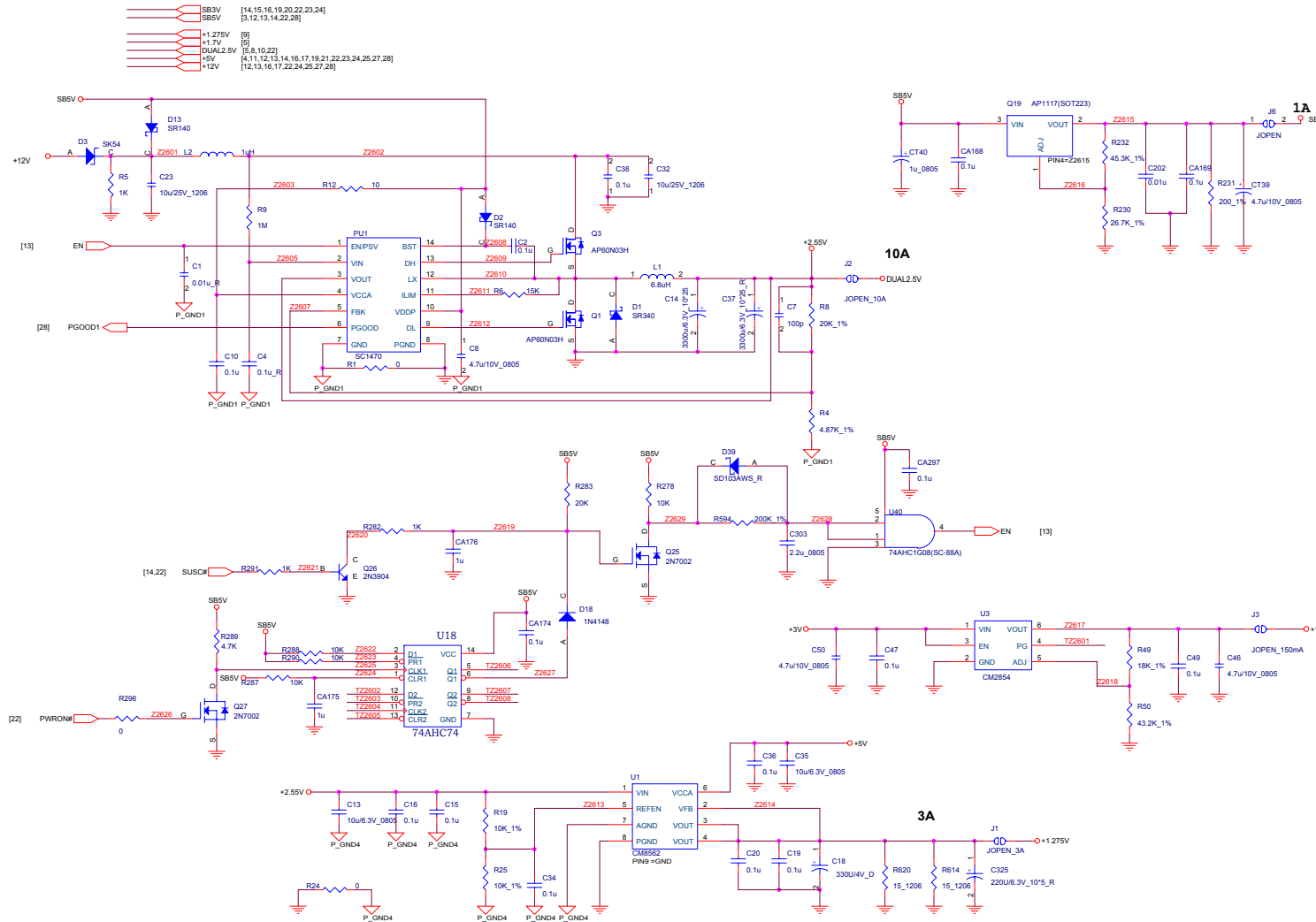
Amplifiers & Inverter Connector

Sheet 25 of 28
Amplifiers & Inverter
Connector



Power 1

Sheet 26 of 28
Power 1

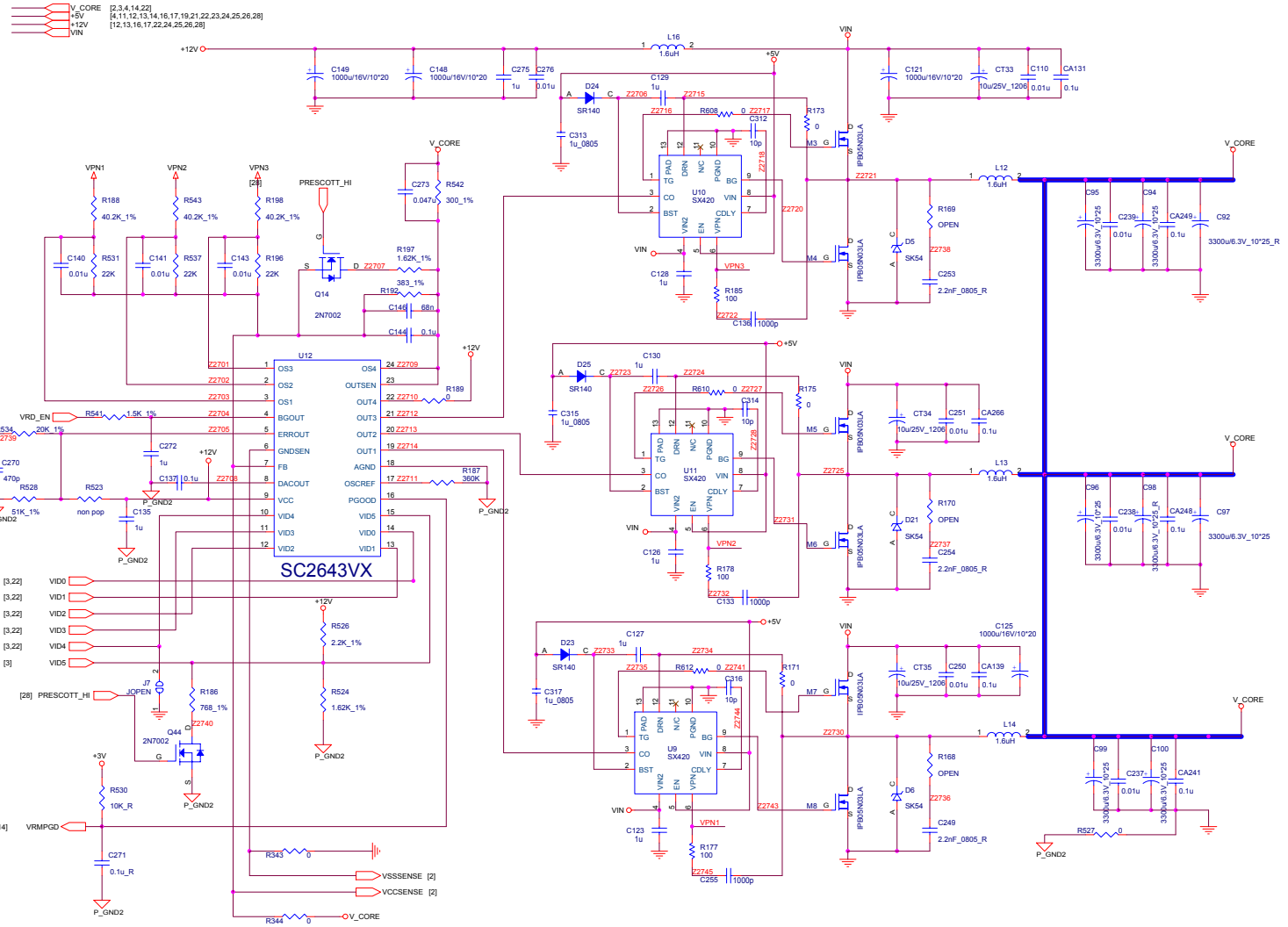


B.Schematic Diagrams

Schematic Diagrams

Power 2

Sheet 27 of 28
Power 2

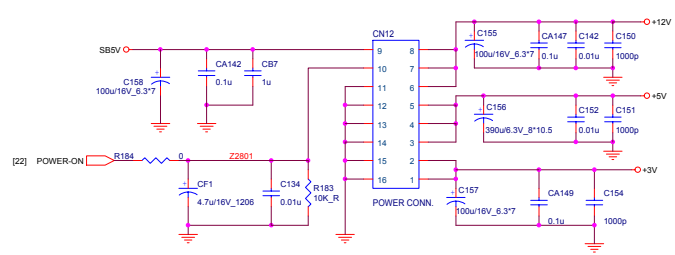
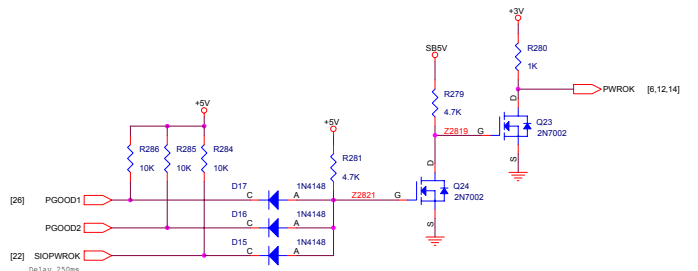
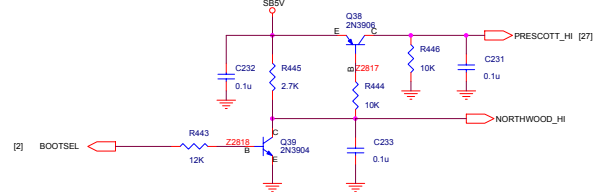
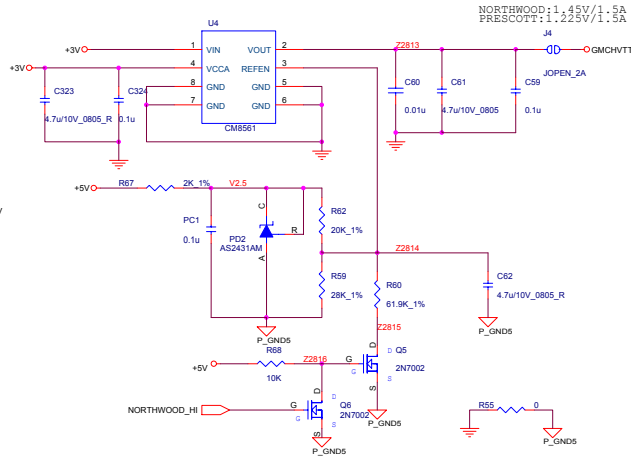
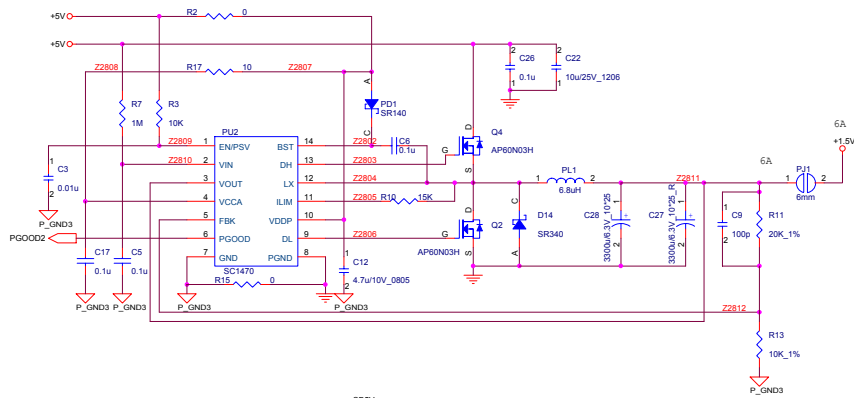


B.Schematic Diagrams

Power 3

Sheet 28 of 28
Power 3

GMCHVTT	[5,6]
+1.5V	[5,7,11,13,14,15,22]
+2.5V	
+3V	[3,4,5,6,11,12,13,14,15,16,17,19,20,21,22,23,24,26,27]
+5V	[4,11,12,13,14,16,17,19,21,22,23,24,26,27]
+12V	[12,13,16,17,22,24,26,27]
SBSV	[3,12,13,14,22,26]



Schematic Diagrams

Appendix C: Clock Ratios

This appendix is about the system's clock ratios.

The table below lists the supported memory clock ratios. AGP, CSA and HI run at 66 MHz common clock and are asynchronous to the chipset core. There is no required skew or ratio between FSB/Chipset and 66MHz system clocks.

System Memory Clock Ratios

Host Clock	DRAM Clock	Ratios	DRAM Data Rate	DRAM Type	Peak Bandwidth
100 MHz	133 MHz	3/4	266 MT/s	DDR-DRAM	2.1 GB/s
133 MHz	133 MHz	1/1	266 MT/s	DDR-DRAM	2.1 GB/s
200 MHz	133 MHz	3/2	266 MT/s	DDR-DRAM	2.1 GB/s
133 MHz	166 MHz	4/5	333 MT/s	DDR-DRAM	2.7 GB/s
200 MHz	160 MHz	5/4	320 MT/s	DDR-DRAM	2.6 GB/s
200 MHz	200 MHz	1/1	400 MT/s	DDR-DRAM	3.2 GB/s

Table C - 1
**System Memory
 Clock Ratios**

Appendix D: Jumper Settings

This appendix is about the system's and jumper settings. The following figure shows the location of the Jumper the system uses. You can access them after you remove the LCD back cover. Be sure to turn OFF the system before you perform any part removal procedure.

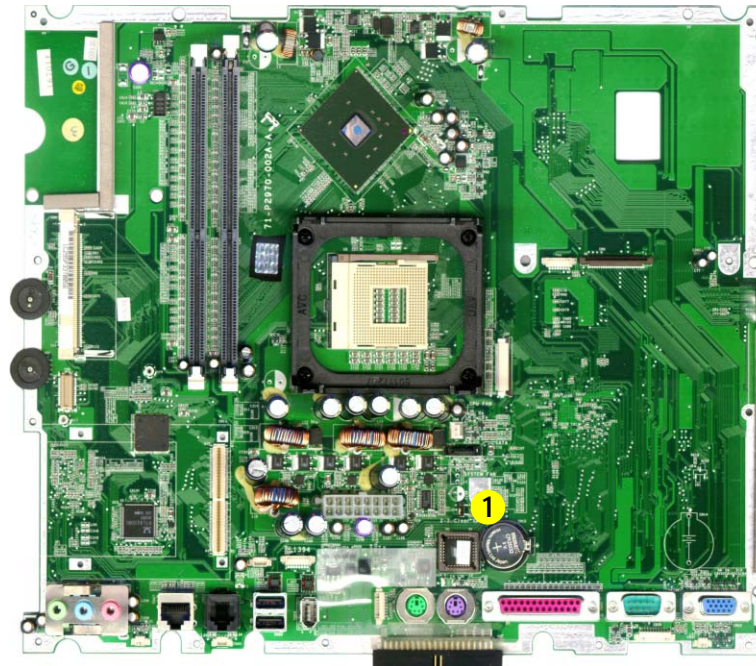


Figure D - 1
Mainboard Jumper Location

1. J5

Clean CMOS Jumper Settings (Jumper J5)

Type	Pins 1 & 2	Pins 2 & 3
Normal (default)	ON	
Clean CMOS		ON

Table D - 1
Jumper Settings

Jumper settings
