

Premiere/PCI II Jumpers & Connectors

PLEASE NOTE: This product is no longer being manufactured by Intel. THIS DOCUMENT IS PROVIDED FOR HISTORICAL REFERENCE PURPOSES ONLY.

Information in this document is provided in connection with Intel products. No license, express or implied, by estoppel or otherwise, to any intellectual property rights is granted by this document. Except as provided in Intel's Terms and Conditions of Sale for such products, Intel assumes no liability whatsoever, and Intel disclaims any express or implied warranty, relating to sale and/or use of Intel products including liability or warranties relating to fitness for a particular purpose, merchantability, or infringement of any patent, copyright or other intellectual property right. Intel products are not intended for use in medical, life saving, or life sustaining applications. Intel may make changes to specifications and product descriptions at any time, without notice.

Copyright © Intel Corporation 1994. Third-party brands and names are the property of their respective owners.

Jumpers

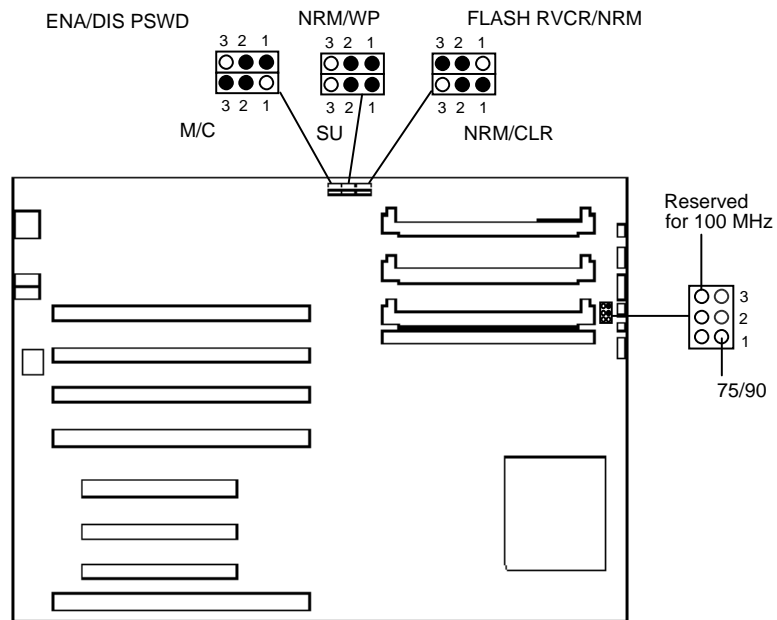


Figure B-1. Jumper locations and settings (● denotes default settings)

75/90 (CPU SPEED) – J1H3

Sets the processor's internal operating frequency at 75 MHz (1-2) or 90 MHz (2-3). The other half of the jumper set (J1H4) is used only for operation with a 100 MHz processor.

RESERVED FOR 100 MHZ (CPU SPEED) – J1H4

Used only for operation with a 100 MHz processor (1-2, with no jumper installed on J1H3). Note that this jumper should only be set on a board equipped for 100 Mhz Pentium processor support.

FLASH RECOVERY (FLASH RCVR/NRM) – J6J2

Allows recovery if the system Flash update process results in corrupted EPROM. 2-3 is normal mode, 1-2 is Flash recovery mode. Default is normal mode (2-3). See Appendix I – BIOS Recovery for more information.

CLEAR CMOS (NRM/CLR) – J6J1

Allows CMOS settings to be reset to default values. 1-2 keeps the current CMOS settings, 2-3 clears the CMOS settings to default values. Default is to keep the current settings (1-2).

SETUP ENABLE (SU) – J7J1

Controls access to CMOS Setup Utility. 1-2 allows user access to Setup, 2-3 prevents user access to Setup. Default is allow user access (1-2).

FLASH WRITE PROTECT (NRM/WP) – J7J2

Allows reprogramming of Flash EPROM to be disabled. 1-2 allows Flash updates, 2-3 enables Flash write protect. Default is to allow Flash updates (1-2).

COLOR/MONO (M/C) – J7J3

Chooses monochrome or color video mode at boot. 1-2 selects monochrome, 2-3 selects color. Default is color (2-3).

PASSWORD CLEAR (ENA/DIS PSWD) – J7J4

Clears the system password when set to 2-3. Default is disabled (1-2).

Connectors

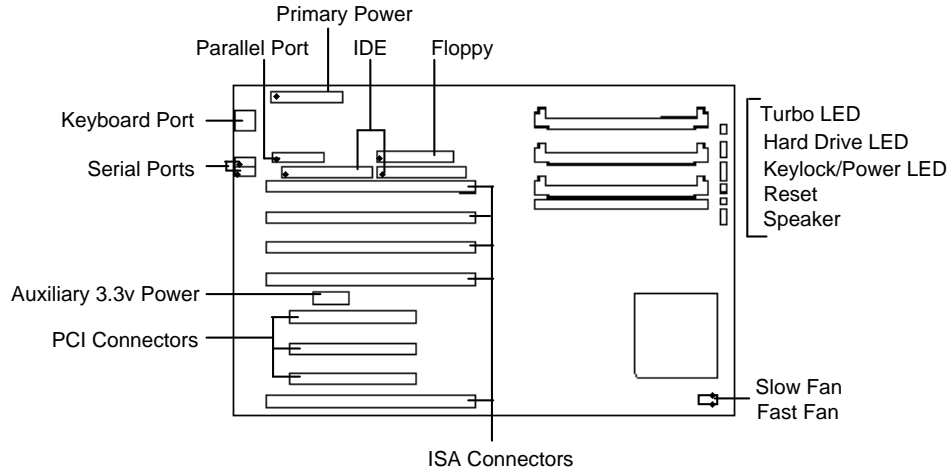


Figure C-1. Premiere/PCI II connectors (♦ indicates Pin 1 location)

PARALLEL PORT

Signal Name	Pin	Pin	Signal Name
STROBE-	1	2	AUTO FEED-
Data Bit 0	3	4	ERROR-
Data Bit 1	5	6	INIT-
Data Bit 2	7	8	SLCT IN-
Data Bit 3	9	10	Ground
Data Bit 4	11	12	Ground
Data Bit 5	13	14	Ground
Data Bit 6	15	16	Ground
Data Bit 7	17	18	Ground
ACJ-	19	20	Ground
BUSY	21	22	Ground
PE (Paper End)	23	24	Ground
SLCT	25	26	N.C.

IDE CONNECTORS

Signal Name	Pin	Pin	Signal Name
Reset IDE	1	2	Ground
Host Data 7	3	4	Host Data 8
Host Data 6	5	6	Host Data 9
Host Data 5	7	8	Host Data 10
Host Data 4	9	10	Host Data 11
Host Data 3	11	12	Host Data 12
Host Data 2	13	14	Host Data 13
Host Data 1	15	16	Host Data 14
Host Data 0	17	18	Host Data 15
Ground	19	20	Key
DRQ3	21	22	Ground
I/O Write-	23	24	Ground
I/O Read-	25	26	Ground
IOCHRDY	27	28	BALE
DACK3-	29	30	Ground
IRQ14	31	32	IOCS16-
Addr 1	33	34	Ground
Addr 0	35	36	Addr 2
Chip Select 0-	37	38	Chip Select 1-
Activity	39	40	Ground

PRIMARY POWER

Pin	Name	Function
1	PWRGD	Power Good
2	+5 V	+ 5 volts Vcc
3	+12 V	+ 12 volts
4	-12 V	- 12 volts
5	GND	Ground
6	GND	Ground
7	GND	Ground
8	GND	Ground
9	-5 V	-5 volts
10	+5 V	+ 5 volts Vcc
11	+5 V	+ 5 volts Vcc
12	+5 V	+ 5 volts Vcc

FLOPPY CONNECTOR

Signal Name	Pin	Pin	Signal Name
Ground	1	2	FDHDIN
Ground	3	4	Reserved
Key	5	6	FDEDIN
Ground	7	8	Index-
Ground	9	10	Motor Enable A-
Ground	11	12	Drive Select B-
Ground	13	14	Drive Select A-
Ground	15	16	Motor Enable B-
Ground	17	18	DIR-
Ground	19	20	STEP-
Ground	21	22	Write Data-
Ground	23	24	Write Gate-
Ground	25	26	Track 00-
Ground	27	28	Write Protect-
Ground	29	30	Read Data-
Ground	31	32	Side 1 Select-
Ground	33	34	Diskette Change-

TURBO LED

Pin	Signal Name
1	PULL_UP_330
2	LED_TURBO-

HARD DRIVE LED (DISK)

Pin	Signal Name
1	PULL_UP_330
2	HD ACTIVE-
3	Key
4	PULL_UP_330

KEY LOCK/POWER LED

Pin	Signal Name
1	LED_PWR
2	Key
3	Ground
4	KEY LOCK
5	Ground

RESET CONNECTOR

Pin	Signal Name
1	RESET
2	Ground

SPEAKER CONNECTOR

Pin	Signal Name
1	SPKR_DAT
2	Key
3	No Connect
4	+5V Vcc

ISA CONNECTORS

Signal Name	Pin	Pin	Signal Name
GND	B1	A1	IOCHK-
RSTDRV	B2	A2	SD7
Vcc	B3	A3	SD6
IRQ9	B4	A4	SD5
-5V	B5	A5	SD4
DRQ2	B6	A6	SD3
-12V	B7	A7	SD2
0WS-	B8	A8	SD1
+12V	B9	A9	SD0
GND	B10	A10	IOCHRDY
SMEMW-	B11	A11	AEN
SMEMR-	B12	A12	SA19
IOW-	B13	A13	SA18
IOR-	B14	A14	SA17
DACK3-	B15	A15	SA16
DRQ3	B16	A16	SA15
DACK1-	B17	A17	SA14
DRQ1	B18	A18	SA13
REFRESH-	B19	A19	SA12
SYSCLK	B20	A20	SA11
IRQ7	B21	A21	SA10
IRQ6	B22	A22	SA9
IRQ5	B23	A23	SA8
IRQ4	B24	A24	SA7
IRQ3	B25	A25	SA6
DACK2-	B26	A26	SA5
TC	B27	A27	SA4
BALE	B28	A28	SA3
Vcc	B29	A29	SA2
OSC	B30	A30	SA1
GND	B31	A31	SA0
	KEY	KEY	
MEMCS16-	D1	C1	SBHE-
IOCS16-	D2	C2	LA23
IRQ10	D3	C3	LA22
IRQ11	D4	C4	LA21
IRQ12	D5	C5	LA20
IRQ15	D6	C6	LA19
IRQ14	D7	C7	LA18
DACK0-	D8	C8	LA17
DRQ0	D9	C9	MEMR-
DACK5-	D10	C10	MEMW-
DRQ5	D11	C11	SD8
DACK6-	D12	C12	SD9
DRQ6	D13	C13	SD10
DACK7-	D14	C14	SD11
DRQ7	D15	C15	SD12
Vcc	D16	C16	SD13
Master-	D17	C17	SD14
GND	D18	C18	SD15

PCI CONNECTORS

Signal Name	Pin	Pin	Signal Name
GND	A1	B1	-12V
+12V	A2	B2	No Connect
No Connect	A3	B3	GND
No Connect	A4	B4	No Connect
Vcc	A5	B5	Vcc
PCIINT3-	A6	B6	Vcc
PCIINT1-	A7	B7	PCIINT2-
Vcc	A8	B8	PCIINT4-
Reserved	A9	B9	No Connect
Vcc	A10	B10	Reserved
Reserved	A11	B11	No Connect
GND	A12	B12	GND
GND	A13	B13	GND
Reserved	A14	B14	Reserved
SPCIRST-	A15	B15	GND
Vcc	A16	B16	PCLK
AGNT-	A17	B17	GND
GND	A18	B18	REQA-
Reserved	A19	B19	Vcc
AD30	A20	B20	AD31
3.3V	A21	B21	AD29
AD28	A22	B22	GND
AD26	A23	B23	AD27
GND	A24	B24	AD25
AD24	A25	B25	3.3V
AD22 (IDSEL)	A26	B26	CBE3-
3.3V	A27	B27	AD23
AD22	A28	B28	GND
AD20	A29	B29	AD21
GND	A30	B30	AD19
AD18	A31	B31	3.3V

Signal Name	Pin	Pin	Signal Name
AD16	A32	B32	AD17
3.3V	A33	B33	CBE2-
FRAME-	A34	B34	GND
GND	A35	B35	IRDY-
TRDY-	A36	B36	3.3V
GND	A37	B37	DEVSEL-
STOP-	A38	B38	GND
3.3V	A39	B39	PLOCK-
SDONE	A40	B40	PERR-
SBO-	A41	B41	3.3V
GND	A42	B42	SERR-
PAR	A43	B43	3.3V
AD15	A44	B44	CBE1-
3.3V	A45	B45	AD14
AD13	A46	B46	GND
AD11	A47	B47	AD12
GND	A48	B48	AD10
AD9	A49	B49	GND
KEY	A50	B50	KEY
KEY	A51	B51	KEY
CBEO-	A52	B52	AD8
3.3V	A53	B53	AD7
AD6	A54	B54	3.3V
AD4	A55	B55	AD5
GND	A56	B56	AD3
AD2	A57	B57	GND
AD0	A58	B58	AD1
Vcc	A59	B59	Vcc
SREQ64-	A60	B60	SACK64-
Vcc	A61	B61	Vcc
Vcc	A62	B62	Vcc

AUXILIARY (3.3V) POWER

Pin	Name	Function
1	GND	Ground
2	GND	Ground
3	GND	Ground
4	+3.3 V	+ 3.3 volts
5	+3.3V	+ 3.3 volts
6	+3.3 V	+ 3.3 volts

AT STYLE KEYBOARD PORT

Pin	Signal Name
1	Clock
2	Data
3	No Connect
4	Ground
5	Vcc (fused)

SERIAL PORTS

Pin	Signal Name
1	DCD
2	DSR
3	Serial In - (SIN)
4	RTS
5	Serial Out - (SOUT)
6	CTS
7	DTR
8	RI
9	GND
10	N.C.

SLOW FAN/ FAST FAN POWER

Pin	Slow Fan - J1A2	Fast Fan - J1A1
1	Ground	Ground
2	125 mA max.	400 mA max.
3	Ground	Ground