

---

## EC Declaration of Conformity

We

**Iwill Corp.**

**No. 10, Wu Chuan 3rd Rd.,**

**Hsin Chuang City, Taipei,**

**Taiwan, R.O.C.**

Declare under sole responsibility that the

**DBL100 motherboard**

Meets the intent of Directive 89/336/ECC for Electromagnetic Compatibility. Compliance was demonstrated to the following specifications as listed in the official Journal of the European Communities:

**EN 50081-1 Emissions:**

**EN 55022 Radiated, Class B**

**EN 55022 Conducted, Class B**

**EN 60555-2 Power Harmonics**

**EN 50082-1 Immunity:**

**IEC 801-2 Electrostatic Discharge**

**IEC 801-3 RF Radiate**

**IEC 801-4 Fast Transient**

---

## **About This Manual**

This manual will introduce to the user how this product is consisted. All useful information will be described in later chapters. Keep this manual for your future upgrade or system re-configuration.

### **Chapter 0 Overview**

The features and specifications of this motherboard

### **Chapter 1 Quick Installation**

The quick reference for experienced users

### **Chapter 2 Hardware Installation**

The detailed information on jumper setting, connection, and hardware installation

### **Chapter 3 System BIOS Setup**

The detail information of the system BIOS setup options

### **Chapter 4 SCSI BIOS Setup**

The detail information of the SCSI BIOS setup options

### **Chapter 5 Software and Tools**

The detail information of the Software and Tools

## **Copyright**

This manual contains information protected by copyright law. All rights are reserved. No any part of this document may be used or reproduced in any forms or by any means, or stored in a database or retrieval system without prior written permission from Iwill Corp.

This manual is subject to change without notice. (PMDBL1H12AE)

## **Trademark**

Intel / Pentium are trademarks of Intel Corporation.

IWILL and IWILL logo are trademarks of IWILL Corp.

Sound Blaster is a registered trademark of Creative Technology Ltd.

Sound Blaster-LINK and SB-LINK are trademarks of Creative Technology Ltd.

And all other product names are trademarks and registered trademarks of their respective owners.

## **Warning**

Most of the features of this product have passed strict verification and are subject to change at any time without notice. If any malfunction occurs due to the future technical changes made by the respective component manufacturers, Iwill assumes no responsibility or liability for it.

---

# Content

<b>CHAPTER 0.....</b>	<b>5</b>
<b>OVERVIEW .....</b>	<b>5</b>
0.1 FEATURES .....	5
0.2 ENVIRONMENT REQUIREMENTS.....	7
0.3 MOTHERBOARD COMPONENTS PLACEMENT.....	8
0.4 BACK PANEL CONNECTORS.....	10
0.5 FORM FACTOR.....	11
<b>CHAPTER 1.....</b>	<b>12</b>
<b>QUICK INSTALLATION .....</b>	<b>12</b>
<b>CHAPTER 2.....</b>	<b>16</b>
<b>HARDWARE INSTALLATION .....</b>	<b>16</b>
2.1 PREPARATION AND INSPECTION .....	16
2.2 UNPACK THE DBL100 .....	16
2.3 INSTALLATION PROCEDURES.....	17
<b>CHAPTER 3.....</b>	<b>27</b>
<b>SYSTEM BIOS SETUP.....</b>	<b>27</b>
3.1 INTRODUCTION.....	27
3.2 MAIN MENU.....	28
3.3 STANDARD CMOS SETUP .....	29
3.4 BIOS FEATURES SETUP .....	32
3.5 CHIPSET FEATURES SETUP .....	36
3.6 POWER MANEGEMENT SETUP .....	39
3.7 PNP/ PCI CONFIGURATION .....	42
3.8 INTEGRATED PERIPHERALS .....	44
3.9 LOAD SETUP DEFAULTS .....	47
3.10 IWILL SMART SETTING.....	47
3.11 SUPERVISOR / USER PASSWORD SETTING.....	48
3.12 IDE HDD AUTODETECTION.....	49

---

3.13 SAVE & EXIT SETUP.....	49
3.14 EXIT WITHOUT SAVING.....	49
<b>CHAPTER 4.....</b>	<b>50</b>
<b>SCSI BIOS SETUP.....</b>	<b>50</b>
4.1 INTRODUCTION.....	50
4.2 CONFIGURE/VIEW HOST ADAPTER SETTINGS .....	50
4.3 SCSI DISK UTILITIES.....	54
<b>CHAPTER 5.....</b>	<b>55</b>
<b>SOFTWARE AND TOOLS.....</b>	<b>55</b>
5.1 SOFTWARE INSTALLATION .....	55
5.2 HOW TO MAKE DRIVER DISKETTE WITHOUT O.S. INSTALLED.....	55
5.3 VIEW DETAILED MANUAL.....	56
5.4 CPU FREQUENCY SELECTION BY BIOS.....	56
5.5 INSTALLING OPERATING SYSTEMS .....	57
5.6 HOW TO USE THE THERMAL SENSOR .....	60
5.7 IWILL SCSI SERIES .....	61

---

# Chapter 0

## Overview

Thank you for purchasing Iwill DBL100 motherboard This operation manual will instruct you how to configure and install the system properly. It contains an overview about the engineering design and features of this product. Also, this manual provides useful information for later on upgrade or configuration change. Keep this for your future need.

### YEAR 2000 issue

The IBM compatible PC utilizes a Motorola MC146818 compatible Real Time Clock (RTC) chip to maintain the date and time. Unfortunately, the "century" is not manipulated by the RTC. It uses 8-bit of information to report the year and can only hold the last two digits of a year in packed BCD format. So 1997 is reported solely as 97. Since the RTC also contains non-volatile memory, IBM specified a location in the memory to hold "century" information. By combining the century data with the year data, software can obtain a full 4-digit year. When the Year 2000 occurs, the RTC reports the year as '00' and the "century" in RTC memory will contain '19.' Combining the full 4-digit year yields 1900, not 2000. Any applications which compares dates, or uses relative dates to perform functions will see an incorrect dates.

Motherboards contain BIOS, which is one of the key ingredients to check for systems designed to handle the year 2000. **All motherboards currently shipped from Iwill contain BIOS capable of handling the year 2000 date correctly.** The BIOS contains a feature that checks the least two significant digits of the year stored in the RTC during each BIOS request (INT 1Ah) to read the date and, if less than '80', updates the century byte to '20'. This feature enables operating systems and applications using the BIOS date/time services to reliably manipulate the year as a four-digit value.

Be aware that the BIOS capability alone does not ensure that the system will handle the transition correctly. Other system components such as the operating system and application software also need to be able to handle the year 2000 date and recognize the date format from other pieces.

## 0.1 Features

### 0.1.1 Processor

Single or dual Pentium® III/II processor support

Supports 100 MHz and 66 MHz bus speed

Supports all published Pentium® II processor voltages

S.E.C. (Single Edge Contact) cartridge and S.E.C.C.2 cartridge Slot 1 connector

Jumper inside selects the processor speed from 233 MHz to 500 MHz or higher

---

## 0.1.2 Core Logic

Intel 82443BX PCI/A.G.P. controller

Integrated DRAM controller

Integrated PCI bus mastering controller

Integrated Accelerated Graphics Port (A.G.P.) bus controller

Intel 82371EB PCI/ISA/IDE Xcelerator (PIIX4E)

Multifunction PCI-to-ISA bridge (PCI Rev 2.1 compliant)

Integrated IDE controller with Ultra DMA/33 support

USB host interface with support for two USB ports

Enhanced DMA controller and standard Interrupt controller and Timer function

System Management Bus (SMB) with support for DIMM Serial PD

## 0.1.3 Main Memory

Four 168-pin DIMM (Dual In Line Memory Module) sockets

Supports up to 1 GB of 3.3 V Unbuffered SDRAM or Registered DIMM

Supports up to 1 GB of 3.3 V Extended Data Out (EDO) memory

64-bit data interface with ECC support (SDRAM only)

## 0.1.4 SCSI Subsystem

Adaptec AIC-7890 PCI Bus Master Ultra2 SCSI Host Adapter

Providing one LEAGCY and one LVD/SE channels

Providing up to 40 MB/sec sustained throughput on LEAGCY channel

Providing one 68-pin connectors and one 50-pin connector on LEAGCY channel

Supports maximum cable length up to 1.5 meter on LEAGCY channel

Providing up to 80 MB/sec sustained throughput on LVD/SE channel (LVD devices only)

Providing one 68-pin connectors on LVD/SE channel

Supports maximum cable length up to 12 meters on LVD/SE channel (LVD devices only)

Supports burst data transfer on the PCI bus up to 133 MB/sec

## 0.1.5 Multi I/O

Winbond W83977TF super I/O controller

Supports two floppy disk drives (include 3 Mode drive) and / or QIC-80 tape drive

Supports one multi-mode parallel port

Supports two high speed 16550 FIFO serial ports

Integrated keyboard controller

Integrated PS/2 mouse controller

Support Keyboard-Power-On function

---

## **0.1.6 Expansion slots**

Two ISA slots

Four PCI slots

One A.G.P. slot

## **0.1.7 Form Factor**

Compliance with ATX Version 2.01 specification

Supports ATX power supply connector

Supports the remote on/off switch

Physical dimensions: length: 265 mm / width: 305 mm

## **0.1.8 Manageability**

NS LM78 System Hardware Monitor

Wake on LAN header for use with add-in network interface cards (NICs)

## **0.1.9 Other features**

Award BIOS

Using Flash ROM to provide on-board-upgrade ability without changing components

Plug and Play compatible

Supports Advanced Power Management (APM)

Supports Creative SB-LINK to deliver Sound Blaster 16 compatibility

## **0.2 Environment Requirements**

Temperature 0-55 degrees C (operating or storage)

5% to 95% non-condensing relative humidity

At least a 250 W power supply

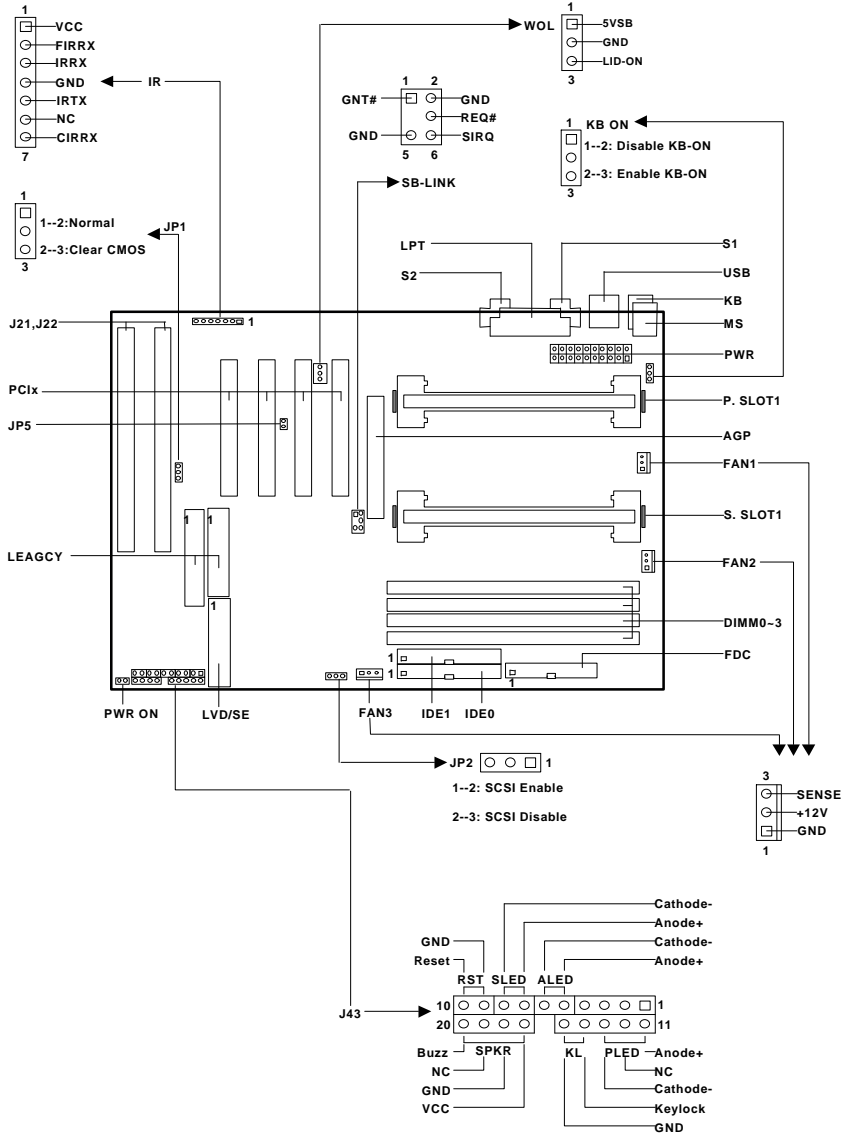
The power supply must comply with the following recommendations found in the spec.:

The potential relation between 3.3 VDC and +5 VDC power rails

The current capability of the +5VSB line

## 0.3 Motherboard Components Placement

The following figure shows the location of the motherboard components.





---

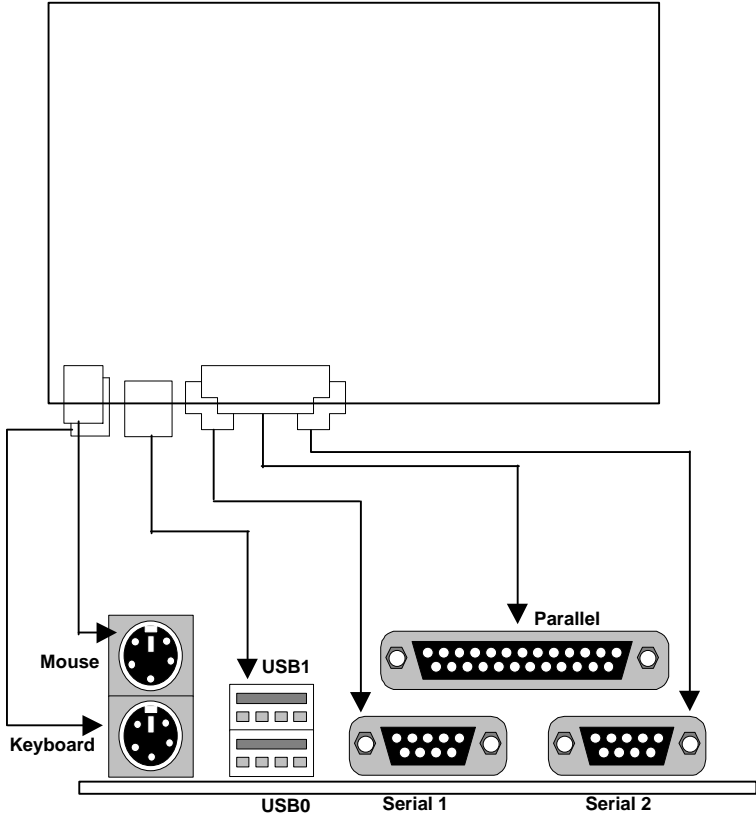
<b>Location</b>	<b>ScreenPrinting</b>	<b>Description</b>
J3	P.Slot1	Primary processor Slot 1
J4	S.Slot1	Secondary processor Slot 1
J5--J8	DIMM0--3	168-pin DIMM Sockets
J11	AGP	A.G.P. connector
J12--J15	PCI1--4	PCI expansion slots
J21--J22	J21,J22	ISA expansion slots
J25	LEAGCY	Narrow SCSI connector for leagcy devices
J26	LEAGCY	Wide SCSI connector for leagcy devices
J27	LVD/SE	Wide SCSI connector for Ultra2 or leagcy devices
J28	IDE 0	Primary IDE connector
J29	IDE 1	Secondary IDE connector
J30	FDC	Floppy drive connector
J31	S1	Serial 1 connector
J32	S2	Serial 2 connector
J33	LPT	Parallel connector
J34	USB	Two USB connectors
J35	MS	PS/2 mouse connector
J35	KB	PS/2 keyboard connector
J37	PWR	Standard ATX power connector
J39	FAN1	Processor fan header
J40	FAN2	System fan header
J41	FAN3	System fan header
J42	PWR ON	Remote power on/off header
J43	J43	Front panel I/O header
	ALED (pins 5--6):	IDE LED header
	SLED (pins 7--8):	SCSI LED header
	RST (pins 9--10):	Reset Switch header
	PLED (pins 11--13):	Power LED header
	KL (pins 14--15):	Keylock switch header
	SPKR (pins 17--20):	Speaker header
J44	SB-LINK	Creative SB-LINK header
J45	IR	IR (infrared) connector
J46	WOL	Wake On LAN header
J52	KB ON	Jumper for Keyboard-Power-On enable/disable
JP1	CLRTC	Jumper for clearing CMOS
JP2	SCSI	Jumper for SCSI enable/disable
JP5	JP5	Jumper for PCI devices compatibility

---

## 0.4 Back Panel Connectors

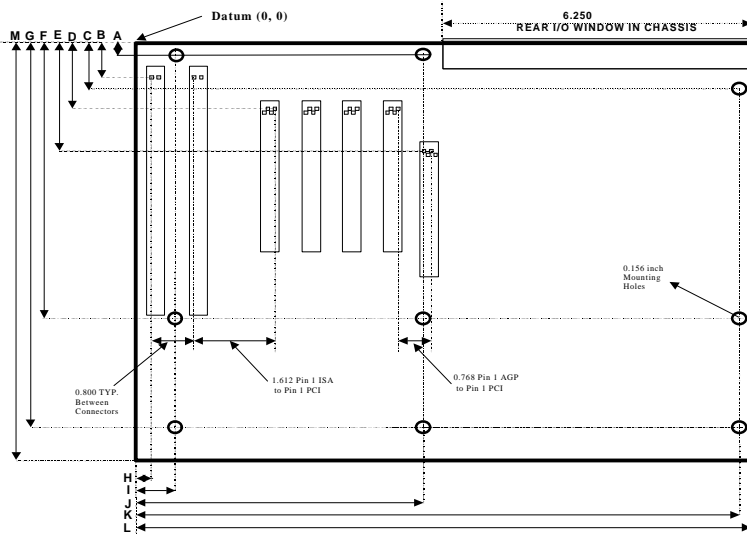
The following figure shows the location of the back panel I/O connectors, which include:

- PS/2-style keyboard and mouse connectors
- Two USB connectors
- Two serial port connectors
- One parallel port connector



## 0.5 Form Factor

The motherboard is designed to fit into an ATX form-factor chassis. The I/O connector locations and the mounting hole locations are in compliance with the ATX specification. Please see detail in the following figure.



A: 0.400 inch	H: 0.150 inch
B: 1.000 inch	I: 0.650 inch
C: 1.300 inch	J: 5.550 inch
D: 1.625 inch	K: 11.750 inch
E: 2.630 inch	L: 12.000 inch
F: 6.500 inch	
G: 9.350 inch	
M: 10.390 inch	

---

# Chapter 1

## Quick Installation

Several easy installation steps will be described in this chapter to help the experienced users with quick installation. If you are a beginner, or need to know more about this product, please refer to **Chapter 2**.

**Note:** Please reviews **0.3 Motherboard Components Placement** graphic for reference.

**Warning:** Users must follow these guidelines to ensure the DBL100 is protected during installation.

- a. Make sure your computer is unplugged whenever working with inside components.
- b. Beware of Static electricity! Either wear anti-static wrist straps, or ensure that you touch a safely grounded object (such as a metal desk/table). Don't handle components near high static objects (i.e. carpets, wool/ acrylic sweaters, etc.).
- c. Pick up components by their bodies. Try not to touch IC chips, connectors or leads. Don't handle components any more than necessary.
- d. Keep all magnets away from both your hard and floppy disk drives, especially magnetic screwdrivers. Keep both floppy and hard disks apart if disassembled.
- e. Keep water and liquids away from your computer and its components.

### Step 1. Install processor

This process is for motherboards already equipped with the universal retention mechanism.

For Pentium II processors:

- a. Lift each of the two retention mechanism brackets so that they stand fully upright. You should hear a soft "click" sound once each bracket is in the correct upright position.
- b. With the CPU fan facing the DIMM sockets, insert the CPU horizontally into the retention mechanism, sliding both edges in simultaneously and as "evenly" as possible. Then, press down gently yet firmly so that the CPU is fully inserted correctly into the socket.
- c. Locate the two CPU lock switches, which are on the top, one on each side of the CPU just above its respective bracket. With the CPU fan facing you, use **both** hands and grasp the CPU, placing each thumb on top of each lock switch. Then, at the same time "flip" each lock switch outward in opposite directions (both away from the CPU fan). You should hear two "click" sounds, one from each switch. This indicates the CPU is secured into place.
- d. To release CPU, grasp the CPU (in the same manner in "c" above) and push both lock switches inward (toward the CPU fan). You should hear two "click" sounds, one from each switch. Lift CPU upward and out of the socket.

---

For Pentium III/Celeron processors:

- a. Follow steps “a” ~ “b” above.
- b. Locate the two sliding locks on each bracket. Read the writing on each lock: “OPEN” and “LOCK”. To lock, use your index finger and thumb, grasp each lock, and gently slide upward. This may be done simultaneously with two hands, or one at a time. Once each lock has been fixed upward, the CPU is secured into place.
- c. To release CPU, use your index finger and thumb, grasp each lock, and gently push downward. Lift the CPU upward and out of the socket.

## Step 2. Install processor fan

This process is executed more quickly if your Pentium II/III/Celeron processor already has a fan attached to it. If so, attach the processor fan power cable to the “FAN1” header.

## Step 3. Setting CPU speed

The CPU speed is setup using **Iwill Smart Setting**. This is found in the BIOS setup by pressing <Del> during the boot up process. Please refer to **Chapter 5** for instructions on setting CPU speed.

Note: The CPU speed must be setup according to the CPU’s specifications.

## Step 4. Install the memory module

At least one piece of 168-pin 3.3V unbuffered SDRAM, Registered DIMM or EDO DIMM is needed to be located into the DIMM sockets.

## Step 5. Connect the internal peripherals

The internal peripherals means devices that are in the computer chassis like the floppy disk drive, hard disk drive, CD-ROM drive .etc. There are one 34-pin flat cable for floppy disk drive and one 40-pin flat cable for IDE devices included in your retail package. The protected key on cables’ connector will guide you the correct direction when you insert the cables.

## Step 6. Connect the Reset button

The 2-pin reset header is located on pins 9--10 (marked as RST) of the front panel connector. Connect the momentary type switch on the chassis to this header for reset function.

Signal of RST header	
Pin 9	Ground
Pin 10	RESET

---

## Step 7. Connect the Speaker

The 4-pin speaker header is located on pins 17--20 (marked as SPKR) of the front panel connector. Connect the speaker to this header.

Signal of SPKR header	
Pin 17	VCC
Pin 18	Ground
Pin 19	NC
Pin 20	BUZZ

## Step 8. Connect the power LED and keylock switch

The power LED and keylock header is located on pins 11--15 (marked as PLED and KL) of the front panel connector. It contains two functions: the power on LED header and the keylock header. Connect chassis's power LED and keylock switch (if supported) to these headers.

Signal of PLED header		Signal of KL header	
Pin 11	Anode (+)	Pin 14	KEYLOCK
Pin 12	NC	Pin 15	Ground
Pin 13	Cathode (-)		

## Step 9. Connect the IDE LED

The 2-pin IDE LED header is located on pins 5--6 (marked as ALED) of the front panel connector. Connect the chassis's LED to this header.

Signal of ALED header	
Pin 5	Anode (+)
Pin 6	Cathode (-)

## Step 10. Connect the SCSI LED

The 2-pin SCSI LED header is located on pins 7--8 (marked as SLED) of the front panel connector. Connect the chassis's LED to this header.

Signal of SLED header	
Pin 7	Anode (+)
Pin 8	Cathode (-)

## Step 11. Connect the Power ON button

All the ATX computer chassis provide a power on button. Connect the button to the header marked as "PWR ON".

## Step 12. Install the Power Supply cord

This motherboard provides the 20-pin ATX power connector. This works conjunction with the *Power On button* to provide remote On/Off function.

---

### **Step 13. Install the Keyboard**

Connect the keyboard to the PS/2 keyboard connector at the back panel.

### **Step 14. Install the Display Card**

Insert the display card into the ISA, PCI or AGP expansion slot.

### **Step 15. Connect the External Peripherals**

The external device means devices outside the computer chassis like the serial mouse, printer, PS/2 mouse, external modem .etc.

### **Step 16. Power on the system**

Once the system is powered on, make sure you enter the BIOS setup program and load the manufacturer's default settings. After the system reboot, you are ready to install your operating system and we wish you to enjoy it.

---

# Chapter 2

## Hardware Installation

### 2.1 Preparation and Inspection

This motherboard, like all other electronic equipment, is static sensitive. Please take the proper precautions when handling it. If possible, ground yourself by touching a metal table or your computer frame. Keep the board in its conductive wrapping until it is configured and ready to be installed in your system.

### 2.2 Unpack the DBL100

You should find the following components when opening the box:

- One motherboard
- One 34-pin floppy cable
- One 40-pin IDE cable
- One 50-pin Narrow SCSI cable
- One 68-pin Wide SCSI cable
- One 68-pin Wide LVD SCSI cable with terminator
- One Quick Installation Guide
- One Iwill PowerInstaller CD diskette
- Four EZ-SCSI Driver diskette
- One LANDesk Client Management CD (Optional)
- One External SCSI-II expansion Kit (Optional)

For installation, you may need some or all of the following tools:

Medium size flat blade screwdriver

Medium sized Phillips head screwdriver

A 3/16 inch nut driver or wrench

**Warning:** Users must follow these guidelines to ensure the DBL100 is protected during installation.

- a. Make sure your computer is unplugged whenever working with inside components.
- b. Beware of Static electricity! Either wear anti-static wrist straps, or ensure that you touch a safely grounded object (such as a metal desk/table). Don't handle components near high static objects (i.e. carpets, wool/ acrylic sweaters, etc.).
- c. Pick up components by their bodies. Try not to touch IC chips, connectors or leads. Don't handle components any more than necessary.
- d. Keep all magnets away from both your hard and floppy disk drives, especially magnetic screwdrivers. Keep both floppy and hard disks apart if disassembled.
- e. Keep water and liquids away from your computer and its components.



---

## 2.3 Installation procedures

### 2.3.1 Processors (P.Slot 1, S.Slot 1, FAN1 and FAN2)

The DBL100 motherboard supports single or dual Pentium® III/II/Celeron processors. The processor's VID pins automatically program the voltage regulator on the motherboard to the required voltage. The motherboard currently supports processors that run internally from 233 MHz to 500 MHz or higher.

If you are installing two processors, the following values must be identical for both processors:

- L2 cache size and type (ECC or non-ECC)
- Operating voltages
- Bus and core frequencies

This process is for motherboards already equipped with the universal retention mechanism.

For Pentium II processors:

- a. Lift each of the two retention mechanism brackets so that they stand fully upright. You should hear a soft "click" sound once each bracket is in the correct upright position.
- b. With the CPU fan facing the DIMM sockets, insert the CPU horizontally into the retention mechanism, sliding both edges in simultaneously and as "evenly" as possible. Then, press down gently yet firmly so that the CPU is fully inserted correctly into the socket.
- c. Locate the two CPU lock switches, which are on the top, one on each side of the CPU just above its respective bracket. With the CPU fan facing you, use **both** hands and grasp the CPU, placing each thumb on top of each lock switch. Then, at the same time "flip" each lock switch outward in opposite directions (both away from the CPU fan). You should hear two "click" sounds, one from each switch. This indicates the CPU is secured into place.
- d. To release CPU, grasp the CPU (in the same manner in "c" above) and push both lock switches inward (toward the CPU fan). You should hear two "click" sounds, one from each switch. Lift CPU upward and out of the socket.

For Pentium III/Celeron processors:

- a. Follow steps "a" ~ "b" above.
- b. Locate the two sliding locks on each bracket. Read the writing on each lock: "OPEN" and "LOCK". To lock, use your index finger and thumb, grasp each lock, and gently slide upward. This may be done simultaneously with two hands, or one at a time. Once each lock has been fixed upward, the CPU is secured into place.
- c. To release CPU, use your index finger and thumb, grasp each lock, and gently push downward. Lift the CPU upward and out of the socket.

---

Locate the FAN1 header (processor fan header) on the motherboard:

Pin 1	Ground
Pin 2	+12 V
Pin 3	SENSE

Note 1. The processor fan must always be attached to the processor to prevent overheating.

Note 2. The second-level cache is located on the base of the SEC cartridge. The cache size and cacheable memory size vary, depending on the processor used.

### 2.3.2 Setting CPU speed

The CPU speed is setup using **Iwill Smart Setting**. This is found in the BIOS setup by pressing <Del> during the boot up process. Please refer to **Chapter 5** for instructions on setting CPU speed. When adjusting frequency, select the frequency that matches your motherboard's bus speed in order to maximize your motherboard's performance. Enclosed is a list of possible CPU settings.

Note: The CPU speed must be setup according to the CPU's specifications.

CPU Model	BIOS Setting
Intel Pentium II 233MHz	Manual, x3.5, 66MHz
Intel Pentium II 266MHz	Manual, x4, 66MHz
Intel Pentium II 300MHz	300Mhz(66x4.5)
Intel Pentium II 333MHz	333Mhz(66x5)
Intel Pentium II 350MHz	350Mhz(100x3.5)
Intel Pentium II 400MHz	400Mhz(100x4)
Intel Pentium II 450MHz	450Mhz(100x4.5)
Intel Pentium III 450MHz	450Mhz(100x4.5)
Intel Pentium III 500MHz	500Mhz(100x5)
Intel Pentium III 550MHz	550Mhz(100x5.5)
Intel Celeron 266MHz	Manual, x4, 66MHz
Intel Celeron 300	300Mhz(66x4.5)
Intel Celeron 333MHz	333Mhz(66x5)
Intel Celeron 366MHz	366Mhz(66x5.5)
Intel Celeron 400MHz	400Mhz(66x6)
Intel Celeron 433MHz	433Mhz(66x6.5)
Intel Celeron 466MHz	466Mhz(66x7)

### 2.3.3 Main memory (DIMM0--3)

The motherboard has four dual inline memory module (DIMM) sockets, which supports memory size from 8 MB to 1 GB with SDRAM and EDO DRAM. The Synchronous DRAM (SDRAM) improves memory performance through memory access that is synchronous with the memory clock. The Error Checking and Correcting (ECC) memory improves system security by detecting and correcting error bit when accessing memory.

---

The motherboard supports the following memory features:

- JEDEC MO-161 compliant 168-pin DIMMs with gold-plated contacts
- 3.3 V memory module only
- ECC logic detects multiple-bit errors and corrects single-bit errors (SDRAM)
- Unbuffered SDRAM, Registered DIMM or 60-ns 3.3 V EDO DIMMs
- 16 / 64 Mbit DRAM technology
- Symmetrical and asymmetrical DRAM addressing
- Single-sided or double-sided DIMMs
- 3.3 V EDO and SDRAM DIMMs can NOT be installed on the same motherboard
- Registered and Unbuffered DIMMs can NOT be installed on the same motherboard

Memory can be installed in DIMM sockets without any order restriction. The memory size, speed can vary between sockets. The BIOS automatically detects memory type, size and speed.

Note 1. In order to reduce the loading, the total memory chip count installed on the system should not exceed 72 unless the Registered DIMMs are used.

Note 2. The Serial Presence Detect (SPD) information is highly recommended on all 100 MHz DIMMs for this motherboard. This function is implemented using an EEPROM component on the memory module. The nonvolatile storage device contains data programmed by the DIMM manufacturer that identifies the module type and various SDRAM organization and timing parameters. A warning message will be prompted if any DIMMs installed on this motherboard has no SPD EEPROM. In this case, the system might fail to be stable without correct timing parameters.

### **2.3.4 Accelerated Graphics Port (AGP)**

The Accelerated Graphics Port (A.G.P.) is a high-performance interconnect, especially for graphic-intensive 3D applications. A.G.P. is independent of the PCI bus and is intended for exclusive use with graphical display devices. The A.G.P. supports AC timing for 133 MHz data transfer rates, allowing data throughput of 533 MB/sec.

The most important feature of A.G.P. is DIME (Direct Memory Execute). DIME needs to allocate some system memory via the O.S. to access large textures outside the local graphic memory of the card. In order to take advantage of DIME feature, some software components should be installed or upgraded in the system.

- For Windows NT 4.0: Upgrade to "Windows NT 4.0 Service Pack 3".
- For Windows 95: Upgrade to Windows 95 OSR 2.1.  
Install DirectX 5 from Microsoft.

---

### **2.3.5 Primary/Secondary IDE connectors (IDE0 and IDE1)**

The motherboard has two bus-mastering IDE interfaces, which support PIO Mode 3 / 4 and Ultra DMA 33 mode transfer. These interfaces support IDE disks, ATAPI devices (ex: CD-ROM), ZIP and LS-120 devices. If two devices are connected to one channel, one should be set to "Master" and the other one to "Slave" (Refer to device operation guide).

Simply connect the 40-pin IDE cable between the IDE/ATAPI devices and these connectors on the motherboard. For a performance reason, we suggest that connect the disk drive to the primary channel and other devices like CD-ROM to the secondary channel.

### **2.3.6 Floppy drive connector (FDC)**

The motherboard has one floppy interface, which supports 360K, 720K, 1.2M, 1.44M, 2.88M, 3 Mode floppy drives and QIC-80 Floppy tape drive. It supports up to two devices in any capacity with the same connector. Simply connect 34-pin floppy cable between this connector and floppy drives.

### **2.3.7 Serial port connector (S1 and S2)**

The two 9-pin D-Sub serial port connectors on the back panel are compatible with 16550 UART. These ports are used for serial mouse, serial printer, fax modem .etc. Simply connect the serial devices to these connectors.

### **2.3.8 Parallel port connector (LPT)**

The connector for the multi-mode parallel port is a 25-pin D-Sub connector located on the back panel. It is used for the printer or other parallel devices. Simply connect the parallel cable between devices and the parallel port connector.

### **2.3.9 Universal Serial Bus (USB)**

The USB is suitable for mid-to-low speed devices like mouse, keyboard, joystick...etc. In the past, all these devices were using different connectors, and it is difficult for end users to install the system. With USB technology, users only need to plug all their USB peripherals on the connector in chain and ready to go.

The motherboard supports following USB features:

- Self-identifying, hot pluggable peripherals
- Support of isochronous and asynchronous transfer type
- Supports for a maximum of 127 physical devices
- Supports data transfer rate up to 12 Mbit/sec

The motherboard has two USB ports; any USB peripheral can be connected to either port. For more than two USB devices, an external hub can be connected to either port.

---

### 2.3.10 PS/2 keyboard and mouse connectors (KB and MS)

The keyboard connector is a 6-pin mini-DIN connector located on the back panel (the bottom one). Simply connect the standard PS/2 keyboard into this connector. The PS/2 mouse connector is a 6-pin mini-DIN connector on the back panel. Simply connect the PS/2 mouse into this connector.

Note that power to the computer should be turned off before a keyboard and/or mouse is connected or disconnected.

### 2.3.11 ATX power connector (PWR)

This motherboard supports an ATX power connector. Simply connect the power cord of power supply to this connector.

Signal of ATX power supply connector

Pin 1 ----- +3.3 V	Pin 11 ----- +3.3 V
Pin 2 ----- +3.3 V	Pin 12 ----- +12 V
Pin 3 ----- Ground	Pin 13 ----- Ground
Pin 4 ----- +5 V	Pin 14 ----- PWR_ON#
Pin 5 ----- Ground	Pin 15 ----- Ground
Pin 6 ----- +5 V	Pin 16 ----- Ground
Pin 7 ----- Ground	Pin 17 ----- Ground
Pin 8 ----- PWGOOD	Pin 18 ----- -5 V
Pin 9 ----- +5VSB	Pin 19 ----- +5 V
Pin 10 ----- +12 V	Pin 20 ----- +5 V

### 2.3.12 System fan header (FAN3)

The system airflow is critical for system's reliability. Airflow is determined by the size and number of fans and vents along with the placement in relation to the components and the airflow channels within the system.

The motherboard supports one extra system fan header: FAN3. Connect the system cooler's power cable to this header to move the air through the chassis.

Signal of FAN3 header

Pin 1 ----- Ground
Pin 2 ----- +12 V
Pin 3 ----- SENSE

### 2.3.13 Power On header (PWR ON)

This header can be connected to chassis's power switch. Because of debounce circuitry on the motherboard, the switch must be pressed for at least 50 ms to signal the power supply to switch on or off. At least two seconds must pass before the power supply will recognize another on/off signal.

Note: Hold the power on switch in for four seconds will force the system switch off.

---

## 2.3.14 Front panel connector (J43)

This connector contains several headers, which are connected to button or switch located on front panel of the chassis.

### 2.3.14.1 IDE LED header (ALED)

The 2-pin IDE LED header is located on pins 5--6 (marked as ALED) of the front panel connector. It can be connected to an LED on the chassis, which will light up when IDE devices is working.

Signal of ALED header

Pin 5 ----- Anode (+)

Pin 6 ----- Cathode (-)

### 2.3.14.2 SCSI LED header (SLED)

The 2-pin SCSI LED header is located on pins 7--8 (marked as SLED) of the front panel connector. It can be connected to an LED on the chassis, which will light up when SCSI devices is working.

Signal of SLED header

Pin 7 ----- Anode (+)

Pin 8 ----- Cathode (-)

### 2.3.14.3 RESET header (RST)

The 2-pin reset header is located on pins 9--10 (marked as RST) of the front panel connector. It can be connected to a momentary type switch that is normally open. When the switch is close, the system will reset.

Signal of RST header

Pin 9 ----- Ground

Pin 10 ----- RESET

### 2.3.14.4 Power LED and KEYLOCK header (PLED and KL)

The power LED and keylock header is located on pins 11--15 (marked as PLED and KL) of the front panel. It contains two functions: the power on LED header and the keylock header. The power on LED can be connected to a LED. When the computer is powered on, the LED will be lighted up. The keylock header can be connected to a switch on the chassis. When the switch is close, keyboard function will be disabled temporarily until the switch is open.

Signal of PLED header

Pin 11 ----- Anode (+)

Pin 12 ----- NC

Pin 13 ----- Cathode (-)

Signal of KL header

Pin 14 ----- KEYLOCK

Pin 15 ----- Ground

---

### 2.3.14.5 SPEAKER header (SPKR)

The 4-pin speaker header is located on pins 17--20 (marked as SPKR) of the front panel connector. The speaker provides error beep code information during the POST in the event that the computer can not use the video interface.

Signal of SPKR header

Pin 17	VCC
Pin 18	Ground
Pin 19	NC
Pin 20	BUZZ

### 2.3.15 SB-LINK header (SB-LINK)

Sound Blaster 16 was almost the standard of the ISA Bus sound cards, a lot of games were programmed for Sound Blaster especially under DOS environment. If the users are still interested in playing these game titles, they might have compatibility problems with the new up graded PCI Bus sound card.

This header adopts Intel's PC/PCI technology to deliver Sound Blaster 16 compatibility to PCI Bus sound card, enabling users to play real-mode DOS games. Connect the cable provided by PCI sound card to this connector.

Signal of SB-LINK header

Pin 1	GNT#	Pin 2	Ground
Pin 3	Key	Pin 4	REQ#
Pin 5	Ground	Pin 6	SIRQ

### 2.3.16 Infrared connector (IR)

Serial Port 2 can be configured to support an IrDA module connected to this connector. After the IrDA interface is configured, data can be transferred between devices by using application software.

Signal of IR connector

Pin 1	VCC	Pin 5	IRTX
Pin 2	FIRRX	Pin 6	NC
Pin 3	IRRX	Pin 7	CIRRX
Pin 4	Ground		

---

### 2.3.17 WOL header (WOL)

This header is used to implement the Wake on LAN feature. Connect this header to a network interface card (NIC) that supports the Wake on LAN technology. The NIC monitors network traffic. When it detects a Magic Packet, it asserts a signal through the WOL header to wake up the computer. This signal can wake up the computer only when the power cord is still plugged into the socket and the computer is turned off.

Signal of WOL header	
Pin 1	5VSB
Pin 2	Ground
Pin 3	LID_ON

### 2.3.18 Clear CMOS jumper block (CLRRTC)

To reset the RTC (Real Time Clock) CMOS data, you need to change the jumper cap of JP1 from *1-2 close* to *2-3 close*, then set to *1-2 close* again. After that, you should get into BIOS setup program and choose LOAD SETUP DEFAULTS, then you will now get original manufacturer default setting in your CMOS.

### 2.3.19 Keyboard-Power-On Enable/Disable jumper block (KB ON)

The motherboard supports a Keyboard-Power-On feature. The system can be powered on by pressing a set of user-defined-key simultaneously. The default setting, 2-3, makes this feature enabled. If you want to disable the Keyboard-Power-On feature, put the jumper cap to pins 1-2.

### 2.3.20 System Hardware Monitor

The system hardware monitor supports following features:

- Integrated temperature sensor to monitor system temperature
- Voltage sense monitoring to detect voltage level (+12 V, -12 V, +5 V, -5 V, +3.3 V)
- Fan speed sensors for up to three fans

With a proprietary application, the system hardware monitor logic will check the voltage, temperature and fan speed all the time. If any failure occurs, the application will prompt warning message in a real time.

### 2.3.21 SCSI Subsystem (LEAGCY, LVD/SE and SCSI)

The onboard SCSI subsystem features the Adaptec AIC-7890, which contains an Ultra2 Wide SCSI controller and a PCI bus master interface. It provides a Low-Voltage-Differential (LVD) channel. The LVD (Ultra2 SCSI) is the most recent SCSI technology, which supports transfer rate of up to 80 MB per second and maximum cable length of up to 12 meters. With an extra LVD-to-LEAGCY device, AIC-3860, this motherboard also provides a leagcy channel which is fully backward compatible with all leagcy SCSI devices like Ultra Wide, Ultra, Fast Wide, Fast and SCSI-I devices. This leagcy channel provides transfer rate of up to 40 MB per second and maximum cable length of up to 1.5 meter.



---

The motherboard has three SCSI connectors. The LEAGCY channel has one high-density 68-pin Wide connector as well as one 50-pin Narrow connector, and the LVD/SE channel has a high-density 68-pin Wide connector only.

Note that a legacy SCSI device can be attached to the LVD/SE channel. In this case, the motherboard will switch to the Single-Ended (SE) mode instead of the LVD mode on LVD/SE channel and the throughput of the LVD/SE channel will drop to 40 MB per second only. It is strongly recommended that you connects all legacy SCSI devices to the LEAGCY channel and connects only Ultra2 SCSI (LVD) devices to the LVD/SE channel.

Use the onboard 68-pin connector for cabling to 16-bit Wide SCSI devices and use the 50-pin connector for cabling to 8-bit narrow devices. From end to end, a SCSI cable is route, in a daisy chain fashion, from the last internal SCSI device to each subsequent internal device including the onboard host controller. The cable can then connect to an optional converter card (External Kit) installed in an unused I/O slot of the chassis. From the external kit, an external SCSI cable can be used to connect external SCSI devices.

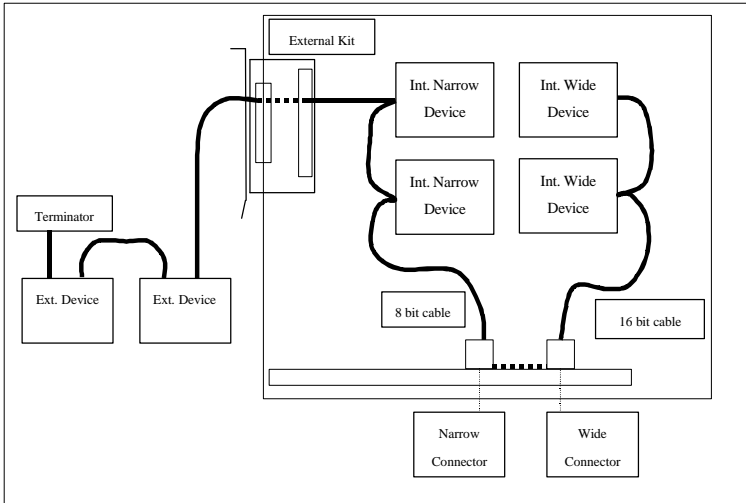
For proper operation of Ultra / Ultra Wide SCSI devices on the LEAGCY channel, the overall length of the SCSI cable from the last internal device to the last external device should not exceed 3 meters with four Ultra / Ultra Wide SCSI devices and 1.5 meters with eight peripherals per channel.

Install or enable terminators on the last physical SCSI device at each end of the SCSI bus (Note that a SCSI bus can comprise several SCSI cables) and remove or disable terminators on all other devices on the SCSI bus. The motherboard will set its terminator to proper state automatically.

Make sure you have assigned each device on the SCSI bus, including the onboard SCSI controller, a unique SCSI ID.

Note: JP2 is a jumper block for enabling/disabling onboard SCSI controller. The default setting, 1-2, enables the onboard SCSI controller. If you want to disable the onboard SCSI controller, put the jumper cap to pins 2-3.

The following figure shows the correct SCSI bus topology.



---

# Chapter 3

## System BIOS Setup

### 3.1 Introduction

The DBL100 motherboard uses AWARD BIOS, which is stored in flash memory and can be upgraded using the appropriate software program. The setup program is for viewing and changing the BIOS setting for a computer. These settings are stored in battery-backed RAM so that it retains all the settings after the power has been turned off.

#### 3.1.1 Upgrade BIOS

The BIOS can be upgraded from a diskette with the Award Flash utility -- AWDFLASH.EXE. The BIOS image file, and update utility are available from Iwill's WEB site: [www.iwill.com.tw](http://www.iwill.com.tw).

#### 3.1.2 Recovering BIOS Data

Some types of conditions can destroy the BIOS. Nevertheless, the BIOS can be recovered from a diskette. To recover BIOS, you must create a bootable diskette, then copy the recovery files onto it. The recovery files are available from Iwill.

Note: No video is displayed during the recovery process.

#### 3.1.3 Enter BIOS setup program

Power-on the system by either pressing the Power-On button, or by using any of the power-on features provided by the DBL100 motherboard. Then, press the <Del> key after the Power-On Self Test (POST), and before the scanning of IDE devices. Simply look for the message "Press DEL to enter SETUP" displayed at the bottom of the screen during the boot up process. If the message disappears before you've had a chance to respond, you can restart the system by

- Turning off the system power then turn it on again, or
- Pressing the "RESET" button on the system case, or
- Pressing <Ctrl>, <Alt> and <Del> keys simultaneously.

---

### 3.1.4 Using BIOS setup program

The following table shows the function keys available for each menu screen.

↑Up	Move to the previous field
↓Down	Move to the next field
←Left	Move to the field on the left hand side
→Right	Move to the field on the right hand side
<Esc>	Quit from setup program without saving changes, or Exit from current menu page and return to main menu page
<PgUp> or <+>	Select the previous value for a field
<PgDn> or <->	Select the next value for a field
<F1>	Bring up a help screen for the current field
(Shift)<F2>	Change screen color. F2 to select color forward, (Shift) F2 to select color backward
<F10>	Save the current value and exit setup program

#### NOTE

Generally, the BIOS default settings have been carefully chosen by the system manufacturer to provide the absolute maximum performance and reliability. It is very dangerous to change any setting without full understanding. We strongly recommend that you

**DO NOT update your BIOS if the system works perfectly.**

**DO NOT change any setting unless you fully understand what it means.**

If the system does not work smoothly after changing the BIOS settings, follow the procedures described previously, enter the BIOS setup program, then load the original manufacturer default settings.

If the system is no longer able to boot after changing the settings, the only way to recover it is to clear the data stored in RTC CMOS. To reset the RTC CMOS data, take the JP1 jumper cap off pins 1-2, place onto pins 2-3, and then place back onto pins 1-2 again. This will return the RTC to the default setting. Then, get into the BIOS setup program (see 4.1.3 above), choose LOAD SETUP DEFAULTS, and select the original manufacturer default settings in your CMOS.

## 3.2 Main Menu

The main menu allows you to select from several setup pages. Use the arrow keys to select among these pages and press <Enter> key to enter the sub-menu.

Note: A brief description of each highlighted selection appears at the bottom of the screen.

The main menu includes the following setup pages.

#### **STANDARD CMOS SETUP**

Allocates resources for hardware components

#### **BIOS FEATURES SETUP**

Specifies advanced features available through the BIOS

---

### **CHIPSET FEATURES SETUP**

Specifies advanced features available through the chipset

### **POWER MANAGEMENT SETUP**

Specifies power management features

### **PNP /PCI CONFIGURATION**

Specifies Plug and Play and PCI features

### **INTEGRATED PERIPHERALS**

Specifies on-board controller features

### **LOAD SETUP DEFAULTS**

Loads the manufacturer default setting into CMOS

### **IWILL SMART SETTING**

Specifies special features

### **SUPERVISOR / USER PASSWORD**

Specifies passwords

### **IDE HDD AUTO DETECTION**

Auto-detects the parameters of IDE disks

### **SAVE & EXIT SETUP**

Saves current value to CMOS and exit setup

### **EXIT WITHOUT SAVING**

Abandons all changes and exit setup

## **3.3 STANDARD CMOS SETUP**

This setup page is used for allocating resources for hardware components.

### **3.3.1 Date**

This field specifies the current date. The date format is <day>, <month>, <date>, and <year>.

### **3.3.2 Time**

This field specifies the current time. The time format is <hour>, <minute>, and <second>. The time is calculated based on the 24-hour military-time clock.

### **3.3.3 Primary Master / Primary Slave / Secondary Master / Secondary Slave**

This field specifies the geometric parameters and translation mode of IDE disk drives.

#### **3.3.3.1 TYPE**

This field specifies the drive type that corresponds to the drive installed in the system. If set to *User*, the number of *Cylinders*, *Heads*, and *Sectors* can be modified.

---

Options	Description
<b>1 – 45</b>	Specifies pre-defined disk drive type
<b>User</b>	Specifies disk drive type by user
<b>Auto</b>	BIOS automatically fills in the values for the cylinders, heads and sectors fields
<b>None</b>	No disk drive attached

### 3.3.3.2 Cylinders

If device *TYPE* is set to *Auto*, this field reports the number of cylinders for your hard disk and can not be modified. If the *TYPE* is set to *User*, you must type the correct number of cylinders for your hard disk.

### 3.3.3.3 Heads

If device *TYPE* is set to *Auto*, this field reports the number of heads for your hard disk and can not be modified. If the *TYPE* is set to *User*, you must type the correct number of heads for your hard disk.

### 3.3.3.4 Sectors

If device *TYPE* is set to *Auto*, this field reports the number of sectors for your hard disk and can not be modified. If the *TYPE* is set to *User*, you must type the correct number of sectors for your hard disk.

### 3.3.3.5 MODE

This field specifies the IDE translation mode.

Options	Description
<b>NORMAL</b>	Specifies traditional CHS addressing mode
<b>LARGE</b>	Specifies extended CHS translation mode
<b>LBA</b>	Specifies LBA translation mode
<b>AUTO</b>	BIOS specifies translation method automatically

## 3.3.4 Drive A / Drive B

This field specifies the traditional type of the floppy drives.

Options	Description
<b>None</b>	No floppy drive is connected
<b>360K, 5.25 in.</b>	A 360K floppy drive is connected
<b>1.2M, 5.25 in.</b>	A 1.2M floppy drive is connected
<b>720K, 3.5 in.</b>	A 720K floppy drive is connected
<b>1.44M, 3.5 in.</b>	A 1.44M floppy drive is connected
<b>2.88M, 3.5 in.</b>	A 2.88M floppy drive is connected

---

### 3.3.5 Floppy 3 Mode Support

3 Mode floppy drive is a kind of 3.5 inches drive, which is used at NEC PC98 computer. It supports 1.2M and 1.44M format with the same drive. This field specifies which drive 3 Mode is supported. When a floppy drive is specified to support 3 Mode, the respective drive setting in "Drive A / Drive B" field will be invalid.

Options	Description
<b>Disabled</b>	No 3 Mode drive is connected
<b>Drive A</b>	A 3 Mode drive is connected as drive A
<b>Drive B</b>	A 3 Mode drive is connected as drive B
<b>Both</b>	Both drive A and drive B are 3 Mode drives

### 3.3.6 Video

This field specifies the type of the graphics adapters used for the primary system monitor.

Options	Description
<b>EGA/VGA</b>	Specifies EGA or VGA adapter
<b>CGA 40</b>	Specifies CGA adapter with 40 column mode
<b>CGA 80</b>	Specifies CGA adapter with 80 column
<b>MONO</b>	Specifies Monochrome adapter

### 3.3.7 Halt On

This field specifies the failure event, which should halt the system if occurred.

Options	Description
<b>All Errors</b>	When the BIOS detects a non-fatal error, the system will stop and you will be prompted
<b>No Errors</b>	The system will not stop for any error that may be detected
<b>All, But Keyboard</b>	The system will stop for any errors except keyboard error
<b>All, But Diskette</b>	The system will stop for any errors except diskette error
<b>All, But Disk/Key</b>	The system will stop for any errors except diskette and keyboard errors

### 3.3.8 Base Memory

The POST will determine the amount of base (conventional) memory installed in the system. The value of the base memory is typically 640K. This field has no options.

### 3.3.9 Extended Memory

The BIOS determines how much extended memory is present during the POST. This is the amount of memory located above 1MB in the processor's memory address map. This field has no options.

---

### 3.3.10 Other Memory

This refers to the memory located in the 640K to 1024K address space. This is memory that can be used for different applications. DOS uses this area to load device drivers in an effort to keep as much base memory free for application programs. The BIOS is the most frequent user of this RAM area since this is where it shadows RAM. This field has no options.

## 3.4 BIOS FEATURES SETUP

This setup page specifies advanced features available through the BIOS.

### 3.4.1 Virus Warning

When this function is enabled, the BIOS will monitor the boot sector and partition table of the hard disk drive for any attempt at modification. If an attempt is made, the BIOS will halt the system and then prompts an error message. Afterwards, if necessary, you can run an anti-virus program to locate and remove the problem before any damage is done.

Note that many disk diagnostic programs will attempt to access the boot sector table, which can cause the above warning message. If you will be running such a program, we recommend that you first disable Virus Warning beforehand.

Options      **Enabled / Disabled (\*)**

### 3.4.2 CPU Internal Cache

This field configures the CPU internal cache (L1 cache).

Options      **Enabled (\*) / Disabled**

### 3.4.3 External Cache

This field configures the system external cache (L2 cache).

Options      **Enabled (\*) / Disabled**

### 3.4.4 CPU L2 Cache ECC Checking

This field specifies whether the CPU L2 cache supports ECC or not.

Options      **Enabled (\*) / Disabled**

### 3.4.5 Quick Power On Self Test

When enabled, BIOS will shorten or skip some items during POST.

Options      **Enabled (\*) / Disabled**



---

### 3.4.6 Boot From LAN First

This field configures the boot from the network adapter. If this feature is enabled, no matter what Boot Sequence you choose (see below section 4.4.7), the system will try to boot from the network adapter first. The adapter must have a BootROM on it.

Options	<b>Enabled</b>
	<b>Disabled (*)</b>

### 3.4.7 Boot Sequence

This field configures the boot sequence of boot devices.

Options	Description
<b>A,C,SCSI (*)</b>	System will first try to boot from floppy drive then master IDE disk drive on primary channel and then SCSI disk drive
<b>C,A,SCSI</b>	Master IDE disk drive on primary channel, floppy drive, SCSI disk driver
<b>C,CDROM,A</b>	Master IDE disk drive on primary channel, ATAPI CDROM drive, floppy drive
<b>CDROM,C,A</b>	ATAPI CDROM drive, master IDE disk drive on primary channel, floppy drive
<b>D,A,SCSI</b>	Slave IDE disk drive on primary channel, floppy drive, SCSI disk drive
<b>E,A,SCSI</b>	Master IDE disk drive on secondary channel, floppy drive, SCSI disk drive
<b>F,A,SCSI</b>	Slave IDE disk drive on secondary channel, floppy drive, SCSI disk drive
<b>SCSI,A,C</b>	SCSI disk drive, floppy drive, ATAPI CD-ROM drive
<b>SCSI,C,A</b>	SCSI disk drive, master IDE disk drive on primary channel, floppy drive
<b>C only</b>	Master IDE disk drive on primary channel only
<b>LS/ZIP,C</b>	LS-120 or ZIP drive, master IDE disk drive on primary channel

### 3.4.8 Swap Floppy Drive

When enabled, the logical drive letter of floppy drive A and B will be exchanged without changing the physical cable.

Options	<b>Enabled / Disabled (*)</b>
---------	-------------------------------

### 3.4.9 Boot Up Floppy Seek

When enabled, BIOS will check floppy drive status during POST. If an error occurred, system will be paused and an error message will be prompted.

Options	<b>Enabled (*) / Disabled</b>
---------	-------------------------------

---

### 3.4.10 Floppy Disk Access Control

This field configures floppy disks access mode.

Options	Description
<b>R/W (*)</b>	Floppy disks can be accessed read and write both
<b>Read Only</b>	Floppy disks can be accessed read only

### 3.4.11 Boot Up NumLock Status

This field configures the numeric keypad after system booting up.

Options	Description
<b>On (*)</b>	Keypad works as number keys
<b>Off</b>	Keypad works as arrow keys

### 3.4.12 Gate A20 Option

This field configures how the gate A20 is handled. The gate A20 is a device used to address memory above 1 Mbytes. Initially, the gate A20 was handled via a pin on the keyboard. Today, while keyboards still provide this support, it is more common, and much faster, for the system chipset to provide support for gate A20.

Options	Description
<b>Fast (*)</b>	GateA20 signal supported by core logic
<b>Normal</b>	GateA20 signal supported by keyboard controller

### 3.4.13 Typematic Rate Setting

This field configures how the keyboard is handled. When enabled, the *Typematic Rate (Chars/Sec)* and *Typematic Delay (Msec)* fields will be available.

Options	Enabled / Disabled (*)
---------	------------------------

### 3.4.14 Typematic Rate (Chars/Sec)

This field specifies how many characters will be prompted in one second when a key is pressed continuously.

Options	6 (*) / 8 / 10 / 12 / 15 / 20 / 24 / 30
---------	---

### 3.4.15 Typematic Delay (Msec)

This field specifies the delay between when a key was first pressed and when the acceleration begins.

Options	250 msec (*) / 500 msec / 750 msec / 1000 msec
---------	--

---

### 3.4.16 Security Option

This field configures how the system security is handled. It works conjunction with *SETTING SUPERVISOR / USER PASSWORD* page to control the security level of the system.

Options	Description
<b>Setup (*)</b>	System need password to enter BIOS setup program
<b>System</b>	System need password to boot

### 3.4.17 PS/2 mouse function control

This field configures PS/2 mouse function.

Options	Description
<b>Enabled (*)</b>	
<b>Disabled</b>	

### 3.4.18 PCI / VGA Palette Snoop

This field controls the ability of a primary PCI graphics controller to share a common palette with an ISA/VESA video or MPEG card

Options	Description
<b>Enabled</b>	PCI VGA co-works with ISA MPEG card
<b>Disabled (*)</b>	All cases except above

### 3.4.19 MPS Version Control For OS

This field specifies which version of MPS this motherboard will use.

Options	Description
<b>1.1 (*) / 1.4</b>	

### 3.4.20 Video BIOS Shadow

When enabled, the video BIOS will be copied to system memory and increase the video speed.

Options	Description
<b>Enabled (*) / Disabled</b>	

### 3.4.21 C8000-CBFFF / CC000-CFFFF / D0000-D3FFF Shadow D4000-D7FFF / D8000-DBFFF / DC000-DEFFF Shadow

When enabled, the extended ROM data located at the respective address range will be copied to system memory.

Options	Description
<b>Enabled / Disabled (*)</b>	

### 3.4.22 Assign IRQ for VGA

When enabled, BIOS will assign your Video Graphics Array (VGA) an IRQ (Interrupt Request) level.

Options	Description
<b>Disabled</b>	
<b>Enabled (*)</b>	

---

### 3.4.23 OS Select for DRAM >64MB

When enabled, this field allows you to access the memory that is over 64MB under OS/2.

Options	<b>OS/2</b>
	<b>Non-OS/2 (*)</b>

### 3.4.24 Report No FDD For WIN 95

For a floppy diskless system that runs Windows 95, this field should be set to **Yes**.

Options	<b>Yes</b>
	<b>No (*)</b>

## 3.5 CHIPSET FEATURES SETUP

This setup page is used to specify advanced features available through the chipset. The default settings have been chosen carefully for most operating conditions. **DO NOT change the value of any field in this setup page without full understanding.**

### 3.5.1 Auto Configuration

When enabled, BIOS will divide all the EDO memory into two categories: 50ns DRAM and 60ns DRAM. A set of pre-defined values about DRAM timing will be used for each category. Then the user can assign the correct timing easily. When disabled, user can specify the EDO DRAM timing value.

Note: Some engineering knowledge is needed prior to handling Auto Configuration.

Options	<b>Enabled (*)</b>
	<b>Disabled</b>

### 3.5.2 EDO DRAM Speed Selection

This field selects pre-defined EDO DRAM timing for different speed categories. It is available only when the Auto Configuration field is enabled.

Options	Description
<b>50ns</b>	Pre-defined timing for 50ns EDO DRAM
<b>60ns (*)</b>	Pre-defined timing for 60ns EDO DRAM

### 3.5.3 EDO CAS# MA Wait State

This field specifies the Wait State of EDO DRAM address line. This field is available only when the Auto Configuration field is disabled. **Note:** This field is for experienced users only.

Options	Description
<b>2 (*)</b>	2 system clocks wait state for EDO address line
<b>1</b>	1 system clock wait state for EDO address line

---

### 3.5.4 EDO RASx# Wait State

This field specifies the Wait State of EDO DRAM row address line. This field is available only when the Auto Configuration field is disabled. **Note:** This field is for experienced users only.

Options	Description
2 (*)	2 system clocks wait state for EDO row address line
1	1 system clock wait state for EDO row address line

### 3.5.5 SDRAM CAS Latency Time

This field specifies the SDRAM CAS latency timing parameter (the time from CAS# assertion to data valid). **Note:** This field is for experienced users only.

Options	Description
2	2 system clocks
3 (*)	3 system clocks

### 3.5.6 DRAM Data Integrity Mode

When enabled, the BIOS will use ECC (Error Checking and Correcting) protocol to increase integrity of system data. When ECC is selected, all memory modules used by the system must support ECC.

Options	ECC
	Non-ECC (*)

### 3.5.7 System BIOS Cacheable

When enabled, accesses to the system BIOS will be cached.

Options	Enabled (*)
	Disabled

### 3.5.8 Video BIOS Cacheable

When enabled, access to the video BIOS will be cached.

Options	Enabled
	Disabled (*)

### 3.5.9 Video RAM Cacheable

When enabled, access to the video memory located at A0000H to BFFFFH will be cached.

Options	Enabled
	Disabled (*)

---

### 3.5.10 8 Bit I/O Recovery Time

This field specifies the number of clocks, which the system will delay after the completion of an 8 bit input/output request.

Options      **1 (\*) / 2 / 3 / 4 / 5 / 6 / 7 / NA / 8**

### 3.5.11 16 Bit I/O Recovery Time

This field specifies the number of clocks, which the system will delay after the completion of an 16 bit input/output request.

Options      **1 (\*) / 2 / 3 / NA / 4**

### 3.5.12 Memory Hole At 15M-16M

Some add-in cards need to re-map its resource to a block of main memory address range. Any host cycles that match this memory hole are passed on to the add-in cards.

Options      **Enabled**  
**Disabled (\*)**

### 3.5.13 Passive Release

When enabled, the south bridge PIIX4 will support the Passive Release mechanism when it is a PCI master. The PCI revision 2.1 compliant requires this field to be enabled. This field is for experienced users only.

Options      **Enabled (\*)**  
**Disabled**

### 3.5.14 Delayed Transaction

When enabled, the south bridge PIIX4 will supports the Delayed Transaction mechanism when it is the target of a PCI transaction. The PCI revision 2.1 compliant requires this field to be enabled. This field is for experienced users only.

Options      **Enabled**  
**Disabled (\*)**

### 3.5.15 AGP Aperture Size (MB)

This field specifies the size of system memory that can be used for AGP graphics aperture.

Options      **4 / 8 / 16 / 32 / 64 (\*) / 128 / 256**

### 3.5.16 Set SDRAM Timing By SPD

When Enabled, the system BIOS will reference data of DIMM module EEPROM.

Options      **Enabled (\*)**  
**Disabled**

---

## 3.6 POWER MANAGEMENT SETUP

This setup page specifies power management features.

There are several modes used to save computer's energy:

Doze Mode	The CPU clock will run at slower speed, and all other devices still operate at full speed
Standby Mode	The CPU clock will run at slower speed, and the fixed disk drive will be power off, and the video will be power off, and all other devices still operate at full speed
Suspend Mode	All devices except the CPU will be shut off

Each power saving mode has a respective timer. The value of the timer can be assigned or reloaded and it will count down to zero. When the timer equals to zero, the system will be forced into the related power saving mode. If any predefined signal or event is detected during the timer counting period, the timer will be reloaded automatically.

### 3.6.1 Power Management

Options	Description
<b>Min Saving</b>	When idled for one hour, the system will enter suspend mode
<b>Max Saving</b>	When idled for fifteen minutes, the system will enter suspend mode
<b>User Define (*)</b>	User can specify the timer value of each power saving mode

### 3.6.2 PM Control by APM

When enabled, an Advanced Power Management (APM) protocol will be activated to handle the power saving mode.

Options      **Yes (\*) / No**

### 3.6.3 Video off Method

This field specifies the method that video subsystem used for power saving.

Options	Description
<b>V/H SYNC+Blank (*)</b>	Turn off the vertical and horizontal synchronization ports and write blanks to the video buffer
<b>Blank Screen</b>	Writes blanks to the video buffer only
<b>DPMS</b>	Initial display power management signaling with DPMS

### 3.6.4 Video Off After

This field specifies the power saving mode, which will shut off the video.

Options      **Doze / Standby (\*) / Suspend / NA**

---

### 3.6.5 Doze Mode

This field specifies the time the system enters Doze Mode. It is available only when the Power Management field set to User Define.

Options      **1 Min / 2 Min / 4 Min / 8 Min / 12 Min / 20 Min**  
**30 Min / 40 Min / 1 Hour / Disable (\*)**

### 3.6.6 Standby Mode

This field specifies the time the system enters Standby Mode. It is available only when the Power Management field is set to User Define.

Options      **1 Min / 2 Min / 4 Min / 8 Min / 12 Min / 20 Min**  
**30 Min / 40 Min / 1 Hour / Disable (\*)**

### 3.6.7 Suspend Mode

This field specifies the time the system enters power saving mode. It is available only when the Power Management field is set to User Define.

Options      **1 Min / 2 Min / 4 Min / 8 Min / 12 Min / 20 Min**  
**30 Min / 40 Min / 1 Hour / Disable (\*)**

### 3.6.8 HDD Power Down

This field specifies the time the system enters HDD power down. It is available only when the Power Management field is set to User Define.

Options      **1 Min / 2 Min / 3 Min / 4 Min / 5 Min / 6 Min**  
**7 Min / 8 Min / 9 Min / 10 Min / 11 Min / 12 Min**  
**13 Min / 14 Min / 15 Min / Disable (\*)**

### 3.6.9 HDD Power Down When suspend

This field specifies the time the system enters HDD power down during the suspend mode only.

Options      **Enabled (\*)**  
**Disabled**

### 3.6.10 Throttle Duty Cycle

This field specifies system performance when system is in suspend mode. More performance, less energy saved.

Options      **Disabled**  
**12.5-25%**  
**37.5-50%**  
**50-62.5% (\*)**



---

### 3.6.11 PCI/VGA ACT-Monitor

When enabled, the system goes into power saving mode if there's no activity on the monitor screen. When disabled, the system goes into power saving mode, whether or not there is activity on the monitor screen.

Options	<b>Enabled (*)</b>
	<b>Disabled</b>

### 3.6.12 Soft-Off by PWR-BTTN

This field specifies the function of power button.

Options	Description
<b>Instant-Off</b>	When power button pressed, turn off the system immediately.
<b>Delay 4 Sec.</b>	Turn off the system after the power button has been pressed for four seconds.

### 3.6.13 Wake Up On LAN

When enabled, the PC can power-on or "wake up" through LAN (Local Area Network). Used only when your PC is connected to a network system.

Options	<b>Enabled</b>
	<b>Disabled (*)</b>

### 3.6.14 Power-On By Ring

When enabled, the PC can power-on through an external modem connected to your PC. For example, you may send an e-mail message to your PC from another location, and this will power-on your PC. When using this feature, you must have a modem, and your PC must be turned off.

**Note:** This feature alone doesn't allow you to power off your PC (see 4.6.10 Suspend Mode).

Options	<b>Enabled</b>
	<b>Disabled (*)</b>

### 3.6.15 Resume by Alarm

When enabled, you can set the date and time to automatically power-on your PC (similar to an alarm clock). The alarm from RTC (real-time clock) automatically turns on the system.

Options	Description
<b>Disabled (*)</b>	Disables RTC alarm function
<b>Enabled</b>	Sets the date and time to power-on the PC.
	When date is set to 0, the alarm becomes set for every day.

---

### 3.6.16 IRQ 8 Break Suspend

When disabled, this feature allows the system to go into suspend mode. When enabled, IRQ 8 (RTC) is broken, and the system cannot go into suspend mode.

Options      **Enabled**  
                 **Disable (\*)**

### 3.6.17 Reload Global Timer Events

This field configures the events to reload the power saving mode timer.

#### **IRQ [3-7,9-15], NMI**

If enabled, timer will be reloaded when any of these interrupts occurs.

#### **Primary IDE 0**

If enabled, timer will be reloaded when master disk of primary IDE channel is active.

#### **Primary IDE 1**

If enabled, timer will be reloaded when slave disk of primary IDE channel is active.

#### **Secondary IDE 0**

If enabled, timer will be reloaded when master disk of secondary IDE channel is active.

#### **Secondary IDE 1**

If enabled, timer will be reloaded when slave disk of secondary IDE channel is active.

#### **Floppy Disk**

If enabled, timer will be reloaded when floppy disk is active.

#### **Serial Port**

If enabled, timer will be reloaded when serial port is active.

#### **Parallel Port**

If enabled, timer will be reloaded when parallel port is active.

## 3.7 PNP/ PCI CONFIGURATION

This setup page specifies Plug and Play and PCI features

### 3.7.1 PNP OS Installed

The field specifies whether a Plug and Play operating system is installed.

Options      **Yes / No (\*)**

---

### 3.7.2 Resources Controlled By

The BIOS has the capability to assign the system resource to all of the boot and Plug and Play devices. However, this capability means absolutely nothing unless you are using a Plug and Play operating system such as Windows® 95.

Options	Description
<b>Auto</b>	Resource controlled by BIOS automatically
<b>Manual (*)</b>	Resource controlled by the user

### 3.7.3 Reset Configuration Data

When enabled, the extended configuration data (ESCD) will be cleared during each boot time.

Options	Enabled / Disabled (*)
---------	------------------------

### 3.7.4 IRQ 3 / 4 / 5 / 7 / 9 / 10 / 11 / 12 / 14 / 15 assigned to

#### DMA 0 / 1 / 3 / 5 / 6 / 7 assigned to

If the *Resources Controlled By* field is set as *Manual*, these resource fields can be assigned by the user.

Options	Description
<b>Legacy ISA</b>	Resource will not be assigned to any PnP device
<b>PCI/ISA PnP</b>	Resource is available to PnP devices

### 3.7.5 Used MEM base addr

Some add-in cards ask for a special range of the system address space. This field specifies the base address of the memory address space.

Options	N/A (*) / C800 / CC00 / D000 / D400 / D800 / DC00
---------	---

#### 3.7.5.1 Used MEM Length

This field is available only when the *Used MEM base addr* field has been assigned to a base address. It specifies the memory size for the add-in card used.

Options	8K (*) / 16K / 32K / 64K
---------	--------------------------

### 3.7.6 Assign IRQ For USB

When disabled, the BIOS will not assign IRQ channel to USB controller.

Options	Enabled (*) / Disabled
---------	------------------------

---

## 3.8 INTEGRATED PERIPHERALS

### 3.8.1 IDE HDD Block Mode

When enabled, the IDE controller will use the faster block mode to access devices.

Options      **Enabled (\*) / Disabled**

### 3.8.2 IDE Primary Master / Slave PIO

#### IDE Secondary Master / Slave PIO

These fields configure the PIO (Programmable Input Output) transfer mode for IDE controller. The maximum transfer rate of each PIO mode are listing as follow:

	Maximum transfer rate
PIO Mode 0	3.3 MB/sec
PIO Mode 1	5.2 MB/sec
PIO Mode 2	8.3 MB/sec
PIO Mode 3	11 MB/sec
PIO Mode 4	16.6 MB/sec

Options	Description
<b>Auto (*)</b>	The BIOS negotiates with device automatically
<b>Mode 0</b>	Use Mode 0 timing to access device
<b>Mode 1</b>	Use Mode 1 timing to access device
<b>Mode 2</b>	Use Mode 2 timing to access device
<b>Mode 3</b>	Use Mode 3 timing to access device
<b>Mode 4</b>	Use Mode 4 timing to access device

### 3.8.3 IDE Primary Master / Slave UDMA

#### IDE Secondary Master / Slave UDMA

When selected *Auto*, the IDE controller will use Ultra DMA 33 Mode to access device if the device supports it. The maximum transfer rate of Ultra DMA 33 Mode is 33.3 MB/sec.

Options      **Auto (\*) / Disabled**

### 3.8.4 On-Chip Primary / Secondary PCI IDE

These fields enable or disable the onboard IDE controller.

Options      **Enabled (\*) / Disabled**

---

### 3.8.5 USB Keyboard Support

This field enables or disables the USB keyboard supported.

Options      **Enabled / Disabled (\*)**

### 3.8.6 KBC input clock

Set the frequency for the keyboard controller input clock.

Options      **8 MHz (\*) / 12 MHz / 16MHz.**

### 3.8.7 Onboard FDC Controller

This field enables or disables the onboard floppy controller.

Options      **Enabled (\*) / Disabled**

### 3.8.8 Onboard Serial Port 1 / 2

These fields configure the onboard serial ports. There are several port address and IRQ channels that can be selected.

Options	Description
<b>3F8 / IRQ 4</b>	Port address 3F8h, IRQ 4
<b>2F8 / IRQ 3</b>	Port address 2F8h, IRQ 3
<b>3E8 / IRQ 4</b>	Port address 3E8h, IRQ 4
<b>2E8 / IRQ 3</b>	Port address 2E8h, IRQ 3
<b>Auto</b>	BIOS assigns port address and IRQ channel automatically
<b>Disabled</b>	Disables serial port

### 3.8.9 Onboard Parallel Port

This field configures the onboard parallel port. There are several port addresses and IRQ channel that can be selected.

Options	Description
<b>378 / IRQ 7</b>	Port address 378h, IRQ 7
<b>278 / IRQ 5</b>	Port address 278h, IRQ 5
<b>3BC / IRQ 7</b>	Port address 3BCh, IRQ 7
<b>Disabled</b>	Disable parallel port

### 3.8.10 Parallel Port Mode

This field configures the operating mode of onboard parallel port.

Options      **SPP (\*) / EPP / ECP / ECP+EPP**

---

### 3.8.10.1 ECP Mode Use DMA

When the *Parallel Port Mode* field is configured as *ECP*, *ECP+EPP* mode, it need a DMA channel for data transfer. This field specifies the DMA channel for ECP parallel port use.

Options	Description
<b>1</b>	Use DMA channel 1
<b>3 (*)</b>	Use DMA channel 3

### 3.8.10.2 EPP Mode Select

When the *Parallel Port Mode* field is configured as *EPP*, *ECP+EPP* mode, the EPP version can be specified by this field.

Options	Description
<b>EPP1.7</b>	Use EPP 1.7 protocol
<b>EPP1.9 (*)</b>	Use EPP 1.9 protocol

### 3.8.11 Onboard PCI SCSI Chip

This field configures the onboard SCSI BIOS. When disabled, the system will skip the SCSI BIOS initialization, but you can still use the SCSI channels by using the device drivers.

Options	Enabled (*) / Disabled
---------	------------------------

### 3.8.12 Init Display First

This item allows you to decide which slot to activate first, either PCI slot or AGP slot. This function takes place during the system boot.

Options	PCI Slot
	<b>AGP (*)</b>

### 3.8.13 Power-On Function

This field configures the Power-On mode of the system. If a power outage occurs, you need to re-configure this field. To ensure proper set up, allow the system to complete its reboot process (including the Power-On Self Test) before powering off computer.

Note: This feature only supports PS/2 keyboard and PS/2 mouse. It does not work with USB keyboard or serial mouse.

Options	Description
<b>Hot KEY</b>	You can assign a hot key through the Hot Key Power-On field. Pressing this hot key will power-on your system.
<b>Password</b>	You can assign a password string through KB Power-On Password field. Typing this password string will power-on your system. <b>Note:</b> The Power-On button will not function in this mode.
<b>Mouse left</b>	“Double-Clicking” the left button on your mouse will automatically power-on your system.

---

<b>Mouse right</b>	“Double-Clicking” the right button on your mouse will power-on your system.
<b>Button only</b>	Simply power-on your system by pressing the Power-On button on the front panel of your PC case.
<b>Keyboard 98</b>	Enables Keyboard 98 function. This function is good only for users of Keyboard 98.

### 3.8.13.1 Hot Key Power-On

This field specifies key selection for the Keyboard-Power-On hot key.

Options      **Ctrl-F1 / Ctrl-F2 / Ctrl-F3 / Ctrl-F4 / Ctrl-F5 / Ctrl-F6**  
**Ctrl-F7 / Ctrl-F8 / Ctrl-F9 / Ctrl-F10 / Ctrl-F11 / Ctrl-F12**

### 3.8.13.2 KB Power-On Password

Enter your Keyboard-Power-On password in this field if you wish to use this function.

## 3.8.14 PWRON After PWR-Fail

The field configures the system status after experiencing a power failure.

Options	Description
<b>Former-Sts</b>	System returns to former status prior to power failure (on or off)
<b>On</b>	System turns back on after power lost
<b>Off (*)</b>	System remains off after power lost

## 3.9 LOAD SETUP DEFAULTS

This setup page is used for loading the manufacturer default values.

## 3.10 IWILL SMART SETTING

**Warning:** Over-clocking is not guaranteed. Users must have substantial knowledge of proper Vcore settings prior to adjusting CPU speeds. Over-clocking should be done only by experienced engineers who conduct tests.

In general, when adjusting the CPU frequency, you should select the frequency that matches your motherboard bus speed. The reason is that your CPU can only communicate with its external components at the same speed at which the components operate. In other words, if your motherboard bus speed is 100 MHz, you should start by selecting 100 MHz (as a “base”) to set the CPU frequency. This frequency is also referred to as the “system bus frequency” or **external frequency**.

However, the CPU manufacturers make CPUs much faster than the speed of the motherboard system bus frequency. This is true because most of the operations are done in a small die inside the CPU chip. This is the CPU **internal frequency**. For example, a 400 MHz CPU actually means the **internal frequency** runs at 400 MHz.

---

To understand the term **multiplier**, and how it applies to setting your CPU frequency, here's an example: If you purchase a 400 MHz CPU, and your motherboard runs at 100 MHz system bus speed, adjust your CPU frequency by selecting 100 MHz (system bus frequency) x 4 (**multiplier**), which equals 400 MHz (your CPU frequency). Or, to install the same 400 MHz CPU into motherboard with 66 MHz system bus speed, you may be select 66 MHz (system bus frequency) x 6 (**multiplier**), which equals 400 MHz (your CPU frequency). However, the fact is, a higher system bus frequency runs faster and has a much better performance than a slower system bus frequency.

### 3.10.1 CPU Speed

This field allows user to adjust CPU speed.

Options      **233 (66x3.5) / 266 (66x4) / 300 (66x4.5) / 333 (66x5) / 366 (66x5.5) / 400 (66x6) / 433 (66x6.5) / 466 (66x7) / 500 (66x7.5) / 533 (66x8) / Manual**  
**300 (100x3) (\*) / 350 (100x3.5) / 400 (100x4) / 450 (100x4.5) / 500 (100x5) / 550 (100x 5.5) / 600 (100x6) / 650 (100x6.5) / 700 (100x7) / 750 (100x7.5) / 800 (100x8) / Manual**

#### 3.10.1.1 Manual

This option sets the CPU speed.

In this field, the CPU speed is indicated as such:

**CPU speed = CPU Frequency x CPU Ratio**, select the CPU speed according the type and the speed of your CPU.

#### CPU Frequency

Option      **66/68/75/83/100/103/112/133 MHz**

#### CPU Ratio:

Option      **3/3.5/4/4.5/5/5.5/6/6.5/7/7.5/8**

### 3.10.2 Auto Detect DIMM/PCI Clk

When enabled, the DBL100 motherboard will automatically disable the clock source for a DIMM socket, which does not have a module on it. This is true for all PCI slots.

Options      **Enabled (\*)**  
**Disabled**

### 3.10.3 Spread Spectrum

This item configures radiation emitted from the system. When enabled, system will release less radiation.

Options      **Enabled**  
**Disabled (\*)**

## 3.11 SUPERVISOR / USER PASSWORD SETTING

These setup pages are used for password setting. Note that the User Password can enter BIOS setup program, but has no rights to change the value of any fields.



---

When a password has been enabled and the *Security Option* field is set as *Setup*, you will be prompted to enter the password every time you try to enter BIOS Setup program. This prevents an unauthorized person from changing any part of your system configuration. Additionally, if the *Security Option* field is set as *Boot*, the BIOS will request a password every time your system boot. This would prevent unauthorized use of your computer.

To disable a password, just press <Enter> when you are prompted to enter the new password. A message will confirm that the password is disabled. Once the password is disabled, the system will boot and you can enter setup program freely.

### **3.12 IDE HDD AUTODETECTION**

This setup page detects and configures hard disk parameters automatically.

### **3.13 SAVE & EXIT SETUP**

Save current CMOS value and exit BIOS setup program.

### **3.14 EXIT WITHOUT SAVING**

Abandon all CMOS value changes and exit BIOS setup program.

---

# Chapter 4

## SCSI BIOS Setup

### 4.1 Introduction

The motherboard has an configuration utility, *SCSISelect*, which allows you to change SCSI controller settings. *SCSISelect* also includes SCSI utilities that let you list the SCSI IDs of devices, format SCSI disk drives, and check them for defects.

#### 4.1.1 Enter *SCSISelect* utility

To enter the *SCSISelect* utility, boot the computer and press <Ctrl><A> when the following message appears:

Press <Ctrl><A> for *SCSISelect*™Utility !

#### 4.1.2 Using *SCSISelect* utility

The following table shows the function keys available for menu screens.

<Esc>	Go back to previous screen or exit <i>SCSISelect</i> utility
<Enter>	Select an option
<Up>	Move to the previous field
<Down>	Move to the next field
<F5>	Switch between color and monochrome
<F6>	Reset to default

Before the main screen is displayed, you must first select SCSI channel to configure. After you select the channel and press <Enter>, the main screen is displayed.

### 4.2 Configure/View Host Adapter Settings

When selected, this brings up the Configuration Menu.

#### 4.2.1 Host Adapter SCSI ID

The default SCSI ID of host controller is 7, which gives the channel the highest priority on the SCSI bus. We recommend that you leave this ID at 7.

Options      0 / 1 / 2 / 3 / 4 / 5 / 6 / 7 (\*) / 8 / 9 / 10 / 11 / 12 / 13 / 14 / 15

---

## 4.2.2 SCSI Parity Checking

SCSI parity checking is a procedure used by the channel to verify the accuracy of data transfer on the SCSI bus. By default, parity checking is enabled on all channels. Disable parity checking for a channel if any SCSI device on the channel does not support SCSI parity.

Options      **Enabled (\*) / Disabled**

## 4.2.3 Host Adapter SCSI Termination

This field configures the SCSI termination of the LEAGCY channel. Note that the terminator of the LVD/SE channel is always enabled.

Options	Description
<b>Low ON/High ON</b>	Enable both High and Low terminators
<b>Low OFF/High ON</b>	Disable the Low terminator and enable the High terminator
<b>Low OFF/High OFF</b>	Disable both High and Low terminators

## 4.2.4 Boot Device Options

Press <Enter> to bring up Boot Device menu.

### 4.2.4.1 Boot SCSI ID

This field specifies the SCSI ID of the device from which you wish to boot.

Options      **0 (\*) / 1 / 2 / 3 / 4 / 5 / 6 / 7 / 8 / 9 / 10 / 11 / 12 / 13 / 14 / 15**

### 4.2.4.2 Boot LUN Number

This field specifies which LUN to boot from on the boot device if the boot device has multiple LUNs and *Multiple LUN Support* field is enable.

Options      **0 (\*) / 1 / 2 / 3 / 4 / 5 / 6 / 7**

## 4.2.5 SCSI Device Configuration

Press <Enter> to bring up SCSI Device Configuration menu.

### 4.2.5.1 Initiate Sync Negotiation

Synchronous negotiation is a SCSI feature that allows the SCSI channel and its attached SCSI devices to transfer data in synchronous mode. Synchronous data transfer is faster than asynchronous data transfer. The *Initiate Sync Negotiation* field determines whether the channel initiates synchronous negotiation with the SCSI device.

Options      **yes (\*) / no**

---

#### 4.2.5.2 Maximum Sync Transfer Rate (MB/Sec)

This field specifies the maximum synchronous data transfer rate that the channel supports.

Options        **80.0 (\*) / 53.4 / 40.0 / 32.0 / 26.8 / 20.0 / 16.0 / 13.4 / 10.0**

#### 4.2.5.3 Enable Disconnection

This field specifies whether the channel allows a SCSI device to disconnect from the SCSI bus. Enabling disconnection allows the channel to perform other operations on the SCSI bus while the SCSI device is temporarily disconnected.

Options        **yes (\*) / no**

#### 4.2.5.4 Initiate Wide Negotiation

This field specifies whether the channel attempts 16-bit instead of 8-bit data transfer.

Options        **yes (\*) / no**

#### 4.2.5.5 Send Start Unit Command

This field specifies whether the channel sends the *Start Unit* command to the SCSI device. Enabling this option reduces the load on the computer's power supply by allowing the channel to turn on SCSI devices one-at-a-time when the computer boots. Otherwise, all SCSI devices turn on at the same time.

Options        **yes / no (\*)**

#### 4.2.5.6 BIOS Multiple LUN Support

When enabling, the SCSI BIOS support multiple LUN on a SCSI device. Otherwise, the SCSI BIOS can recognize LUN 0 only.

Options        **yes / no (\*)**

#### 4.2.5.7 Include in BIOS Scan

This field specifies whether the SCSI BIOS supports devices attached to the SCSI bus without the need for device driver software. When selected *yes*, the SCSI BIOS controls the SCSI device. This option can be useful when changing boot order.

Options        **yes (\*) / no**

### 4.2.6 Advanced Configuration Options

#### 4.2.6.1 Plug and Play SCAM Support

SCAM is a method that participating SCSI devices on a bus, which is used to dynamically assign SCSI IDs. Some legacy devices can not reside on a SCSI bus where SCAM protocols execute. Select *Disabled* if such a device is attached to the SCSI bus.

Options        **Enabled / Disabled (\*)**

---

#### 4.2.6.2 Reset SCSI Bus at IC Initialization

If the SCSI BIOS is enabled, it always resets the SCSI bus when you reboot the computer and then scans for SCSI devices. This field specifies whether the BIOS waits 2 seconds after resetting the bus before scanning the bus for SCSI devices. At the default setting, *enabled*, the BIOS waits 2 seconds.

Options      **Enabled (\*) / Disabled**

#### 4.2.6.3 Extended BIOS Translation for DOS Drives > 1 GByte

Most versions of MS-DOS are limited to 1024 cylinders per drive. The standard translation scheme for SCSI host adapter, using 64 heads and 32 sectors, provides a maximum accessible capacity of 1 Gbytes. To support disk drives larger than 1 Gbyte, the SCSI BIOS includes an extended translation scheme. This scheme supports disk drives as large as 8 Gbytes under MS-DOS. With extended translation enabled, drives handled by the SCSI BIOS use extended translation if their formatted capacity is greater than 1 Gbyte, and drives smaller than 1 Gbyte use the standard translation.

Note that the data on all attached hard drives will be lost when you change from one scheme to another. You should use extended translation only with MS-DOS, Windows 95, Windows NT (FAT), OS/2 and you do not need to enable this option if you are using another operating system such as NetWare or UNIX.

Options      **Enabled (\*) / Disabled**

#### 4.2.6.4 Host Adapter BIOS

This field enables or disables the SCSI BIOS for all channels. The SCSI BIOS must be enabled if you want the computer to boot from a SCSI hard disk drive connected to a channel. In addition, the BIOS must be enabled if you want to use any of the following options:

*Support Removable Disks Under BIOS as Fixed Disks*

*Extended BIOS Translation for DOS Drives > 1 Gbyte*

*Display <Ctrl><A> message During BIOS Initialization*

*BIOS Support for Bootable CD-ROM*

*BIOS Support for Int13 Extension*

If the devices on the SCSI bus are controlled by device drivers (and therefore do not need a BIOS), you can disable the SCSI BIOS to free memory and shorten the boot time.

Options      **Enabled (\*) / Disabled**

---

#### 4.2.6.5 Support Removable Disks Under BIOS as Fixed Disks

This field specifies which removable-media drives are supported by the SCSI BIOS. If a removable-media SCSI device is handled by the BIOS, do not remove the media while the drive is on or you might lose data.

Options      **Boot Only (\*) / All Disks / Disabled**

#### 4.2.6.6 Display <Ctrl><A> Message During BIOS Initialization

This field turns on or off the “Press <Ctrl><A> for SCSISelect™Utility !” prompt at boot.

Options      **Enabled (\*) / Disabled**

#### 4.2.6.7 BIOS Support for Bootable CD-ROM

When enabled, the SCSI controller supports booting from a CD-ROM drive.

Options      **Enabled (\*) / Disabled**

#### 4.2.6.8 BIOS Support for Int 13 Extensions

This field enables or disables support for disks with more than 1024 cylinders. In order to boot from “El Torito” non-emulation CD-ROM, this field must be set to *Enabled*.

Options      **Enabled (\*) / Disabled**

### 4.3 SCSI Disk Utilities

When this option is selected, SCSISelect scans the SCSI bus to determine the devices installed and displays a list of all SCSI IDs and the devices assigned to each ID. Once you select a specific ID, a small menu appears, displaying two options: *Format Disk* and *Verify Disk Media*.

#### 4.3.1 Format Disk

A disk drive must have a low-level format before you can use the operating system’s partitioning and high-level formatting utilities, such as MS-DOS *fdisk* and *format*. Most SCSI drives are preformatted and do not need to be formatted again. If a drive is not preformatted, you can use SCSISelect’s *Format Disk* option to perform a low-level format on the drive.

A low-level format destroys all data on the drive and you can not abort a low-level format once it starts.

#### 4.3.2 Verify Disk Media

The *Verify Disk Media* option scans the selected device’s media for defects. If the utility finds bad blocks, it prompts you to reassign them so they are no longer used.

Press <Esc> at any time to abort the utility.

---

# Chapter 5

## Software and Tools

### 5.1 Software Installation

The attached Power Installer CD contains all the necessary drivers, utilities and tools for Iwill's full range of motherboards. It provides an easy way for users to install the needed drivers without going through a complicated process. The Power Installer CD is able to auto-detect and display the drivers, utilities and tools needed for your motherboard.

Note: Not all drivers or utilities can be used on this motherboard.

#### 4.1.1 What's inside Power Installer CD (needed for the DBL100 motherboard)

##### 1. Drivers

- a. Intel PIIX4 Patch Program
- b. Intel IDE Bus Master Driver

##### 2. Utilities

- a. McAfee Anti-Virus

##### 3. Tool

- a. Adobe Acrobat Reader

##### 4. Make Driver Diskettes

##### 5. Manuals

#### 5.1.2 How to use the Power Installer CD

The Power Installer CD supports the Auto Run program used by Windows 98/95 and Windows NT operating systems. You may simply select the software shown on screen that needs to be installed. Then simply follow the messages displayed on the screen to complete setup.

Note: Iwill PowerInstaller does not support a keyboard at this moment. You must use a mouse to install it.

### 5.2 How to make driver diskette without O.S. installed

This bootable Power Installer CD also allows you to boot up your system, even when the OS has not been installed. During the boot-up process, you can perform "Iwill Diskette Creator," which will automatically make the driver diskettes you need.

Note: At least one CD-ROM drive and one 1.44M floppy drive are necessary to make "Iwill Diskette Creator" work properly.

---

Follow the instructions below to make your own device driver floppy diskettes if you have a CD-ROM with IDE interface. If you have already installed SCSI CD-ROM, please make sure your SCSI host adapter supports bootable CD-ROM, and then proceed directly to step h, and then finish the procedure.

- a. First, power-on or “boot” your system.
- b. Press <Del> key during boot sequence to enter “ **CMOS Setup Utility**”
- c. Use arrow keys to select “**BIOS FEATURES SETUP**” on the menu, then press “Enter.”
- d. Select “**Boot Sequence**” and change the default setting from A, C, SCSI to “**CD-ROM, C, A**” using Page Up /Page Down key.
- e. Press <Esc> key to go back to CMOS SETUP Utility menu.
- f. Press <F10> to select “Save and Exit Setup”
- g. Press “Y” then “Enter” to complete. Now you are able to boot up the system from the CD-ROM.
- h. Insert the Power Installer CD into the CD-ROM drive and re-start the computer.
- i. Iwill Diskette Creator will now execute automatically for making your own driver diskettes.
- j. Make the desired driver diskettes according to the instructions displayed on screen.

## 5.3 View Detailed Manual

This Power Installer CD includes detailed information of all Iwill manuals for every motherboard manufactured by Iwill. Please insert the Iwill Power Installer CD into the CD-ROM drive; the Auto Run program will display the main manual automatically. Click the “View Manual” item, and select the product you want to view, and the manual will be displayed.

## 5.4 CPU frequency selection by BIOS

### CPU frequency selection by BIOS

Iwill DBL100 motherboard offers the Iwill Smart Setting for CPU selection.

Warning: Over-clocking is not guaranteed. Users must have substantial knowledge of proper Vcore settings prior to adjusting CPU speeds. Over-clocking should be done only by experienced engineers who conduct tests.

#### Through Software -- BIOS setting

In case there is a special need for over-clocking, please ...

- a. First, power-on or “boot” your system.
- b. Press <Del> key during boot sequence to enter “ **CMOS Setup Utility**”
- c. Select **IWILL SMART SETTING**
- d. Select **CPU Speed**
- e. Use page down/page up key to select



---

233 (66x3.5) / 266 (66x4) / 300 (66x4.5) / 333 (66x5) / 366 (66x5.5) / 400 (66x6) /  
433 (66x6.5) / 466 (66x7) / 500 (66x7.5) / 533 (66x8) / Manual

300 (100x3) (\*) / 350 (100x3.5) / 400 (100x4) / 450 (100x4.5) / 500 (100x5) / 550  
(100x 5.5) / 600 (100x6) / 650 (100x6.5) / 700 (100x7) / 750 (100x7.5) / 800 (100x8)  
/ Manual

- f. After selecting CPU speed, press **Save & Exit CMOS Setup** to complete. The system will automatically re-boot.

Should your CPU fail to over-clock, the screen will become blank and the system will hang (temporarily suspend or “freeze”) while the system attempts to re-boot. If this happens, follow the procedure below:

- a. Press the power button on the front panel to power off the system.
- b. Hold the **INSERT** key down, then press the power button on the case. The system will re-start using 66 MHz as the CPU external frequency.
- c. Press **<Del>** key during boot sequence to enter “**CMOS Setup Utility**” and repeat steps “c” through “F” (See above).

## 5.5 Installing Operating Systems

This section briefly demonstrates how to install a few popular software operating systems. Use this section only as a guide. It is highly recommended that users first refer to the installation manual of their operating system for a more thorough, detailed description on how to install software.

### 5.5.1 Windows 98

Whenever installing Windows 98, please remember that Setup creates a new folder for Windows 98, and won't transfer any existing system settings. Windows 98 will become your default operating system, and will use standard system settings. This procedure represents an entirely new installation of Windows, therefore you'll need to reinstall any existing programs you may want to use.

There are two ways to install Windows 98. Each method depends on your current computer setup.

Note: During Setup, your computer will automatically restart several times using the Windows 98 Setup wizard.

#### 5.5.1.1 Installing the CD-ROM version of Windows 98

1. Place a Windows 98 Startup Disk into the floppy disk drive.
2. Restart your computer.

The Microsoft Windows 98 Startup menu will appear.

3. Place the Windows 98 CD into your CD-ROM drive.
4. Type the number **1** and press **<ENTER>**.

A series of scans is performed, and then the MS-DOS prompt is displayed.

5. Type the word **setup** at the MS-DOS display, and press **<ENTER>**.

Setup performs a check (A message will be displayed).

This message won't appear if your computer can't locate your CD-ROM drive. If you

---

haven't installed the correct CD-ROM driver, please consult your drive's documentation or contact your hardware manufacturer.

6. Press <ENTER>.

Microsoft ScanDisk will check your disk drives for errors.

7. When ScanDisk finishes, press the **X** key.  
Setup will initialize. Then, Windows 98 Setup begins.
8. Please follow the instructions that are displayed.

Note: Setup may ask you to insert your original Windows 95 or Windows 3.1 disks if you're using the upgrade version of Windows 98.

#### 5.5.1.2 Installing the floppy disk version of Windows 98

1. Place Setup disk 1 into your floppy disk drive.
2. Restart your computer.
3. At the MS-DOS prompt, type the word **setup** and press <ENTER>.  
The Windows 98 Setup wizard will begin.
4. Please follow the instructions that appear.

### 5.5.2 Windows NT

#### 5.5.2.1 Installing the CD-ROM version of Windows NT using SCSI controller

1. Prepare a 1.44MB blank diskette
2. Enable CD-ROM Bootable and Set boot sequence first priority is CD-ROM.
3. Place the Iwill Power Installer CD into the CD-ROM drive
4. Boot from Iwill Power Installer to create Windows 9x/NT driver diskette from CD-ROM by selecting FMS Disk1 for **Win95/NT**
5. Place the Windows NT 4.0 CD-ROM in the drive.
6. Press <F6> when the screen show following messages: Setup is inspecting your computer's hardware configuration ...
7. Press <S> to specify additional SCSI adapters.
8. Select <Other> to load manufacture supplied software driver.
9. Place **the SCSI driver diskette for Windows NT 4.0** into the floppy drive.
10. Press <ENTER> when SCSI driver is ready.
11. From list select the proper SCSI controller driver:
12. **Example: Adaptec AHA-294xU2/295xU2/395xU2/AIC-789xPCI SCSI Controller (NT 4.0)**
13. Press <ENTER> to continue if you have no other SCSI controller to install. Or, repeat steps 3-7 to install all drivers as needed.
14. Follow all instruction to finish Windows NT installation.

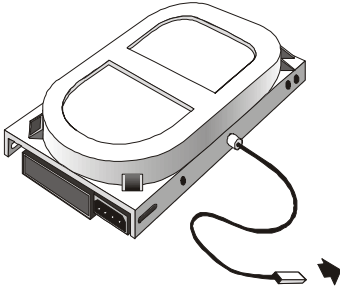
---

5.5.2.2 Installing the CD-ROM version of Windows NT on an IDE system

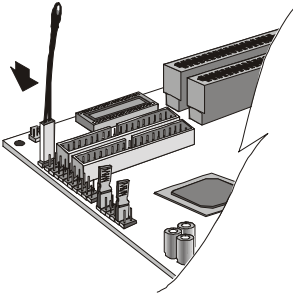
1. First, power-on or “boot” your system.
2. Press <Del> key during boot sequence to enter “ CMOS Setup Utility”
3. Use arrow keys to select “BIOS FEATURES SETUP” on the menu, then press “Enter.”
4. Select “Boot Sequence” and change the default setting from **A, C, SCSI** to **CD-ROM, C, A** using Page Up /Page Down key.
5. Place the Windows NT 4.0 CD-ROM in the drive.
6. Follow all instructions to finish Windows NT installation.

---

## 5.6 How to use the Thermal sensor



Detects all heat-releasing devices. Firmly screw the connector to any device.



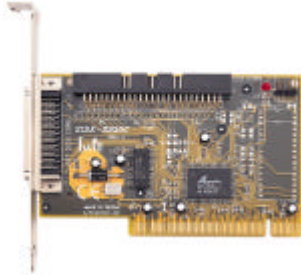
Detects system temperature.  
NO NEED to contact this thermostat to any device.  
Leave it on the motherboard.

---

## 5.7 Iwill SCSI series

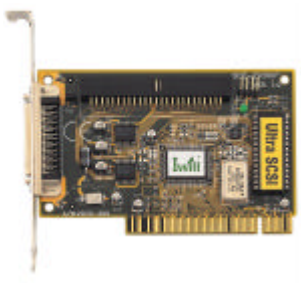
If you want to improve I/O performance of your DBL100 , choose the latest Iwill SCSI controllers. The following are some Iwill SCSI controllers you may purchase, and use with your DBL100 motherboard:

**SIDE 2930C:** an economical SCSI card, and connects up to 7 device



- Support SCSI-1, SCSI-2 protocol
- 10 MB/sec. Data transfer rate
- The best choice for CD-ROM, CD-R, CD-R/W, MO, Scanner .etc.
- Connects maximum 7 narrow SCSI devices
- Automatic active termination control for easy plug & play installation.

**SIDE 2930U+:** a 20MB/sec. transfer rate, this card also connects up to 7 devices



- Supports SCSI-1, SCSI-2 and Ultra SCSI protocol
- Up to 20 MB/sec synchronous data transfer rate
- Connects maximum narrow SCSI devices
- Automatic active termination control for easy plug & play installation
- Supports Multi-tasking, Multi-threaded, scatter/gather, tagged queuing

**SIDE 2935UW:** this doubles the 2930U+; a 40 MB/sec transfer rate, connects up to 15 devices



- Support both Ultra Narrow (50-pin) and Ultra Wide (68-pin) SCSI
- Data transfer rate up to 20 MB/sec and 40 MB/sec respectively
- Able to connect up to 15 Ultra Wide SCSI devices
- Active terminator
- Able to boot from CD-ROM

---

**SIDE 2935LVD:** an 80MB/sec. transfer rate, and a 12-meter cable length connecting 15 devices



- Double the data transfer rate of Ultra Wide SCSI to 80 MB/sec
- Up to 12 meters cable length for Ultra 2 devices
- Able to connect up to 15 devices
- Able to boot from any SCSI ID
- Able to boot from CD-ROM

