



User's Manual

Menu

1. Introduction	
Product Description	Page.2
Package Contents	Page.2
Product Features	Page.2
Cleaning	Page.3
Precautions	Page.3-4
2. Control Function	
Control Button Front View	Page.5
OSD Control	Page.6-9
3. Inputs Diagram	
Inputs	Page.10
Installation	Page.11
4. Display Angle	Page.12
5. Product Specification	Page.13
6. Display Modes	Page.14
7. Service Information	Page.15

Introduction

Product Description

Congratulations on your purchasing this new generation of monitor. Your LCD monitor incorporates high quality display into a small light weighted module. It has power-saving capabilities and emits no X-ray radiation. You will certainly benefit from this monitor in lots of ways; to name some of them, comfort, safety, and environmental protection.

This LCD monitor incorporates 15" color active matrix thin-film-transistor (TFT) liquid crystal display to provide superior display performance. A maximum resolution of XGA 1024 x 768 is ideal for displaying complex graphics and high definition images. Other outstanding designs that enhance this LCD monitor's performance are Plug & Play compatibility, audio system and OSD (On Screen Display) controls.

Package Contents

Included with your LCD monitor are following items :

- 15" TFT LCD monitor
- 15 pin D-sub signal cable
- AC power cable
- Adaptor
- Audio Cable
- CD (User's Manual)
- Quick Setup Guide

Product Features

- High contrast color TFT LCD display support resolution up to XGA 1024 x 768.
- Compatible with IBM VGA, VESA, and Macintosh standards.
- Imbedded audio system provides sound performance.
- Power management system conforms to VESA DPMS standard.
- Support DDC1/2B for Plug & Play compatibility.
- Advanced OSD control for picture quality adjustment.
- Detachable stand for wall-mounting application.

Cleaning

1. Gently wipe screen with a clean camel hair lens brush, or a soft, clean, lint-free cloth.
This removes dust and other particles that can scratch the screen.
2. Do not apply pressure to the screen surface when wiping it clean.
3. Do not pour or spray any liquid directly onto the screen or case of the LCD monitor.
Chemical cleaners have been reported to damage the screen or case of the LCD monitor.

Precautions

Read all of these instructions and save them for later use. Follow all warnings and instructions on the product.

Product

1. Do not cover or block the vent holes in the case.
2. Do not insert sharp objects or spill liquid into the LCD monitor through cabinet slots. They may cause accident fire, electric shock or failure.
3. Disconnect the power plug from the AC outlet if you will not use it for an indefinite period of time.
4. Do not attempt to service this product yourself, as opening or removing covers may expose you to dangerous voltage points or other risks.
5. Do not touch the screen directly with your fingers. You may damage the screen, and oil from your skin is difficult to move.
6. Do not apply pressure to screen. The LCD is very delicate.

Power

1. Use the type of power indicated on the marking label.

Plugs

1. Do not remove any of the prongs of the monitor's three-pronged power plug.
2. Disconnect the power plug from the AC outlet under following conditions :
 - If you will not use it for an indefinite period time.
 - When the power cord or plug is damaged or frayed.
 - If the product does not operate normally when the operating instructions are followed.
Adjust only those controls that are covered by the operating instructions. Improper adjustment of other controls may result in damage and will often require extensive work by a qualified technician to restore the product to normal operation.
 - If the product has been dropped or the cabinet has been damaged.
 - If the product exhibits a distinct change in performance, indicating a need for service.

Power and extension cords

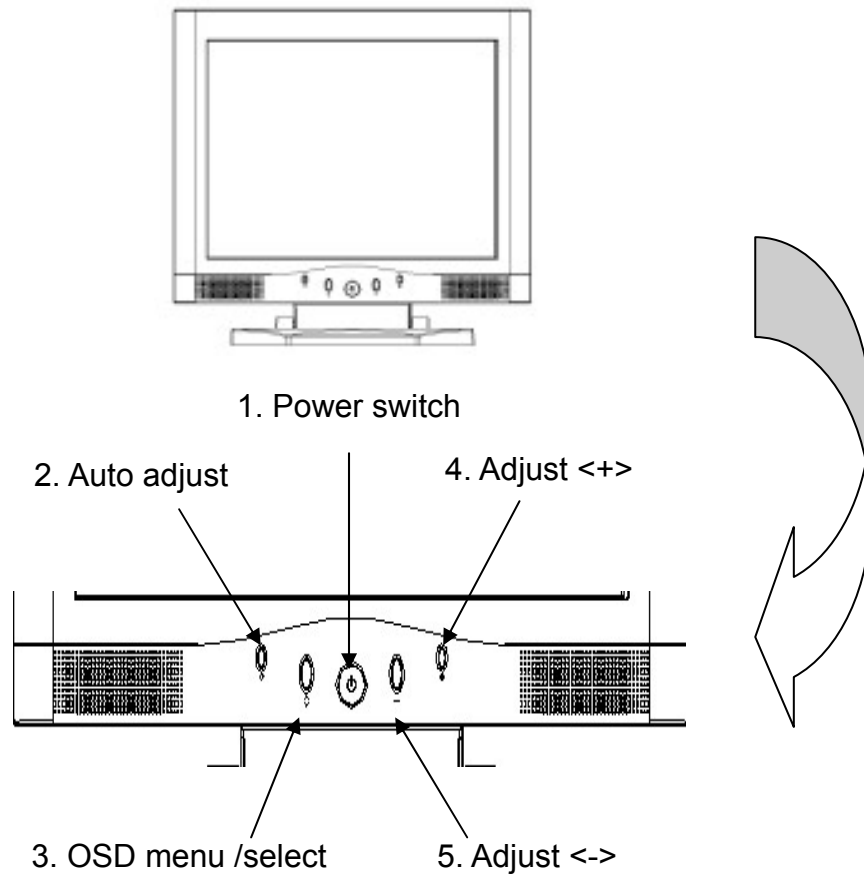
1. Do not allow anything to rest on the power cord.
2. Do not locate this product where persons will walk on the cord.
3. Use the proper power cord with correct attachment plug type. If the power source is 120V AC, use a power cord that has UL and C-UL approvals. If the power source is a 240V AC supply, use the tandem (T blade) type attachment plug with ground conductor power cord that meets the respective European country's safety regulations, such as VDE for Germany.
4. Do not overload wall outlets or power cords. Ensure that the total of all units plugged into the wall outlet does not exceed 10 amperes.
5. Ensure that the total ampere ratings on all units plugged into the extension cord is not above the cord's rating.
6. If the power supply cord, which came with your monitor, is to be connected to the PC instead of the wall outlet, this equipment is to be used with UL/TÜV approved computers with receptacle rated 100~240V AC, 50/60Hz, 1.0A(minimum).

Environment

1. Place the monitor on a flat and leveled surface.
2. Place the monitor in a well-ventilated place.
3. Keep the monitor away from : Overly hot, cold or humid places, places directly under sunlight, dusty surroundings, equipment that generate strong magnetic fields.

Control Function

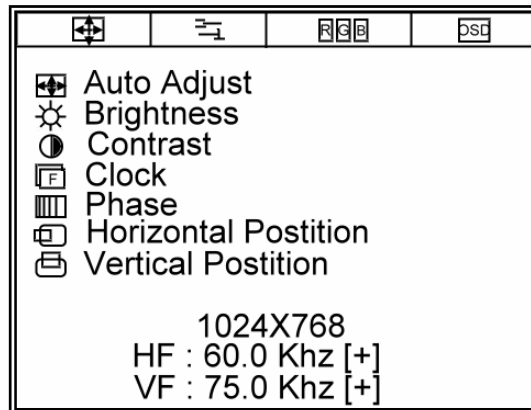
Control Button Front View










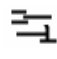
1. Power Switch : Power led light is green when power on, led light is orange when enters into sleep mode.
2. Auto adjust: Auto adjust
3. OSD Menu / Select : Pressing this button pops up the OSD menus on the screen, and used to select the OSD control options on the screen.
4. Increase<+> : This button is used to adjust the increasing value of selected OSD control option.
5. Decrease<-> : This button is used to adjust the decreasing value of selected OSD control option.

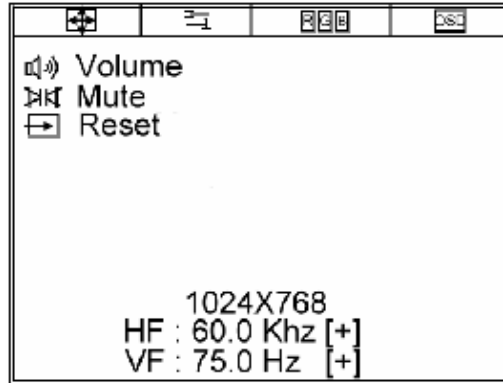
OSD Control

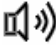

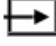
Monitor Function Selection Menu :



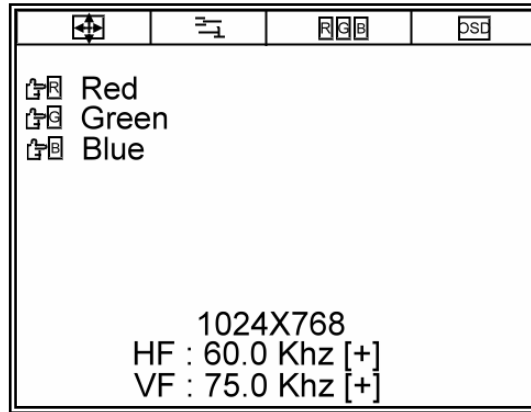
-  Auto Adjust : Select this function can make the monitor have best efficiency.
-  Brightness : Adjust the brightness using < + > and < - > buttons.
-  Contrast : Adjust the contrast using < + > and < - > buttons.
-  Clock : Adjust the clock using < + > and < - > buttons.
-  Phase : Adjust the phase using < + > and < - > buttons.
-  Horizontal Position : Pressing < + > moves the display image to right;
Pressing < - > moves the display image to left
-  Vertical Position : Pressing < + > moves the display image upward;
Pressing < - > moves the display image downward

 Tools Menu :



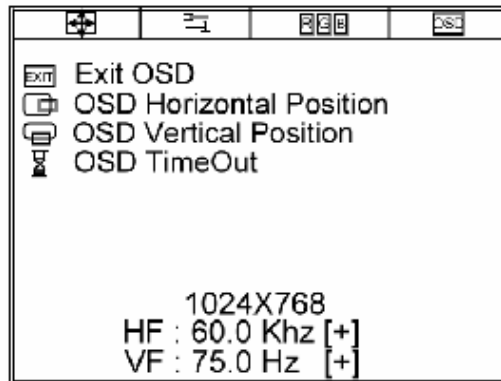
-  Volume : Adjust the volume using < + > and < - > buttons.
-  Mute : Mute function.
-  Reset : Reset all settings to factory default.

RGB RGB Adjusting Menu :





-  Red : Red Range
-  Green : Green Range
-  Blue : Blue Range

OSD Function Selection Menu :



 Exit OSD : Exit the OSD function selection menu.

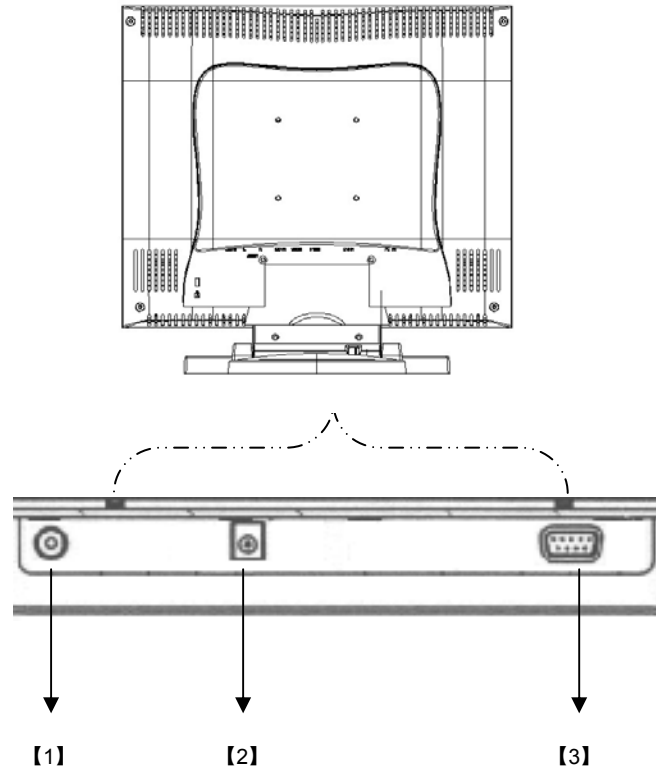
 OSD Horizontal Position : Pressing < + > moves the OSD menu to right;
Pressing < - > moves the OSD menu to left.

 OSD Vertical Position : Pressing < + > moves the OSD menu upward;
Pressing < - > moves the OSD menu downward.

 OSD Time Out : Set the OSD menu disappear time.

Inputs Diagram

Inputs



- 【1】** LINE IN : This can be connected to the audio-out connector of any sound resource.
- 【2】** DC IN : This is for connecting the power cable.
- 【3】** PC IN : This can be connected with the D-Sub 15 pin signal connector.

Installation

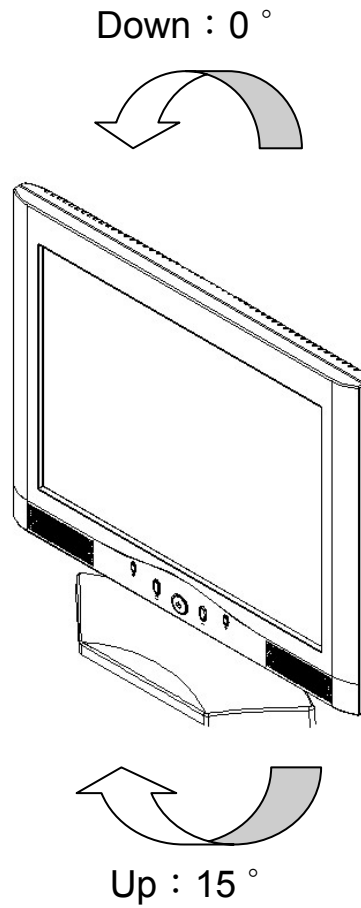
This monitor is equipped with an auto-sensing power supply for voltage ranges 100~240V, 50~60Hz. Please follow the following instruction to install LCD monitor.

1. Make sure that the system power is turned off.
2. Plug the signal cable to the signal connector at the rear of PC and the rear of the LCD monitor.
3. Plug adapter output cable to the jack at the rear of LCD monitor and the power cord to the adapter.
4. Connect the power cord to power source.
5. Turn on the computer and the monitor.
6. Please adjust the frequency to 75 Hz after setting up the LCD monitor.
7. Then push the OSD menu button and use the Auto Adjust function to fine the best mode of your computer.

Display Angle

Tilting

For viewing clarity, you can tilt the LCD forward (up to 0 degrees) or backward (up to 15 degrees) .



Product Specification

Spec \ Type	Specification
LCD Display	15" active matrix TFT LCD panel
Pixel Pitch	0.297(H) x 0.297(V) mm
Max. Resolution	1024(H) x 768(V) XGA
Set Size	375(H) x 353(W) x 188(D) mm
Pack Size	460(H) x 450.1(W) x 235(D) mm
PC Interface	RGB analog 0.7V peak to peak
Sync.	TTL positive or negative
Display Mode	VGA, SVGA, XGA
Audio-in	Phone jack
Signal Connector	D-sub 15 pin
Front Control	Power ON/OFF, OSD Menu, Yes/ADD <+>, No/Decrease <->, Auto Adjust
OSD	Auto Adjust, Brightness, Contrast, Clock, Phase, H/V-Position, Volume, Mute, Reset, Red, Green, Blue, Exit OSD, OSD H/V Position, OSD Time Out
Power Adapter	AC Input: 100-240V~1.8A, 50-60Hz DC Output: 12V / 3.0A
Operating Conditions	Temperature: 0°C~45°C Humidity: 20%~80%
Storage Conditions	Temperature: -20°C~60°C Humidity: 10%~80%
Certification	CE, FCC, UL, TUV, VCCI, CSA
Weight	Net Weight : 3.5Kg Gross Weight : 5.5Kg

Display Modes

Mode	Resolution	H Freq (kHz)	V Freq (Hz)
1	640 x 400	24.823	56.416
2	640 x 480	31.469	59.940
3	640 x 480	37.861	72.809
4	640 x 480	37.500	75.000
5	720 x 400	31.469	70.087
6	800 x 600	35.156	56.250
7	800 x 600	37.879	60.317
8	800 x 600	48.077	72.188
9	800 x 600	46.875	75.000
10	1024 x 768	48.363	60.004
11	1024 x 768	56.476	70.069
12	1024 x 768	60.023	75.029

Service Information

Service

When you buy this excellent LCD Monitor, you begin have the 3 years warranty from us. Please contact us as you need any information or help about our product. Thank you for buying our product again.