

CW35 Series

Rev. AC+

**System Board
Carte Mère Manuel
System-Platine**

**User's Manual
Pour Utilisateur
Benutzerhandbuch**

Copyright

This publication contains information that is protected by copyright. No part of it may be reproduced in any form or by any means or used to make any transformation/adaptation without the prior written permission from the copyright holders.

This publication is provided for informational purposes only. The manufacturer makes no representations or warranties with respect to the contents or use of this manual and specifically disclaims any express or implied warranties of merchantability or fitness for any particular purpose. The user will assume the entire risk of the use or the results of the use of this document. Further, the manufacturer reserves the right to revise this publication and make changes to its contents at any time, without obligation to notify any person or entity of such revisions or changes.

© 1999. All Rights Reserved.

Trademarks

Microsoft® MS-DOS®, Windows™, Windows® 95 and Windows® 98 are registered trademarks of Microsoft Corporation. Intel® and Celeron™ are registered trademarks of Intel Corporation. Award is a registered trademark of Award Software, Inc. Other trademarks and registered trademarks of products appearing in this manual are the properties of their respective holders.

Caution:

Danger of explosion if battery incorrectly replaced.
Replace only with the same or equivalent type recommended by the manufacturer.
Dispose of used batteries according to the battery manufacturer's instructions.

FCC and DOC Statement on Class B

This equipment has been tested and found to comply with the limits for a Class B digital device, pursuant to Part 15 of the FCC rules. These limits are designed to provide reasonable protection against harmful interference when the equipment is operated in a residential installation. This equipment generates, uses and can radiate radio frequency energy and, if not installed and used in accordance with the instruction manual, may cause harmful interference to radio communications. However, there is no guarantee that interference will not occur in a particular installation. If this equipment does cause harmful interference to radio or television reception, which can be determined by turning the equipment off and on, the user is encouraged to try to correct the interference by one or more of the following measures:

- Reorient or relocate the receiving antenna.
- Increase the separation between the equipment and the receiver.
- Connect the equipment into an outlet on a circuit different from that to which the receiver is connected.
- Consult the dealer or an experienced radio TV technician for help.

Notice:

1. The changes or modifications not expressly approved by the party responsible for compliance could void the user's authority to operate the equipment.
2. Shielded interface cables must be used in order to comply with the emission limits.

Table of Contents / Sommaire / Inhaltsverzeichnis

Chapter 1 - Introduction

1.1 Features and Specifications.....	4
1.2 Package Checklist.....	10

Chapter 2 - Hardware Installation

2.1 System Board Layout	11
2.2 System Memory.....	13
2.3 Jumper Settings for Clearing CMOS Data.....	13
2.4 Jumper Settings for Wake-On-Keyboard/Mouse.....	15
2.5 Jumper Settings for the Audio Codec.....	16
2.6 Jumper Settings for the System's Beep Message.....	17
2.7 Jumper Settings for the CPU's Front Side Bus.....	18
2.8 Jumper Settings for the Boot Block Lock/Unlock.....	19
2.9 Connectors.....	20

Chapter 3 - Award BIOS Setup Utility

3.1 Entering the Award BIOS Setup Utility.....	30
3.2 Setting the Date and Time.....	31
3.3 Selecting the Hard Drive and Floppy Drive Type.....	32
3.4 Selecting the Boot Sequence of the Drives.....	34
3.5 Enabling the AC97 Modem.....	35
3.6 Setting the Wake-On-Keyboard/Mouse Function.....	36
3.7 Selecting the Power Lost Resume State.....	40
3.8 Selecting the CPU Ratio.....	42
3.9 Using the Suspend to RAM Function.....	43
3.10 Loading Fail-Safe Defaults/Optimized Defaults.....	47
3.11 Setting the Supervisor/User Password.....	48

Chapter 4 - Supported Softwares

4.1 Hardware Doctor Utility.....	50
4.2 INF Update Utility for Windows® 95/98.....	50
4.3 Installing the Graphics Driver.....	51
4.4 Installing the Sound Driver.....	52
4.5 Drivers and Utilities Installation Notes.....	52

Appendix A - System Error Messages

A.1 POST Beep.....	53
A.2 Error Messages.....	53



Note:

The user's manual in the provided CD contains detailed information about the system board. If, in some cases, some information doesn't match those shown in this manual, this manual should always be regarded as the most updated version. To view the user's manual, insert the CD into a CD-ROM drive. The autorun screen (Main Board Utility CD) will appear. Click "User's Manual".

Chapter 1 - Introduction / Introduction / Einleitung

1.1 Features and Specifications

Caractéristiques et Spécifications

Leistungsmerkmale und Technische Daten

1.1.1 Features / Caractéristiques / Leistungsmerkmale

Chipset

- Intel® 810-E (CW35-E)
Intel® 810 DC-100 (CW35-D)
Intel® 810 (CW35-S)
Intel® 810-L (CW35-L)

Processor

The system board is equipped with a switching voltage regulator that automatically detects 1.30V to 2.05V.

- 300A/333/366/400/433/466MHz Celeron™ PPGA processor or future 100MHz FSB PPGA processor
- Future 133MHz FSB PPGA processor (CW35-E)

System Memory

- 16MB to 256MB/512MB memory using unbuffered DIMMs with 64MB/128MB technology. (You must use 32MBx64 SDRAM DIMM to support 512MB memory.)
- Two 168-pin DIMM sockets
- Uses x64 PC-100 SDRAM DIMM, 3.3V

DIMMs	Memory Size
2MBx64	16MB
4MBx64	32MB
8MBx64	64MB
16MBx64	128MB
32MBx64	256MB

Expansion Slots

The system board is equipped with 3 dedicated PCI slots and 1 AMR slot. AMR (Audio/Modem Riser) is an interface designed for installing an audio riser card, modem riser card or audio/modem riser card that is compliant to the AMR specification.

Onboard Graphics Features

- Graphics memory
 - Shares 1MB of the system memory. This is fixed regardless of the size of the system memory.
 - Uses the Dynamic Display Memory (DDM) technology. This freely changes in size because graphics memory is allocated from the system memory according to current needs.
 - 4MB onboard display cache (CW35-E and CW35-D only)
- Graphics controller
 - 100MHz (CW35-D) or 133MHz (CW35-E) super AGP performance using 4MB display cache memory
 - 3D hyper pipelined architecture
 - 2D hardware and motion video acceleration
 - 9-bit precision hardware motion compensation assistance for software MPEG2 decode
 - Software DVD at 30fps
- 2D graphics features
 - Resolution: up to 1600x1200 in 8-bit color at 85Hz refresh
 - 64-bit blitter with enhancements
 - 64x64x3 color transparent cursor
 - Arithmetic stretch blitter
- 3D graphics features
 - 600K-700K tri/sec sustained
 - 55Mpixels/sec
 - Flat and Gouraud shading
 - MIP mapping with bi-linear and anisotropic filtering
 - 16-bit color/Z-buffering
 - Discrete/strips/fans
 - Anisotropic filtering
 - Texture compositing, color keying and chroma keying
- Software drivers
 - Windows® 95/98
 - Windows NT® 4.0

Onboard Audio Features

- Supports Microsoft® DirectSound/DirectSound 3D
- 32-voice wavetable synthesis
- 3D positional audio effects
- AC'97 supported with full duplex, independent sample rate converter for audio recording and playback
- Downloadable sound (DLS) level-1

Compatibility

- Microsoft PC '98 compliant
- VESA Display Power Management Signaling (DPMS)
- VESA DDC2B for Plug and Play monitors
- PCI 2.2, AMR 1.0 and AC '97 compliant

ATX Double Deck Ports

- Two USB ports
- One NSI 6C550A-compatible DB-9 serial port
- One DB-15 VGA port
- One SPP/ECP/EPP DB-25 parallel port
- One mini-DIN-6 PS/2 mouse port
- One mini-DIN-6 PS/2 keyboard port
- One game/MIDI port
- Three audio jacks: line-out, line-in and mic-in

Connectors

- One 9-pin connector for external serial port
- One connector for IrDA interface
- Two IDE connectors
- One floppy drive connector supports up to two 2.88MB floppy drives
- One 20-pin ATX power supply connector
- One 3-pin Wake-On-LAN connector
- CPU, chassis and second chassis fan connectors
- One opened chassis alarm connector
- Three CD audio-in connectors (2 Sony and 1 Mitsumi)

PCI Bus Master IDE Controller

- Two PCI IDE interfaces support up to four IDE devices
- Supports Ultra ATA/33 (CW35-L) or ATA/66 (CW35-E, CW35-D or CW35-S) hard drives
- PIO Mode 4 Enhanced IDE (data transfer rate up to 14MB/sec.)
- Bus mastering reduces CPU utilization during disk transfer
- Supports ATAPI CD-ROM, LS-120 and ZIP

IrDA Interface

The system board is equipped with an IrDA connector for wireless connectivity between your computer and peripheral devices. It supports peripheral devices that meet the IrDA or ASKIR standard.

USB Ports

The system board is equipped with two USB ports. USB allows data exchange between your computer and a wide range of simultaneously accessible external Plug and Play peripherals.

BIOS

- Award BIOS, Windows® 95/98 Plug and Play compatible
- Supports SCSI sequential boot-up
- Flash EPROM for easy BIOS upgrades (4Mbit)
- Includes NCR 810 SCSI BIOS
- Supports DMI 2.0 function

Desktop Management Interface (DMI)

The system board comes with a DMI 2.0 built into the BIOS. The DMI utility in the BIOS automatically records various information about your system configuration and stores these information in the DMI pool, which is a part of the system board's Plug and Play BIOS. DMI, along with the appropriately networked software, is designed to make inventory, maintenance and troubleshooting of computer systems easier.

1.1.2 System Health Monitor Functions

System Health Monitor Fonctions

System Health Monitor Funktions

The system board is capable of monitoring the following "system health" conditions.

- Monitors processor/system/other devices temperature and over-heat alarm
- Monitors 5VSB/VBAT/1.5V/3.3V/+5V/±12V/processor voltages and failure alarm
- Monitors the fan speed of the processor fan, chassis fan and second chassis fan; controls the fan speed of the processor and chassis fans; and failure alarm
- Automatic fan on/off control
- Read back capability that displays temperature, voltage and fan speed
- Opened chassis alarm
- Supports Celeron™ processor thermal diode output (real processor temperature)

If you want a warning message to pop-up or a warning alarm to sound when an abnormal condition occurs, you must install the Hardware Doctor utility. This utility is included in the CD that came with the system board. Refer to the Hardware Doctor Utility section in chapter 4 for more information.

1.1.3 Intelligence / Intelligence / Intelligente Ausstattungsteile

Automatic CPU/Chassis Fan Off

The CPU and chassis fans will automatically turn off once the system enters the Suspend mode.

Dual Function Power Button

Depending on the setting in the "Soft-Off By PWR-BTTN" field of the Power Management Setup, this switch will allow the system to enter the Soft-Off or Suspend mode.

External Modem Ring-on

The Modem Ring-on feature allows the system that is in the Suspend mode or Soft Power Off mode to wake-up/power-on to respond to incoming calls. This feature supports external modem only.

RTC Timer to Power-on the System

The RTC installed on the system board allows your system to automatically power-on on the set date and time.

Wake-On-LAN Ready

The Wake-On-LAN function allows the network to remotely wake up a Soft Power Down (Soft-Off) PC. Your LAN card must support the remote wakeup function.



Important:

The 5VSB power source of your power supply must support $\geq 720\text{mA}$ (minimum). If you are using the Suspend to RAM function, the 5VSB power source must support a minimum of $\geq 1.2\text{A}$.

Wake-On-Keyboard/Wake-On-Mouse

This function allows you to use the keyboard or mouse to power-on the system. Refer to "Jumper Settings for Wake-On-Keyboard/Mouse" in chapter 2 and "Setting the Wake-On-Keyboard/Mouse Function" in chapter 3 for more information.



Important:

- The power button will not function once a keyboard password has been set in the "KB Power On Password" field of the Integrated Peripherals submenu. You must type the correct password to power-on the system. If you forgot the password, power-off the system and remove the battery. Wait for a few seconds and install it back before powering-on the system.*
- The 5VSB power source of your power supply must support $\geq 720\text{mA}$ (minimum). If you are using the Suspend to RAM function, the 5VSB power source must support a minimum of $\geq 1.2\text{A}$.*

AC Power Failure Recovery

When power returns after an AC power failure, you may choose to either power-on the system manually, let the system power-on automatically or return to the state where you left off before power failure occurs. Refer to "Selecting the Power Lost Resume State" in chapter 3 for more information.

Year 2000 Compliant

- Supports hardware Y2K function.
- Supports hardware Random Number Generator (RNG) to enable a new security and manageability infrastructure for PC.

ACPI

The system board is designed to meet the ACPI (Advanced Configuration and Power Interface) specification. ACPI has energy saving features that enables PCs to implement Power Management and Plug-and-Play with operating systems that support OS Direct Power Management. Currently, only Windows® 98 supports the ACPI function. ACPI when enabled in the Power Management Setup will allow you to use the Suspend to RAM function.

With the Suspend to RAM function enabled, you can power-off the system at once by pressing the power button or selecting "Standby" when you shut down Windows® 98 without having to go through the sometimes tiresome process of closing files, applications and operating system. This is because the system is capable of storing all programs and data files during the entire operating session into RAM (Random Access Memory) when it powers-off. The operating session will resume exactly where you left off the next time you power-on the system. Refer to "Using the Suspend to RAM Function" in chapter 3 for more information.

Virus Protection

Most viruses today destroy data stored in hard drives. The system board is designed to protect the boot sector and partition table of your hard disk drive.

I.2 Package Checklist

Liste de Vérification de l'Emballage

Verpackungsliste

The system board package contains the following items:

- The system board
- A user's manual
- One card-edge bracket with a serial port
- One IDE cable for ATA/66 IDE drives (CW35-E, CW35-D or CW35-S)
- One IDE cable for ATA/33 IDE drives (CW35-L)
- One 34-pin floppy disk drive cable
- One "Main Board Utility" CD
- One "Video Audio Kit" CD (optional)

If any of these items are missing or damaged, please contact your dealer or sales representative for assistance.

Chapter 2 - Hardware Installation

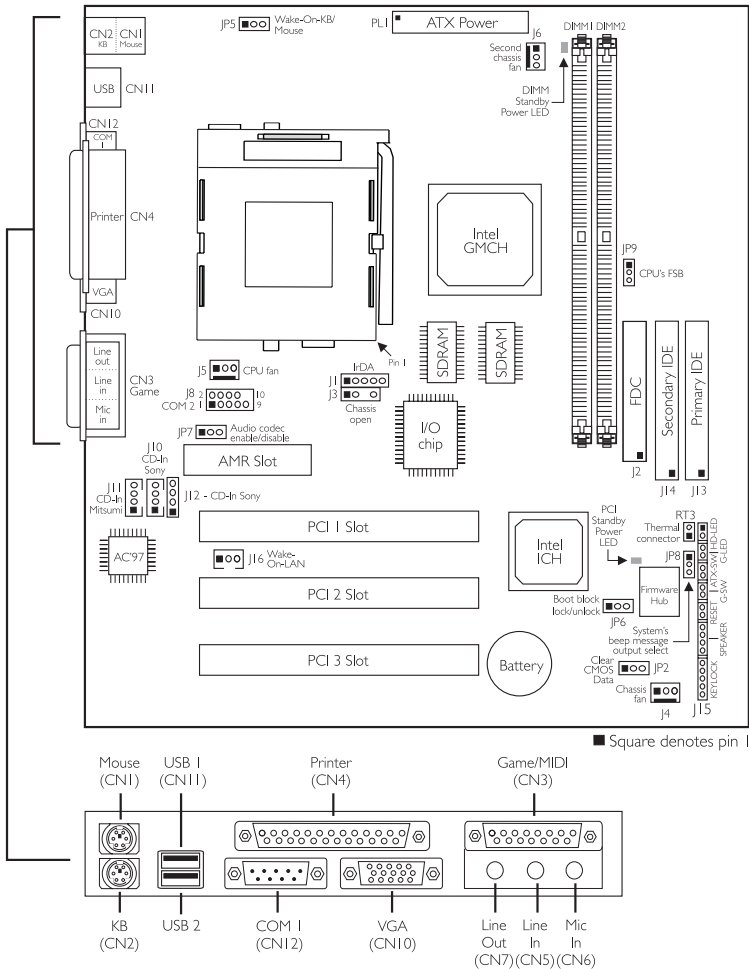
Installation du Matériel

Installation der Hardware

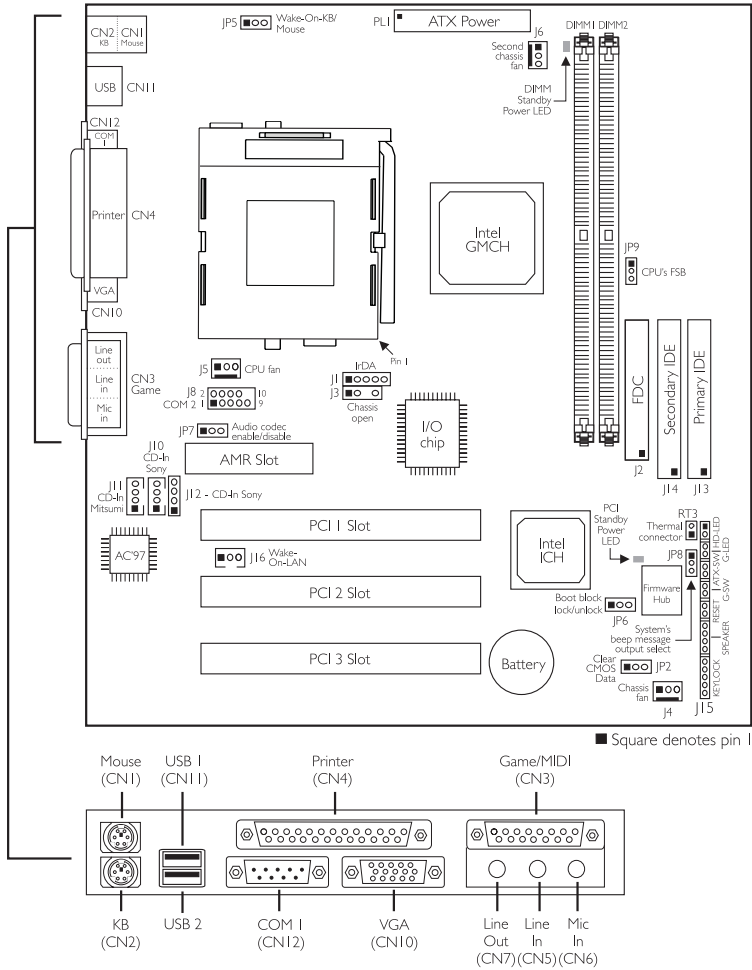
2.1 System Board Layout

Position de la Carte Système

Aufbau der Hauptplatine



CW35-E or CW35-D



CW35-S or CW35-L



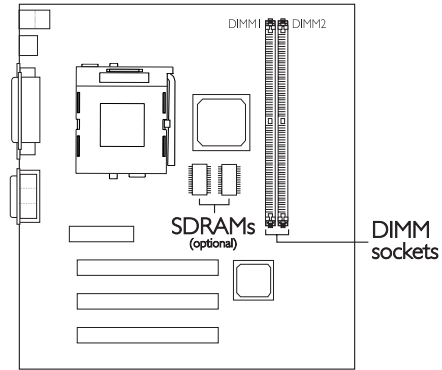
Note:

The illustrations on the following pages are based on the CW35-S or CW35-L system board, which are boards without SDRAMs.

2.2 System Memory Mémoire Système Systemspeichers

The onboard VGA shares 1MB of the system memory. This is fixed regardless of the size of the system memory.

Aside from the 1MB shared memory, it also uses the Dynamic Display Memory (DDM) technology. DDM freely changes in size because graphics memory is allocated from the system memory according to current needs.



Refer to chapter 1 for the type of memory supported by the system board.

Display Cache (CW35-E and CW35-D only)

The CW35-E and CW35-D system boards are each mounted with 2 SDRAMs that serve as 4MB display cache. The presence of the display cache will provide better system performance.

2.3 Jumper Settings for Clearing CMOS Data

Positionnement des Cavaliers pour Effacer les Données CMOS

Jumpereinstellungen zum Löschen der CMOS Daten

Jumper JP2

Clear CMOS Data

If you encounter the following,

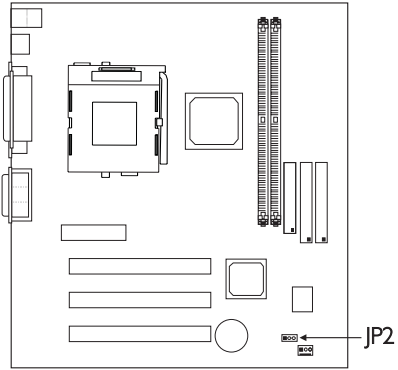
- CMOS data becomes corrupted;*
- You forgot the supervisor or user password;*
- You are unable to boot-up the computer system because the processor's speed/ratio was incorrectly set in the BIOS;*

you can reconfigure the system with the default values stored in the ROM BIOS.

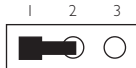
To load the default values stored in the ROM BIOS, please follow the steps below.

1. Power-off the system.
2. Set JP2 pins 2 and 3 to On. Wait for a few seconds and set JP2 back to its default setting, pins 1 and 2 On.
3. Now power-on the system.

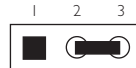
If your reason for clearing the CMOS data is due to incorrect setting of the processor's speed/ratio in the BIOS, please proceed to step 4.



4. After powering-on the system, press to enter the BIOS setup utility.
5. Select the CPU Frequency Control submenu and press <Enter>.
6. Select the appropriate frequency ratio of the processor in the "CPU Ratio" field. Refer to "Selecting the CPU Ratio" in chapter 3 of this manual for more information.
7. Press <Esc> to return to the main menu of the BIOS setup utility, Select "Save & Exit Setup" and press <Enter>.
8. Type <Y> and press <Enter>.



1-2 On: Normal
(default)



2-3 On:
Clear CMOS Data

2.4 Jumper Settings for Wake-On-Keyboard/Mouse

Positionnement des Cavaliers pour Réveil-Sur-Clavier/Souris

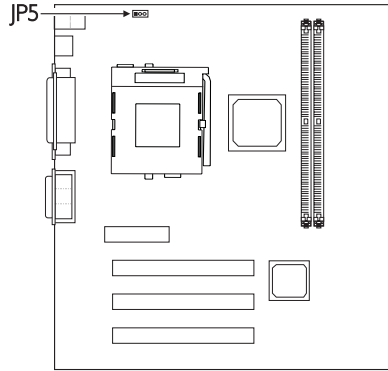
Jumpereinstellungen für die Wake-On Tastatur/Maus

Jumper JP5

Wake-on-Keyboard/Wake-On-Mouse

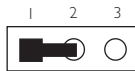
To use the keyboard or mouse to power-on the system, please follow the steps below.

1. Set JP5 to 2-3 On - enable.
2. "Keyboard/Mouse Power On" in the Integrated Peripherals submenu of the BIOS must be set accordingly. Refer to "Setting the Wake-On-Keyboard/Mouse Function" in chapter 3 for more information.

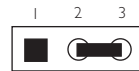


Warning:

1. If JP5 was previously enabled with a password set in the "KB Power On Password" field, and now you wish to disable the keyboard password function, make sure to set the "Keyboard/Mouse Power On" field to Disabled prior to setting JP5 to disabled. You will not be able to boot up the system if you fail to do so.
2. The power button will not function once a keyboard password has been set in the "KB Power On Password" field of the Integrated Peripherals submenu. You must type the correct password to power-on the system.
3. The 5VSB power source of your power supply must support $\geq 720\text{mA}$ (minimum). If you are using the Suspend to RAM function, the 5VSB power source must support a minimum of $\geq 1.2\text{A}$.



1-2 On: Disable
(default)



2-3 On: Enable

2.5 Jumper Settings for the Audio Codec

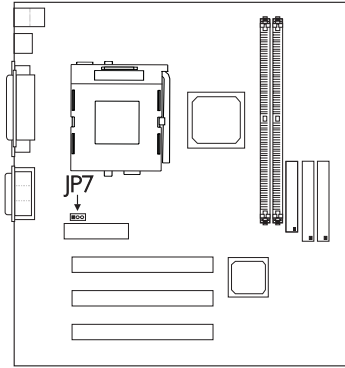
Paramétrage des Cavaliers pour Audio Codec

Steckbrückeneinstellungen für den Audio-Codec

Jumper JP7

Enable/Disable Audio Codec

This jumper is used to enable or disable the audio codec (AC'97) on the system board. By default, the onboard audio codec is enabled. If you are using the AMR card's audio codec, set pins 1 and 2 to On. Please refer to the table below on how the jumper and the BIOS should be configured in different situations or system configurations.



1-2 On: Disable

2-3 On: Enable
(default)

Nomenclature

"BIOS - AC97 Audio" : Refers to the "AC97 Audio" field in the Integrated Peripherals submenu.

"BIOS - AC97 Modem" : Refers to the "AC97 Modem" field in the Integrated Peripherals submenu.

- | | | | | | |
|----|---------------------------------|---|---|---|--|
| 1. | Onboard audio (primary) | + | No card in AMR or PCI/ISA slot | = | JP7: enable
BIOS - AC97 Audio: enable |
| 2. | Primary audio riser in AMR slot | = | JP7: disable
BIOS - AC97 Audio: enable | | |
| 3. | Onboard audio (primary) | + | Secondary audio riser in AMR slot | = | JP7: enable
BIOS - AC97 Audio: enable |
| 4. | Onboard audio (primary) | + | Secondary modem riser in AMR slot | = | JP7: enable
BIOS - AC97 Audio: enable
BIOS - AC97 Modem: enable |
| 5. | Onboard audio (primary) | + | PCI modem card in PCI slot | = | JP7: enable
BIOS - AC97 Audio: enable
BIOS - AC97 Modem: disable |

- | | | | | | |
|-----|----------------------------------|---|--|---|--|
| 6. | PCI sound card
in PCI slot | = | JP7: no effect; ignore
BIOS - AC97 Audio: disable | | |
| 7. | PCI sound card
in PCI slot | + | Primary modem
riser in AMR slot | = | JP7: disable
BIOS - AC97 Audio: disable
BIOS - AC97 Modem: enable |
| 8. | PCI sound card
in PCI slot | + | Secondary modem
riser in AMR slot | = | JP7: enable
BIOS - AC97 Audio: disable
BIOS - AC97 Modem: enable |
| 9. | PCI sound card
in PCI slot | + | PCI modem card
in PCI slot | = | JP7: no effect; ignore
BIOS - AC97 Audio: disable
BIOS - AC97 Modem: disable |
| 10. | Audio Modem riser
in AMR slot | = | JP7: disable
BIOS - AC97 Audio: enable
BIOS - AC97 Modem: enable | | |

2.6 Jumper Settings for the System's Beep Message

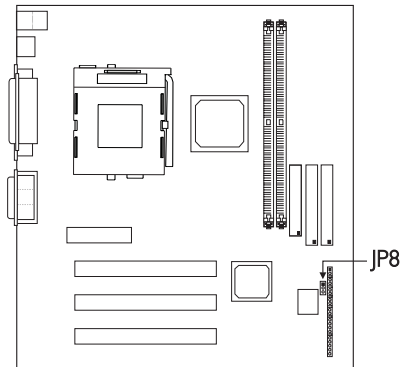
Paramétrage des Cavaliers pour le Message de Bip du Système

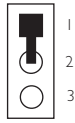
Steckbrückeneinstellungen für die akustische Meldung des Systems

Jumper JP8

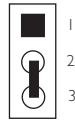
System's Beep Message Output Select

This jumper is used to select the speaker from which the system's beep message will sound. If you want the system's beep message to come from the external speaker that is connected to the line-out jack, set this jumper pins 1 and 2 to On. If you want the system's beep message to come from the PC's speaker, set this jumper pins 2 and 3 to On.





1-2 On:
External speaker



2-3 On:
PC's speaker
(default)

2.7 Jumper Settings for the CPU's Front Side Bus

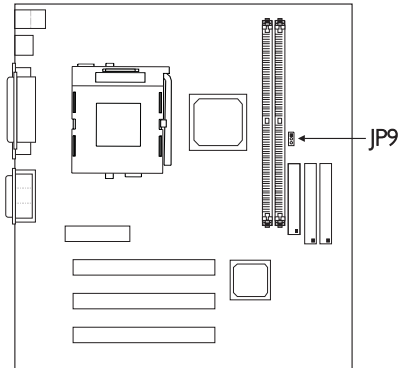
Positionnement des Cavaliers pour le Bus Frontal du Processeur

Jumpereinstellungen fuer CPU Vorderseitenbus

Jumper JP9

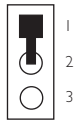
CPU's Front Side Bus Select

The default setting of jumper JP9 is Auto - the system will automatically run according to the FSB of the processor. The "100MHz" setting (1-2-3 Off) is reserved for future 100MHz FSB processors.

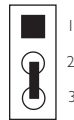


Warning:

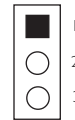
If your system is installed with a 66MHz FSB processor, do not move the jumper cap from its default setting which is pins 1 and 2 On; otherwise your system will not boot.



1-2 On: Auto
(default)



2-3 On: 66MHz



1-2-3 Off: 100MHz

2.8 Jumper Settings for the Boot Block Lock/Unlock

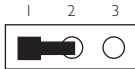
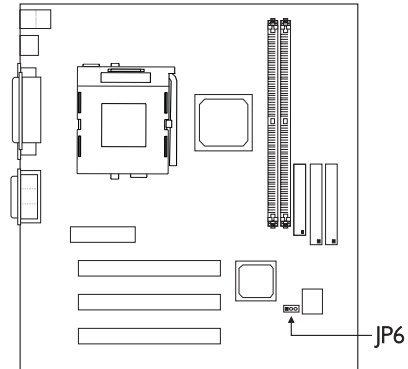
Paramétrage des Cavaliers pour le Verrouillage/
Déverrouillage du Bloc d'Initialisation

Steckbrückeneinstellungen für die Blockierung/
Entriegelung des Ladeblocks

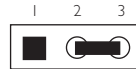
Jumper JP6

Boot Block Lock/Unlock

This jumper is for factory use only. Please leave it in its default setting.



1-2 On:
Unlock boot block
(default)



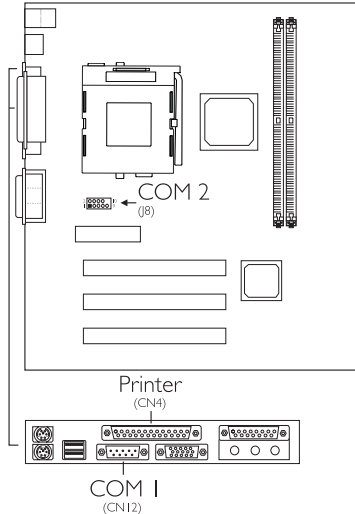
2-3 On:
Lock Boot Block

2.9 Connectors / Connecteurs / Anschlüsse

2.9.1 Serial Ports / Parallel Port

Ports Série / Port Parallèle

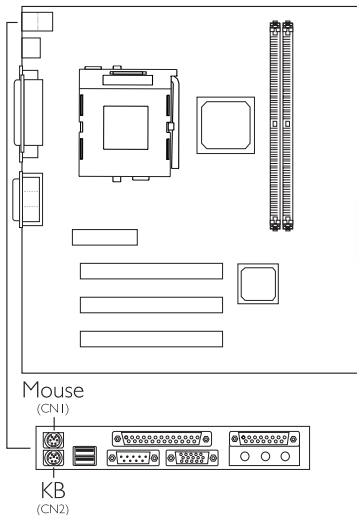
Serielle Anschlüsse / Paralleler Anschluß



2.9.2 PS/2 Mouse Port / PS/2 Keyboard Port

Ports Souris PS/2 / Ports Clavier PS/2

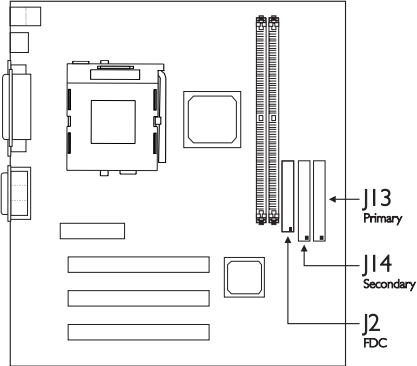
PS/2-Maus-Anschluß / PS/2-Tastatur-Anschluß



Warning:

Make sure to turn off your computer prior to connecting or disconnecting a mouse or keyboard. Failure to do so may damage the system board.

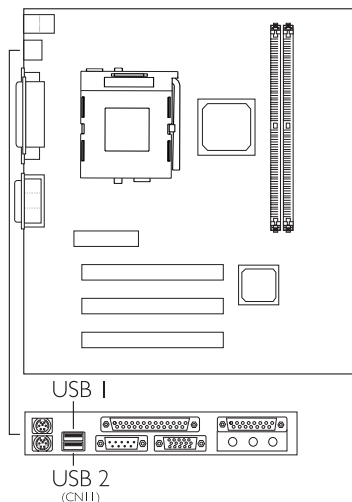
2.9.3 Floppy Disk Drive and IDE Disk Drive Connectors Contrôleur de Lecteur de Disquette et Interface IDE Diskettenlaufwerkcontroller und IDE Interface



Important:

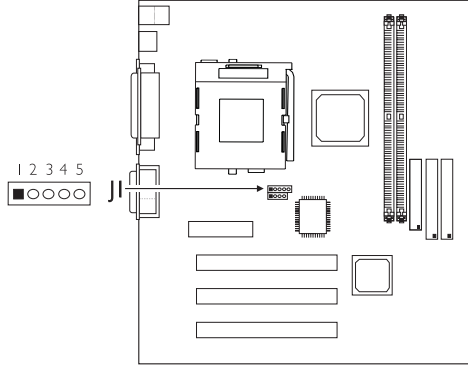
If you encountered problems while using an ATAPI CD-ROM drive that is set in Master mode, please set the CD-ROM drive to Slave mode. Some ATAPI CD-ROMs may not be recognized and cannot be used if incorrectly set in Master mode.

2.9.4 Universal Serial Bus Ports Ports de Bus Série Universels Universelle Serielle Bus-Anschlüsse



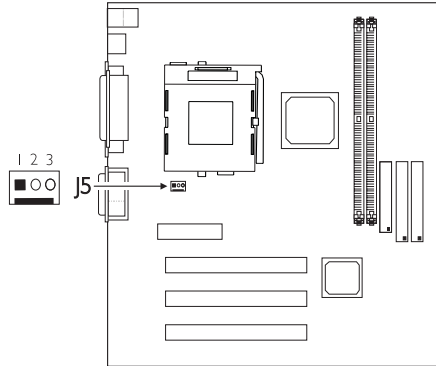
2.9.5 IrDA Connector Connecteur IrDA IrDA Anschlüsse

Pin	Function
1	IRTX
2	Ground
3	IRRX
4	N.C.
5	VCC



2.9.6 CPU Fan Connector Connecteur du Ventilateur de CPU CPU Kühlung Anschluß

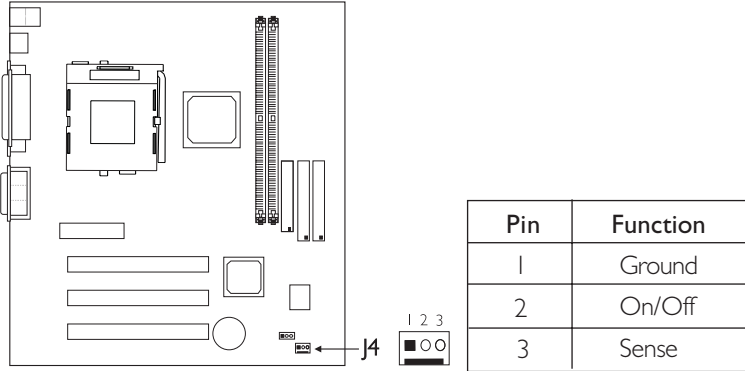
Pin	Function
1	Ground
2	On/Off
3	Sense



Note:

The system is capable of monitoring and controlling the speed of the CPU fan. The CPU fan, together with the chassis fan, will automatically turn off once the system enters the Suspend mode.

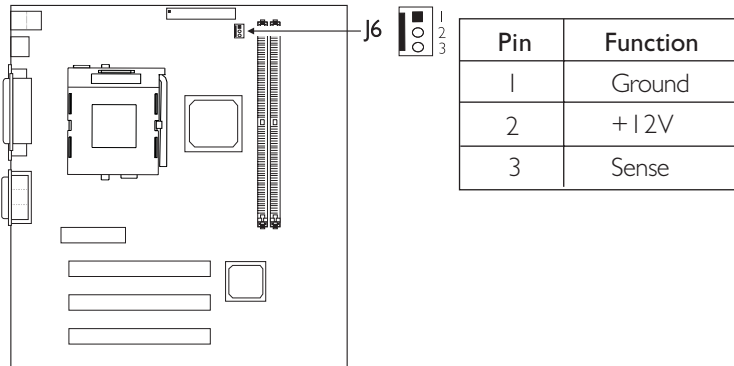
2.9.7 Chassis Fan Connector Connecteur de Châssis de Ventilateur Anschluß Kühlungsgehäuse



Note:

The system is capable of monitoring and controlling the speed of the chassis fan. The chassis fan, together with the CPU fan, will automatically turn off once the system enters the Suspend mode.

2.9.8 Second Chassis Fan Connector Connecteur de Secondaire Châssis de Ventilateur Anschluß Sekundären Kühlungsgehäuse



Note:

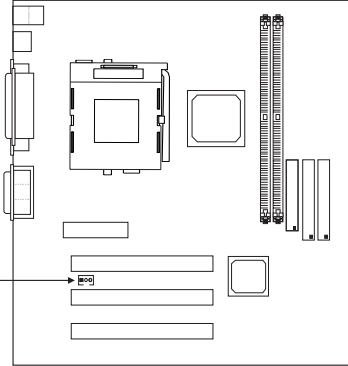
The system is capable of monitoring the speed of the second chassis fan but does not control its fan speed.

2.9.9 Wake-On-LAN Connector Connecteur Réveil-Sur-LAN Wake-On-LAN Anschluß

Pin	Function
1	WOL
2	Ground
3	+5VSB (720mA)



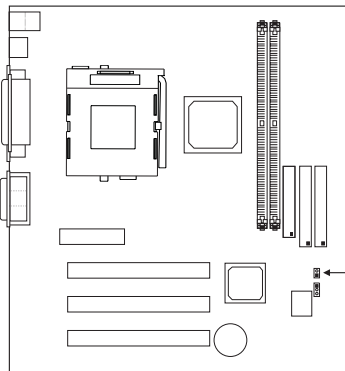
J16



Important:

The 5VSB power source of your power supply must support $\geq 720\text{mA}$ (minimum). If you are using the Suspend to RAM function, the 5VSB power source must support a minimum of $\geq 1.2\text{A}$.

2.9.10 Thermal Connector Connecteur Thermique Thermovebinder

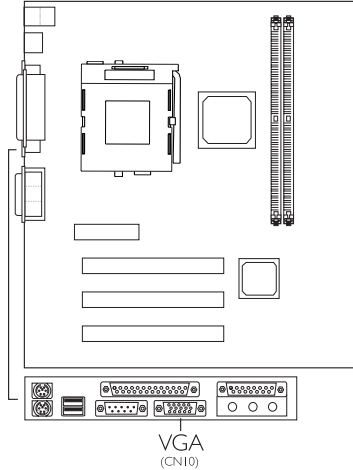


RT3

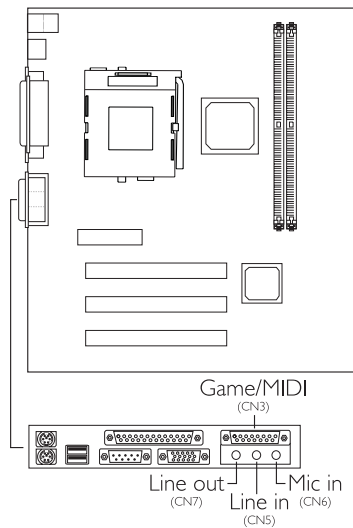


Pin	Function
1	Ground
2	Sensor

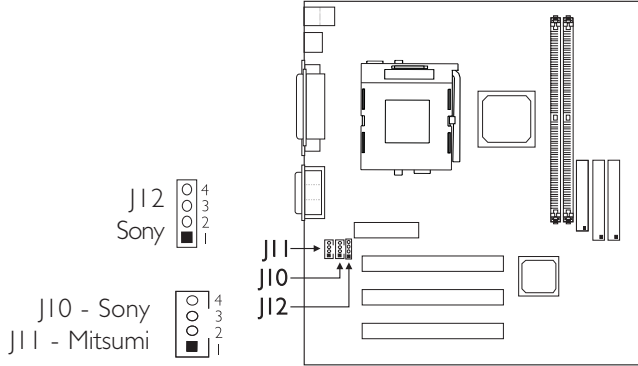
2.9.11 VGA Port Port VGA VGA-Anschluß



2.9.12 Game/MIDI Port / Audio Jacks Port Jeu/MIDI / Prises Audio Game-/MIDI-Anschluß / Audio-Anschlußbuchsen

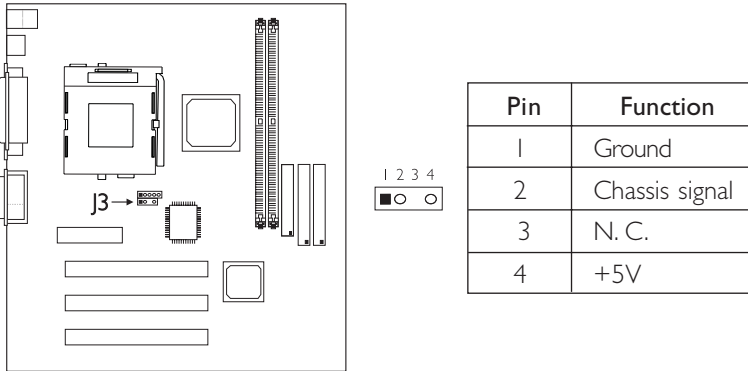


2.9.13 CD Audio-in Connector Connecteurs d'entrée Audio CD CD-Audio-In-Anschlußstecker



Pin	J12 - Sony	J10 - Sony	J11 - Mitsumi
1	CD-R	CD-R	CD-R
2	CD-G	CD-G	CD-G
3	CD-G	CD-G	CD-L
4	CD-L	CD-L	CD-G

2.9.14 Chassis Open Connector Connecteur de Châssis Ouvert Chassisöffnungsanschluß

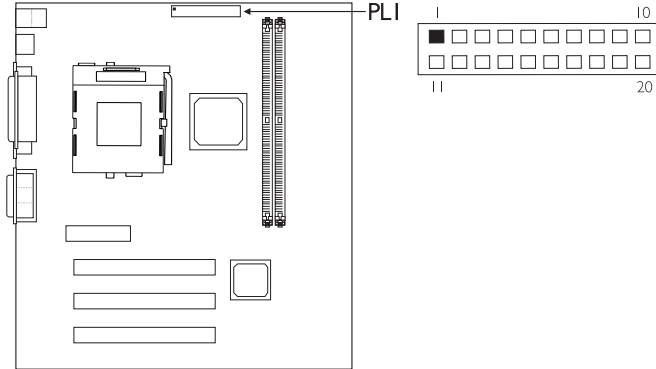


Pin	Function
1	Ground
2	Chassis signal
3	N. C.
4	+5V

2.9.15 Power Connector

Connecteur d'Alimentation

Netzanschluß



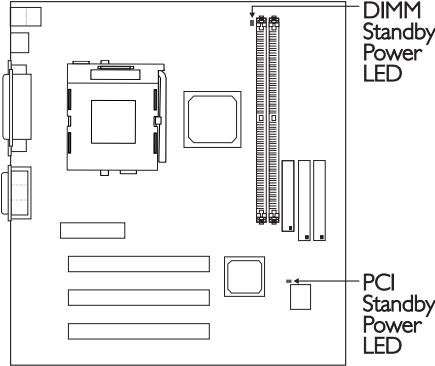
Pin	Function	Pin	Function
1	3.3V/14A	11	3.3V/14A
2	3.3V/14A	12	-12V
3	Ground	13	Ground
4	+5V	14	PS-ON
5	Ground	15	Ground
6	+5V	16	Ground
7	Ground	17	Ground
8	PW-OK	18	-5V
9	5VSB	19	+5V
10	+12V	20	+5V



Important:

Your power supply must meet the ATX specification - supporting 3.3V/14A (minimum), otherwise your system will not boot properly.

2.9.16 DIMM/PCI Standby Power LED LED d'Alimentation de veille DIMM/PCI DIMM/PCI-Standby-Betriebsanzeige-LED



DIMM Standby Power LED

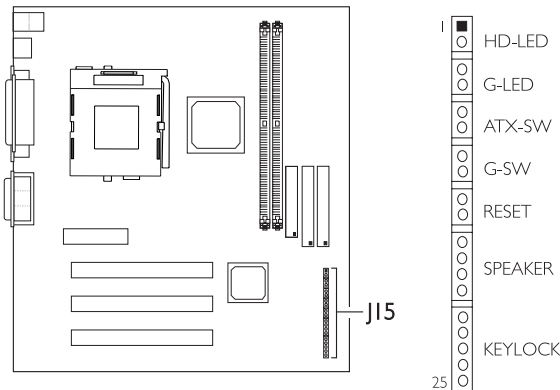
This LED will light when the system is in the power-on or Suspend mode. It will not light when the system is in the Soft-Off state.

PCI Standby Power LED

This LED will light when the system is in the power-on, Soft-Off or Suspend mode.

Lighted LEDs serve as a reminder that you must power-off the system then turn off the power supply's switch or unplug the power cord prior to installing any DIM modules or add-on cards.

2.9.17 LEDs and Switches Commutateurs et LED LEDs und Schalter



	Pin	Pin Assignment
HD-LED (Primary/Secondary IDE LED)	1	HDD LED Power
	2	HDD
	3	N. C.
G-LED (Green LED)	4	Green LED Power
	5	Green
	6	N. C.
ATX-SW (ATX power switch)	7	PWRBT
	8	Ground
	9	N. C.
G-SW (Green switch)	10	SMI
	11	Ground
	12	N. C.
RESET (Reset switch)	13	H/W Reset
	14	Ground
	15	N. C.
SPEAKER (Speaker connector)	16	Speaker Data
	17	N. C.
	18	Ground
	19	Speaker Power
	20	N. C.
KEYLOCK (Power/Standby LED and Keylock connector)	21	LED Power
	22	N.C.
	23	Standby Signal
	24	Keylock
	25	Ground
		Use pins 21-23 for the Power/Standby LED.

**Note:**

1. ATX-SW (ATX Power Switch) - Depending on the setting in the "Soft-Off By PWR-BTTN" field in the Power Management Setup, this switch is a "dual function power button" that will allow your system to enter the Soft-Off or Suspend mode.
2. When the system is in the S1 (POS - Power On Suspend) state, the Green LED and Power/Standby LED will blink every second.
3. When the system is in the S3 (STR - Suspend To RAM) state, the Power/Standby LED will blink every 4 seconds.

Chapter 3 - Award BIOS Setup Utility

Utilitaire de Configuration du Award BIOS

AWARD BIOS Konfigurationsprogramm

3.1 Entering the Award BIOS Setup Utility

Entrer Dans l'Utilitaire de Configuration du Award BIOS

Aufruf des AWARD BIOS Konfigurationsprogramms

Power-on the system and press to enter the utility. The main menu screen will appear.

Allumez le Système et appuyez sur pour entrer dans l'utilitaire. L'écran du programme principal apparaîtra.

Zum Aufrufen des Konfigurationsprogramms drücken Sie während des Startvorgangs die Taste . Ein Bildschirm ähnlich dem folgenden erscheint.

CMOS Setup Utility - Copyright (C) 1984-1999 Award Software

Standard CMOS Features	CPU Frequency Control
Advanced BIOS Features	Load Fail-Safe Defaults
Advanced Chipset Features	Load Optimized Defaults
Integrated Peripherals	Set Supervisor Password
Power Management Setup	Set User Password
PnP/PCI Configurations	Save & Exit Setup
System Health Monitor	Exit Without Saving
Esc : Quit	↑↓→← : Select Item
F10 : Save & Exit Setup	
Time, Date, Hard Disk Type...	

3.3 Selecting the Hard Drive and Floppy Drive Type

Sélectionnez le Type de Disque Dur et de Lecteur de Disquette

Auswahl der Festplatte und des Diskettenlaufwerks

CMOS Setup Utility - Copyright (C) 1984-1999 Award Software
Standard CMOS Features

Date (mm:dd:yy)	Sat, Jan 2 1999	Item Help
Time (hh:mm:ss)	4 : 35 : 5	Menu Level
IDE Primary Master	Press Enter None	To enter next page for detail hard drive settings.
IDE Primary Slave	Press Enter None	
IDE Secondary Master	Press Enter None	
IDE Secondary Slave	Press Enter None	
Drive A	1.44M, 3.5 in.	
Drive B	None	
Video	EGA/VGA	
Halt On	All Errors	
Base Memory	640K	
Extended Memory	129024K	
Total Memory	130048K	
↑↓→← Move Enter:Select +/-/PU/PD:Value F10:Save ESC:Exit F1:General Help F5:Previous Values F6:Fail-Safe Defaults F7:Optimized Defaults		

1. Select "Standard CMOS Features" in the main menu screen and press <Enter>.

Sélectionnez "Standard CMOS Features" dans l'écran du programme principal et appuyez sur <Entrée>.

"Standard CMOS Features" in dem Hauptbildschirm auswählen, und die Eingabetaste (Enter) drücken.

2. Move the cursor to the "IDE Primary Master", "IDE Primary Slave", "IDE Secondary Master" or "IDE Secondary Slave" field, then press <Enter>.
 - Select "IDE HDD Auto Detection" to detect the parameters of the drive. These parameters will automatically be shown on the screen.
 - If you wish to define your own drive type manually, select "Manual". This information should be included in the documentation from your hard disk vendor. If you select "Auto", the BIOS will auto-detect the HDD & CD-ROM drive at the POST stage and show the IDE for the HDD & CD-ROM drive. If a hard disk has not been installed, select "None".
 - Move to the "Access Mode" field. For hard drives larger than 528MB, you would typically select the LBA type. Certain

operating systems require that you select Normal or Large. Please check your operating system's manual or Help desk on which one to select.

Déplacez le curseur sur le champ de "IDE Primary Master", "IDE Primary Slave", "IDE Secondary Master" ou "IDE Secondary Slave", puis appuyez sur <Entrée>.

- Sélectionnez "IDE HDD Auto Detection" pour détecter les paramètres du disque dur. Ces paramètres seront automatiquement affichés à l'écran.
- Si vous désirez définir votre propre lecteur manuellement, sélectionnez "Manual". Ces informations devraient être incluses dans la documentation provenant du fabricant de votre disque dur. Si vous sélectionnez "Auto", le BIOS détectera automatiquement le Disque Dur & le lecteur CD-ROM durant la phase du POST et affichera le IDE pour le Disque Dur & et le lecteur CD-ROM. Si aucun disque dur n'a été installé, sélectionnez "None".
- Déplacez vous sur le champ "Access Mode". Pour les disques durs d'une capacité supérieure à 528 Mo, vous sélectionnerez d'une façon générale le type LBA. Certains systèmes d'exploitation nécessitent que vous sélectionniez Normal ou Large. Veuillez vous reporter au manuel de votre système d'exploitation ou à l'Aide en ce qui concerne celui que vous devez sélectionner.

Den Cursor auf das Feld "IDE Primary Master", "IDE Primary Slave", "IDE Secondary Master" oder "IDE Secondary Slave" bewegen und dann die Eingabetaste (Enter) drücken.

- Wählen Sie "IDE HDD Auto Detection" aus, um die Parameter des Laufwerks zu entdecken. Diese Parameter erscheinen automatisch auf dem Schirm.
- Falls Sie Ihren Laufwerktyp selbst bestimmen möchten, wählen Sie "Manual" aus. Diese Informationen müssen im Handbuch von Ihrem Festplattenverkäufer vorhanden sein. Wählen Sie "Auto" aus, wird das Festplatten- und das CD-ROM-Laufwerk durch das BIOS automatisch entdeckt und der IDE für das Festplatten- und CD-ROM-Laufwerk wird angezeigt. Falls keine Festplatte installiert wurde, wählen Sie "None" aus.
- Den Cursor auf das Feld "Access Mode" bewegen. Für Festplattenlaufwerke mit einer Kapazität von mehr als 52MB wird typischerweise der LBA-Typ ausgewählt. Für bestimmte Betriebssysteme muß "Normal" oder "Large" ausgewählt werden. Angaben zur richtigen Auswahl sind im Handbuch des Betriebssystems oder im Hilfe-Desk enthalten.

- Set the type of floppy drive installed in the "Drive A" and "Drive B" fields. The options are None, 360K, 1.2M, 720K, 1.44M and 2.88M.

Paramétrez le type de lecteur de disquette installé dans les champs "Drive A" et "Drive B". Les options sont None, 360K, 1.2M, 720K, 1.44M et 2.88M.

Im Eintrag "Floppy Drive" (Diskettenlaufwerk) wählen Sie "Drive A" (Laufwerk A) und "Drive B" (Laufwerk B). Die Optionen sind None (Kein), 360K, 1.2M, 720K, 1.44M und 2.88M.

3.4 Selecting the Boot Sequence of the Drives Sélection de la Séquence d'Amorçage des Lecteurs Bestimmen der Startreihenfolge der Laufwerke

CMOS Setup Utility - Copyright (C) 1984-1999 Award Software
Advanced BIOS Features

Virus Warning	Disabled	Item Help
CPU L1 Cache	Enabled	
CPU L2 Cache	Enabled	Menu Level
CPU L2 Cache ECC Checking	Enabled	Select your boot device priority.
Quick Power On Self Test	Enabled	
First Boot Device	Floppy	
Second Boot Device	HDD-0	
Third Boot Device	LS/ZIP	
Boot Other Device	Enabled	
Swap Floppy Drive	Disabled	
Boot Up Floppy Seek	Disabled	
Boot Up NumLock Status	Off	
Typeomatic Rate Setting	Disabled	
Typeomatic Rate (Chars/Sec)	6	
Typeomatic Delay (Msec)	250	
Security Option	Setup	
OS Select For DRAM > 64MB	Non-OS2	
HDD S.M.A.R.T. Capability	Disabled	
↑↓←→ Move Enter:Select +/-/PU/PD:Value F10:Save ESC:Exit F1:General Help F5:Previous Values F6:Fail-Safe Defaults F7:Optimized Defaults		

- Select "Advanced BIOS Features" in the main menu screen and press <Enter>.

Sélectionnez "Advanced BIOS Features" dans l'écran de programme principal et appuyez sur <Entrée>.

"Advanced BIOS Features" in dem Hauptbildschirm auswählen, und die Eingabetaste (Enter) drücken.

- Select the drive to boot first, second and third in the "First Boot Device" "Second Boot Device" and "Third Boot Device" fields respectively. The BIOS will boot the operating system according to the sequence of the drive selected. The options are: Floppy, LS/ZIP, HDD-0, SCSI, CDROM, HDD-1, HDD-2, HDD-3, LAN

and Disable. Set "Boot Other Device" to Enabled if you wish to boot from another device.

Sélectionnez le lecteur sur lequel amorcer en premier, en second et en troisième dans les champs "First Boot Device" "Second Boot Device" et "Third Boot Device" respectivement. Le BIOS amorcera le système d'exploitation en fonction de la séquence de lecteur sélectionnée. Les options sont: Floppy, LS/ZIP, HDD-0, SCSI, CDROM, HDD-1, HDD-2, HDD-3, LAN et Disable. Positionnez "Boot Other Device" sur Enabled si vous désirez amorcer à partir d'un autre périphérique.

Im Feld "First Boot Device" "Second Boot Device" und "Third Boot Device" wählen Sie jeweils das Gerät aus, das als erstes, zweites bzw. drittes geladen werden soll. Das Betriebssystem wird durch das BIOS gemäß der Reihenfolge des ausgewählten Laufwerks geladen. Die Optionen sind: Floppy, LS/ZIP, HDD-0, SCSI, CDROM, HDD-1, HDD-2, HDD-3, LAN und Disable. Stellen Sie "Boot Other Device" auf Enabled, falls Sie von einem anderen Gerät aus laden möchten.

3.5 Enabling the AC97 Modem

Activation du Modem AC97

Das AC97-Modem aktivieren

CMOS Setup Utility - Copyright (C) 1984-1999 Award Software
Integrated Peripherals

		Item Help
On-Chip Primary PCI IDE	Enabled	Menu Level
On-Chip Secondary PCI IDE	Enabled	
IDE Primary Master PIO	Auto	
IDE Primary Slave PIO	Auto	
IDE Secondary Master PIO	Auto	
IDE Secondary Slave PIO	Auto	
IDE Primary Master UDMA	Auto	
IDE Primary Slave UDMA	Auto	
IDE Secondary Master UDMA	Auto	
IDE Secondary Slave UDMA	Auto	
USB Controller	Enabled	
USB Keyboard Support	Disabled	
Init Display First	PCI Slot	
AC97 Audio	Enabled	
AC97 Modem	Disabled	
IDE HDD Block Mode	Enabled	
Keyboard/Mouse Power On	Disabled	
X KB Power On Password	Enter	
X KB Power On Hot Key	Ctrl-F1	

↑↓←→ Move Enter:Select +/-/PU/PD:Value F10:Save ESC:Exit F1:General Help
F5:Previous Values F6:Fail-Safe Defaults F7:Optimized Defaults

- Select "Integrated Peripherals" in the main menu screen and press <Enter>.

Sélectionnez "Integrated Peripherals" dans l'écran de programme principal et appuyez sur <Entrée>.

Im "Keyboard/Mouse Power On" Feld sind folgende Optionen möglich:

Disabled Default setting / Valeur par défaut / Voreinstellung.



Warning / Attention / Warnung:

If JP5 was previously enabled with a password set in the "KB Power On Password" field, and now you wish to disable the keyboard password function, make sure to set this field to disabled prior to setting JP5 to disabled (1-2 On). You will not be able to boot up the system if you fail to do so.

Si JP5 a été activé précédemment avec un mot de passe paramétré dans le "KB Power On Password", et que vous désiriez maintenant désactiver la fonction de Réveil par Clavier (mot de passe), assurez-vous de positionner le champ sur désactivé avant de positionner JP5 sur désactivé (1-2 Sélectionné). Si vous ne procédez pas ainsi, vous ne pourrez pas amorcer le système.

Falls JP5 zuvor mit einem Kennwort im Feld "KB Power On Password" aktiviert worden ist und Sie nun die Funktion Wake-On-Keyboard (Kennwort) deaktivieren wollen, muß dieses Feld auf Deaktiviert eingestellt werden, bevor JP5 auf Deaktiviert (1-2 Ein) eingestellt wird, da sonst das System nicht gestartet werden kann.

Password When this option is selected, move the cursor to the "KB Power On Password" field and press <Enter>. Enter your password. You can enter up to 5 characters. Type in exactly the same password to confirm, then press <Enter>.

Quand cette option est sélectionnée, la rubrique "KB Power On Password" apparaîtra. Déplacez votre curseur dans cette rubrique et appuyez sur Entrée. Entrez votre mot de passe. Vous pouvez entrer jusqu'à 5 caractères. Tapez exactement le même mot de passe pour confirmer et appuyez sur Entrée.

Wenn diese Option gewaehlt wird, wird das "KB Power On Password" -Feld erscheinen. Bewegen Sie den Cursor auf dieses Feld und druecken Sie <Enter>. Geben Sie Ihr Passwort ein. Sie koennen bis zu 5 Zeichen eingeben. Tippen Sie nocheinmal genau dasselbe Passwort ein, um dieses zu bestaetigen und druecken Sie dann <Enter>.



Important / Important / Wichtig:

The power button will not function once a keyboard password has been set in the "KB Power On Password" field. You must type the correct password to power-on the system. If you forgot the password, power-off the system and remove the battery. Wait for a few seconds and install it back before powering-on the system.

Le bouton de mise sous tension ne fonctionnera plus une fois qu'un mot de passe aura été entré dans le champ "KB Power On Password". Vous devez taper le mot de passe correct pour allumer votre système. Si vous oubliez votre mot de passe, éteignez le système et retirez la batterie. Attendez quelques secondes et réinstallez-la avant de rallumer le système.

Nach dem Einstellen eines Tastatur-Kennwortes im Feld "KB Power On Password" wird die Netztaete nicht funktionieren. Zum Einschalten des Systems mu das richtige Kennwort eingegeben werden. Falls Sie das Kennwort vergessen haben, schalten Sie das System aus. Dann die Batterie entfernen. Warten Sie einige Sekunden und installieren Sie danach die Batterie wieder, bevor Sie das System erneut einschalten.

Hot Key When this option is selected, move the cursor to the "KB Power On Hot Key" field to select a function key you would like to use to power-on the system. The options are from Ctrl-F1 to Ctrl-F12.

Quand cette option est choisie, la rubrique "KB Power On Hot Key" apparaîtra. Déplacez le curseur dans cette rubrique pour sélectionner la touche de fonction que vous souhaitez utiliser pour allumer le système. Les options vont de Ctrl-F1 à Ctrl-F12.

Wenn diese Option gewählt wird, wird das Feld fuer die "KB Power On Hot Key" fuer den Start des Computers erscheinen. Bewegen Sie die Maus auf dieses Feld um eine Tastenkombination zu waelhlen, mit der Sie das System starten moechten. Die Optionen sind Ctrl-F1 bis Ctrl-F12.

Mouse Left When this option is selected, double-click the left button of the mouse to power-on the system.

Quand cette option est choisie, double-cliquez sur le bouton gauche de la souris pour allumer le système.

Wenn diese Option gewählt wird, druecken Sie zweimal die linke Maustaste, um das System zu starten.

Mouse Right When this option is selected, double-click the right button of the mouse to power-on the system.

Quand cette option est choisie, double-cliquez sur le bouton droit de la souris pour allumer le système.

Wenn diese Option gewählt wird, druecken Sie zweimal die rechte Maustaste, um das System zu starten.

Any Key You can press any key to power-on the system.

Vous pouvez appuyez sur n'importe quelle touche pour allumer le système.

Sie koennen jede Taste druecken, um das System zu starten.

Keyboard 98 When this option is selected, press the "wake up" key of the Windows® 98 compatible keyboard to power-on the system.

Quand cette option est sélectionnée, appuyez sur la touche "Réveil" du clavier compatible Windows® 98 pour activer le système.

Wenn diese Option gewählt wurde, drücken Sie die "Aufweck"-Taste der mit dem Windows® 98 kompatiblen Tastatur, um das System einzuschalten.



Important / Important / Wichtig:

Make sure JP5 is set to 2-3 On. Refer to "Jumper Settings for Wake-On-Keyboard/Wake-On-Mouse" in chapter 2 of this manual for more information.

Assurez vous que JP5 est positionné sur la sélection 2-3. Pour plus de renseignements, reportez-vous à "Positionnement des Cavaliers pour Réveil-Sur-Clavier/Souris" au chapitre de ce manuel.

Es ist darauf zu achten, daß sich JP5 in der Einstellung 2-3 An befindet. Schauen Sie unter "Jumpereinstellungen für die Wake-On-Tastatur/Maus" in Kapitel 2 dieses Handbuches nach, um weitere Information zu erhalten.

3.7 Selecting the Power Lost Resume State

Choisir l'état de Redémarrage Après Coupure de Courant

Auswählen des "PWR Lost Resume" Status

CMOS Setup Utility - Copyright (C) 1984-1999 Award Software
Integrated Peripherals

		Item Help
AC97 Modem	Disabled	Menu Level
IDE HDD Block Mode	Enabled	
Keyboard/Mouse Power On	Disabled	
KB Power On Password	Enter	
KB Power On Hot Key	Ctrl-F1	
Onboard FDC Controller	Enabled	
Onboard Serial Port 1	3F8/IRQ4	
Onboard Serial Port 2	2F8/IRQ3	
UART2 Mode Select	Normal	
X RxD, TxD Active	Hi,Lo	
X IR Transmission Delay	Enabled	
Onboard Parallel Port	378/IRQ7	
Parallel Port Mode	ECP+EPP	
EPP Mode Select	EPP1.7	
ECP Mode Use DMA	3	
PWR Lost Resume State	Keep Off	
Game Port Address	201	
Midi Port Address	Disabled	
X Midi Port IRQ	5	

↑↓←→ Move Enter:Select +/-/PU/PD:Value F10:Save ESC:Exit F1:General Help
F5:Previous Values F6:Fail-Safe Defaults F7:Optimized Defaults

- Select "Integrated Peripherals" in the main menu screen and press <Enter>.

Sélectionnez "Integrated Peripherals" dans l'écran de programme principal et appuyez sur <Entrée>.

"Integrated Peripherals" in dem Hauptbildschirm auswählen, und die Eingabetaste (Enter) drücken.

2. Select the "PWR Lost Resume State" field. The options are:

Sélectionnez "PWR Lost Resume State". Les options sont

In dem Feld "PWR Lost Resume State". Die Optionen sind:

Keep Off When power returns after an AC power failure, the system's power is off. You must press the Power button to power-on the system.

Quand l'alimentation revient après une coupure d'alimentation CA, le système est éteint. Vous devez appuyer sur l'interrupteur d'Alimentation pour allumer le système.

Beim Wiederherstellen der Stromversorgung nach einem Wechselstromausfall wird der Betrieb des Systems ausgeschaltet. Drücken Sie auf die Netztaste, um das System einzuschalten.

Turn On When power returns after an AC power failure, the system will automatically power-on.

Quand l'alimentation revient après une coupure d'alimentation CA, le système s'allumera automatiquement.

Beim Wiederherstellen der Stromversorgung nach einem Wechselstromausfall wird das System automatisch eingeschaltet.

Last State When power returns after an AC power failure, the system will return to the state where you left off before power failure occurs. If the system's power is off when AC power failure occurs, it will remain off when power returns. If the system's power is on when AC power failure occurs, the system will power-on when power returns.

Quand l'alimentation revient après une coupure d'alimentation CA, le système retournera à l'état où vous l'avez laissé avant la coupure d'alimentation. Si le système est éteint quand la coupure d'alimentation CA se produit, il restera éteint lorsque le courant sera rétabli. Si le système est allumé quand la coupure d'alimentation se produit, le système s'allumera lorsque le courant sera rétabli.

In dem Feld "CPU Ratio". Die Optionen sind: X 3, X 3.5, X 4, X 4.5, X 5, X 5.5, X 6, X 6.5, X 7 und X 7.5.



Important / Important / Wichtig:

The frequency ratio of some processors has been fixed by the manufacturer, therefore you will not be able to overclock them. If you are using this kind of processor, please ignore this section.

Le rapport de fréquence de certains processeurs a été fixé par le fabricant. De ce fait vous ne pourrez pas pousser l'horloge du processeur. Si vous utilisez cette sorte de processeurs, veuillez ignorer cette section.

Das Frequenzverhältnis einiger Prozessoren wurde bereits werkseitig durch den Hersteller festgelegt. Bei solchen Prozessoren ist das Übertakten nicht möglich. Falls Sie diesen Prozessortyp anwenden, überspringen Sie diesen Abschnitt.

3.9 Using the Suspend to RAM Function

Utilisation de la Fonction de Suspension sur RAM Anwendung der Funktion "Suspendieren auf RAM"

CMOS Setup Utility - Copyright (C) 1984-1999 Award Software
Power Management Setup

		Item Help
ACPI Function	Disabled	
ACPI Suspend Type	S1(POS)	
Power Management	User Define	Menu Level
Video Off Method	DPMS	
Video Off In Suspend	Yes	
Suspend Mode	Disabled	
HDD Power Down	Disabled	
Soft-Off By PWR-BTTN	Instant-Off	
Resume on PCI Event	Disabled	
Resume on Ring	Disabled	
Resume on LAN	Disabled	
Resume on Alarm	Disabled	
X Date(of Month) Alarm	0	
X Time (hh:mm:ss) Alarm	0 : 0 : 0	
↑↓→← Move Enter:Select +/-/PU/PD:Value F10:Save ESC:Exit F1:General Help F5:Previous Values F6:Fail-Safe Defaults F7:Optimized Defaults		

- I. Select "Power Management Setup" in the main menu screen and press <Enter>.

Sélectionnez "Power Management Setup" dans l'écran de programme principal et appuyez sur <Enter>.

"Power Management Setup" in dem Hauptbildschirm auswählen, und die <Enter> drücken.

2. In the "ACPI Function" field, select "Enabled".
 Dans le champ "ACPI Function", sélectionnez "Enabled".
 Im Feld "ACPI Function" wählen Sie "Enabled" aus.
3. In the "ACPI Suspend Type" field, select "S3(STR)".
 Dans le champ "ACPI Suspend Type", sélectionnez "S3(STR)".
 Im Feld "ACPI Suspend Type" wählen Sie "S3(STR)" aus.
4. Press <Esc> to return to the main menu.
 Appuyez sur <Esc> pour retourner au menu principal.
 Die <Esc>-Taste drücken, um zum Hauptmenü zurückzukehren.
5. Select "Save & Exit Setup" and press <Enter>. Type <Y> and press <Enter>.
 Sélectionnez "Save & Exit Setup" et appuyez sur <Enter>, Tapez <Y> et appuyez sur <Enter>.
 "Save & Exit Setup" auswählen und die <Enter> drücken. Dann <Y> eingeben und die <Enter> drücken.
6. (a) Install Windows® 98 by typing the following parameter:
 This is to ensure that the ACPI function is supported.
 Installez Windows® 98 en tapant les paramètres suivants.
 Ceci sert à vous assurer que la fonction ACPI est supportée.
 Installieren Sie Windows® 98, indem Sie den folgenden Parameter eingeben. Hiermit wird sichergestellt, daß die ACPI-Funktion unterstützt wird.

```
[drive/lecteur/drive]:>setup /p j
```
- (b) If you have previously installed Windows® 98, you need to upgrade the system in order to support ACPI. Please contact Microsoft for upgrade information.
 Si vous avez installé Windows® 98 préalablement, vous avez besoin de mettre le système à niveau de façon à supporter ACPI. Veuillez contacter Microsoft pour les informations de mise à niveau.
 Falls Windows® 98 bereits installiert wurde, muß das System aktualisiert werden, damit ACPI unterstützt werden kann. Für weitere Informationen über die Aktualisierung wenden Sie sich an Microsoft.

7. Boot Windows® 98. In the Windows® 98 desktop, click the Start button. Move the cursor to Settings, then click Control Panel.

Démarrez Windows® 98. Sur le bureau de Windows® 98, cliquez sur le bouton Démarrer. Déplacez le curseur sur Paramètres, puis cliquez sur Panneau de Configuration.

Windows® 98 starten. Auf dem Windows® 98-Desktop klicken Sie auf Start. Dann den Cursor auf Einstellungen bewegen und auf Systemsteuerung klicken.

8. Double-click the System icon. In the System Properties dialog box, click the Performance tab.

Double cliquez sur l'icône Système. Dans la boîte de Propriétés Système, cliquez sur l'onglet Performances.

Auf das Symbol "System" doppelklicken. Im Dialogfenster "Systemeigenschaften" klicken Sie auf das Register "Leistung".

9. Click File System. In the "Typical role of this computer" field, select "Mobile or docking system". Click Apply, then click OK. Restart the computer.

Cliquez sur le Fichier Système. Dans le champ "Rôle Typique de cet Ordinateur", sélectionnez "Système Portable ou Station d'Accueil". Cliquez sur Appliquer, puis cliquer sur OK. Redémarrez l'ordinateur.

Auf "Dateisystem" klicken. Im Feld "Standardnutzung dieses Computers" wählen Sie "Mobiles oder Docksystem" aus. Auf "Applizieren" und dann auf OK klicken. Den PC neustarten.

10. Repeat step 7 to open the Control Panel dialog box. Double-click the Power Management icon.

Répétez l'étape 7 pour ouvrir la boîte de dialogue du Panneau de Configuration. Double cliquez sur l'icône Gestion d'Alimentation.

Zum Öffnen des Dialogfensters "Systemsteuerung" wiederholen Sie Schritt 7. Auf das Symbol "Power-Management" doppelklicken.

11. Click the Advanced tab. In the "When I press the power button on my computer" field, select "Standby".

Cliquez sur l'onglet Avancé. Dans le champ "Quand j'appuie sur le bouton d'alimentation de mon ordinateur", sélectionnez "Mise en Veille".

Auf das Register "Erweitert" klicken. Im Feld "Beim Drücken der Netztaete des PCs" wählen Sie "Standby" aus.

12. (a) After completing the steps above and you want to power-off the computer, you do not need to go through the process of closing files, applications and operating system. You can power-off the computer at once by pressing the power button or selecting "Standby" when you shut down Windows® 98.

Après avoir réalisé les étapes ci-dessus et si vous voulez éteindre l'ordinateur, vous n'avez pas besoin de passer par le processus de fermeture des fichiers, des applications et du système d'exploitation. Vous pouvez éteindre l'ordinateur directement en appuyant sur le bouton d'alimentation ou en sélectionnant "Mise en Veille" quand vous fermez Windows® 98.

Nachdem Sie die obigen Schritte ausgeführt haben und den PC ausschalten möchten, muß der Vorgang zum Schließen der Dateien, Anwendungen und des Betriebssystems nicht ausgeführt werden. Der PC kann direkt durch Drücken der Netztaete oder durch Auswählen von "Standby" beim Abschalten des Windows® 98 ausgeschaltet werden.

- (b) To power-on the computer, just press the power button. The operating session where you left off when you power-off the computer will resume in not more than 8 seconds. However, the power button will not function if a keyboard password has been set in the "KB Power On Password" field of the Integrated Peripherals submenu. You must type the password to power-on the computer:

Pour allumer l'ordinateur, appuyez simplement sur le bouton d'alimentation. La session que vous avez laissée quand vous avez éteint l'ordinateur reprendra en moins de 8 secondes. Cependant, le bouton d'alimentation ne fonctionnera pas si un mot de passe de clavier a été paramétré dans le champ "KB Power On Password" du

sous menu de Integrated Peripherals.Vous devez taper le mot de passe pour allumer l'ordinateur:

Zum Einschalten des PCs einfach die Netztaete drücken. Der Betrieb wird in weniger als 8 Sekunden an der Stelle wieder aufgenommen, wo Sie den PC ausgeschaltet haben. Die Netztaete funktioniert jedoch nicht, falls ein Tastatur-Kennwort im Feld "KB Power On Password" des Submenüs Integrated Peripherals eingestellt wurde. In diesem Fall muß zum Einschalten des PCs das Kennwort eingegeben werden.

- (c) If you have changed the color or resolution (in the Display Properties dialog box), do not apply the settings without restarting.You must restart the computer:

Si vous avez changé la couleur ou la résolution (dans la boîte de dialogue de Propriétés d’Affichage), n’appliquez pas les paramètres sans redémarrer. Vous devez redémarrer l’ordinateur:

Falls die Farbe oder die Auflösung abgeändert wurde (im Dialogfenster "Bildschirmeigenschaften"), dürfen die Einstellungen ohne Neustarten nicht angewendet werden. Der PC muß neugestartet werden.

3.10 Loading Fail-Safe Defaults/Optimized Defaults

Charger les Paramètres à Sécurité Relative Optimaux

Laden der Fail - Safe Einstellungen / Optimierte Einstellungen

The "Load Fail-Safe Defaults" option loads the troubleshooting default values permanently stored in the ROM chips. These settings are not optimal and turn off all high performance features. You should use these values only if you have hardware problems. The "Load Optimized Defaults" option loads optimized settings from the BIOS ROM. Use the default values as standard values for your system.

L'option "Load Fail-Safe Defaults" charge les valeurs de recherche de pannes par défaut stockées de manière permanente dans les puces ROM. Ces paramètres ne sont pas optimum et désactives toutes les fonctionnalités à haute performance. Vous pouvez utiliser ces valeurs seulement si vous rencontrez des problèmes de matériel.

Mit dieser Funktionen lassen sich Standardeinstellungen in dem permanenten ROM Speicher ablegen, die in Problemfällen geladen werden. Mit dieser Einstellung läßt sich der Computer im

Standardmodus starten. Sie sollten diese Werte nur dann benutzen, wenn Hardwareprobleme etc. eine Starten des Computers nicht zulassen. Mit der Auswahl "Load Optimized Defaults" lassen sich die optimierten Einstellungen von dem BIOS ROM abrufen. Die optimierten Einstellungen sind der Standardwert.

3.1.1 Setting the Supervisor/User Password

If you want to protect your system and the setup utility from unauthorized entry, set a password in the "Set Supervisor Password" field. If you want a user to have access only to your system but not to setup, set a password in the "Set User Password" field. Use the arrow keys to highlight the "Set Supervisor Password" or "Set User Password" field and press <Enter>. The following message will appear:

Enter Password:

Type in the password. You can enter up to eight characters only. You will then be prompted to confirm the password. Type in exactly the same password.

Make sure to set the "Security Option" field in the Advanced BIOS Features submenu to "System" or "Setup". This will depend on when you would like the system to be prompted with a password.

Définir le Mot de Passe Superviseur/Utilisateur

Si vous désirez protéger votre système et Install contre toute entrée non autorisée, paramétrez un mot de passe dans le champ "Set Supervisor Password". Si vous désirez protéger l'accès à Install seulement, mais pas votre système, paramétrez un mot de passe dans le champ "Set User Password". Utilisez les touches fléchées pour sélectionner le champ "Set Supervisor Password" ou "Set User Password" et appuyez sur <Entrée>. Le message ci-dessous apparaîtra.

Enter Password:

Entrez le mot de passe. Vous êtes limité à huit caractères. Une fois que c'est fait, vous serez invité à confirmer le mot de passe, entrez exactement le même mot de passe.

Assurez vous de positionner le champs "Security Option" dans les Advanced BIOS Features submenu sur "System" ou "Setup". Cela dépend du moment où vous désirez que le système vous demande le mot de passe.

Aktivieren eines Supervisor / Benutzer Paßwortes

Wenn Sie das "Set Supervisor Password" aktivieren, müssen Sie vor dem Einstieg in das Konfigurationsprogramm ein Kennwort eingeben., während das "Set User Password" den Zugang zu dem Computer ermöglicht. Wählen Sie den Eintrag "Set Supervisor Password" bzw. "Set Supervisor Password" und betätigen Sie die Eingabetaste (Enter). Im erscheinenden Dialogfeld.

Enter Password:

Geben Sie Ihr Kennwort mit bis zu 8 Stellen ein. Betätigen Sie die Eingabetaste und geben Sie das Kennwort als Bestätigung erneut ein.

Es ist darauf zu achten, daß das Feld "Security Option" in dem Advanced BIOS Features submenu auf "System" oder "Setup" gesetzt ist.

Chapter 4 - Supported Softwares

Logiciels Supportés

Unterstützte Software

4.1 Hardware Doctor Utility

Hardware Doctor Utilitaires

Hardware Doctor Hilfsprogramme

The system board comes with a Hardware Doctor utility contained in the provided CD. This utility is capable of monitoring the system's "health" conditions and allows you to manually set a range (Highest and Lowest Limit) to the items being monitored. If the settings/values are over or under the set range, a warning message will pop-up. The utility can also be configured so that a beeping alarm will sound whenever an error occurs. We recommend that you use the "Default Setting" which is the ideal setting that would keep the system in good working condition.



Note:

Use this utility only in Windows® 95 or Windows® 98 operating system.

To install the utility, insert the CD (included in the system board package) into a CD-ROM drive. The autorun screen (Main Board Utility CD) will appear. Click the Hardware Doctor button to install the utility.

4.2 INF Update Utility for Windows® 95/98

INF Utilitaires Pour Windows® 95/98

INF Hilfsprogramme Zum Windows® 95/98

The CD included in the system board package contains the INF Update utility. If you are using Windows® 95 (Windows® 95, Windows® 95+, Windows® 95 OSR1: Windows® 95 OEM Service Release 1, Windows® 95 OSR2: Windows® 95 OEM Service Release 2.0 or Windows® 95 OSR2.1: Windows® 95 OEM Service Release 2.0 plus USB Supplement) or Windows® 98, you need to install the utility. The utility is used for updating Windows® 95/98's INF files so that the Intel 810 series chipsets can be recognized and configured properly in the system. To install:

1. Insert the CD into a CD-ROM drive. The autorun screen (Main Board Utility CD) will appear.

2. Click "INF Update".
3. The "Welcome" screen will appear. Click "Next".
4. The "Software License Agreement" screen will appear. Click "Yes".
5. The "Readme Information" screen will appear. You can view the content of the utility's readme in this screen. Click "Next".
6. The "Choose Destination Location" screen will appear showing where the utility will be located. Click "Next".
7. The "Actions" screen will appear. Click "Next" to install the utility.
8. Restart the system.
9. Follow the prompts on the screen to continue with the installation.

**Note:**

If you are using Windows® 95B and you want to use the USB device, you must first install the USBSUPP program before installing the INF Update. Please contact Microsoft for this program.

4.3 Installing the Graphics Driver

Installation des Drivers Pour La Graphique

Installation des Grafik Treibers

1. Insert the CD into a CD-ROM drive. The autorun screen (Main Board Utility CD) will appear.
2. Click "Graphics Driver".
3. The "Welcome" screen will appear. Click "Next".
4. The "Software License Agreement" screen will appear. Click "Yes".
5. Choose the destination you would like the driver to be located then click "Next" to start installing the driver.
6. Click "Finish".
7. The system will restart.

Windows 2000 VGA Driver Installation Notes

The Windows 2000 VGA driver auto-installation function is not supported. To install the driver, please follow Windows VGA installation procedures. If you need the "I81XNT5.INF" file, please locate the file in "VgaDrv\Win2KCD\Win2000\" that is contained in the CD included in the system board package.

4.4 Installing the Sound Driver

Installation des Drivers Pour La Sonne

Installation des Sound Treiber

1. Insert the CD into a CD-ROM drive. The autorun screen (Main Board Utility CD) will appear.
2. Click "Sound Driver".
3. The "Welcome" screen will appear. Click "Next" to install the driver.
4. The system will restart.
5. Follow the prompts to continue with the installation.

4.5 Drivers and Utilities Installation Notes

Note Pour Installation des Drivers et des Utilitaires

Anmerkungen zur Treiber und Utilities Installation

1. "Autorun" ONLY supports the Windows® 95, Windows® 98 and Windows NT® 4.0 operating systems. If after inserting the CD, "Autorun" did not automatically start (which is, the Main Board Utility CD screen did not appear), please go directly to the root directory of the CD and double-click "Autorun".
2. Please go to DFI's web site at "<http://www.dfi.com/support/download1.asp>" for the latest version of the drivers or software applications.
3. All steps or procedures to install software drivers are subject to change without notice as the softwares are occasionally updated. Please refer to the readme files, if available, for the latest information.

Appendix A - System Error Message

Messages d'Erreur du Système

Fehlernachricht des Systems

When the BIOS encounters an error that requires the user to correct something, either a beep code will sound or a message will be displayed in a box in the middle of the screen and the message, **PRESS F1 TO CONTINUE, CTRL-ALT-ESC or DEL TO ENTER SETUP**, will be shown in the information box at the bottom. Enter Setup to correct the error.

A.1 POST Beep / Pip de POST / Akustisches POST-Signal

There are two kinds of beep codes in the BIOS. One code indicates that a video error has occurred and the BIOS cannot initialize the video screen to display any additional information. This beep code consists of a single long beep followed by three short beeps. The other code indicates that a DRAM error has occurred. This beep code consists of a single long beep.

A.2 Error Messages / Messages d'Erreur / Fehlernachrichten

One or more of the following messages may be displayed if the BIOS detects an error during the POST. This list indicates the error messages for all Awards BIOSes:

CMOS BATTERY HAS FAILED

The CMOS battery is no longer functional. It should be replaced.



Caution:

Danger of explosion if battery incorrectly replaced. Replace only with the same or equivalent type recommended by the manufacturer. Dispose of used batteries according to the battery manufacturer's instructions.

CMOS CHECKSUM ERROR

Checksum of CMOS is incorrect. This can indicate that CMOS has become corrupt. This error may have been caused by a weak battery. Check the battery and replace if necessary.

DISPLAY SWITCH IS SET INCORRECTLY

The display switch on the motherboard can be set to either monochrome or color. This indicates the switch is set to a different

setting than indicated in Setup. Determine which setting is correct, either turn off the system and change the jumper or enter Setup and change the VIDEO selection.

FLOPPY DISK(S) fail (80)

Unable to reset floppy subsystem.

FLOPPY DISK(S) fail (40)

Floppy type mismatch.

Hard Disk(s) fail (80)

HDD reset failed.

Hard Disk(s) fail (40)

HDD controller diagnostics failed.

Hard Disk(s) fail (20)

HDD initialization error.

Hard Disk(s) fail (10)

Unable to recalibrate fixed disk.

Hard Disk(s) fail (08)

Sector Verify failed.

Keyboard is locked out - Unlock the key

The BIOS detects that the keyboard is locked. Keyboard controller is pulled low.

Keyboard error or no keyboard present

Cannot initialize the keyboard. Make sure the keyboard is attached correctly and no keys are being pressed during the boot.

Manufacturing POST loop

System will repeat POST procedure infinitely while the keyboard controller is pull low. This is also used for the M/B burn in test at the factory.

BIOS ROM checksum error - System halted

The checksum of ROM address F0000H-FFFFFH is bad.

Memory test fail

The BIOS reports memory test fail if the memory has error(s).