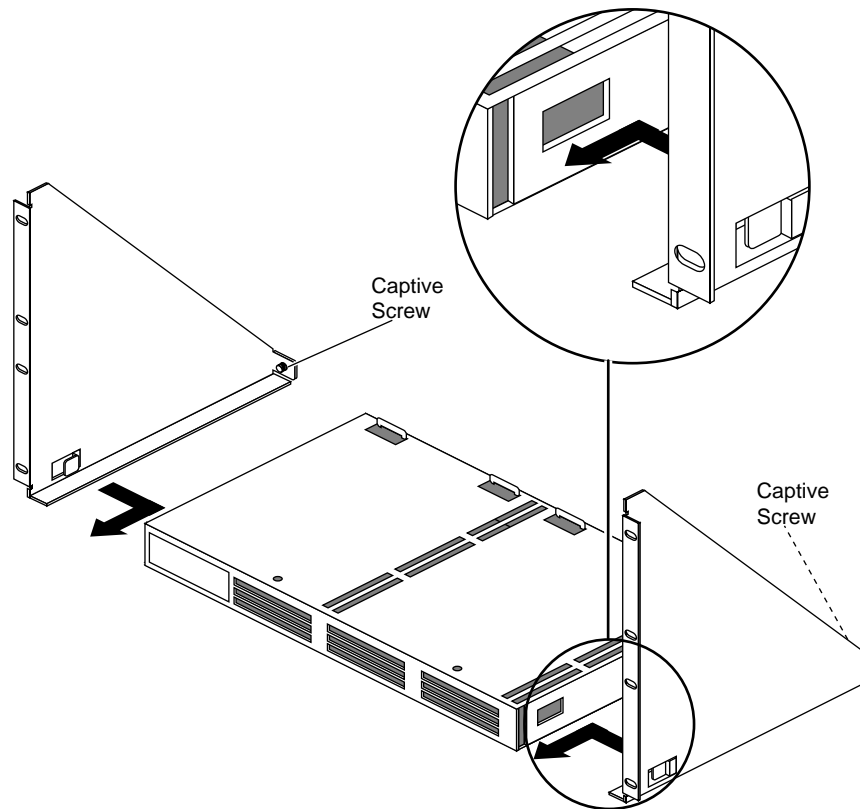
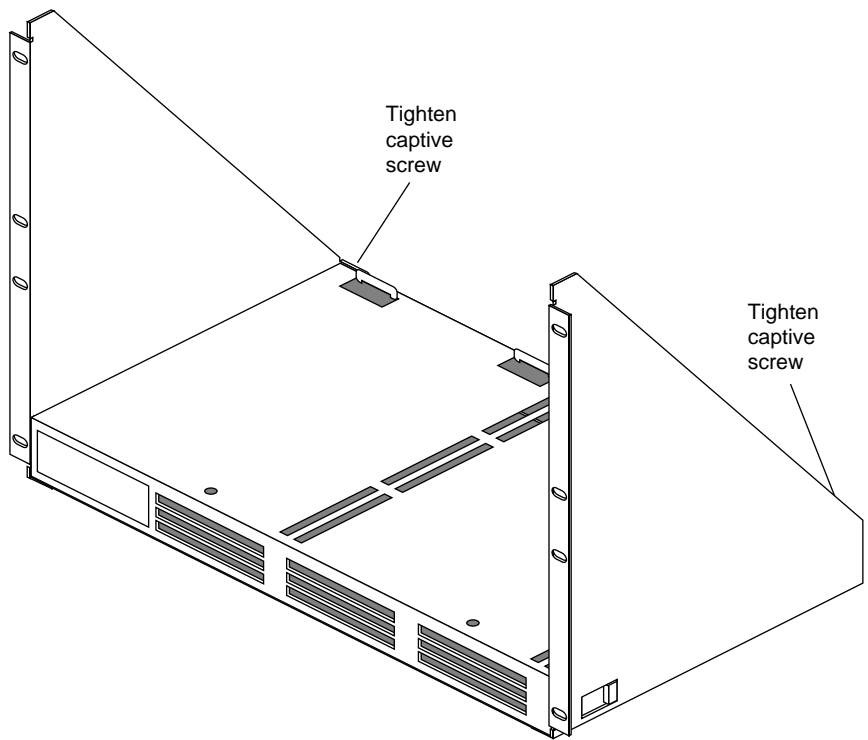

Installing the O2™ Workstation in the Rack Shelf

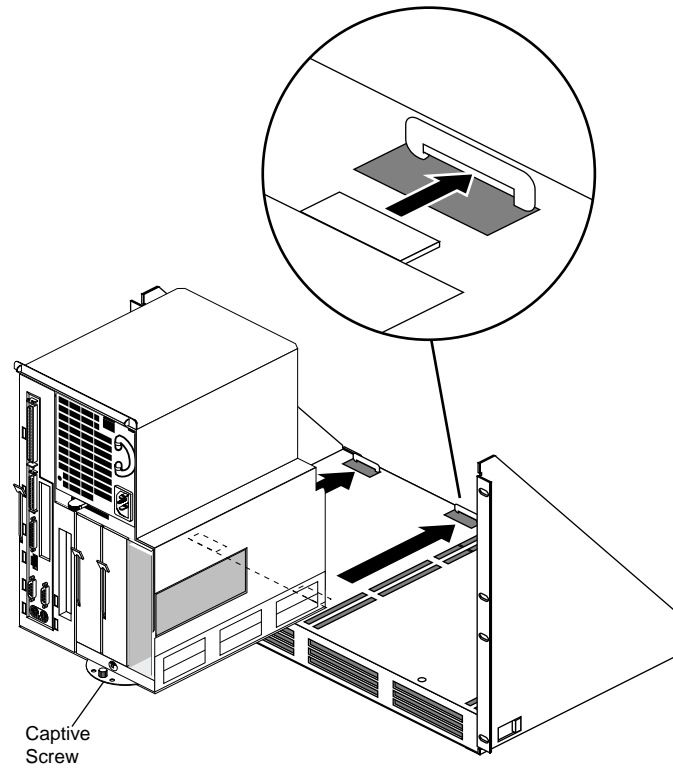
Follow these instructions to set up the rack shelf and to install your O2 workstation in the assembled unit. You can install two O2's on a shelf.



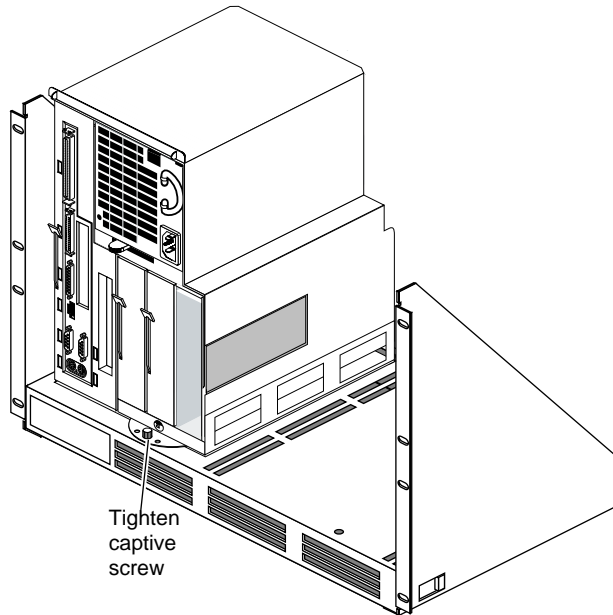
1. Insert each end piece into the appropriate slot on the base.



2. Tighten the two captive screws on the rear of the shelf.
3. Install the shelf into the rack. It's easier to install or remove the O2 workstations after the shelf is installed in the rack. Installing the shelf may require two people.



4. Lower the skinless O2 workstation on to the shelf, and slide it toward the rear until the tabs on the workstation engage in the slots.



5. Tighten the captive screw on the rear of the workstation to secure it.

Vertical Space Requirements

When used with the mounting shelf provided, each chassis uses 7 U of vertical rack space (12 inches, or 30.5 cm). One U is equal to 1.75 inches or 4.445 cm.

Vibration Ratings

The mounting shelf provided with this kit does not provide dampening or insulation from excess mechanical vibration and shock.

If you are installing the O2 workstation in a location that is subject to shock and vibration in excess of the values to which this unit was rated, you should obtain an appropriate mounting system. Table 1 shows the vibration ratings for the O2 workstation.

Table 1 Vibration Rating for the O2 Workstation

0.02" displacement	5-19 Hz
0.25 G	5 - 500 Hz

Mounting and Safety Considerations

The Silicon Graphics O2 workstation has been certified and licensed by international safety agencies for use as a stand-alone unit.

Although the hardware in this kit enables you to mount the O2 workstations in 19-inch equipment racks, installation in such racks may require submittal to an approved safety agency for evaluation, certification, and licensing of the new rack-system combination. Check with your local building inspector for requirements applicable to your location.

