

SGI® Total Performance 9400 and
SGI® Total Performance 9500
RAID User's Guide

007-4304-004

CONTRIBUTORS

Written by Marisa Daniels, Chris Perleberg, Sylvia Walker, Debbie Hill, and Danta Chandra

Updated by Matt Hoy

Illustrated by Dan Haines

Production by Karen Jacobson

Engineering contributions by Bill Andrews, Marty Castilla, Bill Lusche, Robert Novak, and Sammy Wilborn

COPYRIGHT

© 2002, Silicon Graphics, Inc. All rights reserved; provided portions may be copyright in third parties, as indicated elsewhere herein. No permission is granted to copy, distribute, or create derivative works from the contents of this electronic documentation in any manner, in whole or in part, without the prior written permission of Silicon Graphics, Inc.

LIMITED RIGHTS LEGEND

Use, duplication, or disclosure by the Government is subject to restrictions as set forth in the Rights in Data clause at FAR 52.227-14 and/or in similar or successor clauses in the FAR, or in the DOD, DOE or NASA FAR Supplements. Unpublished rights reserved under the Copyright Laws of the United States. Contractor/manufacturer is Silicon Graphics, Inc., 1600 Amphitheatre Pkwy., Mountain View, CA 94043-1351.

TRADEMARKS AND ATTRIBUTIONS

Silicon Graphics, SGI, and the SGI logo are trademarks of Silicon Graphics, Inc.

Cover design by Sarah Bolles, Sarah Bolles Design, and Dany Galgani, SGI Technical Publications

Record of Revision

Version	Description
001	August 2000 Original Printing
002	January 2001 Engineering Revisions
003	December 2001 Engineering Revisions
004	September 2002 Engineering Revisions

Contents

Record of Revision	iii
Figures	xi
Tables	xv
About This Guide.	xvii
Important Information	xvii
Chapter Descriptions	xviii
Related Publications	xix
Conventions	xx
Product Support	xxi
Reader Comments.	xxi
1. Introduction to the SGI TP9400 and SGI TP9500.	1
System Features	1
Rack Features	2
Controller Enclosure Features	3
Drive Enclosure Features	4
2. Controller Enclosures	5
Overview	5
Controller Canister	8
Battery Canister	11
Controller Fan Canister	12
Fan/Communications Canister	15
Diagnostic Interface Connectors	17
Power Supply Canister	18

Minihub Canister 19
Host Interface Connectors 21
Drive Interface Connectors 22
SFP Transceiver. 24
3. Operation of Controller Enclosures 25
Accessing the Controller 25
Turning the Power On. 26
Troubleshooting an Overtemp Condition and Power Supply Shutdown 28
Turning the Power On after an Overtemp Shutdown. 30
Turning the Power On after an Emergency Shutdown 31
Turning the Power Off 31
Monitoring Status with Software 32
Checking the Controller Enclosure Indicator Lights 33
Front Indicator Lights 34
Rear Indicator Lights 38
Checking the Battery Service Date 40
Moving the Controller Enclosure. 41
Removing the Controller Enclosure 42
Reinstalling the Controller Enclosure 44
4. Replacement of Controller Enclosure Components 45
Replacing a Failed Controller Canister 45
Returning a Failed or New Canister to Normal Operating Mode. 49
Replacing a Failed Battery Canister 51
Replacing a Failed Controller Fan Canister 55
Replacing a Failed Fan/Communications Canister. 57
Replacing a Failed Power Supply Canister 60
Replacing an SFP Transceiver. 62
Replacing a Failed Minihub Canister. 64
5. Drive Enclosures 67
Enclosure Types 67
10-Drive Enclosure 67
14-Drive Enclosure 70

Interface Connectors and Switches	72
Connectors and Switches on the 10-drive Enclosure	72
Connectors and Switches on the 14-drive Enclosure	74
Drive Enclosure Components	75
Drive Module	76
Fan Canister	77
Power Supply Canister	78
Environmental Status Module	80
SFP Transceivers	81
6. Operation of Drive Enclosures	83
Turning the Power On	83
Turning the Power On after an Unexpected Shutdown	84
Troubleshooting an Overtemp Condition	85
Turning the Power On After an Overtemp Shutdown	86
Turning the Power On after an Emergency Shutdown	86
Turning the Power Off	87
Monitoring Status with Software	88
Checking the Indicator Lights	89
Front Indicator Lights	90
Rear Indicator Lights	93
Moving the Drive Enclosure	97
Removing the Drive Enclosure	98
Reinstalling the Drive Enclosure	100
7. Replacement of Drive Enclosure Components	101
Replacing a Failed Drive Module	101
Replacing a Failed Fan Canister	104
Replacing a Failed Power Supply Canister	106
Replacing a Failed SFP Transceiver	109
Replacing a Failed Environmental Status Module	111
Upgrading Drives	114
Adding a Drive to an Empty Slot	114
Adding Drives of Larger Capacity	115

Adding Drive Enclosures	117
Connecting the New Drive Enclosure to a Controller Enclosure.	118
Connecting the New Drive Enclosure to an Existing Loop	118
8. Cabling	121
Connecting the Drive Loop Cables	121
Connecting Drive Cables to the Controller Enclosure	125
Connecting the System to the Hosts	129
Examples of Direct Host Connection Cabling	129
Examples of Fabric/Switch Host Connection Cabling	133
In-Band and Out-of-Band Array Management.	136
Powering On the System	138
A. Specifications and Requirements	143
Rack Specifications	143
Dimensions.	144
Weight	146
Area Requirements	146
Wiring and Power	148
Environmental	153
Controller Enclosure Specifications	154
Dimensions.	154
Weights	155
Wiring and Power	156
Environmental	157
Air Flow	158
Drive Enclosure Specifications	159
Dimensions.	159
Weights	161
Wiring and Power	163
Environmental	165
Air Flow	166
B. SGI Field Engineering Compliance Statements	167
Electromagnetic Emissions	167

Radio and Television Interference167
Product Safety168
Electrostatic Discharge169
Shielded Cables169
FCC Warning169
EMI Collar170
VDE 0871/6.78171
European Union Statement171
International Special Committee on Radio Interference (CISPR).171
Canadian Department of Communications Statement171
Attention171
Japanese Class A Compliance Statement172
Index173

Figures

Figure 1-1	Rack with Controller Enclosures and Drive Enclosures	2
Figure 2-1	Front and Rear Views of the Controller Enclosure	7
Figure 2-2	Redundant Controllers and Indicator Lights	8
Figure 2-3	Battery Canister.	11
Figure 2-4	Controller Fan Canister	13
Figure 2-5	Air Flow in the Controller Enclosure	14
Figure 2-6	Fan/Communications Canister and Fault Indicator	16
Figure 2-7	Diagnostic Interface Connectors on the Controller Enclosure (Rear).	17
Figure 2-8	Power Supplies and Indicators	18
Figure 2-9	Minihub Canister and Indicator Lights	20
Figure 2-10	Host Interface Connectors on the Controller Enclosure	22
Figure 2-11	Drive Minihub Connectors on the Controller Enclosure (Rear)	23
Figure 2-12	SFP Transceiver.	24
Figure 3-1	Removing the Front Cover of the Controller Enclosure	26
Figure 3-2	Turning the Power On.	28
Figure 3-3	Fan/Communications and Power Supply Indicators (Rear)	29
Figure 3-4	Controller Fan Fault Indicator (Front)	30
Figure 3-5	Front Indicator Lights on the Controller Enclosure (Cover in Place)	34
Figure 3-6	Front Indicator Lights on the Controller Enclosure (Cover Removed)	35
Figure 3-7	Rear Indicator Lights on the Controller Enclosure	38
Figure 3-8	Checking the Battery Service Date	41
Figure 3-9	Removing the Controller Enclosure from the Rack.	43
Figure 4-1	Removing the Front Cover of the Controller Enclosure	47
Figure 4-2	Removing and Installing a Controller Canister	48
Figure 4-3	Active Mode Dialog Box	50
Figure 4-4	Recording the Battery Support Information.	52
Figure 4-5	Removing and Installing a Battery Canister.	53
Figure 4-6	Battery Canister Indicators	54

Figure 4-7	Removing and Installing a Controller Fan Canister 56
Figure 4-8	Controller Fan Indicators 57
Figure 4-9	Fan/Communications Interface Cables and Fault Indicator 58
Figure 4-10	Removing and Installing a Fan/Communications Canister 59
Figure 4-11	Power Supply Switch, Connector, and Indicator 61
Figure 4-12	Removing and Installing a Power Supply Canister 62
Figure 4-13	Removing and Installing an SFP Transceiver 64
Figure 4-14	Removing and Installing a Minihub 66
Figure 5-1	Front View of the 10-Drive Enclosure. 68
Figure 5-2	Rear View of the 10-Drive Enclosure 69
Figure 5-3	Front View of the Drive Enclosure 71
Figure 5-4	Rear View of the Drive Enclosure 72
Figure 5-5	Connectors and Switches on the 10-drive Enclosure (Rear) 73
Figure 5-6	Connectors and Switches on the 14-drive Enclosure 74
Figure 5-7	Drive Module Numbering on the 10-Drive Enclosure 76
Figure 5-8	Drive Module Numbering on the 14-Drive Enclosure 77
Figure 5-9	Fan Canister and Drive Enclosure Air Flow 78
Figure 5-10	Power Supply Canisters in a Drive Enclosure 79
Figure 5-11	Power Supply Canister 79
Figure 5-12	Environmental Status Modules in the 10-drive Enclosure 80
Figure 5-13	Environmental Status Modules in the 14-drive Enclosure 81
Figure 5-14	Fibre Channel Cables and SFPs 82
Figure 6-1	Turning the Power On and Off 84
Figure 6-2	Front Indicator Lights on the 10-Drive Enclosure 91
Figure 6-3	Front Indicator Lights on the 14-Drive Enclosure 92
Figure 6-4	Rear Indicator Lights on the 10-Drive Enclosure 94
Figure 6-5	Rear Indicator Lights on the 14-Drive Enclosure 96
Figure 6-6	Removing the Front Bezel from the Drive Enclosure 98
Figure 6-7	Removing the Empty Drive Enclosure 99
Figure 7-1	Removing and Installing a Drive Module 102
Figure 7-2	Removing and Installing a Fan Canister 105
Figure 7-3	Fault Lights for Fan Canister Replacement 106
Figure 7-4	Removing and Installing a Power Supply Canister 107

Figure 7-5	Lever on Power Supply Canister108
Figure 7-6	Removing and Installing an SFP Transceiver110
Figure 7-7	Removing SFPs from the Environmental Status Module112
Figure 7-8	Removing and Installing an Environmental Status Module113
Figure 7-9	Adding a New Drive Enclosure to an Existing Loop120
Figure 8-1	Connecting Two Drive Enclosures into a Redundant Drive Loop122
Figure 8-2	Connecting Additional Drive Enclosures to Drive Loops A and B123
Figure 8-3	Connecting a Second Redundant Drive Loop124
Figure 8-4	Cabling Redundant Drive Loops to the Controller126
Figure 8-5	Two Drive Groups, Each with Redundant Drive Loops128
Figure 8-6	Direct Host Connect (1 Host, 2 HBA)130
Figure 8-7	Direct Host Connect (1 Host, 4 HBA)131
Figure 8-8	Direct Host Connect for Non-fail-over Configuration132
Figure 8-9	Direct Host Connect (2 Host, 4 HBA/Host)133
Figure 8-10	Switch Connect (1 Host, 2 HBA)134
Figure 8-11	Switch Connect (2 Host, 2 HBA/Host)135
Figure 8-12	Multi-Switch Connect (2 Host)136
Figure 8-13	Connecting Ethernet and Serial Interface Cables138
Figure 8-14	Connecting the Power Cords to the Controller Enclosure139
Figure 8-15	Connecting the Power Cords to the Drive Enclosure140
Figure 8-16	Securing the Power Cords in the Cord Clips141
Figure 8-17	Power Switches on the Drive Enclosure142
Figure 8-18	Power Switches and Alarm Switch on the Controller Enclosure142
Figure A-1	Rack Controller Enclosures and Drive Enclosures144
Figure A-2	Dimensions of the System Rack145
Figure A-3	System Area Requirements147
Figure A-4	Power Connections to Controller and Drive Enclosures150
Figure A-5	AC Power Connectors and Receptacles152
Figure A-6	Dimensions of the Controller Enclosure155
Figure A-7	Air Flow in the Controller Enclosure159
Figure A-8	Dimensions of the 10-Drive Enclosure160
Figure A-9	Dimensions of the 14-Drive Enclosure161
Figure A-10	Air Flow in the Drive Enclosure166

Tables

Table 2-1	Comparison of 4884 and 5884 Controllers	10
Table 3-1	Front Indicator Lights on the Controller Enclosure.	36
Table 3-2	Rear Indicator Lights on the Controller Enclosure	38
Table 5-1	Connectors and Switches on the 10-drive Enclosure (Rear)	73
Table 5-2	Connectors and Switches on the 14-drive Enclosure (Rear)	75
Table 6-1	Front Indicator Lights on the 10-drive Enclosure	91
Table 6-2	Front Indicator Lights on the 14-drive Enclosure	92
Table 6-3	Rear Indicator Lights on the 10-drive Enclosure	94
Table 6-4	Rear Indicator Lights on the 14-drive Enclosure	96
Table A-1	Rack, Crate, and Enclosure Weights146
Table A-2	System Weights with Typical Configurations148
Table A-3	AC Power Requirements (Domestic and International)149
Table A-4	AC Power Requirements for Typical Configurations149
Table A-5	Environmental Requirements.153
Table A-6	Altitude Requirements.153
Table A-7	Heat Dissipation Requirements154
Table A-8	Controller Enclosure Weights.155
Table A-9	Controller Canister Weights156
Table A-10	Site Wiring Voltages for Controller Enclosures (Single-Phase Line-to-Neutral)157
Table A-11	Altitude Requirements for Controller Enclosures157
Table A-12	Environmental Requirements for Controller Enclosures157
Table A-13	10-Drive Enclosure Weights162
Table A-14	14-Drive Enclosure Weights163
Table A-15	Site Wiring Voltages for Drive Enclosures (Single-Phase Line-to-Neutral)164
Table A-16	Drive Enclosure Altitude Requirements165
Table A-17	Environmental Requirements for Drive Enclosures165

About This Guide

This guide provides an overview of the SGI Total Performance 9400 and SGI Total Performance 9500. It covers routine operation and replacement procedures and provides troubleshooting and reference information for all customer-replaceable components.

The SGI TP9400 and SGI TP9500 are highly scalable RAID storage systems designed for continuous availability. Some of the features of these systems include hot-swappable components and redundant power and cooling systems.

This guide is intended for system operators and service technicians who have extensive knowledge of Fibre Channel network technology and computer system operation, maintenance, and repair.

Use this guide to learn about the following:

- The parts of your system: the rack, controller enclosures, and drive enclosures.
- Operating your system.
- Replacing failed components in the controller enclosures and drive enclosures.

Important Information



Danger: Never look into the end of a fiber optic cable to confirm that light is being emitted (or for any other reason). Most fiber optic laser wavelengths (1300 nm and 1550nm) are invisible to the eye and cause permanent eye damage. Shorter wavelength lasers (for example, 780 nm) are visible and can cause significant eye damage. Use only an optical power meter to verify light output.



Danger: Never look into the end of a fiber optic cable on a powered device with any type of magnifying device, such as a microscope, eye loupe, or magnifying glass. Such activity causes a permanent burn on the retina of the eye. Optical signal cannot be determined by looking into the fiber end.

Chapter Descriptions

This guide contains the following chapters:

- Chapter 1, “Introduction to the SGI TP9400 and SGI TP9500,” introduces, gives a functional overview, and describes the features of the system.
- Chapter 2, “Controller Enclosures,” gives a detailed overview of the controller enclosure and its components.
- Chapter 3, “Operation of Controller Enclosures,” describes the functions and basic operation of the controller enclosure, including power up and troubleshooting with the indicator lights.
- Chapter 4, “Replacement of Controller Enclosure Components,” gives detailed procedures for replacing failed controller enclosure components.
- Chapter 5, “Drive Enclosures,” gives a detailed overview of the drive enclosures and their components.
- Chapter 6, “Operation of Drive Enclosures,” describes the functions and basic operation of the drive enclosures, including power up and troubleshooting with the indicator lights.
- Chapter 7, “Replacement of Drive Enclosure Components,” gives detailed procedures for replacing failed drive enclosure components.
- Chapter 8, “Cabling,” describes cabling between components and between the components and the hosts.
- Appendix A, “Specifications and Requirements” describes component specifications and requirements for purposes of installation and maintenance.
- Appendix B, “SGI Field Engineering Compliance Statements” describes the regulatory and compliance information for the system.

Related Publications

This guide is part of a document set that fully supports the installation, operation, and service of the TP9400 and the TP9500. See the following documents for more information about your system.

If a document number ends in “X,” use the latest available version of that document.

- *SGI TP9400 RAID Installation and Upgrade Guide (108-0292-00X)*
This guide gives complete instructions on how to unpack, install, and configure the SGI TP9400 and its components. It also contains upgrade information.
- *SGI TP9500 RAID Installation and Upgrade Guide (108-0375-00X)*
This guide gives complete instructions on how to unpack, install, and configure the SGI TP9500 and its components. It also contains upgrade information.
- *SGI TP9400 and SGI TP9500 RAID Administration Guide (007-4306-00X)*
This guide gives complete instructions on how to install the TPSSM software for host and/or client operation.
- *SGITP9400 and SGI TP9500 Software Concepts Guide (007-4305-00X)*
This guide explains the terminology and features of the TPSSM storage management software.
- *SGI Storage Area Network Installation Instructions (108-0252-00X)*
This guide is included with the Fibre Channel switch and provides information on Storage Area Network installation and topologies.

You can obtain SGI documentation, release notes, or man pages in the following ways:

- See the SGI Technical Publications Library at <http://docs.sgi.com>. Various formats are available. This library contains the most recent and most comprehensive set of online books, release notes, man pages, and other information.
- If it is installed on your SGI system, you can use InfoSearch, an online tool that provides a more limited set of online books, release notes, and man pages. With an IRIX system, select **Help** from the Toolchest, and then select **InfoSearch**. Or you can type `infosearch` on a command line.
- You can also view release notes by typing either `grelnotes` or `relnotes` on a command line.
- You can also view man pages by typing `man <title>` on a command line.

SGI systems include a set of IRIX man pages, formatted in the standard UNIX “man page” style. These are found online on the internal system disk (or CD-ROM) and are displayed using the `man` command. For example, to display the man page for the `Add_disk` command, type the following on a command line:

```
man Add_disk
```

Important system configuration files and commands are documented on man pages. References in the documentation to these pages include the name of the command and the section number in which the command is found. For example, “`Add_disk(1)`” refers to the `Add_disk` command and indicates that it is found in section 1 of the IRIX reference.

For additional information about displaying reference pages using the `man` command, see `man(1)`.

In addition, the `apropos` command locates man pages based on keywords. For example, to display a list of man pages that describe disks, type the following on a command line:

```
apropos disk
```

For information about setting up and using `apropos`, see `apropos(1)` and `makewhatis(1M)`.

Conventions

The following conventions are used throughout this document:

Convention	Meaning
Command	This fixed-space font denotes literal items such as commands, files, routines, path names, signals, messages, and programming language structures.
<i>variable</i>	The italic typeface denotes variable entries and words or concepts being defined. Italic typeface also is used for book titles.
user input	This fixed-space font denotes literal items that the user enters in interactive sessions. Output is shown in nonbold, fixed-space font.
[]	Brackets enclose optional portions of a command or directive line.
...	Ellipses indicate that a preceding element can be repeated.

- `man page(x)` Man page section identifiers appear in parentheses after man page names.
- GUI element** This font denotes the names of graphical user interface (GUI) elements such as windows, screens, dialog boxes, menus, toolbars, icons, buttons, boxes, fields, and lists.

Product Support

SGI provides a comprehensive product support and maintenance program for its products:

- If you are in North America, contact the Technical Assistance Center at +1 800 800 4SGI or contact your authorized service provider.
- If you are outside North America, contact the SGI subsidiary or authorized distributor in your country.

Reader Comments

If you have comments about the technical accuracy, content, or organization of this document, contact SGI. Be sure to include the title and document number of the manual with your comments. (Online, the document number is located in the front matter of the manual. In printed manuals, the document number is located at the bottom of each page.)

You can contact SGI in any of the following ways:

- Send e-mail to the following address:
`techpubs@sgi.com`
- Use the Feedback option on the Technical Publications Library Web page:
`http://docs.sgi.com`
- Contact your customer service representative and ask that an incident be filed in the SGI incident tracking system.

- Send mail to the following address:
Technical Publications
SGI
1600 Amphitheatre Pkwy., M/S 535
Mountain View, California 94043-1351
- Send a fax to the attention of “Technical Publications” at +1 650 932 0801.

SGI values your comments and will respond to them promptly.

Introduction to the SGI TP9400 and SGI TP9500

This chapter gives a brief overview of the features of the system and its primary components in the following sections:

- “System Features” on page 1
- “Rack Features” on page 2
- “Controller Enclosure Features” on page 3
- “Drive Enclosure Features” on page 4

System Features

The SGI TP9400 and SGI TP9500 RAID storage systems have the following features:

- Outstanding performance, utilizing multi-channel end-to-end Fibre Channel technology.
- Continuous availability, with constant monitoring and optional redundancy of all active components.
- Dynamic scalability, making it easy to grow all subsystem resources without disruption.
- Superior connectivity allowing simultaneous connections to multiple servers directly or by way of storage area networks (SANs). Supports optical host connections.
- Vast storage capacity, maximizing storage density per square foot.
- Storage management facilities for installation, configuration, expansion, and monitoring.
- Controller enclosure(s) and drive enclosure(s) with redundant power supplies and hot-swappable components.
- Configurable to meet your performance requirements.
- Supports a large number of drives.

- RAID 0, 1, 3, 5 support for LUNs containing n+1 drives (n ≤ 29).
- Battery backup for cache data.

Note: JBOD is not supported.

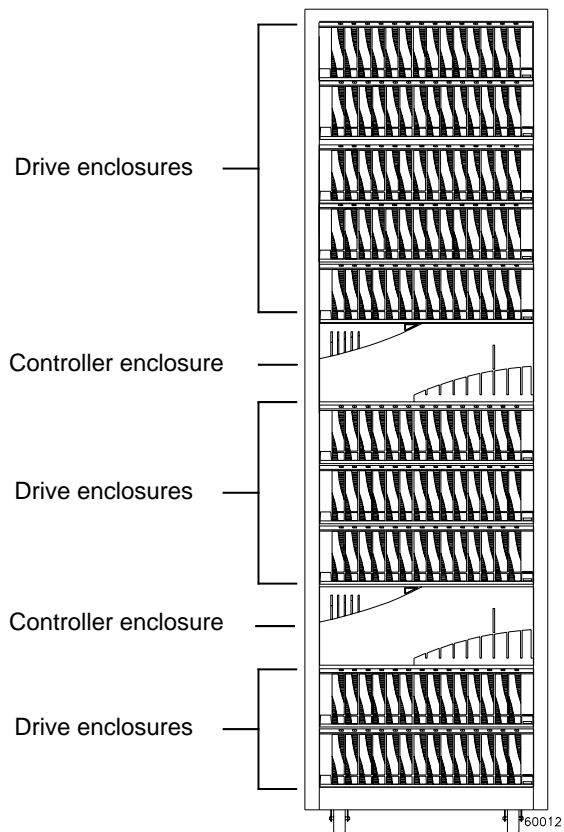


Figure 1-1 Rack with Controller Enclosures and Drive Enclosures

Rack Features

The rack has the following features:

- 72-in. high x 22-in. wide x 36-in. deep.
- 38 rack units (1 rack unit = 1.75 in.).
- Removable rear panel.
- Dual power distribution units (PDUs).
- Convenient access to power and data cables through openings in the top and bottom of the rack.

Controller Enclosure Features

The controller enclosure has the following features:

- Height equal to four rack units(1 rack unit = 1.75 in.)
- Dual Active RAID controller levels
- Supports RAID 0, 1, 1+ 0, 3, 5
- Supports small form-factor pluggable (SFP) host and drive connections.
- Up to 1-GB ECC-protected cache memory per controller.
- Battery backup for cache data.
- Redundant, hot-swappable power supplies.
- Redundant, hot-swappable cooling fans.
- One to four front-end minihubs per controller enclosure.
- One to four back-end minihubs per controller enclosure.
- Two host connections per front-end minihub (direct attachment only).
- Four host ports per RAID controller (via two front-end minihubs).
- Supports point-to-point, switch, and arbitrated loop topologies.
- Four Fibre Channel drive interfaces with two sets of redundant loops.
- Two Ethernet interfaces per controller enclosure for controller management.

- Audible alarm (controlled with an enable/disable switch).
- Fault and status LEDs.

For more information about the controller enclosure, see Chapter 2, “Controller Enclosures”.

Drive Enclosure Features

There are two drive enclosures available with the system: a 10-drive enclosure and a 14-drive enclosure. They share the following features:

- Fault and activity indicators
- Redundant hot-pluggable power supplies
- Redundant hot pluggable environmental service modules (ESMs)
- Redundant cooling fans
- SFP drive enclosure interfaces

For more information about the features of the drive enclosures, see Chapter 5, “Drive Enclosures”.

Controller Enclosures

The controller enclosure is a high-performance unit that provides dual redundant controller boards and Fibre Channel interfaces to both the host and drive channels. This chapter describes the controller enclosure and its components in the following sections:

- “Overview” on page 5
- “Controller Canister” on page 8
- “Battery Canister” on page 11
- “Controller Fan Canister” on page 12
- “Fan/Communications Canister” on page 15
- “Power Supply Canister” on page 18
- “Minihub Canister” on page 19
- “SFP Transceiver” on page 24

Overview

The controller enclosure, which is designed to provide maximum host- and drive-side redundancy, supports up to eight direct host connections. Figure 2-1 shows front and rear views of the controller enclosure.

Important: Several references are made in this chapter to the storage management software (TPSSM). For complete information on the operation and use of this software, see the document titled *Total Performance Storage System Manager (TPSSM)* (007-4305-00X).

The front of the controller enclosure contains the following components:

- **Front cover:** A removable cover with holes for viewing the status lights and slots for air circulation.

- **Battery canister:** One removable canister that contains batteries and battery charger circuitry.
- **Controller fan canister:** One removable canister that contains two cooling fans.
- **Controller canisters:** Two removable canisters, each of which contains one controller.

The rear of the controller enclosure contains the following components:

- **Host and drive interface minihubs:** Up to eight removable SFP minihubs for connecting fiber optic host and drive interface cables to the controller enclosure.
- **Fan/communications canister:** One removable canister that contains two cooling fans and Ethernet connections.
- **Power supply canisters:** Two removable canisters that contain the power supplies.

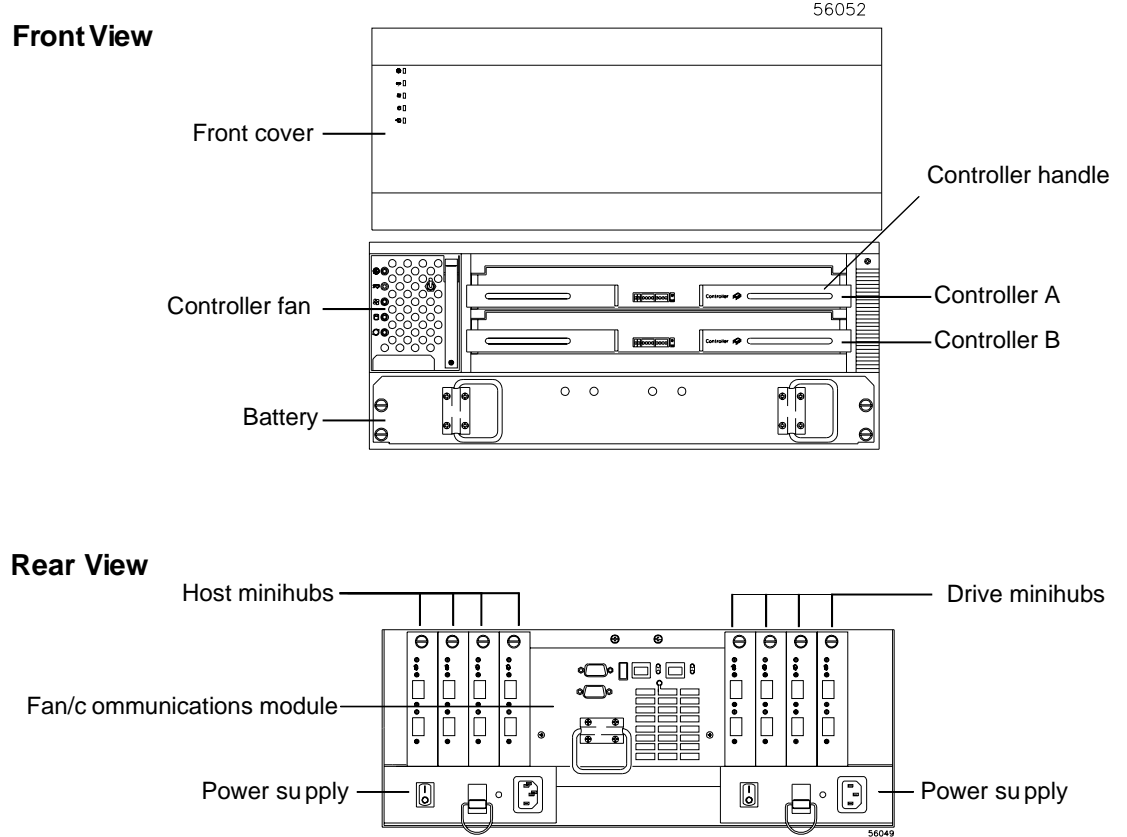
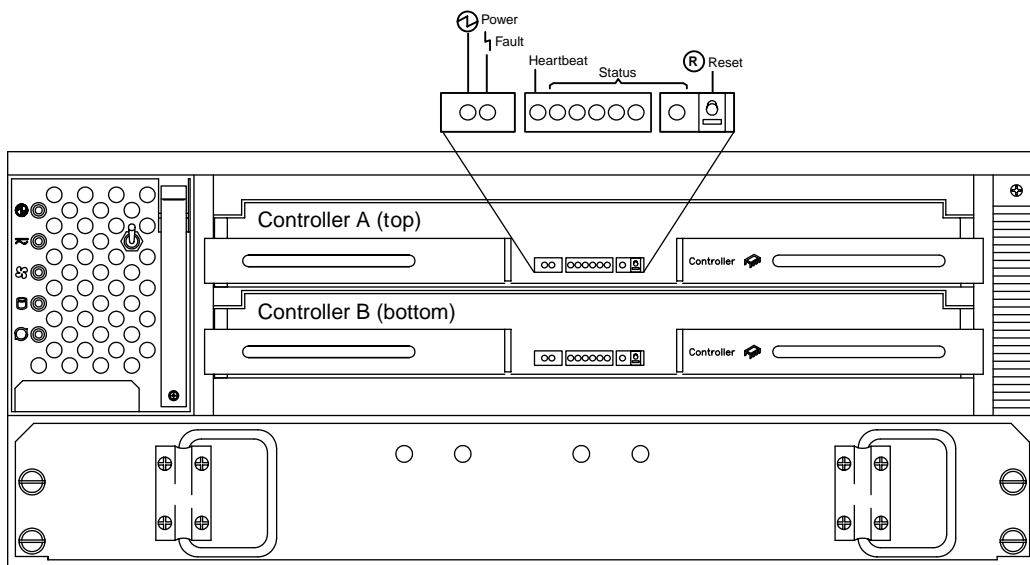


Figure 2-1 Front and Rear Views of the Controller Enclosure

Note: The controller handles in SGI TP9400 systems are black with silver arrows. The controller handles in SGI TP9500 systems are gold-colored. If the controller handles in your system are black with no arrows, you have an earlier version of the SGI TP9400.

Controller Canister

Each controller comes in a removable, portable unit, called a controller canister (see Figure 2-2). The controller canister slides into one of two controller slots on the front of the controller enclosure and attach to hosts via Fibre Channel connections. Two handles lock the controller in place. The controller slots identify the physical location of the controller in the chassis: controller slot A (top) or controller slot B (bottom). Each controller canister has nine LED indicators: one power LED, one fault LED, one heartbeat LED, and six status indicator LEDs. For more information about the LED indicators, refer to “Checking the Controller Enclosure Indicator Lights” on page 33.



54067-c

Figure 2-2 Redundant Controllers and Indicator Lights

The controller enclosure supports one or two controller canisters, which attach to hosts via Fibre Channel connections. When using a single-controller array, the controller must be installed in slot A.

You can hot-swap a failed controller canister, replacing it while the controller enclosure is in operation, as long as the failed controller is one of a redundant pair (two controllers attached to the same host) and has a “passive” or “offline” status in the storage management software (TPSSM).

If cache mirroring is enabled in redundant controllers and one controller fails, the second controller will assume processing functions without data loss. However, some or all data may be lost if cache mirroring is disabled and a failure occurs before data can be written from cache memory to disk.

If you replace the controller canister and continue to experience problems, the controller enclosure may have defective components or connections. Check the storage management software (TPSSM) for indications of other component failures.

If a controller canister fails, the controller fault indicator on the affected controller canister will illuminate. For more information about indicators, see “Checking the Controller Enclosure Indicator Lights” on page 33.

When you replace a failed controller, and if certain NVSRAM bits are set, the firmware on the new controller is automatically synchronized with the firmware on the second controller (the one currently managing the array) controller. This ensures that the controller firmware level is the same on both controllers after a replacement. You do not have to download new controller firmware after replacing the controller. See the storage management software (TPSSM) for information on these bit settings on your system.

The controller fault indicator blinks while the firmware is being synchronized. The status indicators on the controller blink in a moving pattern to indicate a serial download. Do not remove the controller until the automatic synchronize process completes.



Warning: Avoid damaging the controller. If the controller is removed or if power is interrupted before synchronization is complete, the controller being updated may fail, and you will need to replace it.

The TP9400 and TP9500 uses two types of controllers: 4884 controllers and 5884 controllers. The 4884 controllers are used in the TP9400 storage system; the 5884 controllers are used in the TP9500 storage system. Table 2-1 shows the major differences between these controllers.

Table 2-1 Comparison of 4884 and 5884 Controllers

Specification	4884 Controller	5884 Controller
Processor Speed	566 MHz	850 MHz
Processor Memory Capacity	128-MB SDRAM	128-MB SDRAM
Flash Memory Capacity	8 MB	16 MB
NVSRAM Capacity	32 KB	128 KB
Processor Bus Speed	32 bit, 33 MHz	32 bit, 66 MHz
Buffer Memory Capacity	1 GB SDRAM	1 GB RDRAM
Channel Interface	2-Gb single	2-Gb dual
Primary PCI Bus Speed	32 bit, 33 MHz	64bit, 66 MHz
Buffer Bus Capacity	0.5 GB	1.6 GB

These controller types cannot be mixed in a controller enclosure. You can quickly identify the controllers by examining their handles. 4884 controllers have black handles with silver arrows on them; 5884 controllers have gold-tone handles.

Battery Canister

The battery canister houses rechargeable batteries and a battery charger board. The battery canister plugs into the front of the controller enclosure (see Figure 2-3). The battery provides backup power only to the controllers' cache memory. All data stored in memory will be preserved as long as the batteries can sustain power to the cache memory. However, the battery will not provide power to the rest of the system during a power outage. Controllers can store data in cache for up to seven days. The system will not be able to write I/O to the drive enclosures without a backup power source, such as an uninterruptible power supply (UPS).

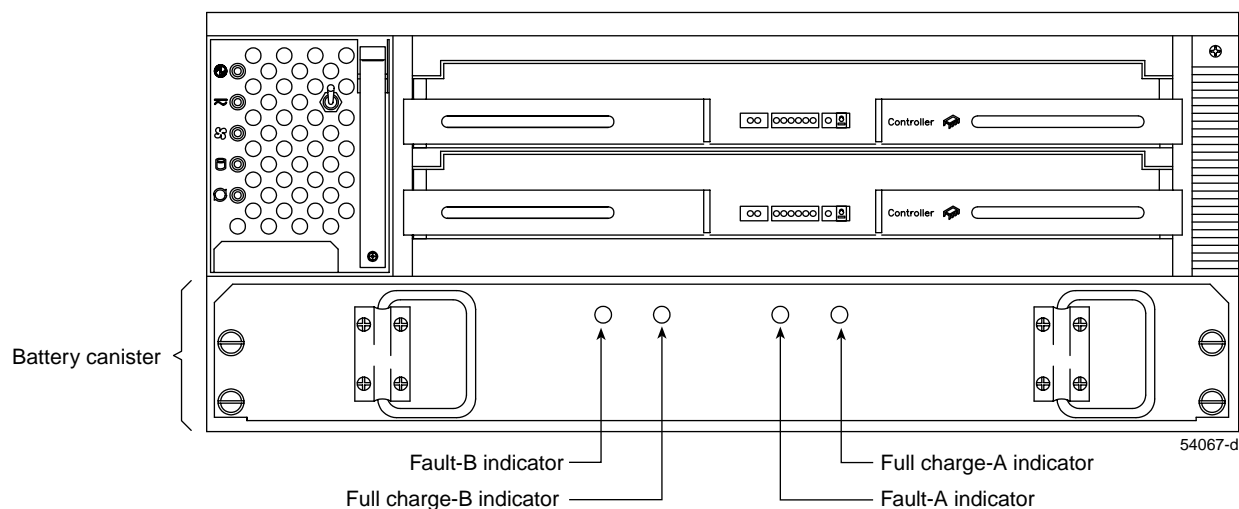


Figure 2-3 Battery Canister

The batteries inside the battery canister have a two-year life expectancy. Replace the battery canister every two years or whenever it fails to hold a charge.

Note: Using the controller enclosure in a hot environment (above 35 °C or 95 °F) lowers the life expectancy of the battery canister. Under these conditions, you may need to replace the battery more often.

The service label on the battery canister provides a blank line for recording the last date on which the battery was serviced (see Figure 3-8 on page 41). Check this label to

determine when to replace the canister. See the storage management software (TPSSM) for information about using the software to track battery age.

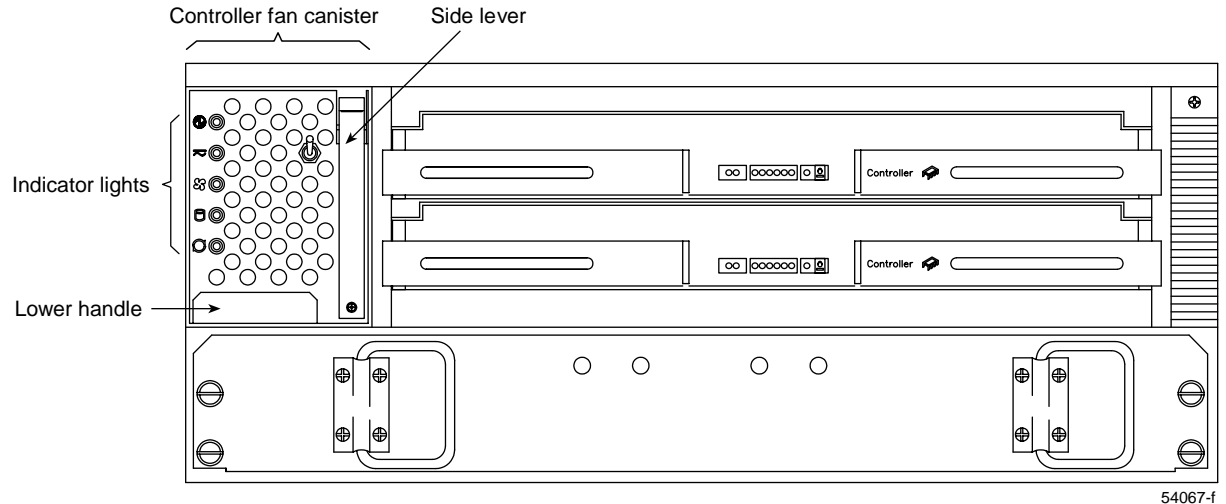
You can hot-swap the battery canister (replacing it while the controller enclosure is in operation). However, you must use the TPSSM storage management software to ensure that there is no data in cache memory and that all caching is stopped before you remove a battery canister. Data in cache memory is unprotected if a power outage occurs while the battery canister is out of operation.

If a battery fails, the fault indicator on the battery canister will illuminate. For more information about indicators, see “Checking the Controller Enclosure Indicator Lights” on page 33.

If you replace the battery canister and continue to experience battery problems (such as a loss of battery power to the controllers or batteries not charging properly), the controller enclosure may have defective components or connections. Check the storage management software (TPSSM) for indications of other component failures.

Controller Fan Canister

The controller fan canister is a single, removable unit containing two cooling fans and temperature monitoring logic. The controller fan plugs directly into a slot on the front of the controller enclosure to the left of the controllers (see Figure 2-4). The fan has a lever and a handle for easy removal. Five indicators provide overall system status information (see Figure 4-8 on page 57). The dual fans in the fan canister provide a redundant cooling system to both controller canisters. If one fan fails, the other will continue to operate, providing sufficient air circulation to prevent the controllers from overheating until you can replace the entire controller fan canister.



54067-f

Figure 2-4 Controller Fan Canister

To prevent cooling problems, the controller enclosure must have proper air circulation throughout the chassis. Cooling problems include any malfunctions or obstructions that impede air flow and cause one or more components in the controller enclosure to overheat. Also, ensure that the ambient air temperature around the controller enclosure is within the environmental requirements. To boost air circulation, the controller enclosure has air vents along its top and sides (see Figure 2-5). These vents serve as air intake and exhaust passages. Always keep vents clean and free of obstructions.

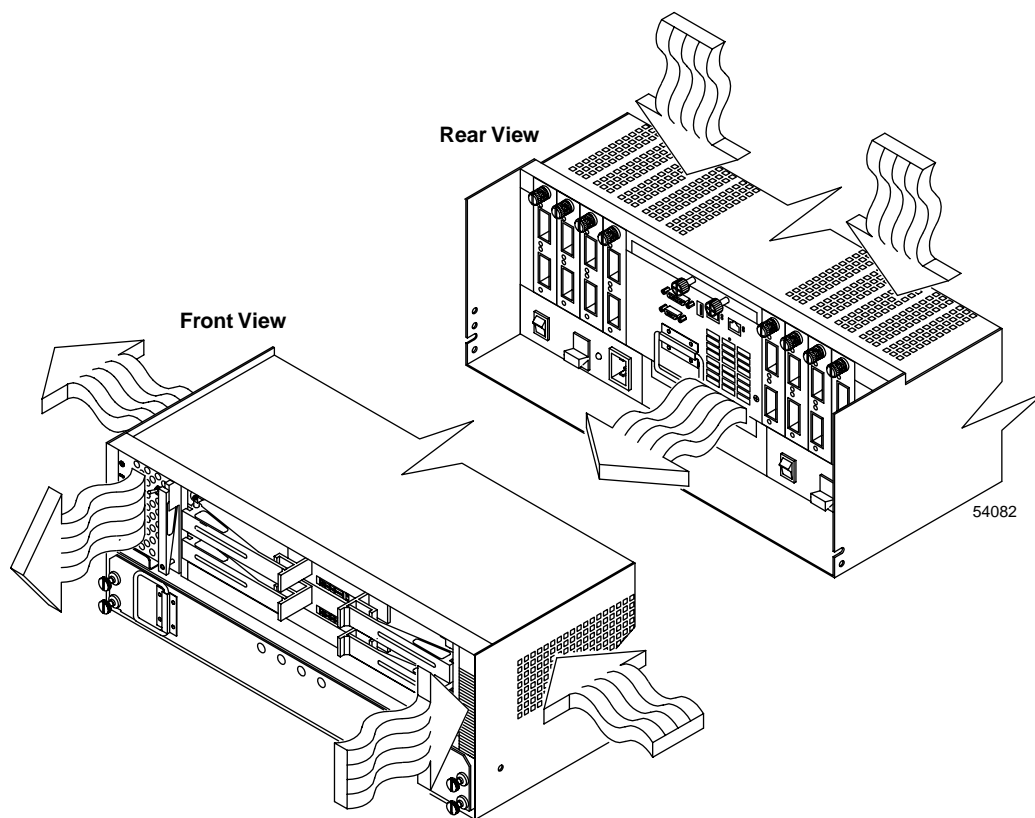


Figure 2-5 Air Flow in the Controller Enclosure

Both fans failing simultaneously in the controller fan canister is unlikely. Such a failure would cause either one or both controllers to overheat. Under these circumstances, the amber controller indicator on the front may turn on. Shut down the controller enclosure immediately and let the unit cool to room temperature and replace the controller fan.

You can hot-swap the controller fan canister, replacing it while the controller enclosure is in operation, as long as you complete the exchange within 15 minutes. The time limit only applies to the total time that the fan canister is out of the chassis. The time begins

when you remove the failed canister and ends when you re-seat the new one. This does not include the time it takes you to perform the entire procedure (for example, checking indicators).

If a fan fails, the fault indicator on the fan canister will glow. For more information about indicators, see “Checking the Controller Enclosure Indicator Lights” on page 33.

If you replace the fan canister and continue to experience problems, the controller enclosure may have defective components or connections. Check the storage management software (TPSSM) for indications of other component failures.

Fan/Communications Canister

The fan/communications canister is a single, removable unit containing two cooling fans. This canister plugs into a slot at the center at the rear of the controller enclosure, just above the power supplies (see Figure 2-6). The fan/communications canister has three captive screws and a pull ring for securing and removing the canister. The canister contains dual fans that provide a redundant cooling system to both power supply canisters. If one fan within the canister fails, the other will continue to operate. A single fan will provide sufficient air circulation to prevent the power supplies from overheating until you can replace the entire fan/communications canister.

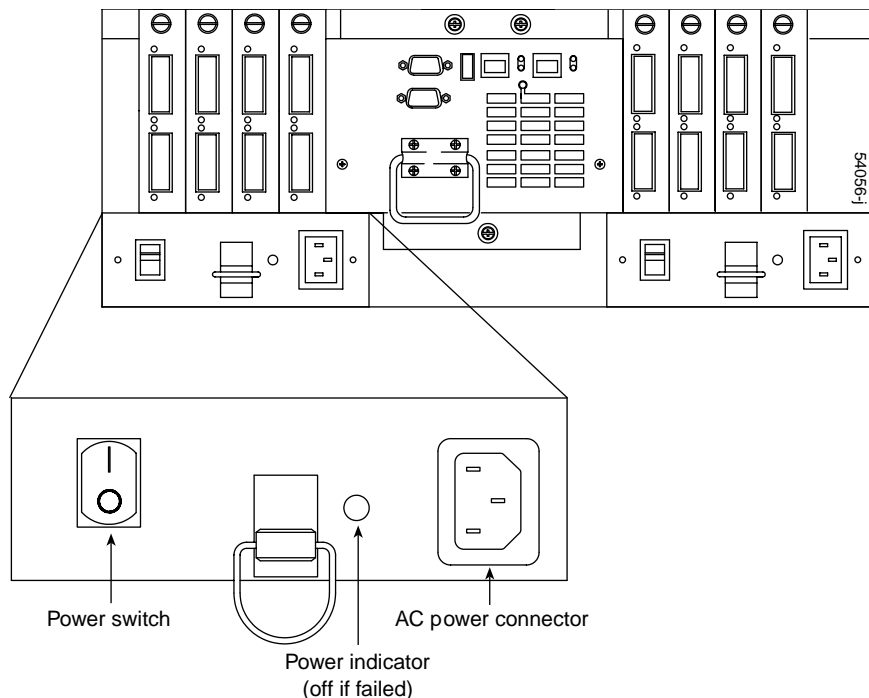


Figure 2-6 Fan/Communications Canister and Fault Indicator

You can hot-swap the fan/communications canister, replacing it while the controller enclosure is in operation, as long as you complete the exchange within 15 minutes from the time you remove the failed unit until you seat the new one.

Note: If both fans fail in the fan/communications canister, the system will overheat.

It is unlikely that both fans in the fan/communications canister would fail simultaneously. Such a failure would cause one or both power supplies to overheat. In these circumstances, the amber power supply fault indicator on the front cover turns on and the overheated power supply automatically shuts down (its green power supply indicator turns off). Once the ambient air temperature cools below 70 °C (158 °F), the power supply automatically turns on. Replace the failed fan/communications canister, then check the indicators (power supply fault indicator on the front and power supply indicator at the rear). If the power supply fault indicator remains on, replace the power

supply. For more information about indicators, see “Checking the Controller Enclosure Indicator Lights” on page 33.

If you replace the fan/communications canister and continue to experience problems, the controller enclosure may have defective components or connections. Check the storage management software (TPSSM) for indications of other component failures.

Diagnostic Interface Connectors

The fan/communications canister has two Ethernet (RJ-45) connectors, one for controller A and one for controller B (see Figure 2-7). The Ethernet connectors are used to manage the storage arrays directly from a remote management station. The canister also has two serial (RS-232) connectors, one for controller A and one for controller B. These connectors are used to diagnose problems, using storage management software (TPSSM) or other diagnostic tools. (The RS-232 connector is primarily intended for use by SGI field personnel.)

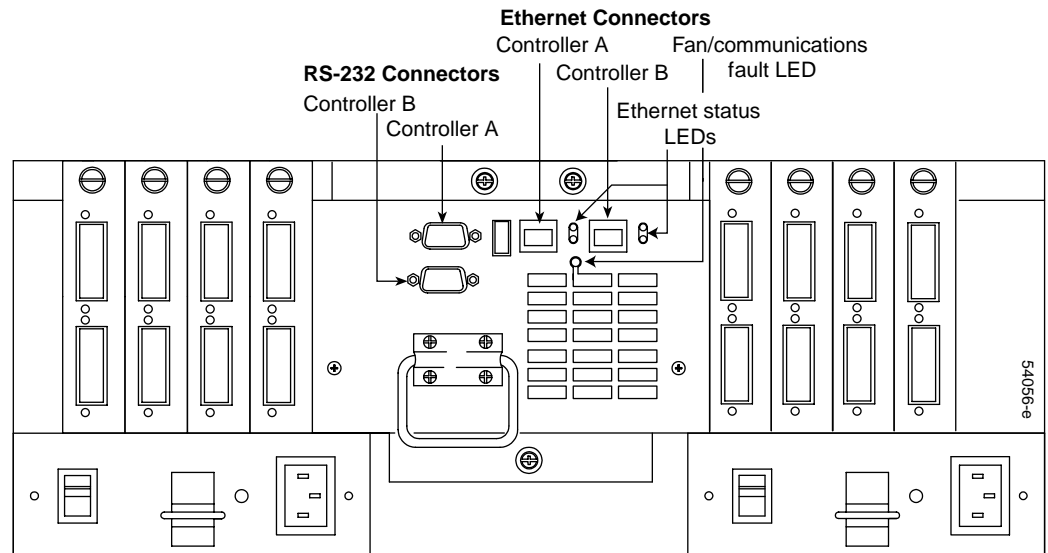


Figure 2-7 Diagnostic Interface Connectors on the Controller Enclosure (Rear)

Power Supply Canister

The controller enclosure's power system consists of two power supply canisters. The canisters slide into either of the two slots at the rear of the controller enclosure (Figure 2-8). The power supply canisters provide power to the internal components by converting incoming AC voltage to DC voltage. The power supplies are interchangeable and redundant. Each power supply uses one power cord. You can plug both power cords into a common power source or plug each cord into a separate circuit for power redundancy. One power supply can maintain electrical power to the controller enclosure if the other power supply is turned off or malfunctions.

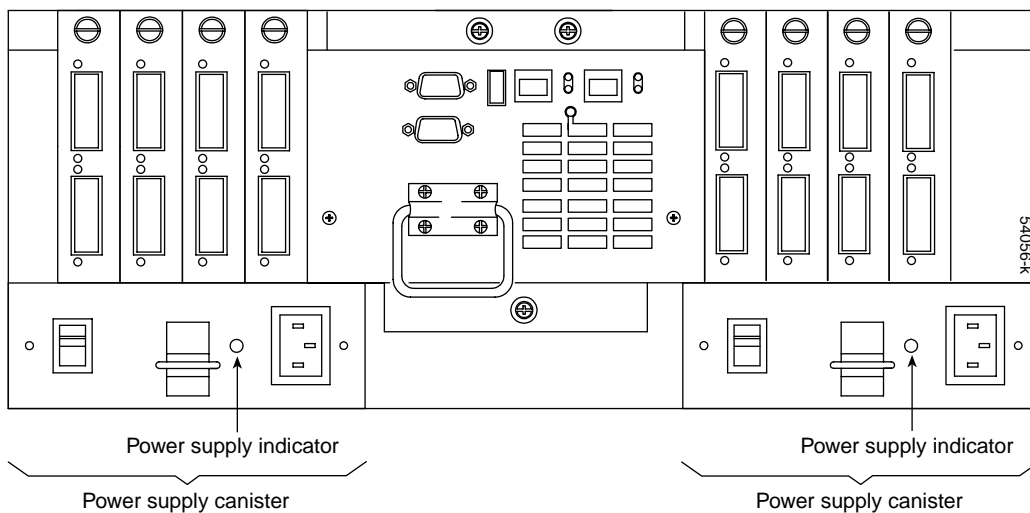


Figure 2-8 Power Supplies and Indicators

Each of the power supply canisters has a built-in sensor that detects the following conditions:

- Over-voltage
- Over-current
- Overheated power supply

If any of these conditions occurs, one or both power supplies will shut down. All power remains off until one of the following occurs:

- You cycle the power switches (turn the power switches off and then turn them back on). See “Troubleshooting an Overtemp Condition and Power Supply Shutdown” on page 28 for more information on recovering from an overtemp condition.
- The power supplies automatically resume operation when the ambient air temperature cools to below 70 °C (158 °F). When the power supplies automatically resume operation, the controller also will resume operation.

After one of these occurs, then an automatic restart resets the controllers, attempts to spin up the drives (which has no effect on the drives if they are already running), and returns the controller enclosure to normal operation without operator intervention.

Because the two power supplies provide redundancy, you can hot-swap a failed power supply, replacing it while the controller enclosure is in operation.

Note: An abrupt power loss to the controller enclosure can cause data corruption, especially if the power loss occurred when data was being downloaded to cache memory or written to disk. If a sudden power loss causes data corruption, you may need to use the storage management software (TPSSM) to recover the data.

If a power supply fails, the green power supply indicator on the power supply will be off and the amber power supply fault indicator on the controller fan canister on the front of the controller enclosure will glow. If both power supplies fail, the fault indicator cannot come on. For more information about indicators, see “Checking the Controller Enclosure Indicator Lights” on page 33.

If you replace the power supply canister and continue to experience problems, the controller enclosure may have defective components or connections. Check the storage management software (TPSSM) for indications of other component failures.

Minihub Canister

A minihub canister is an interface card located at the rear of the controller enclosure (see Figure 2-9). It is a single, removable unit that provides the Fibre Channel interface between a controller enclosure and hosts and drives. The rear of the controller enclosure can accommodate up to eight interface cards that function as minihubs: up to four host canisters and up to four drive minihub canisters. Each minihub has two Fibre Channel connections. These connections each require a small adapter called an SFP (small

form-factor pluggable) transceivers. The SFP transceiver interfaces the fiber optic cable to the minihub.

The minihubs are interchangeable and can be installed on either the host-side or the drive-side.

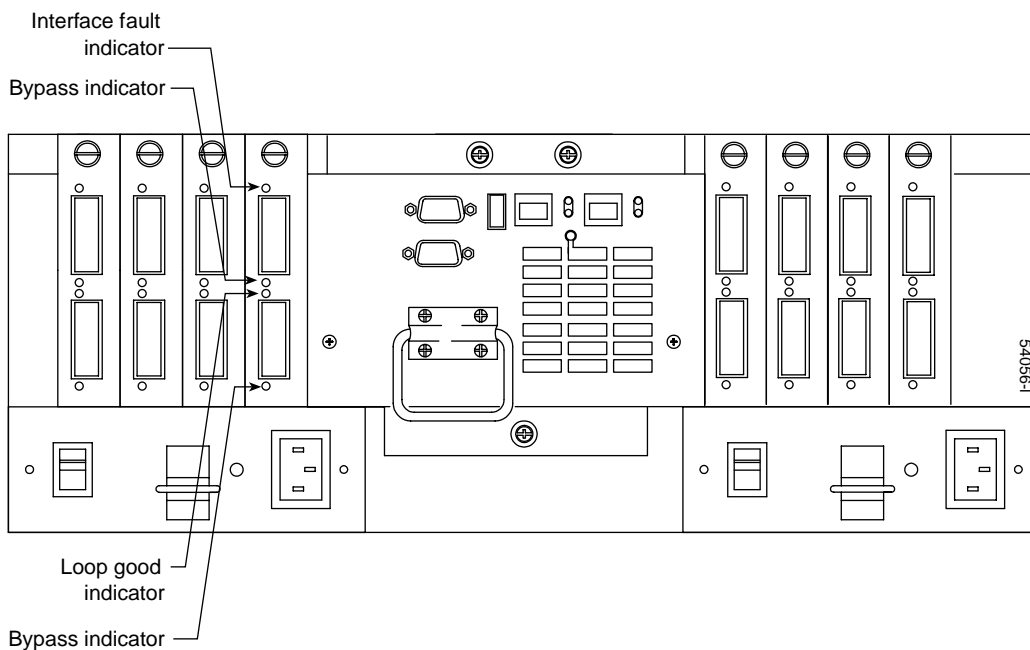


Figure 2-9 Minihub Canister and Indicator Lights

You can hot-swap a failed minihub, replacing it while the controller enclosure is in operation.

Four indicators provide status information. If a minihub fails, the interface fault indicator on the minihub canister will glow and the loop good indicator will be off. For more information about indicators, see “Checking the Controller Enclosure Indicator Lights” on page 33.

Note: Replacing an SFP can induce failover. Check the system management software for messages about movement of device paths.

If you replace the minihub canister and continue to experience problems, the controller enclosure may have defective components or connections. Check the storage management software (TPSSM) for indications of other component failures.

Host Interface Connectors

There are up to four host minihubs, two per controller (see Figure 2-10). Minihubs 1 and 3 correspond to the top controller (controller A) and minihubs 2 and 4 correspond to the bottom controller (controller B). Each minihub provides host loop capability and self-diagnostic features. To ensure redundancy, you must connect each host to each controller board.

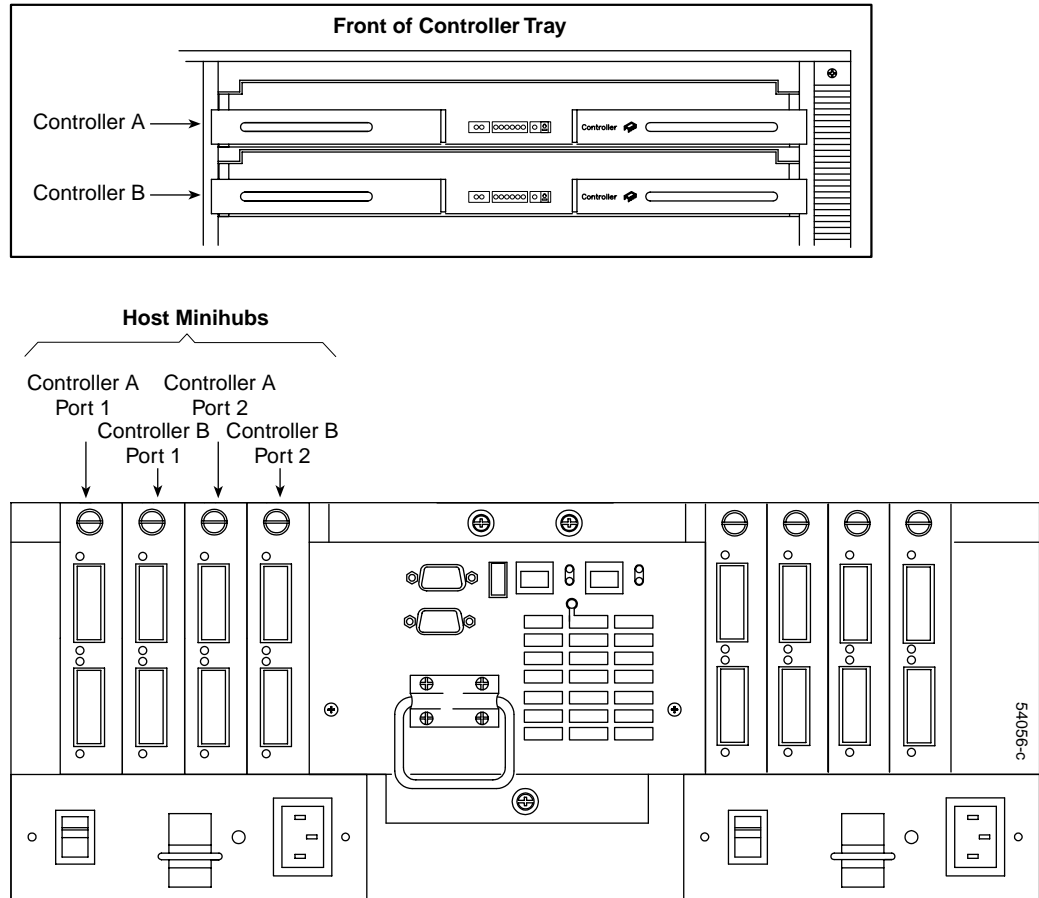


Figure 2-10 Host Interface Connectors on the Controller Enclosure

Drive Interface Connectors

Each drive minihub canister represents a single drive channel (see Figure 2-11). The drive channels are set up in pairs to support two data paths to each drive (redundant drive loop configurations). Each pair supports up to 11 drive enclosures.

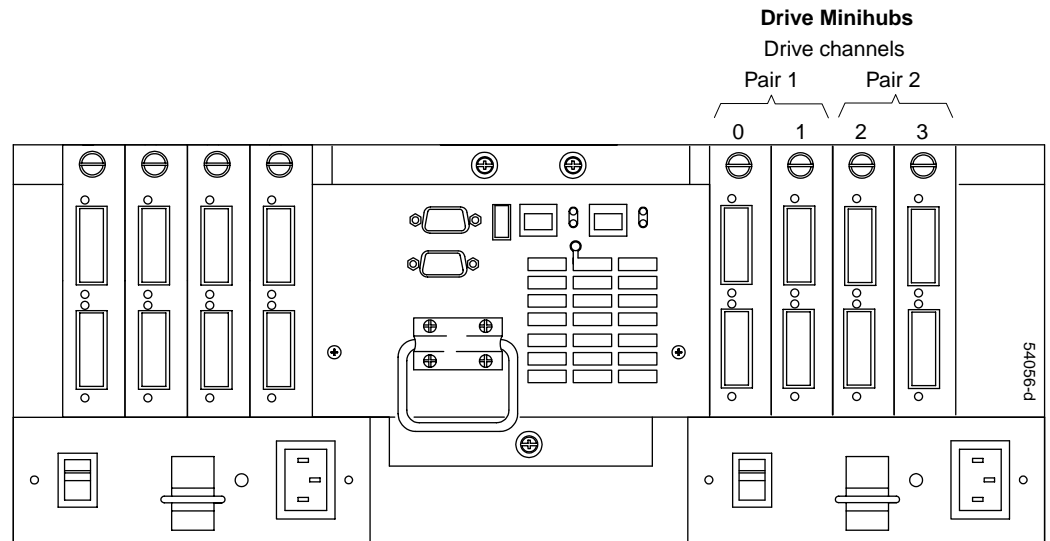


Figure 2-11 Drive Minihub Connectors on the Controller Enclosure (Rear)

SFP Transceiver

An SFP (small form-factor pluggable) transceiver is a module that fits into the SFP minihub located at the rear of the controller enclosure (see Figure 2-12). Each SFP minihub has two SFP transceivers. You connect the host-interface or drive-interface cables to the respective SFP transceiver, which passes the signal to the minihub.

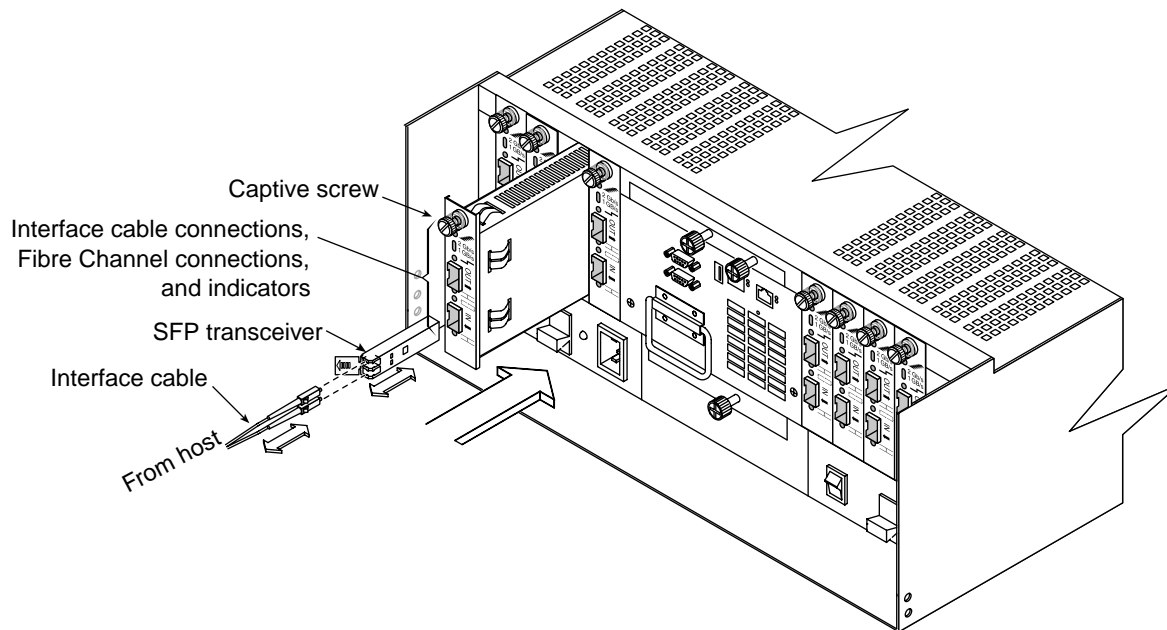


Figure 2-12 SFP Transceiver

You can hot-swap a failed SFP transceiver, replacing it while the controller enclosure is in operation. If you replace the SFP transceiver and continue to experience problems, the controller enclosure may have defective components or connections. Check the storage management software (TPSSM) for indications of other component failures.

Operation of Controller Enclosures

This chapter describes the operation of the controller enclosures in the following sections:

- “Accessing the Controller” on page 25
- “Turning the Power On” on page 26
- “Troubleshooting an Overtemp Condition and Power Supply Shutdown” on page 28
- “Turning the Power Off” on page 31
- “Monitoring Status with Software” on page 32
- “Checking the Controller Enclosure Indicator Lights” on page 33
- “Checking the Battery Service Date” on page 40
- “Moving the Controller Enclosure” on page 41

Accessing the Controller

To access the controller enclosure components, cables, indicator lights, and switches, you must remove the front cover (see Figure 3-1).

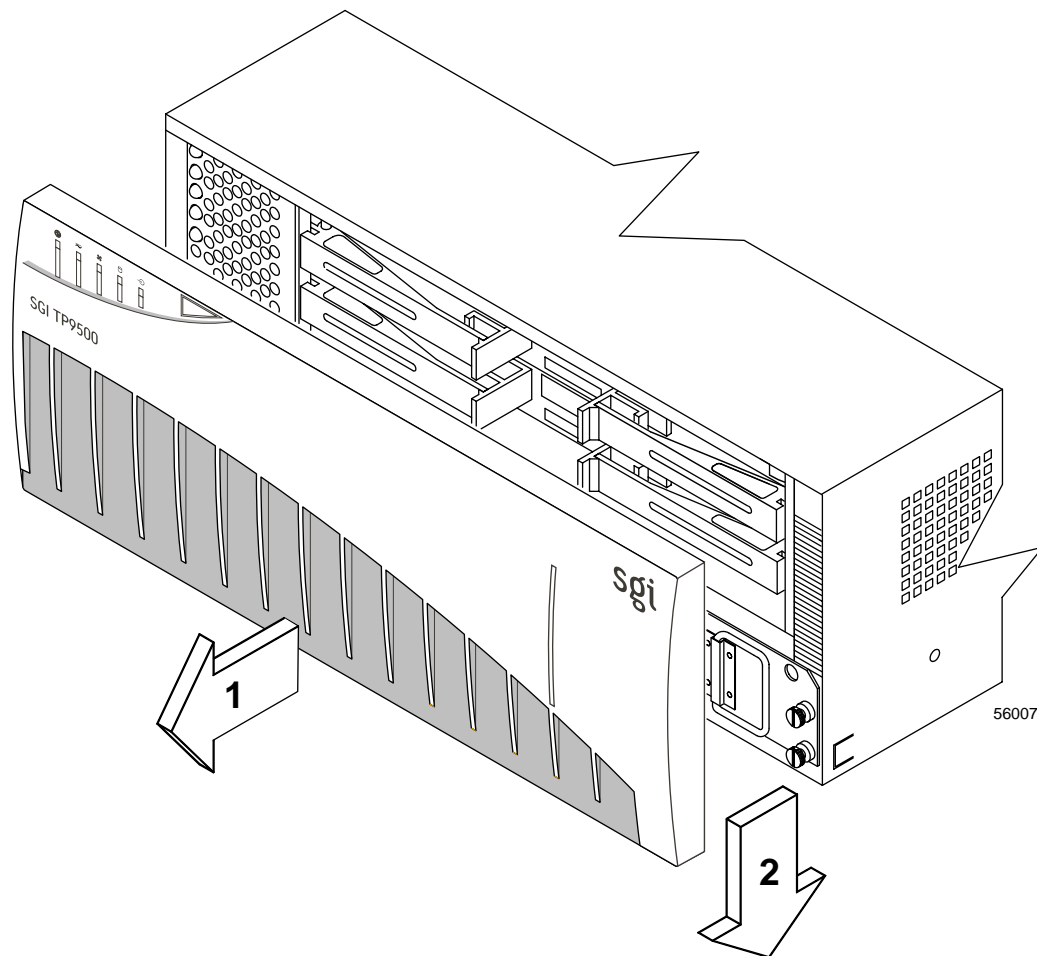


Figure 3-1 Removing the Front Cover of the Controller Enclosure

Turning the Power On

Follow these instructions to turn on the controller enclosure power. If you are restoring power to the controller enclosure after an emergency shutdown or power outage, proceed to “Troubleshooting an Overtemp Condition and Power Supply Shutdown” on page 28.

Note: To speed drive spin-up, start the drive enclosures before or at the same time as the controller enclosure. If you plan to use the main breaker to turn on all enclosures at the same time, make sure the switches on each drive enclosure and each controller enclosure are on before turning on the main breaker. For instructions on powering-up the drive enclosures, refer to the drive enclosure documentation.



Caution: Bending or damaging Fibre Channel cables can result in degraded performance or data loss. Fibre Channel cables are fragile and can break easily. Handle the cables carefully when removing the rear cover of a deskside unit. Do not pinch them with tie wraps, step on them, or bend them at sharp angles.

1. Remove the rear access panel on the rack.



Danger: Electrical shock can occur. Never turn on the power to any equipment if there is evidence of fire, water, or structural damage. If there is evidence of damage, call the factory or appropriate service organization for assistance. Depending on the current service agreements, you may or may not need to return the unit for repair/replacement.

2. Turn on both power switches on the rear of the controller enclosure (see Figure 3-2). You must turn on both switches to take advantage of the redundant power supplies. Then, go to “Checking the Controller Enclosure Indicator Lights” on page 33.

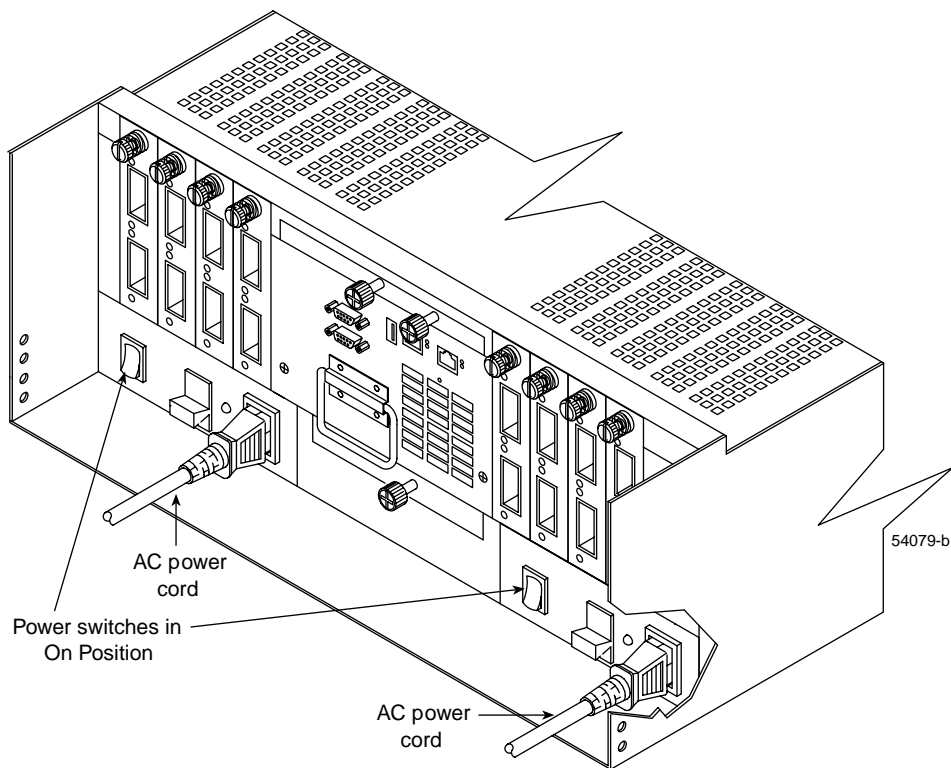


Figure 3-2 Turning the Power On

Wait until the controller enclosure completes its power on activity before checking for faults. It may take up to 30 minutes for the battery canister to complete its self test and up to twelve hours to fully charge. While the battery is charging, both the Full charge-A and the Full charge-B indicators will blink. When the battery is fully charged, these two indicators will glow steady green.

Troubleshooting an Overtemp Condition and Power Supply Shutdown

If the fan/communications canister fails or is unable to maintain an internal temperature below 70 °C (158 °F), one or both of the power supplies in the controller enclosure may shut down (see Figure 3-3). If both power supplies shut down, the controller enclosure is inoperable.

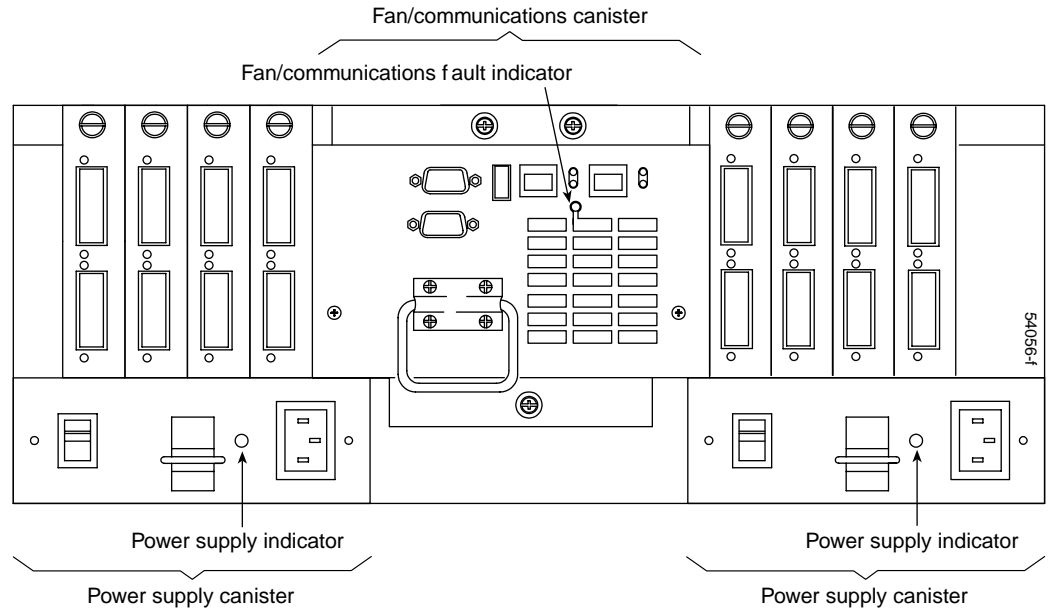


Figure 3-3 Fan/Communications and Power Supply Indicators (Rear)

The storage management software (TPSSM) will warn you if the temperature of the controller enclosure is rising, before it has risen sufficiently to shut down the power supplies. The warning comes when the enclosure temperature exceeds 45 °C (113 °F). The enclosure shuts down if the temperature rises to 70 °C (158 °F).

The controller fan fault indicator (see Figure 3-4) comes on if the temperature reaches 45 °C (113 °F). If both power supplies shut down, the fault indicator cannot illuminate.

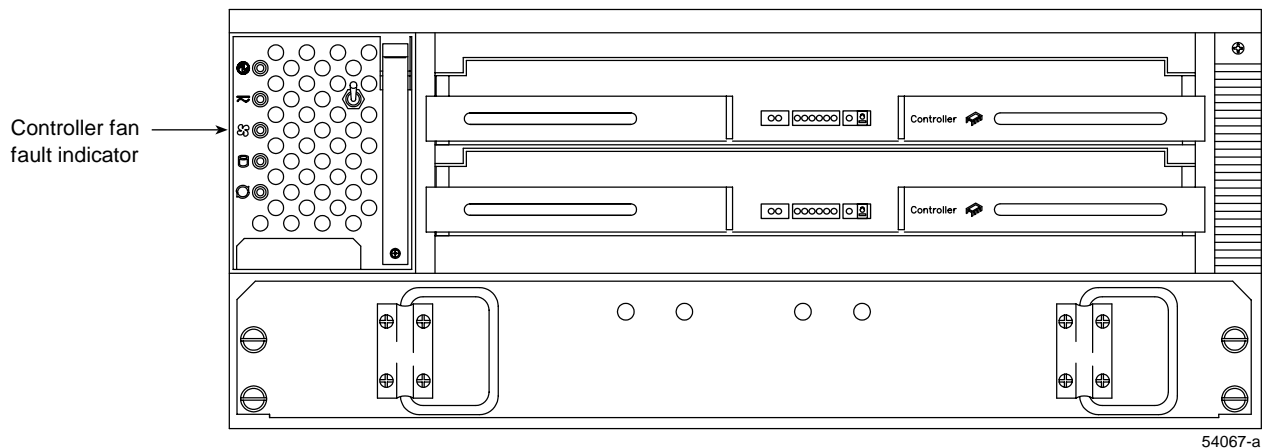


Figure 3-4 Controller Fan Fault Indicator (Front)

Turning the Power On after an Overtemp Shutdown

To regain normal system operation after a power supply shutdown, follow these steps:

1. If your controller enclosure shuts down unexpectedly, use the storage management software (TPSSM) to determine if the controller enclosure has overheated. If an overtemp shutdown is indicated, proceed to the next step.
2. Remove the rear access panel on the rack.
3. Turn off the power switches and do whatever is necessary to cool the controller enclosure (replace the fans, use external fans to cool the room, and so on).



Warning: Electrical shock can occur. Never turn on the power to any equipment if there is evidence of fire, water, or structural damage. If there is evidence of damage, call the factory or appropriate service organization for assistance. Depending on the current service agreements, you may or may not need to return the unit for repair/replacement.

4. Once the air temperature is below the upper operating temperature of 45 °C (113 °F), turn on both power switches on the rear of the controller enclosure (see Figure 3-2). You must turn on both switches to take advantage of the redundant power supplies. Then proceed to “Checking the Controller Enclosure Indicator Lights” on page 33.

Turning the Power On after an Emergency Shutdown

To regain normal system operation after a power failure or emergency shutdown, follow these steps:

1. After the emergency situation is over or power is restored to the building, remove the rear access panel on the rack and check all components and cables for damage.



Danger: Electrical shock can occur. Never turn on the power to any equipment if there is evidence of fire, water, or structural damage. If there is evidence of damage, call the factory or appropriate service organization for assistance. Depending on the current service agreements, you may or may not need to return the unit for repair/replacement.

Note: To speed drive spin-up, it is recommended that you start the drive enclosures before or at the same time as the controller enclosure. If you plan to use the main breaker to turn on all enclosures at the same time, make sure that the switches on each drive enclosure and each controller enclosure are on before turning on the main breaker. For instructions on powering on the drive enclosures, see the drive enclosure documentation.

2. Turn on the power (see Figure 3-2 on page 28).
 - a. If only the rack power is off, check the circuit breaker in the rack.
 - b. Turn on the power switches on all drive enclosures attached to the controller enclosure.
 - c. Turn on both power switches on the rear of the controller enclosure (see Figure 3-2). You must turn on both switches to take advantage of the redundant power supplies. Then, proceed to “Checking the Controller Enclosure Indicator Lights” on page 33.

Turning the Power Off

Follow these instructions to turn off the controller enclosure power. The controller enclosure is designed to run continuously, 24 hours a day. Once you turn on the controller enclosure, it should remain on except during certain service procedures.



Caution: Avoid possible data corruption. Except in an emergency, never turn off the power if any controller enclosure fault indicators are on. Always correct the fault first by using the proper troubleshooting or servicing procedure. For guidance, see the storage management software (TPSSM) or see “Checking the Controller Enclosure Indicator Lights” on page 33.

1. Remove the rear access panel on the rack.
 2. Prepare the controller enclosure for shutdown, as follows:
 - a. Stop all I/O activity to the controller enclosure and attached drive enclosures. Logically disconnect the controller and drive enclosures from the hosts. Ensure that the fast write cache indicator on the front cover of each controller enclosure and all applicable active indicators on the front cover of each drive enclosure are off (not blinking).
-

Note: If a parity check is in progress, it may take hours or days for the drive indicators to stop blinking. Check the system management software to see if a parity check is in progress.

- b. Ensure that all amber fault indicators on the controller enclosure are off. If any fault indicators are on, correct the problem before turning off the power (see “Checking the Controller Enclosure Indicator Lights” on page 33).
3. Turn off the power switches on the rear of the controller enclosure (see Figure 3-2).
4. Turn off the main circuit breakers in the rack.

Monitoring Status with Software

Use the storage management software (TPSSM) to monitor controller enclosure status. You should run the software constantly and check it frequently.

The storage management software (TPSSM) provides the best way to diagnose and repair controller enclosure failures. This software can help you do the following:

- Determine the nature of the failure.
- Locate the failed component.
- Provide recovery procedures to repair the failure.

Although the controller enclosure has fault indicators, these lights do not necessarily indicate which component has failed or needs to be replaced, or which type of recovery procedure you must perform. In some cases (such as loss of redundancy in various controller enclosure components), the fault light does not even come on. Only the storage management software (TPSSM) can detect the failure.

In addition, recovering from a controller enclosure failure may require that you perform procedures other than replacing the component. The storage management software (TPSSM) will explain these procedures.



Caution: If the software recovery procedures are not followed, data loss can result.

Note: For more information on the storage management software (TPSSM), see the *SGI TP9400 and SGI TP9500 RAID Administration Guide* (007-4306-00x), the *SGI TP9400 and SGI TP9500 Software Concepts Guide* (007-4305-00x), and the *SGI Storage Area Network Installation Instructions* (108-0252-00x).

Checking the Controller Enclosure Indicator Lights

It is important that you check all the indicator lights on the front and rear of the controller enclosure when you turn on the power. After you turn on the power, the indicators may blink intermittently. Wait until the controller enclosure completes its power up before checking for faults. Normally, it may take up to 30 minutes for the battery canister to complete its self test and up to 12 hours to fully charge, particularly after an unexpected power loss of more than a few minutes. While the battery is charging, both the Full Charge-A and the Full Charge-B indicators will blink. When the battery is fully charged, these two indicators will glow steadily (Figure 3-6).

To check the indicator lights, follow these steps:

1. To view all of the indicators, remove the front cover of the controller enclosure (see Figure 3-1 on page 26) and remove the rear access panel on the rack.

Note: The controller enclosure indicators display the status of the controller enclosure and its components. Green indicator lights mean normal operating status; amber indicators mean a possible failure. If you see an amber indicator, use the storage management software (TPSSM) to diagnose and repair the problem.

2. Check the indicators on the front of the controller enclosure (see “Front Indicator Lights” on page 34).
3. Check the indicators on the rear of the controller enclosure (see “Rear Indicator Lights” on page 38).
4. If all indicators show a “normal status,” replace the front cover (see Figure 3-1 on page 26). If the indicator lights show a fault, run the storage management software (TPSSM) to diagnose and repair the problem.

Front Indicator Lights

Figure 3-5 and Figure 3-6 show the indicator lights on the front of the controller enclosure.

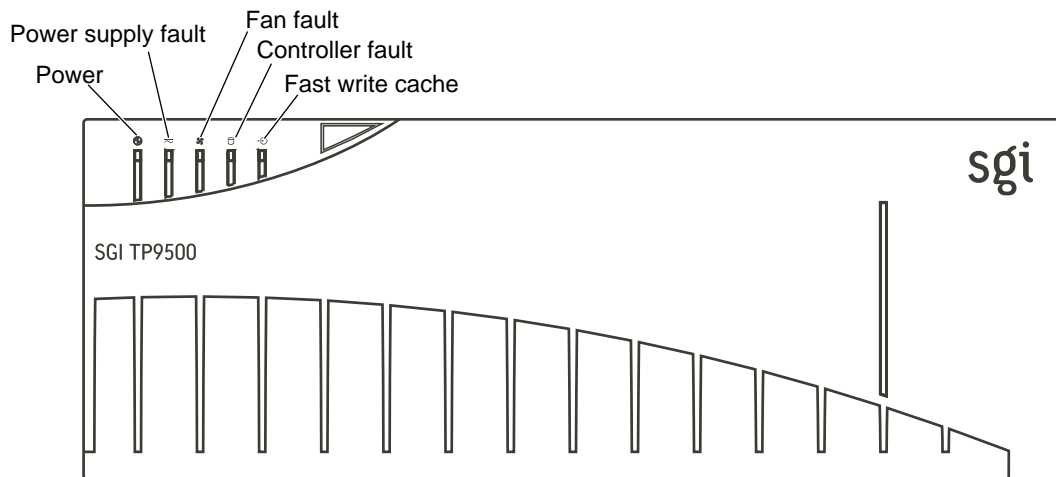


Figure 3-5 Front Indicator Lights on the Controller Enclosure (Cover in Place)

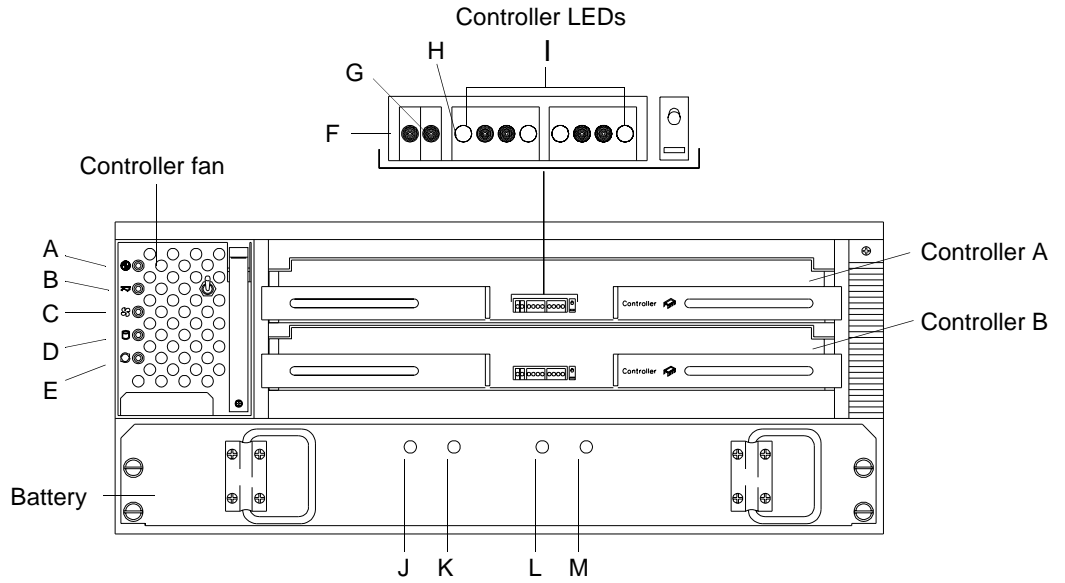


Figure 3-6 Front Indicator Lights on the Controller Enclosure (Cover Removed)

Note: You can use the audible alarm to warn you of faults (see Figure 3-6). The alarm is turned on (in upward position) when shipped. To disable the alarm, flip the switch to the downward position.

Table 3-1 describes the indicators on the front of the controller enclosure.

Table 3-1 Front Indicator Lights on the Controller Enclosure

Component	Label	Indicator Light	Color	Normal Operation	Problem Indicator	Condition Indicated ^a
Controller fan canister	A	Summary power indicator	Green	On	Off	Controller enclosure is unplugged or turned off; power supply failure; power supply is installed incorrectly or is missing; overtemp condition.
	B	Power supply fault Indicator	Amber	Off	On	No power to controller enclosure (all indicator lights are off); power supply is turned off or unplugged; power supply is overheated or failed; power supply is installed incorrectly or is missing.
	C	Controller fan fault indicator	Amber	Off	On	Fan/communications canister is missing, unplugged, or failed; circuitry failure; controller fan failed; controller fan failure caused one or both controllers to overheat.
	D	Summary controller fault indicator	Amber	Off	On	One controller failed; one or more failed memory modules (SIMMs or DIMMs) on a controller. Note: Check the Controller Fault indicator on each controller to determine which controller failed.
	E	Fast write cache indicator	Green	Steady or Blinking	Software dependent ^b	Indicator light's normal operation is Off if: - Cache is not enabled - Battery is not ready
Battery canister	J	Fault-A or Fault-B indicator	Amber	Off	On	Left or right battery bank failed; battery is either discharged or defective.
	K	Full charge-A or Full charge-B indicator	Green	On ^c	Off	Left or right battery bank is not fully charged; power has been off for an extended period and has drained battery power; batteries are weak and battery canister needs to be replaced.

Table 3-1 Front Indicator Lights on the Controller Enclosure (**continued**)

Component	Label	Indicator Light	Color	Normal Operation	Problem Indicator	Condition Indicated ^a
Controller canister	F	Controller power indicator	Green	On	Off	Controller enclosure is unplugged or turned off; power supply failure; power supply is installed incorrectly or is missing; overtemp condition.
	G	Controller fault indicator	Amber	Off	On	Controller failure; fault condition on this controller.
	H	Heartbeat indicator	Green	Blinking	Not blinking ^d	No controller activity. (This will always blink during normal operation, even when idle.)
	I	Control status indicator	Green	Active= off Passive= 5 on, 2 off	On Steady	Controller failure; fault condition on this controller.

a. Always use the storage management software (TPSSM) to precisely identify the failure.

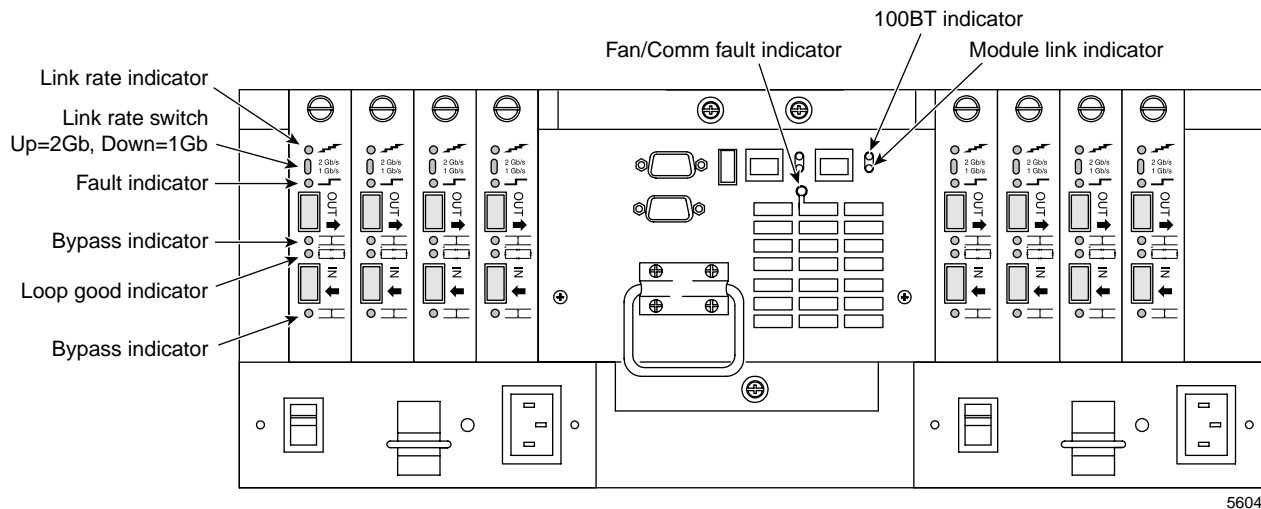
b. Fast write cache indicator blinks only during a fast write operation.

c. If either Full charge-A or -B indicator blinks, the battery is in the process of charging. This process may take up to 30 minutes.

d. There are eight status indicators, the heartbeat and seven others, that flash in various patterns, depending on the controller status.

Rear Indicator Lights

Figure 3-7 shows the indicator lights on the rear of the controller enclosure.



56049

Figure 3-7 Rear Indicator Lights on the Controller Enclosure

Table 3-2 describes the indicator lights on the rear of the controller enclosure.

Table 3-2 Rear Indicator Lights on the Controller Enclosure

Component	Indicator Light	Color	Normal Operation	Problem Indicator	Condition Indicated ^a
Minihub canisters (host side)	Link Rate Indicator	Green	N/A	N/A	On: Data transfer rate is 2 GB/s Off: Data transfer rate is 1GB/s
	Fault Indicator	Amber	Off	On	Lit from power-on through diagnostics and then turned off. If not lit during power-on, there is a fault on the board. If lit during normal operation, there is a fault on the board.

Table 3-2 Rear Indicator Lights on the Controller Enclosure (**continued**)

Component	Indicator Light	Color	Normal Operation	Problem Indicator	Condition Indicated ^a
	Bypass indicator	Amber	Off	On	2 lights on: 2 SFP transceivers inserted, but no devices connected 1 light off: active device connected to SFP transceiver 2 lights off: one or no SFP transceivers inserted
	Loop good indicator	Green	On	Off	Host loop is not operational; faulty device may be connected to minihub; minihub failure; controller failure; power failure. If a host-side minihub is not connected to a controller, the green light will always be off and the fault light will always be on.
Fan/communications canister	Fan/comm fault indicator	Amber	Off	On	Fan/communications canister has failed or is installed incorrectly.
	100 BT indicator	Green	N/A	N/A	When lit, controller is operating at 100BT. When off, the controller is running at 10BT. When off, module link light should be on. If both are off, there is a communication fault. Note: This light can disabled in the NVSRAM settings.
	Module link indicator	Green	N/A	N/A	When lit, controller is operating at 10BT. When not lit and 100 BT indicator is lit, the controller is running at 100BT. If both are off, there is a communication fault. Note: This light can disabled in the NVSRAM settings.
Minihub canisters (drive side)	Link rate indicator	Green	N/A	N/A	On: Data transfer rate is 2 GB/s Off: Data transfer rate is 1 GB/s
	Link rate switch	N/A	N/A	N/A	Switch in UP position: data transfer rate is 2 GB/s Switch in DOWN position: data transfer rate is 1 GB/s

Table 3-2 Rear Indicator Lights on the Controller Enclosure **(continued)**

Component	Indicator Light	Color	Normal Operation	Problem Indicator	Condition Indicated ^a
	Fault indicator	Amber	Off	On	Lit from power up through diagnostics, then turned off. If not lit during power up, there is a fault on the board. If lit during normal operation, there is a fault on the board.
	Bypass indicator	Amber	Off	On	2 lights on: 2 SFP transceivers inserted, but no devices connected. 1 light off: active device connected to SFP transceiver.
	Loop good indicator	Green	On	Off	Host loop is not operational; faulty device may be connected to minihub; minihub failure; controller failure; power failure. If a host-side minihub is not connected to a controller, the green light will always be off and the fault light will always be on.
Power supply canisters	Power supply indicator	Green	On	Off	Power switch is off; power cord unplugged; power supply failure; power supply is overheated.

a. Always use the storage management software (TPSSM) to precisely identify the failure.

Checking the Battery Service Date

To check the battery service date, follow these steps:

1. Remove the front cover from the controller enclosure (see Figure 3-1).
2. Check the “Battery Support Information” label (see Figure 3-8).

The label on the front of the battery canister has three dates:

- **Date of manufacture:** The date the battery canister was built at the factory.
- **Date of installation:** The date the battery canister was installed in the controller enclosure.
- **Replacement date:** The date you should replace the battery canister.

Look at the replacement date. If it is time to replace the battery, install a new battery canister, using the same instructions as shown in “Replacing a Failed Battery Canister” on page 51. Otherwise, proceed to step 3.

Important: Under normal circumstances, replace the battery canister every two years. Using the controller enclosure in a hot environment (above 35 °C or 95 °F) lowers the life expectancy of the battery canister. Under these conditions, you may need to replace the battery more often.

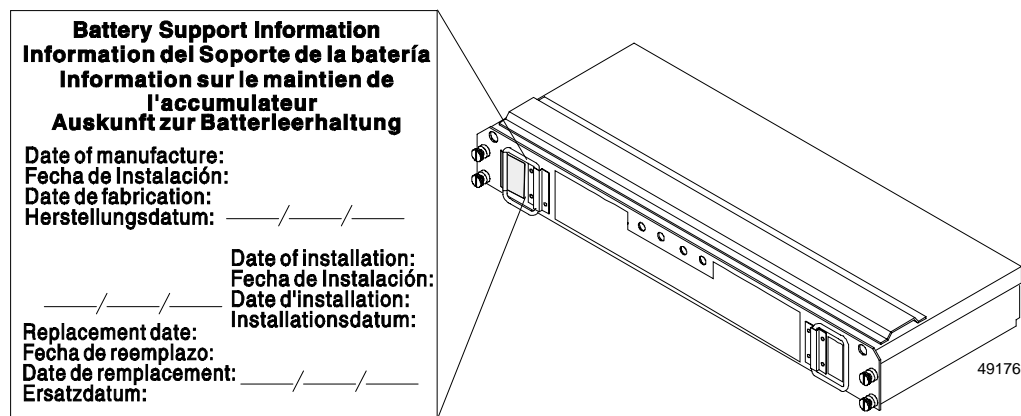


Figure 3-8 Checking the Battery Service Date

3. Replace the front cover on the controller enclosure (see Figure 3-1 on page 26).

Moving the Controller Enclosure

Before moving the controller enclosure to a new location or removing the enclosure from its rack, it is highly recommended that you first remove each canister. This decreases the controller enclosure’s weight (making it easier to move), helps safeguard the equipment, and ensures a easier transition to the new environment.

If you are moving the controller enclosure a short distance (within the same building), and you have sufficient assistance (one or more additional helpers) or equipment (such as a fork lift), you may be able to move the controller enclosure without removing each canister. If you do not have sufficient assistance or equipment to safely move the

equipment to its new location, see Chapter 4, “Replacement of Controller Enclosure Components” for instructions on depopulating the controller enclosure.

Note: If you are moving the controller enclosure a significant distance (for example, to another building), it is recommended that you pack it in its original shipping container.

Removing the Controller Enclosure

To remove and reinstall the controller enclosure, follow these steps:

Note: Always label any components that you remove from the enclosure so that you can reinstall them correctly.

1. Remove the front cover (see Figure 3-1 on page 26).
2. It is highly recommended that you remove the canisters to make the enclosure lighter and easier to remove. For instructions, see Chapter 4, “Replacement of Controller Enclosure Components”.
3. Remove mounting screws on the front and rear of the enclosure (see Figure 3-9). Pull the enclosure out of the rear of the rack. Set it on a level, dry surface.

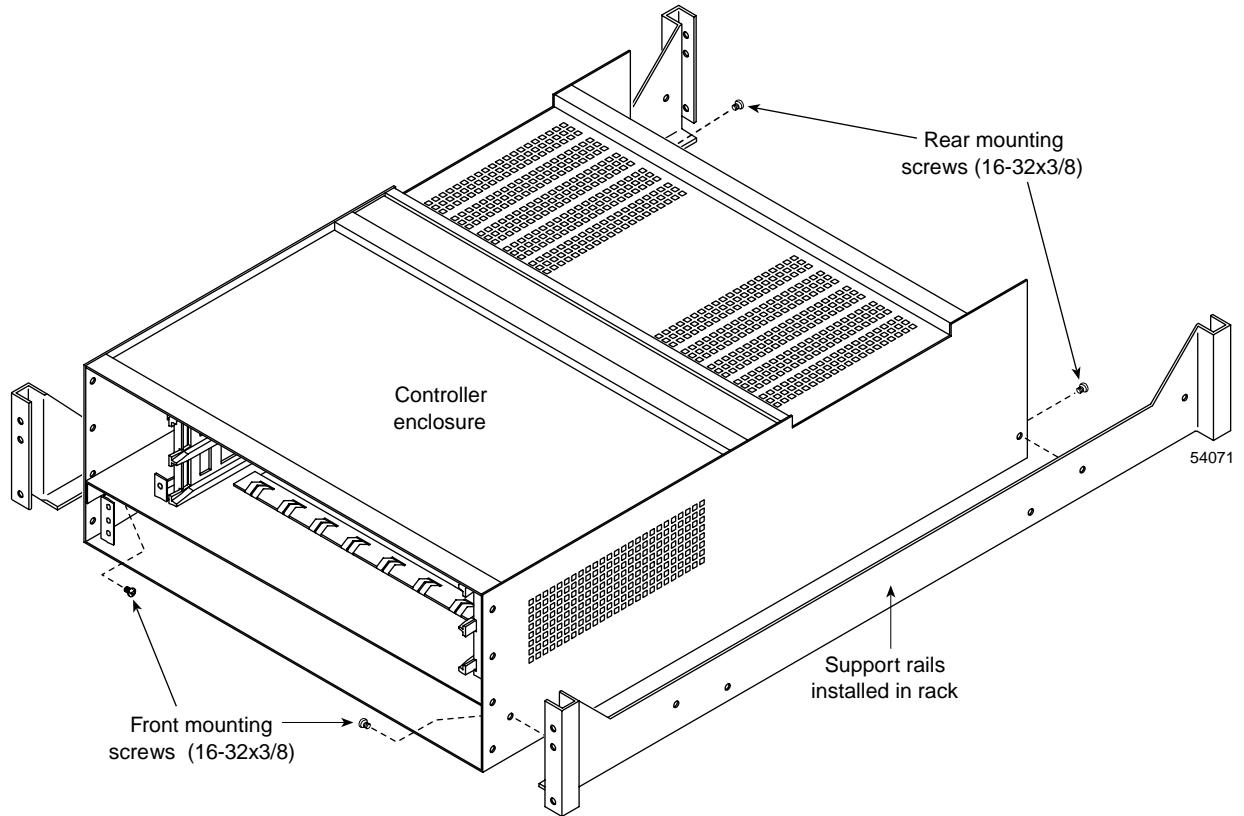


Figure 3-9 Removing the Controller Enclosure from the Rack

4. Repeat steps 1 through 3 for any other controller enclosures to be moved.
5. To move or ship the controller enclosure, choose one of the following methods:
 - If moving the controller enclosure to another rack, remove the support rails, if applicable, and power cords from the old rack and install them in the new rack. Then, install the controller enclosure in the new rack.
 - If shipping the controller enclosure to another location, replace all canisters in the controller enclosure. Carefully pack the unit in its original shipping container. If the rack at the new location is not preconfigured with the support rails, you will also need to remove them and ship them.

Reinstalling the Controller Enclosure

To reinstall the controller enclosure into a rack, follow these steps:

1. Install the support rails in the rack. See the procedure in the *SGI TP9500 RAID Installation and Upgrade Guide* (108-0375-00X).
2. From the rear of the rack, slide the controller enclosure into the rack along the support rails (see Figure 3-9).
3. Fasten the rear and front mounting screws (see Figure 3-9).
4. Replace the front cover (see Figure 3-1).
5. Wearing antistatic protection, reinstall the components into the controller enclosure. See Chapter 4, "Replacement of Controller Enclosure Components".

Replacement of Controller Enclosure Components

This chapter describes the replacement of each component in the controller enclosure in the following sections:

- “Replacing a Failed Controller Canister” on page 45
- “Returning a Failed or New Canister to Normal Operating Mode” on page 49
- “Replacing a Failed Battery Canister” on page 51
- “Replacing a Failed Controller Fan Canister” on page 55
- “Replacing a Failed Fan/Communications Canister” on page 57
- “Replacing a Failed Power Supply Canister” on page 60
- “Replacing an SFP Transceiver” on page 62
- “Replacing a Failed Minihub Canister” on page 64

Replacing a Failed Controller Canister

When instructed by the storage management software (TPSSM) to replace a controller canister, read the section titled “Controller Canister” on page 8. Then, follow these steps to replace the controller canister:

Important: After replacing a controller, you must return the system to its normal operating condition. See “Returning a Failed or New Canister to Normal Operating Mode” on page 49.



Warning: Electrostatic discharge can damage sensitive components. Use appropriate antistatic precautions before handling any components.

1. Unpack and examine the new controller.



Caution: To avoid potential data loss, make sure that the new controller is the same type (memory size, and so on) as the one you are replacing. If you accidentally install a controller of a different type, the storage management software (TPSSM) will suspend cache mirroring and issue an error message.

Using the proper handling precautions, remove the new controller from the packing material. Check the shipping invoice and the controller to make sure that it is the same type as the one you are going to replace.

2. Determine if you must modify the steps in this procedure.
 - a. Read the kit instructions shipped with the new controller canister as well as all controller repair and recovery instructions provided with the operating system and storage management software (TPSSM).
 - b. If necessary, modify the remaining steps to meet the system requirements. Kits often contain the most current servicing information. If the kit instructions conflict with those in this procedure, use the kit instructions.
3. Remove the front cover (see Figure 4-1).

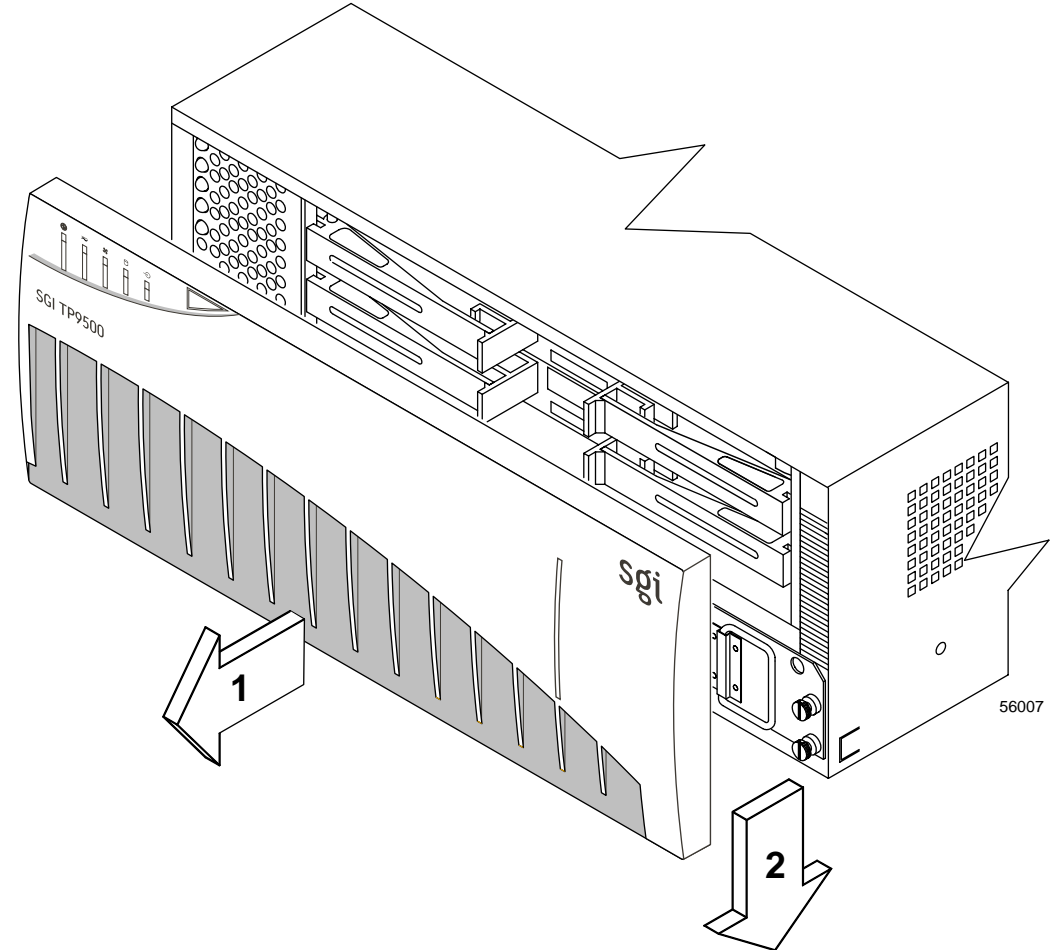


Figure 4-1 Removing the Front Cover of the Controller Enclosure



Caution: Removing a controller that is operating normally (not failed) could result in data loss. Only remove a controller that has a fault indicator that is glowing or that you have marked as “failed” (offline) through the storage management software (TPSSM).

4. Remove the failed controller by squeezing the two center tabs, opening the handles, and sliding the canister out of the enclosure. Close the handles (see Figure 4-2).

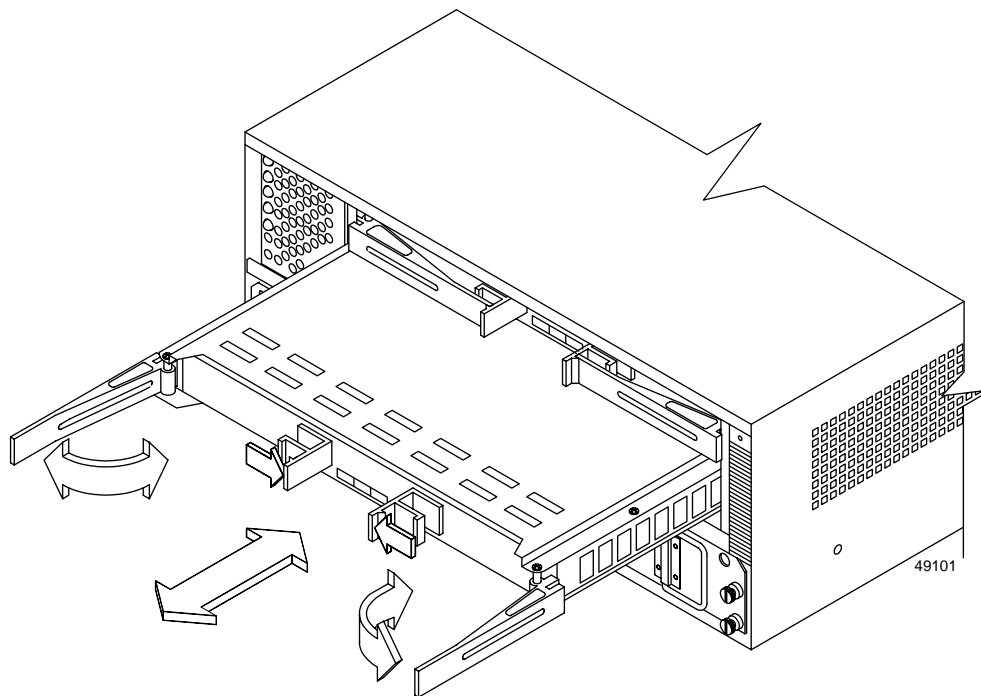


Figure 4-2 Removing and Installing a Controller Canister

5. Install the new controller.

When you replace a failed controller, the storage management software (TPSSM) will automatically synchronize the firmware between the existing controller and the new controller. If not, you must download new firmware to the replaced controller. See the storage management software for more information.

6. Check the controller canister that you just installed by doing the following:

- a. Check the controller canister indicators. The green controller power indicator should be on and the amber controller fault indicator should be off (see Figure 3-6 on page 35). If so, proceed to step 7. If the controller power indicator remains off or the controller fault indicator is on after a few seconds, make sure that the controller canister is locked into place. If the controller fault indicator remains on, proceed to step b.
- b. Use the storage management software (TPSSM) to check the status of both controllers. If applicable, perform the recovery procedures required by the

- software. If this corrects the fault and the controller enclosure is operating without error, proceed to step 7. If not, proceed to step c.
- c. Try replacing the controller. Check for new error messages or controller faults. Replace the controller canister with a new one if necessary. If this corrects the fault and the controller enclosure is operating without error, proceed to step 7. If not, proceed to step d.
 - d. If the previous steps do not correct the problem, contact your customer support representative (see “Product Support” on page xxi).
7. Replace the front cover on the controller enclosure (see Figure 4-1 on page 47).

Returning a Failed or New Canister to Normal Operating Mode

To return a failed or new canister to normal operating mode, follow these steps:

Important: After replacing a controller, you must return the system to its normal operating mode according to the steps outlined below. Follow these instructions after replacing a failed storage controller canister in a dual-active system.

1. Bring up the **TPSSM Storage Manager** window.
2. Left-click the name of the replaced storage controller.
3. Right-click the name of the replaced controller to display the pop-up menu.
4. Select **Change Mode** on the pop-up menu.
5. Select **Active** (the current state should be Passive).
6. To confirm the selection, click **Yes**.

A dialog box similar to that in Figure 4-3 is displayed.

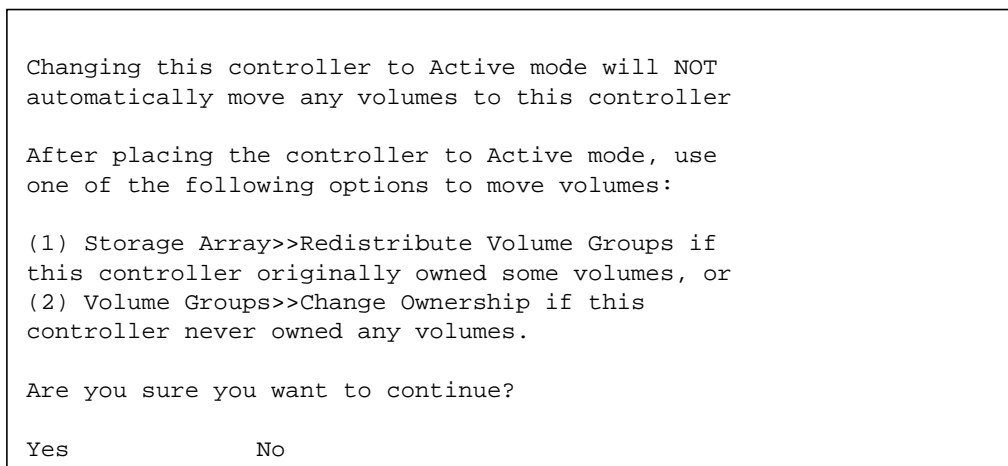


Figure 4-3 Active Mode Dialog Box

7. Read the information in the dialog box, make the appropriate choices, and then wait for 30 to 60 seconds.

If you see an Error 23 message, click **OK** and repeat steps 2 through 7.

Important: If you are installing a new controller, or if the above procedure fails to fail over the LUNS, perform the following procedure.

1. As “root,” issue the following commands:
 - a. `scsiha -p <ctrls>` (for example, `scsiha -p 2 6 7`)
 - b. `ioconfig -f /hw` (Probe all paths associated with failed storage controller and make sure they are in the hardware graph.)
2. Wait until the command activity is complete (this could take up to several minutes).

Note: You can use the `scsifo -d` and `hinv -c disk` commands to check change of path status.

3. Left-click **Storage Array**.

4. From the resulting pop-up menu, click **Redistribute Volume Groups**.
5. To confirm the selection, click **Yes**.
A dialog box similar to that in Figure 4-3 is displayed.
6. Read the information in the dialog box, make the appropriate choices, and then wait for 30 to 60 seconds.

Note: SGI volume manager XLV or XVM is required for the automatic movement of volumes/LUNs between controllers.

Everything should have failed back to both storage controllers. However, not all original paths may be in use. To adjust back to original paths use the `scsifo -s <current path>` command. See the following example command:

```
scsifo -s 209c00a0b8001396/lun4/c7p2
```

Note: You can use the `scsifo -d` and `hinv -c disk` commands to check change of path status.

Note: Failover can take a long time, depending on the conditions in your system.

Replacing a Failed Battery Canister

When instructed by the storage management software (TPSSM) to replace a battery canister, read the section titled “Battery Canister” on page 11, and then follow these steps:



Warning: Electrostatic discharge can damage sensitive components. Use appropriate antistatic precautions before handling any components.

1. Use the storage management software (TPSSM) to check for data in cache and to disable caching.

Make sure that there is no data in cache and that all caching is stopped. Data in cache is unprotected if a power outage occurs while the battery canister is out of operation.



Caution: Opening the battery canister will void your warranty. Because the battery canister is a sealed unit, you must replace the entire canister (not just the batteries) in order to keep the battery backup system in working order.

2. Unpack the battery canister. Save the packing material for shipping the used battery canister to a disposal facility. Record the following service date information on the front label of the new battery canister (see Figure 4-4):
 - **Date of installation:** Record today's date.
 - **Replacement date:** Record the expiration date (two years from today's date).

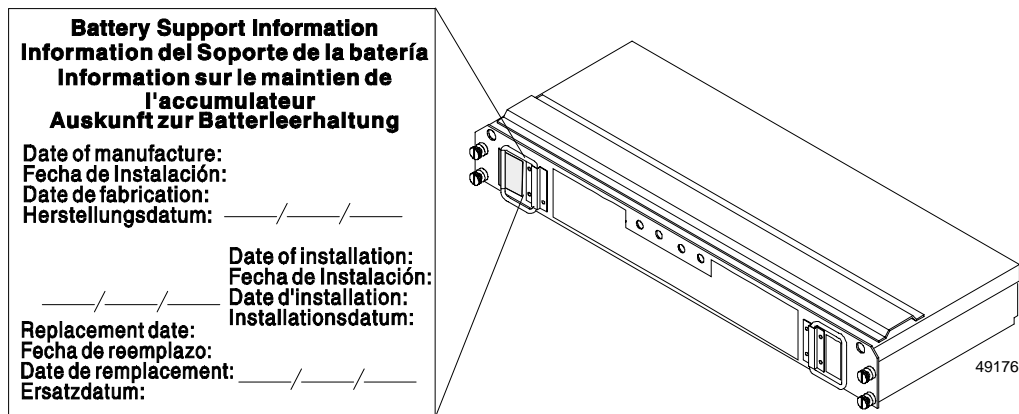


Figure 4-4 Recording the Battery Support Information

3. Remove the front cover (see Figure 4-1).



Caution: Be careful when removing the battery canister. It weighs approximately 24 lbs.

4. Remove the battery canister (see Figure 4-5).

Turn the captive screws counterclockwise, using a flat-blade screwdriver to loosen the screws, if necessary. Use the handles to pull out the battery canister a few inches. Grasp the sides of the battery with both hands and remove the canister.

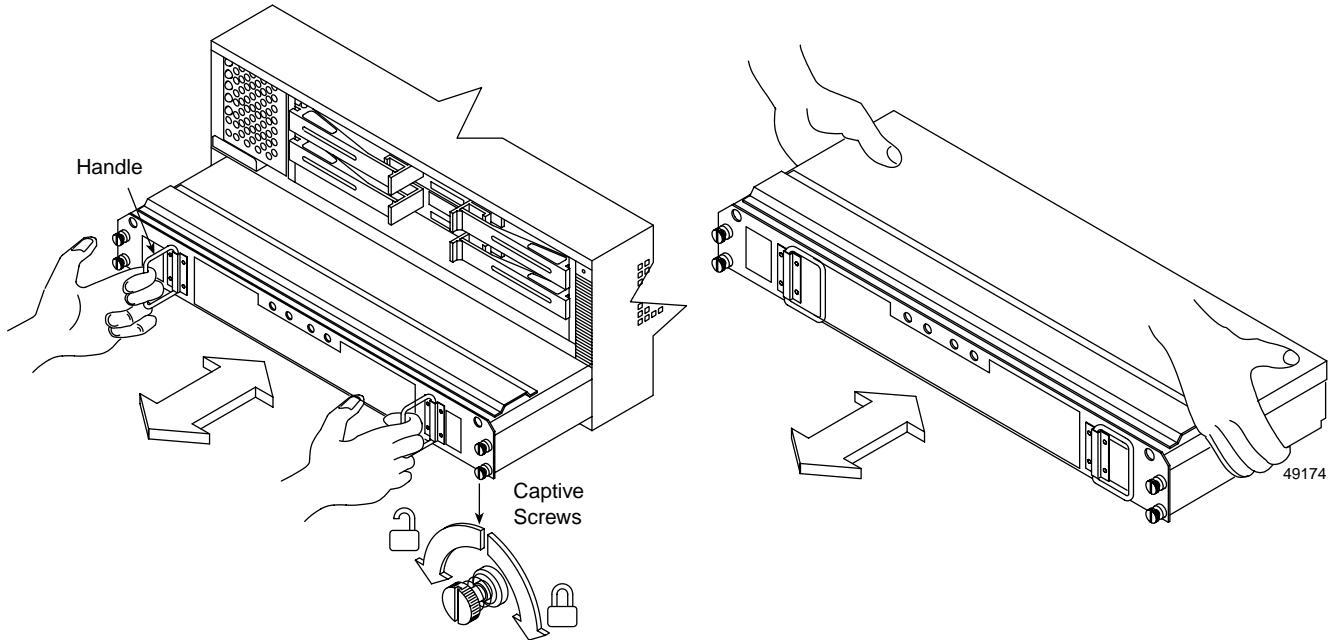


Figure 4-5 Removing and Installing a Battery Canister

5. Install the new battery canister by sliding it into the slot and tighten all captive screws.
6. Replace the front cover by reversing the sequence in Figure 4-1.
7. Let the system run for an appropriate amount of time to properly charge the batteries. It may take up to 30 minutes for the battery canister to complete its self test and up to 12 hours to fully charge.
8. Check the battery canister indicators (see Figure 4-6). When properly charged, both Full charge indicators on the front of the battery canister will glow steadily.

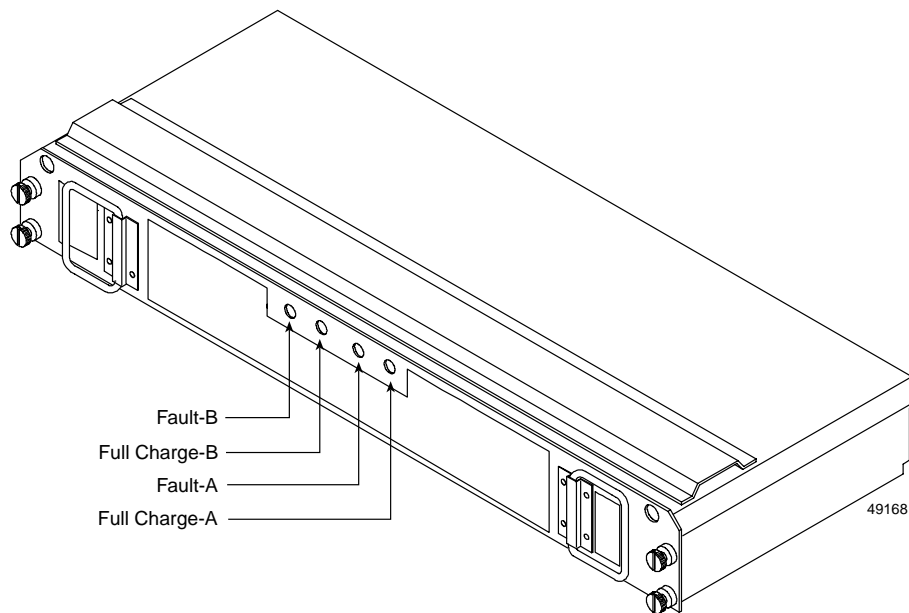


Figure 4-6 Battery Canister Indicators

Note: If either the full charge-A or full charge-B indicator is blinking, the battery is in the process of charging.

9. You must reset the battery installation date with the storage management software (TPSSM). Otherwise, the software will continue to issue battery-related errors.



Warning: The battery contains potentially hazardous material! If the battery canister is damaged or is leaking electrolyte gel, DO NOT ship it to a recycling center. The sealed lead acid batteries inside the battery canister may be considered as hazardous material in some regions. Return the battery directly to SGI.

10. Return the used battery canister directly to SGI.

Replacing a Failed Controller Fan Canister

When instructed by the storage management software (TPSSM) to replace a controller fan canister, read the section titled “Controller Fan Canister” on page 12, and then follow these steps:



Warning: Electrostatic discharge can damage sensitive components. Use appropriate antistatic precautions before handling any components.

1. Unpack the new controller fan canister.
2. Remove the front cover (see Figure 4-1).



Warning: To prevent damage to the controller enclosure circuitry, do not operate the controller enclosure without adequate ventilation to the controllers. If it will take longer than 15 minutes to replace the controller fan canister, you must shut down the controller enclosure to prevent its overheating. The time limit applies only to the total time that the fan canister is out of the chassis. The time begins when you remove the failed canister and ends when you re-seat the new one. This does not include the time it takes you to perform this entire procedure (for example, checking the indicators).

3. Remove the failed controller fan (see Figure 4-7). Pull up on the side lever, and then pull out on the lower handle to remove the fan canister.

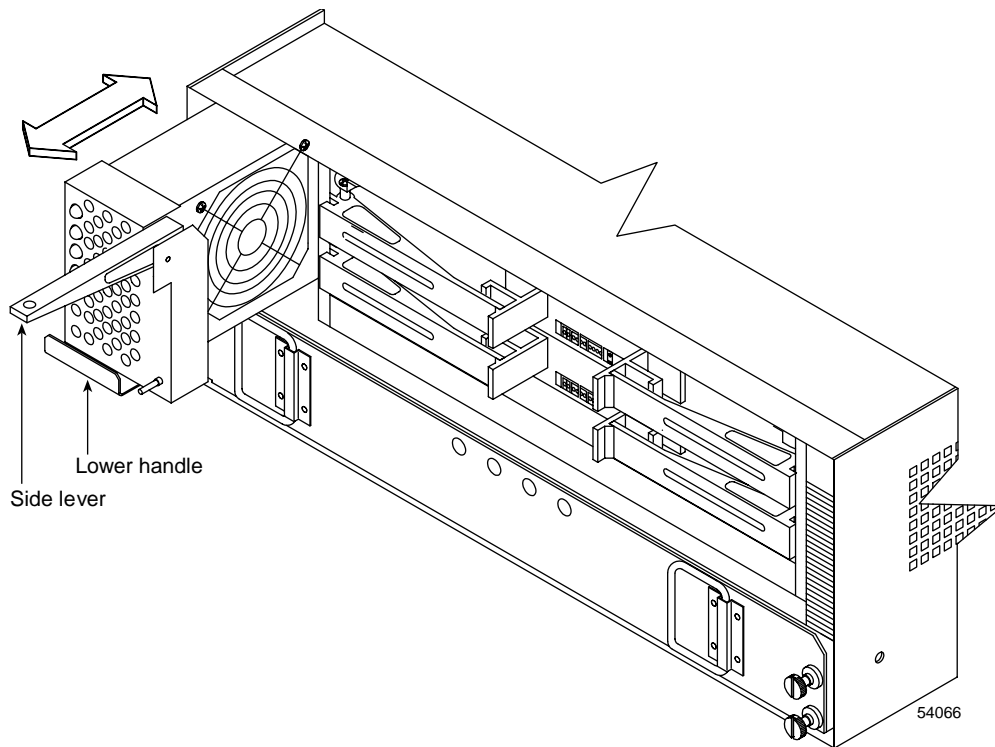
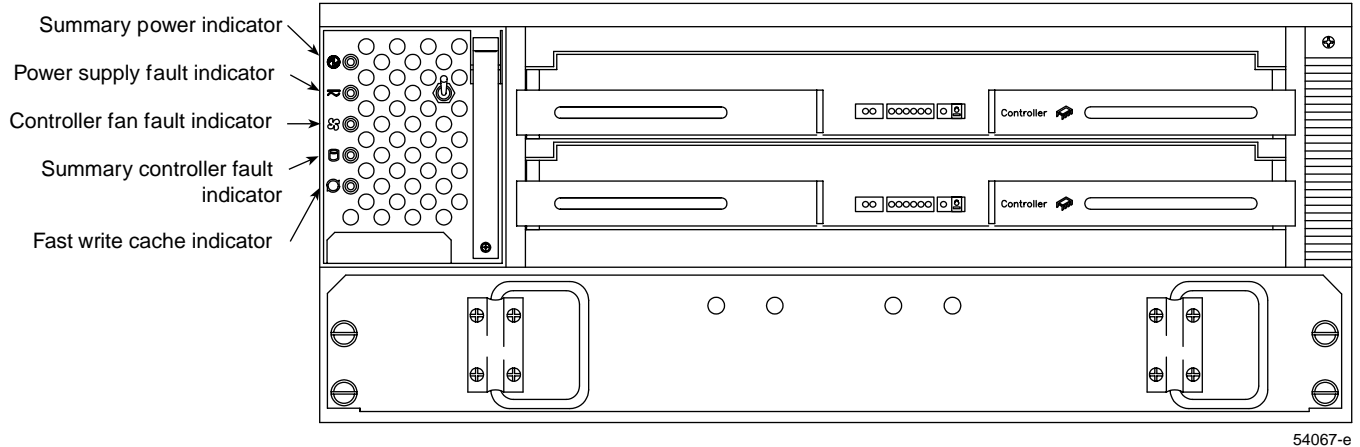


Figure 4-7 Removing and Installing a Controller Fan Canister

4. Install the new controller fan canister (see Figure 4-7). Slide the new canister all the way into the slot, and then push the side lever down to secure the canister in place.

Note: You have the option of using the audible alarm to warn you of faults. The alarm is turned on (in upward position) when shipped. To disable the alarm, flip the switch to the downward position.

5. Check the indicators on the controller fan canister (see Figure 4-8). The green summary power indicator should be on and the amber controller fan fault indicator should be off. Troubleshoot the indicators as follows:
 - If the amber controller fan fault indicator is on, or the green Summary Power indicator is off, make sure the canister is seated securely in the slot and the side lever is pushed down.



54067-e

Figure 4-8 Controller Fan Indicators

- If the amber controller fan fault indicator is on, there might be a problem with the new controller fan canister. Replace it, if a spare is available. If not, turn off the controller enclosure to prevent it from overheating while you get a replacement canister.
 - If the power supply fault or the summary controller fault is on, run the storage management software (TPSSM) to diagnose and repair the problem.
6. Replace the front cover by reversing the sequence in Figure 4-1.

Replacing a Failed Fan/Communications Canister

When instructed by the storage management software (TPSSM) to replace a fan/communications canister, read the section titled “Fan/Communications Canister” on page 15, and then follow these steps:



Warning: Electrostatic discharge can damage sensitive components. Use appropriate antistatic precautions before handling any components.

1. Unpack the new fan/communications canister.



Caution: Bending or damaging Fibre Channel cables can result in degraded performance or data loss. Fibre Channel cables are fragile and can break easily. Handle the cables carefully. Do not pinch them with tie wraps, step on them, or bend them at sharp angles.

2. Remove or open the rear access panel on the rack.

Important: If you are using a diagnostic program, stop the program before disconnecting the cables. Label the cable that is connected to the failed controller.

3. Disconnect all interface cables (RS-232 and Ethernet) from the failed fan/communications canister (see Figure 4-9).

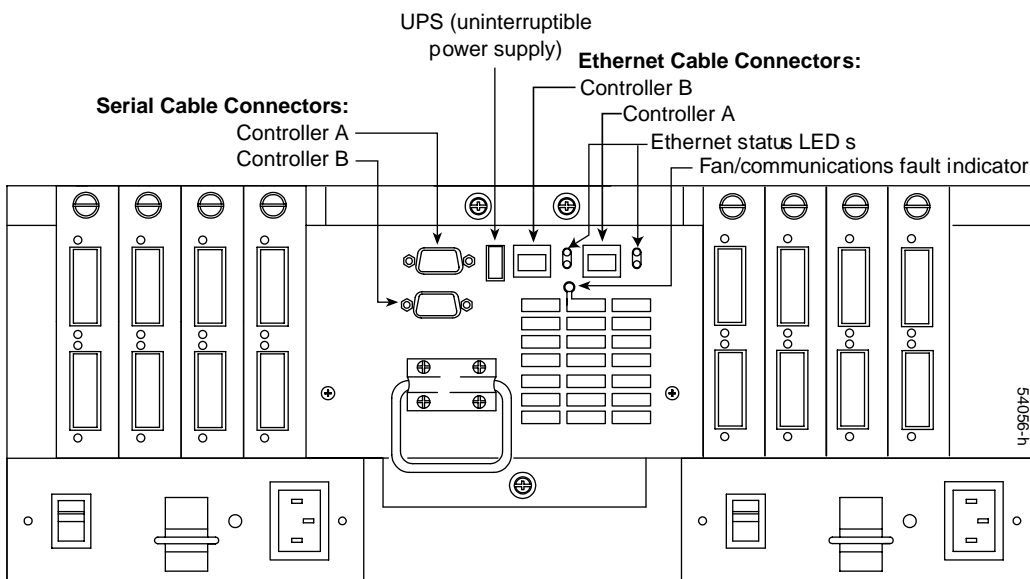


Figure 4-9 Fan/Communications Interface Cables and Fault Indicator



Warning: You must be aware of the time limit to prevent damage to the controller enclosure circuitry. You can replace the fan/communications canister while the controller enclosure is in operation if you complete the exchange within 15 minutes. This time limit applies only to the total time that the fan/communications canister is out of the controller enclosure, beginning when you remove the failed canister and ending when you re-seat the new one. This does not include the time it takes you to do this entire procedure (such as checking indicators).

4. Remove the failed fan/communications canister from the controller enclosure (see Figure 4-10). Using a flat-blade screwdriver, loosen the three captive screws on the fan/communications canister. Use the handle to pull the canister out of the slot a few inches. Then grasp the sides of the canister with both hands and remove it from the controller enclosure.

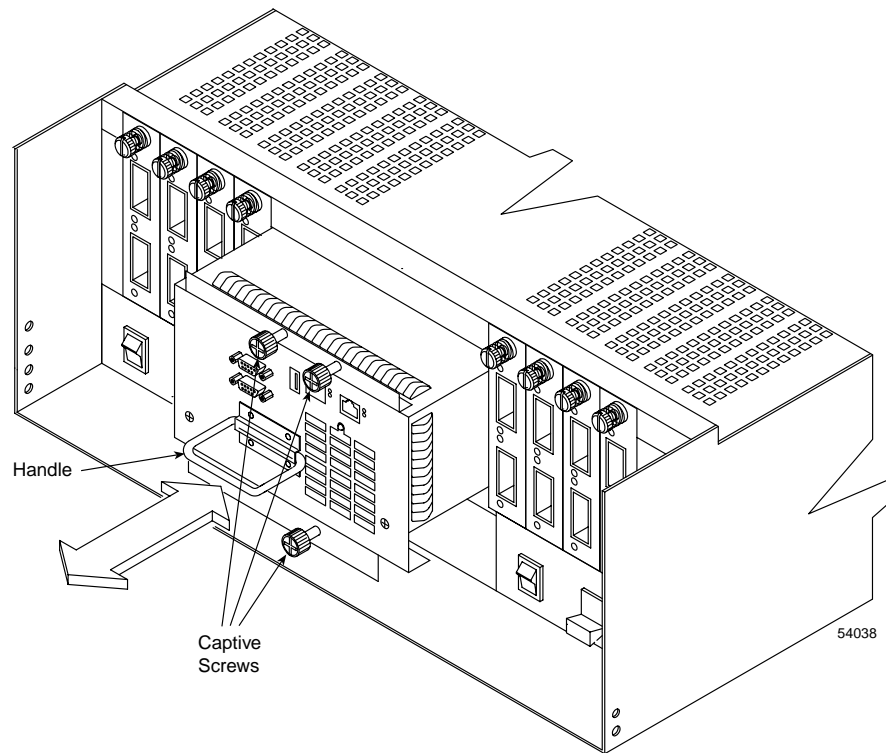


Figure 4-10 Removing and Installing a Fan/Communications Canister

5. Install the new fan/communications canister.
Push the new fan/communications canister all the way into its chassis slot. Use a flat-blade screwdriver to tighten the three captive screws on the new canister, securing it into place.
6. Check the fan/communications fault indicator (Figure 4-9 on page 58). The amber fault indicator should be off. Troubleshoot the indicator as follows:
 - If the fault indicator turns on, make sure that the fan/communications canister is inserted all the way into the chassis and secured in place.
 - If the fault indicator remains on, one or both fans inside the fan/communications canister might be malfunctioning. Replace the failed fan/communications canister with a spare, if available. If not, shut down the controller enclosure until you can replace the failed fan/communications canister with a new one.
7. Reconnect the interface cables, which you disconnected in step 3, to the new fan/communications canister.

Replacing a Failed Power Supply Canister

When instructed by the storage management software (TPSSM) to replace a power supply canister, read the section titled “Power Supply Canister” on page 18, and then follow these steps:



Warning: Electrostatic discharge can damage sensitive components. Use appropriate antistatic precautions before handling any components.

1. Remove or open the rear access panel from the rack.



Caution: Bending or damaging Fibre Channel cables can result in degraded performance or data loss. Fibre Channel cables are fragile and can break easily. Handle the cables carefully. Do not pinch them with tie wraps, step on them, or bend them at sharp angles.

2. Check the power indicator on the power supply at the rear of the controller enclosure (see Figure 4-11). The green power indicator on the failed power supply will be off.

3. Turn off the power switch and unplug the power cord from the failed power supply (see Figure 4-11).

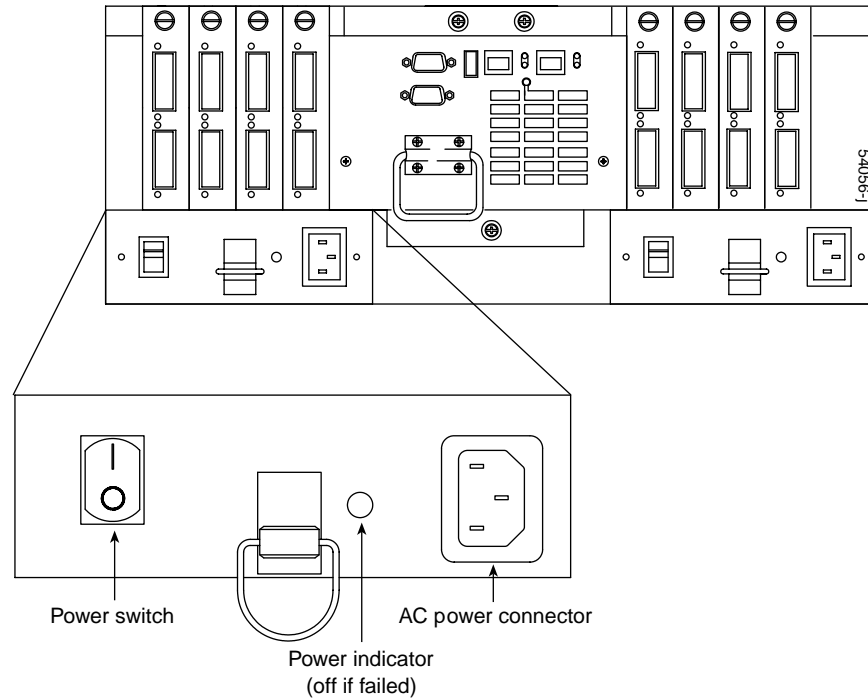


Figure 4-11 Power Supply Switch, Connector, and Indicator



Warning: Risk of electrical shock! Always turn off the power supply power switch and unplug the power supply power cord before you remove or install a power supply canister.

4. Remove the failed power supply (see Figure 4-12). Pull up on the ring to release the canister, and then slide it out of the enclosure.

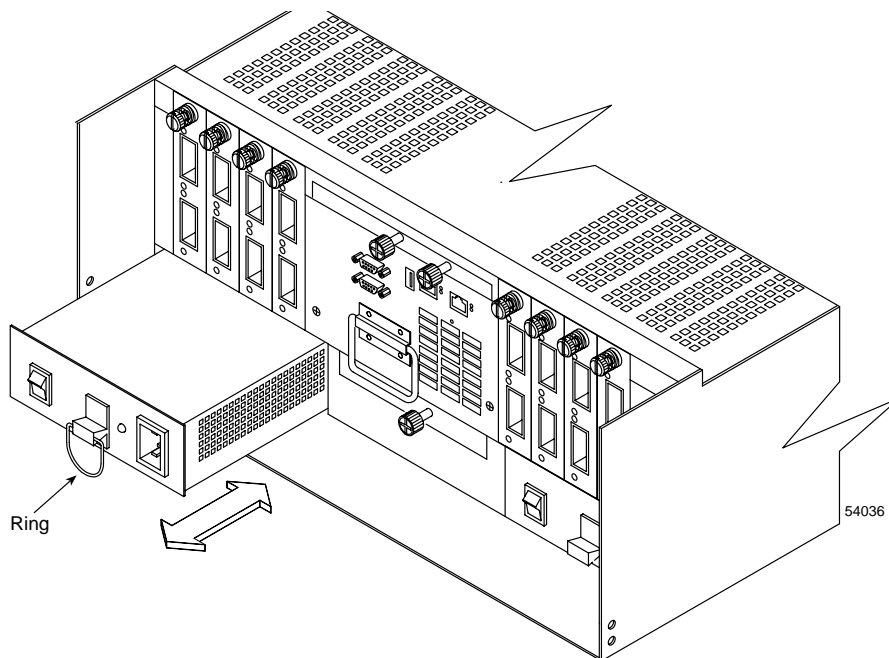


Figure 4-12 Removing and Installing a Power Supply Canister

5. Unpack the new power supply.
6. Make sure that the power switch on the new canister is turned off.
7. Install the new power supply canister (see Figure 4-12). Push the canister into the slot until it locks in place.
8. Plug in the power cord and turn on the power (see Figure 4-11).
9. Check the new power supply and other controller enclosure indicators for faults.

Replacing an SFP Transceiver

When instructed by the storage management software (TPSSM) to replace a SFP transceiver, read the section titled “SFP Transceiver” on page 24, and then follow these steps:



Warning: Electrostatic discharge can damage sensitive components. Use appropriate antistatic precautions before handling any components.

Note: Replacing an SFP transceiver can induce failover. Check the system management software (TPSSM) for messages about movement of device paths.

1. Remove or open the rear access panel on the rack.



Caution: Bending or damaging Fibre Channel cables can result in degraded performance or data loss. Fibre Channel cables are fragile and can break easily. Handle the cables carefully. Do not pinch them with tie wraps, step on them, or bend them at sharp angles.

2. Unpack the new SFP transceiver and, if available, read the instructions shipped with the new part. If necessary, modify the remaining steps to meet the system requirements. Kits often contain the most current servicing information. If the kit instructions conflict with those in this procedure, use the kit instructions.



Caution: To prevent possible data loss, do not accidentally remove cables from an SFP transceiver that is not failed.

3. Remove the interface cables from the failed SFP transceiver (see Figure 4-13).

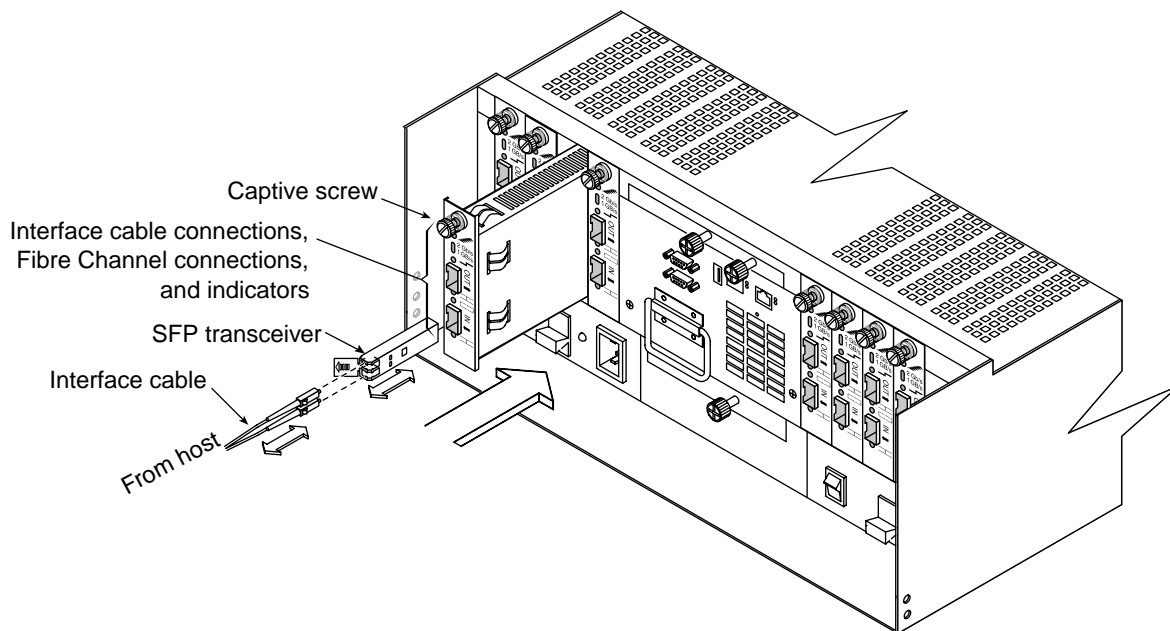


Figure 4-13 Removing and Installing an SFP Transceiver

4. Remove the failed SFP transceiver from its minihub slot (see Figure 4-13).
5. Insert the new SFP transceiver into its minihub slot.
6. Reconnect the interface cables.

At the system console, re-enable the interface.

Replacing a Failed Minihub Canister

Follow these instructions when instructed by the storage management software (TPSSM) to replace a minihub canister. To replace either a host-side or a drive-side minihub canister, read the section titled “Minihub Canister” on page 19, and then follow these instructions:



Warning: Electrostatic discharge can damage sensitive components. Use appropriate antistatic precautions before handling any components.

1. Remove or open the rear access panel on the rack.



Caution: Bending or damaging Fibre Channel cables can result in degraded performance or data loss. Fibre Channel cables are fragile and can break easily. Handle the cables carefully. Do not pinch them with tie wraps, step on them, or bend them at sharp angles.

2. Check the minihub indicators at the rear of the controller enclosure. On a failed minihub, the interface fault indicator will be on and the loop good indicator will be off.
3. Unpack the new minihub canister and, if available, read the instructions shipped with the new minihub. If necessary, modify the remaining steps to meet the system requirements. Kits often contain the most current servicing information. If the kit instructions conflict with those in this procedure, use the kit instructions.



Caution: To prevent possible data loss, do not accidentally remove cables from a module that has not failed.

4. Remove the interface cables from the Fibre Channel connections on the failed minihub (see Figure 4-13).
5. Remove each SFP transceiver from the minihub slot (see Figure 4-13).
6. Unfasten the captive screw on the minihub and remove it from the chassis (see Figure 4-14).

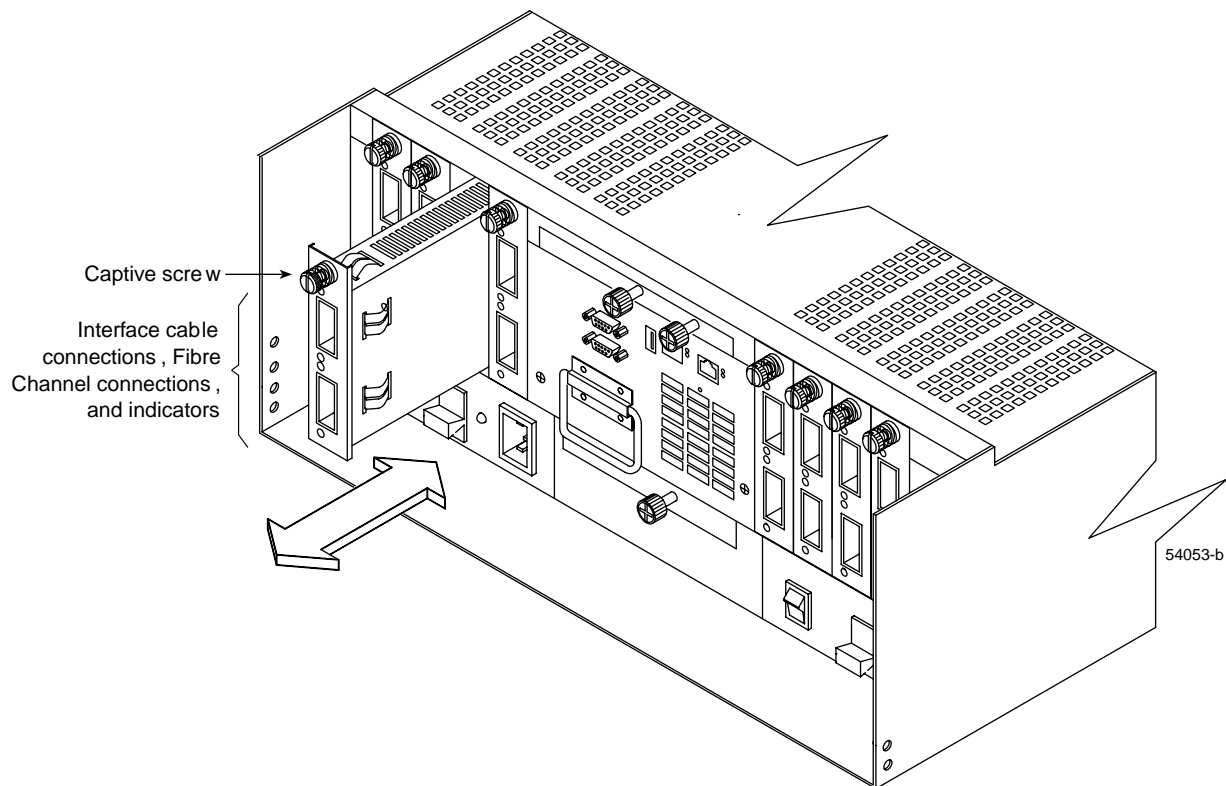


Figure 4-14 Removing and Installing a Minihub

7. Install the new minihub into the slot and tighten the captive screw.
8. Install the SFP transceiver(s) into the minihub.
9. Replace the interface cables.
10. Check the indicators on the minihub.

For more information on interpreting the indicators on the rear of the minihub, see “Rear Indicator Lights” in Chapter 3. If a problem is indicated, use the storage management software (TPSSM) to check the controller enclosure status.

Drive Enclosures

The drive enclosures are compact units that provides high-capacity disk storage for Fibre Channel environments. Drive enclosures contain the following components:

- Fibre Channel disk drives
- Redundant power supplies
- Redundant fans
- Redundant environmental status modules
- Fibre Channel interface

This chapter contains information about the drive enclosures in the following sections:

- “Enclosure Types” on page 67
- “Interface Connectors and Switches” on page 72
- “Drive Enclosure Components” on page 75

Enclosure Types

This section describes the two types of drive enclosures: 10-drive enclosures and 14-drive enclosures. They share many of the same components and differ only in physical dimensions and capacity.

10-Drive Enclosure

The 10-drive enclosure has the following features:

- Height equal to three rack units (1 rack unit = 1.75 in.)
- Holds up to 10 hot-pluggable dual-ported Fibre Channel drives (FC-AL)
- Supports 1-in. and 1.6-in. drive form factors

- Fault and activity indicators
- Redundant hot-pluggable power supplies
- Redundant hot-pluggable environmental service modules (ESMs)
- Redundant cooling fans
- SFP drive enclosure interfaces

Figure 5-1 shows the components found on the front of the 10-drive enclosure:

- **Drive modules:** Ten removable modules containing disk drives. For more information on the drive modules, see “Drive Module” on page 76.
- **Drive indicators:** Each drive has an activity and a fault indicator above it on the front bezel.
- **Power indicator:** This indicator glows green when the drive enclosure is on.
- **Global fault indicator:** This indicator glows amber if any component in the drive enclosure has failed.

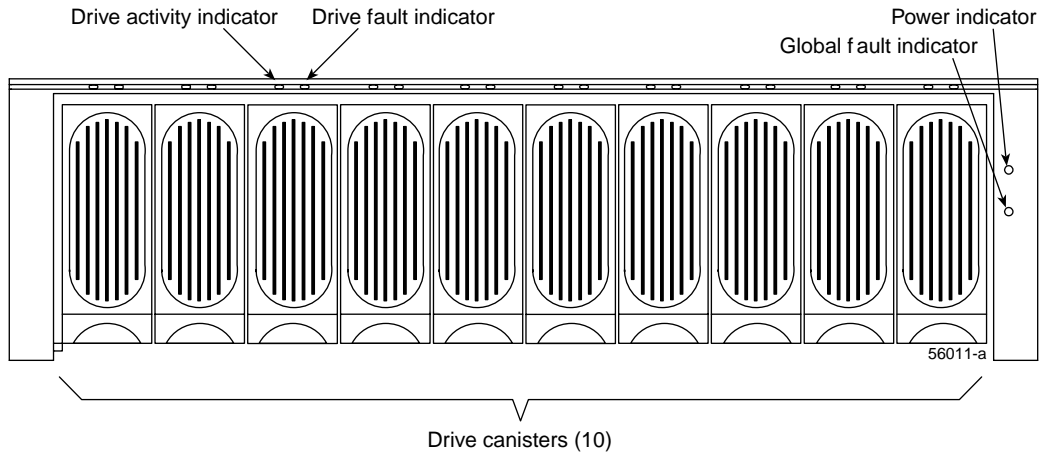


Figure 5-1 Front View of the 10-Drive Enclosure

Important: If the global fault or drive fault indicators are steady amber (not blinking), there is a problem with the drive enclosure. Run the storage management software (TPSSM) to diagnose and repair the problem. For more information on the indicators, see “Checking the Indicator Lights” on page 89.

Figure 5-2 shows the components found on the rear of the 10-drive enclosure:

- **Fan canisters:** Two removable canisters containing the cooling fans. For more information on the fan canisters, see “Fan Canister” on page 77.
- **Power supply canisters:** Two removable canisters containing the power supplies. For more information on the power supply canisters, see “Power Supply Canister” on page 78.
- **Environmental status modules:** Two removable canisters containing the interface board, called an ESM (environmental services monitor) board. Each canister has two slots for SFP transceivers. For more information on environmental status modules, see “Environmental Status Module” on page 80.
- **Indicators:** Each canister has indicators showing component status. See “Checking the Indicator Lights” on page 89 for details.

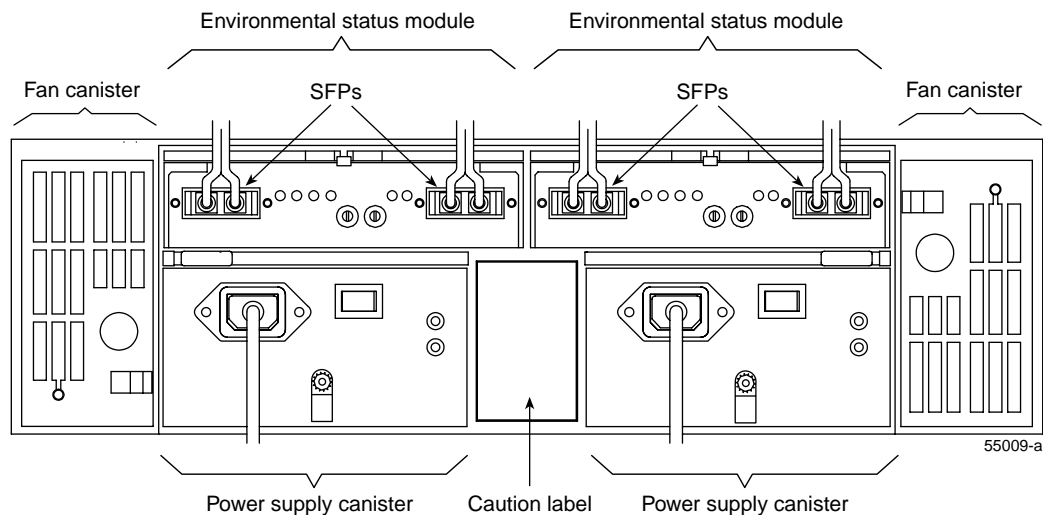


Figure 5-2 Rear View of the 10-Drive Enclosure

Important: An indicator that is glowing amber may indicate a drive enclosure component failure that needs immediate attention. Run the storage management software (TPSSM) to diagnose and repair the problem. For more information on the indicators, see “Checking the Indicator Lights” on page 89.

14-Drive Enclosure

The 14-drive enclosure has the following features:

- Height equal to three rack units (1 rack unit = 1.75 in.)
- Holds up to 14 hot-pluggable dual-ported Fibre Channel drives (FC-AL)
- Supports 1-in. drive form factor only
- Fault and activity indicators
- Redundant hot-pluggable power supplies
- Redundant hot-pluggable environmental service modules (ESMs)
- Redundant cooling fans
- SFP drive enclosure interfaces

Figure 5-1 shows the components on the front of the 14-drive enclosure as follows:

- **Drive modules:** Ten removable modules containing disk drives. For more information on the drive modules, see “Drive Module” on page 76.
- **Drive indicators:** Each drive has an activity and a fault indicator above it on the front bezel.
- **Power indicator:** This indicator glows green when the drive enclosure is on.
- **Global fault indicator:** This indicator glows amber if any component in the drive enclosure has failed.

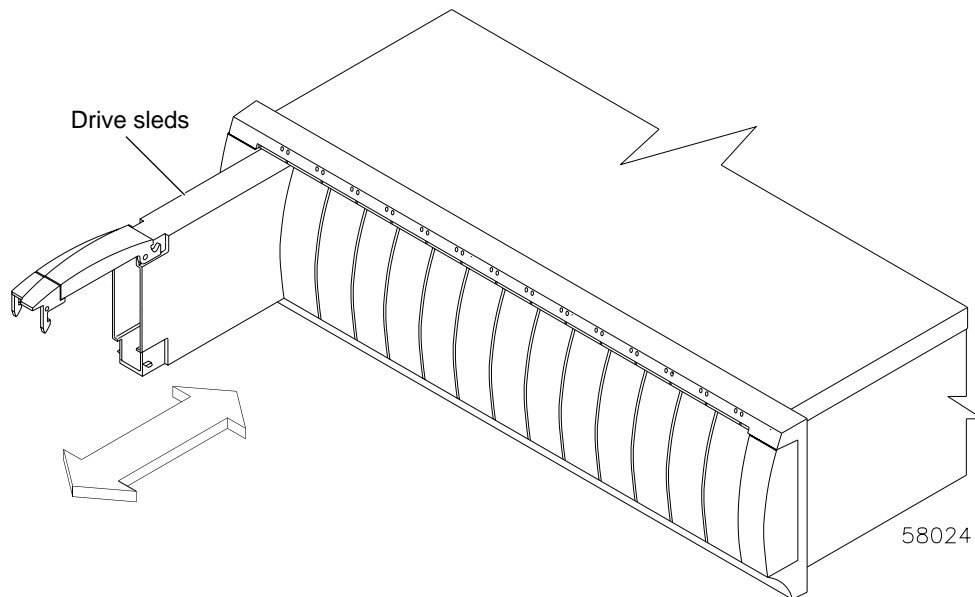


Figure 5-3 Front View of the Drive Enclosure

Important: If the global fault or drive fault indicators are steady amber (not blinking), there is a problem with the drive enclosure. Run the storage management software (TPSSM) to diagnose and repair the problem. For more information on the indicators, see “Checking the Indicator Lights” on page 89.

Figure 5-2 shows the components on the rear of the 10-drive enclosure:

- **Fan canisters:** Two removable canisters containing the cooling fans. For more information on the fan canisters, see “Fan Canister” on page 77.
- **Power supply canisters:** Two removable canisters containing the power supplies. For more information on the power supply canisters, see “Power Supply Canister” on page 78.
- **Environmental status modules:** Two removable canisters containing the interface board, called an ESM (environmental services monitor) board. Each canister has two slots for SFP transceivers. For more information on environmental status modules, see “Environmental Status Module” on page 80.

- **Indicators:** Each canister has indicators showing component status. See “Checking the Indicator Lights” on page 89 for details.

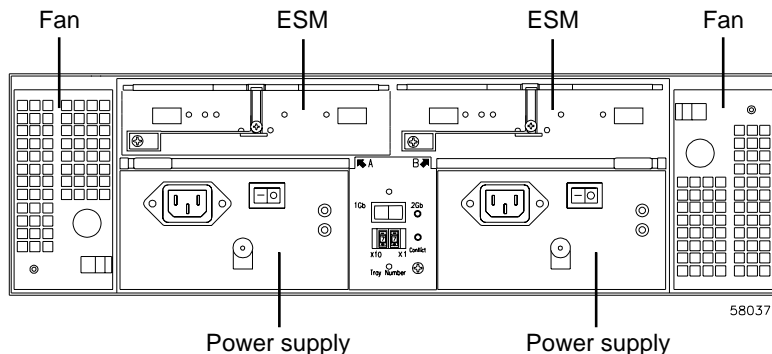


Figure 5-4 Rear View of the Drive Enclosure

Important: An indicator that is glowing amber may indicate a drive enclosure component failure that needs immediate attention. Run the storage management software (TPSSM) to diagnose and repair the problem. For more information on the indicators, see “Checking the Indicator Lights” on page 89.

Interface Connectors and Switches

This section describes the connectors and switches on the 10-drive enclosure and 14-drive enclosure.

Connectors and Switches on the 10-drive Enclosure

Figure 5-5 shows the connectors and switches on the rear of the 10-drive enclosure. Table 5-1 describes these items.

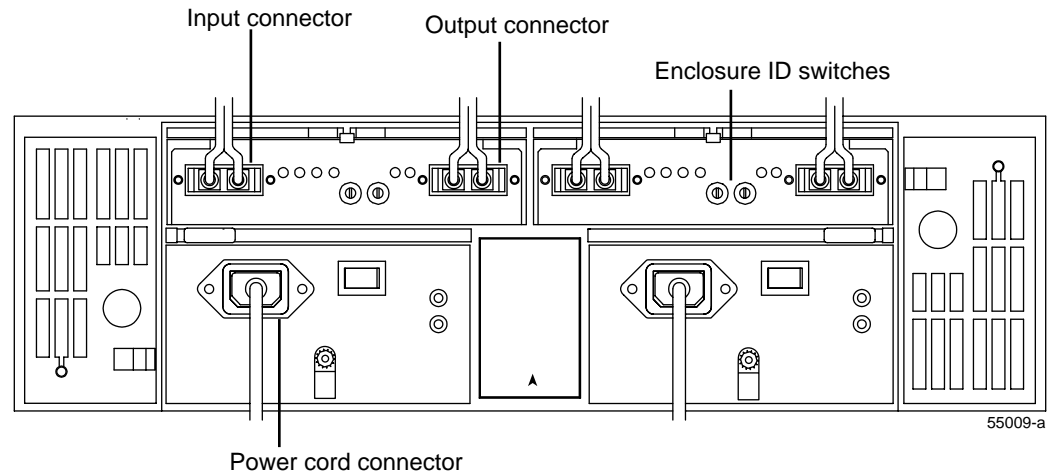


Figure 5-5 Connectors and Switches on the 10-drive Enclosure (Rear)

Table 5-1 Connectors and Switches on the 10-drive Enclosure (Rear)

Item	Description
Input and output connectors	<p>The connectors are slots that contain an optical SFP. Each canister has two slots, one In and one Out. The SFPs convert the Fibre Channel signals to electrical signals.</p> <p>All drives are accessible from either environmental status module.</p>
Enclosure ID switches	<p>These two switches are used to set the enclosure ID number during installation. One switch is the ten's place and the other is the one's place.</p> <p>Each drive enclosure cabled to a controller pair has a unique ID.</p>
Power Cord Connector	<p>This is the connector for the power cord.</p>
Power Switch	<p>This switch turns the power supply on and off. When both switches are off, the drive enclosure is off.</p>

Connectors and Switches on the 14-drive Enclosure

Figure 5-6 shows the connectors and switches on the rear of the 14-drive enclosure. Table 5-2 describes these items.

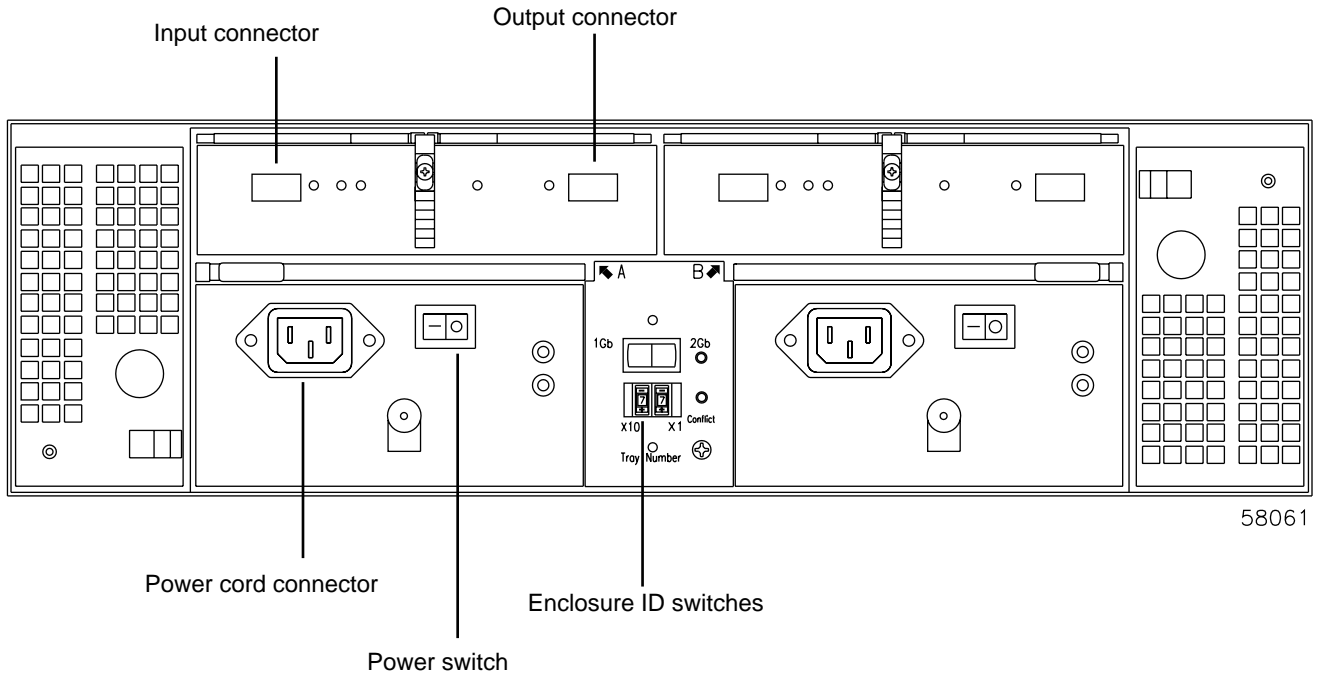


Figure 5-6 Connectors and Switches on the 14-drive Enclosure

Table 5-2 Connectors and Switches on the 14-drive Enclosure (Rear)

Item	Description
Input and output connectors	The connectors are slots that contain an optical SFP. Each canister has two slots, one In and one Out. The SFPs convert the Fibre Channel signals to electrical signals. All drives are accessible from either environmental status module.
Drive enclosure ID switches	These two switches are used to set the enclosure ID number during installation. One switch is the ten's place and the other is the one's place. Each drive enclosure cabled to a controller pair has a unique ID.
Power cord connector	This is the connector for the power cord.
Power switch	This switch turns the power supply on and off. When both switches are off, the drive enclosure is off.

Drive Enclosure Components

The drive enclosure contains several owner-removable and owner-replaceable components called “canisters.” The following sections describe each of these components as follows:

- “Drive Module” on page 76
- “Fan Canister” on page 77
- “Power Supply Canister” on page 78
- “Environmental Status Module” on page 80
- “SFP Transceivers” on page 81

Drive Module

All disk drives are housed in portable drive modules (see Figure 5-7) that plug directly into one of the drive slots in the front of the drive enclosure. Each canister has a lever containing an air vent for circulating air to the drives. Each drive has two status indicator lights, located on the front bezel above the drive.

The drives are numbered from left to right, as shown in Figure 5-7 and Figure 5-8.

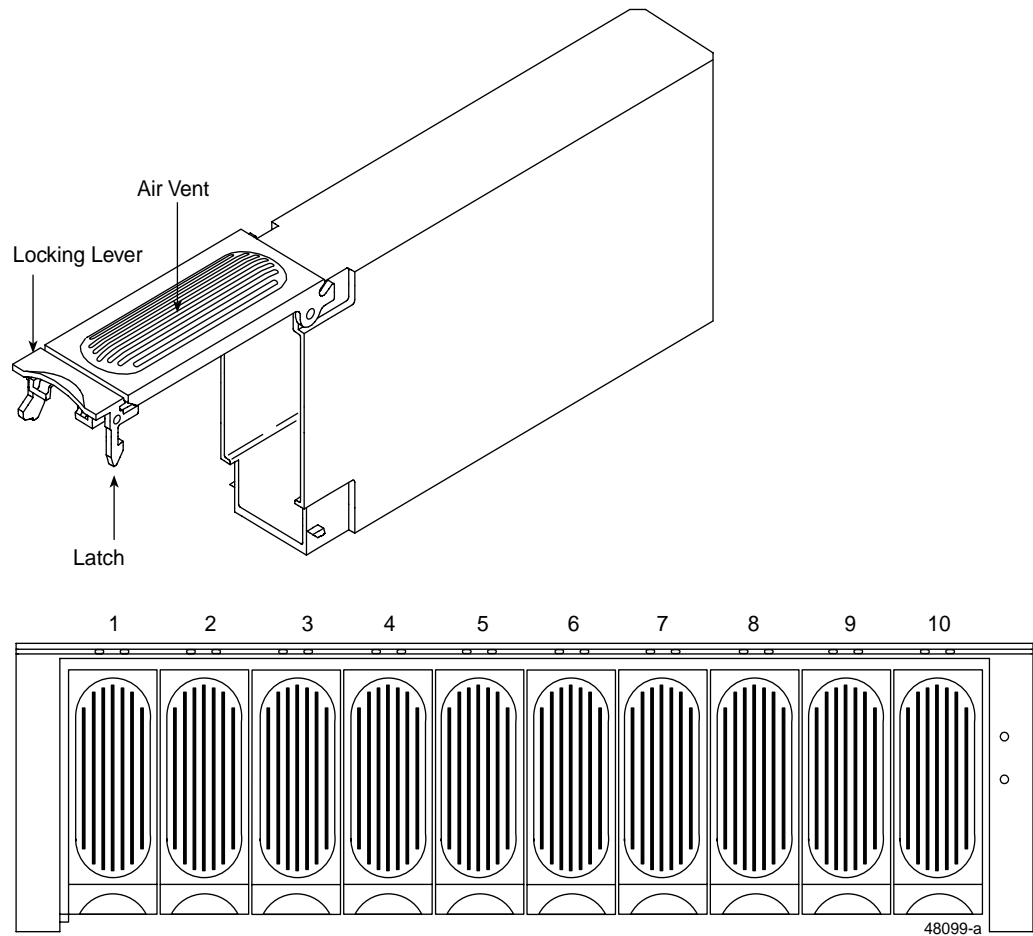
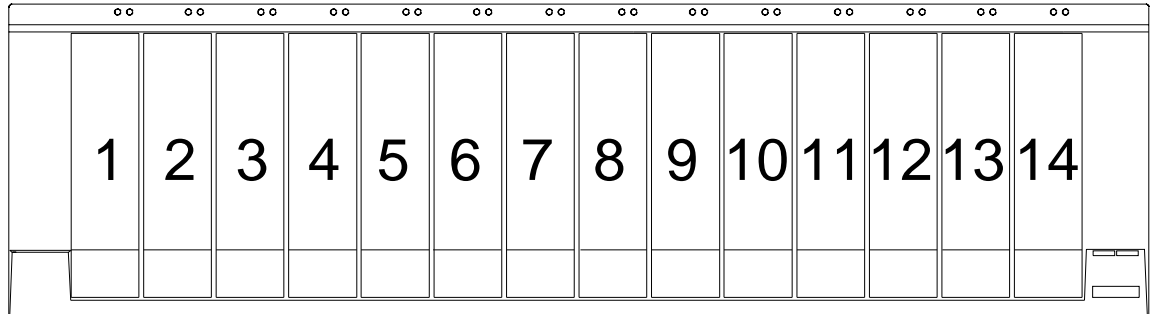


Figure 5-7 Drive Module Numbering on the 10-Drive Enclosure



58012

Figure 5-8 Drive Module Numbering on the 14-Drive Enclosure

Fan Canister

The drive enclosure's cooling system consists of two fan canisters, each containing two fans. The fan canisters circulate air inside the drive enclosure by pulling air in through the vents on the front of the drive sleds and pushing the air out the vents in the rear of each fan canister (see Figure 5-9). The two fan canisters provide redundant cooling. If one fan canister fails, the second fan canister continues to provide sufficient cooling to operate the drive enclosure.

To prevent cooling problems, the drive enclosure must have proper air circulation throughout the enclosure. Cooling problems include any malfunctions or obstructions that impede air flow and cause one or more components in the drive enclosure to overheat. Also, make sure that the ambient air temperature around the controller enclosure is within the environmental requirements. To boost air circulation, the drive enclosure has air vents at the front and rear (see Figure 5-9) that serve as air intake and exhaust passages. Always keep vents clean and free of obstructions.

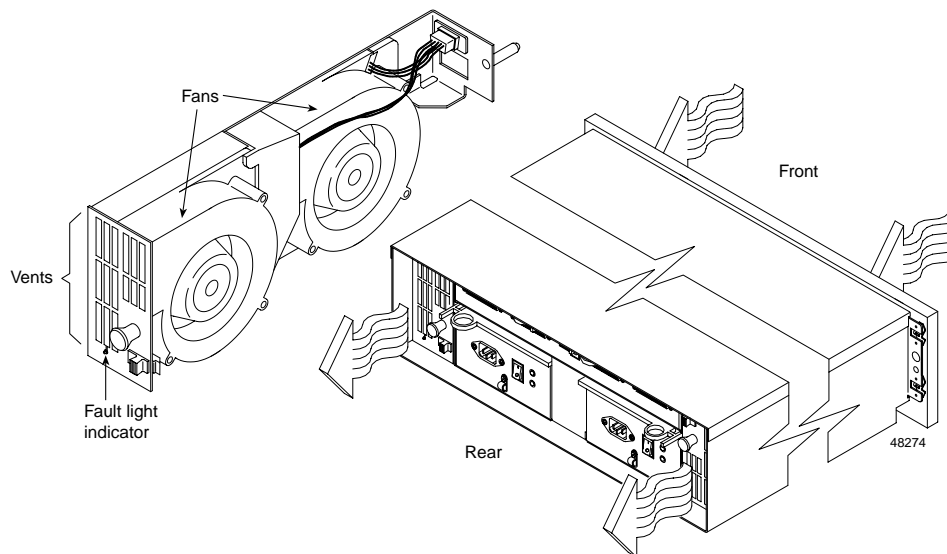


Figure 5-9 Fan Canister and Drive Enclosure Air Flow



Warning: To avoid damage to the internal components and circuitry, do not run the drive enclosure without adequate ventilation and cooling. In the unlikely event that more than one fan fails at the same time, shut down the drive enclosure immediately.

If both fan canisters fail or cannot maintain the internal temperature below 70°C (158°F), the drive enclosure will automatically shut down. If this occurs, you must cool the drive enclosure and restart it. See “Troubleshooting an Overtemp Condition” on page 85 for more information.

Power Supply Canister

The drive enclosure’s power system consists of two power supply canisters (see Figure 5-10). The power supply canisters provide power to the internal components by converting incoming AC voltage to DC voltage. One power supply canister can maintain electrical power to the drive enclosure if the other power supply is turned off or malfunctions. The power supply canisters are interchangeable by reversing the locking levers (see Figure 5-11).

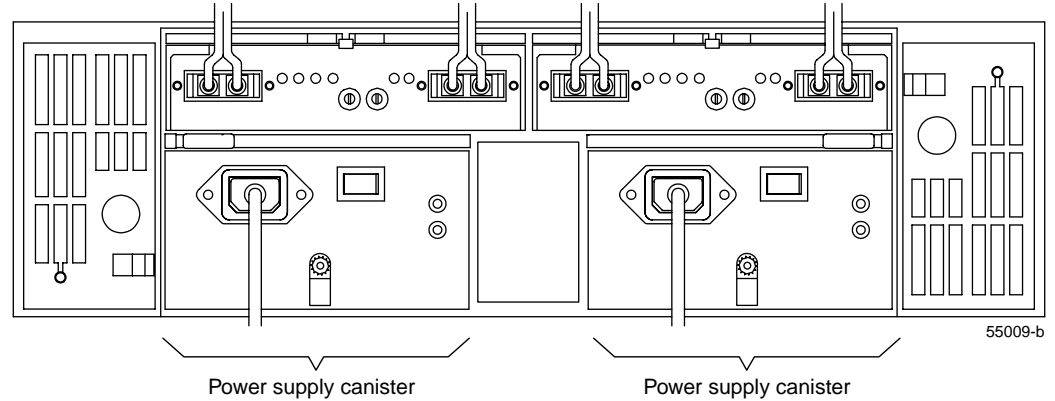


Figure 5-10 Power Supply Canisters in a Drive Enclosure

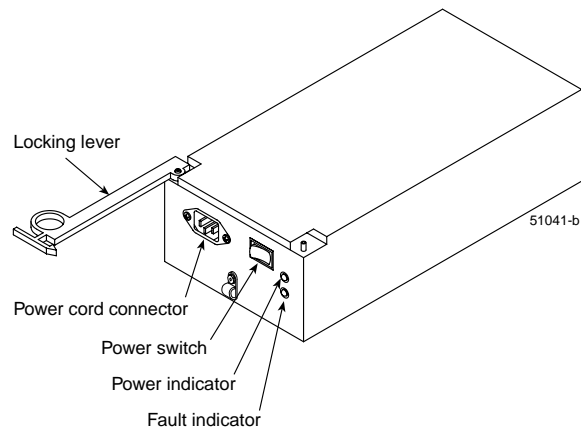


Figure 5-11 Power Supply Canister

Each of the power supply canisters has a built-in sensor that detects the following conditions:

- Over-voltage
- Over-current
- Overheated power supply

If any of these conditions occurs, one or both power supplies will shut down. All power remains off until you cycle the power switches. (To do so, turn the power switches off,

wait at least 30 seconds, and then turn the power switches on). See “Troubleshooting an Overtemp Condition” on page 85 for more information on recovering from an overtemp condition.

Because the two power supplies provide redundancy, you can hot-swap a failed power supply, replacing it while the drive enclosure is in operation.

Environmental Status Module

Each environmental status module contains an ESM (environmental services monitor) board and two slots for SFPs. The ESM board is the interface between the controller enclosure and the drive enclosure, and it monitors drive enclosure status. The canisters fit into the rear of the drive enclosures, as shown in Figure 5-12 and Figure 5-13.

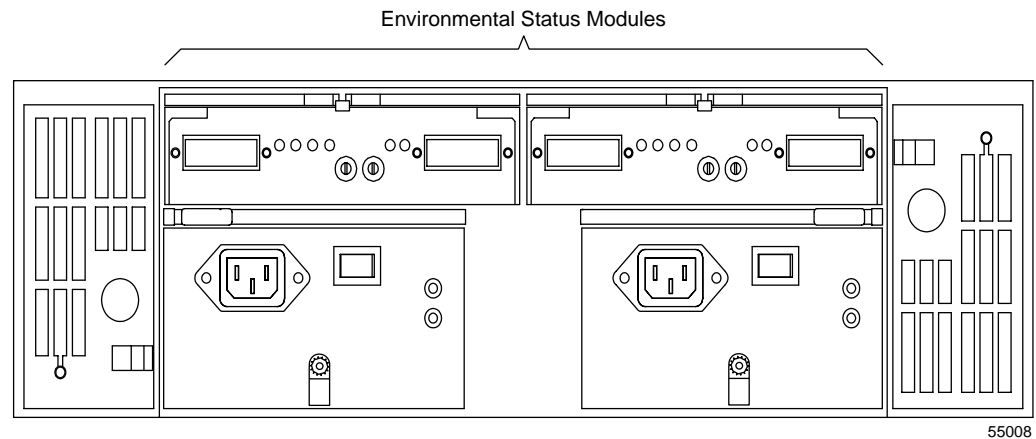


Figure 5-12 Environmental Status Modules in the 10-drive Enclosure

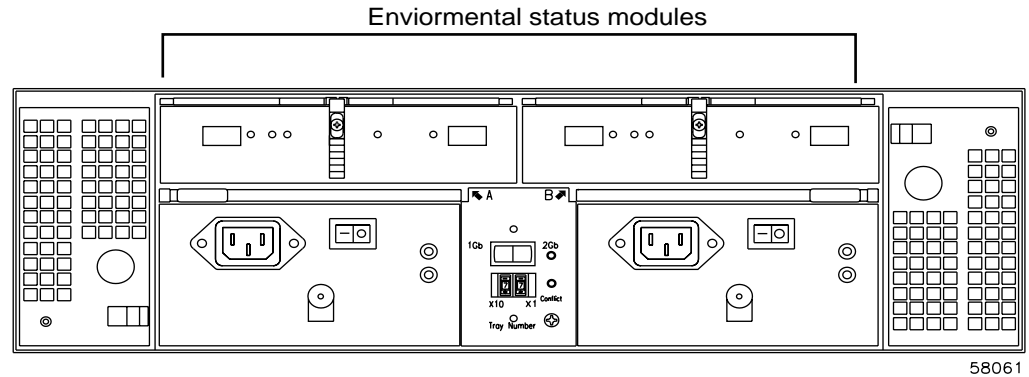


Figure 5-13 Environmental Status Modules in the 14-drive Enclosure

See “Checking the Indicator Lights” on page 89 for descriptions of the environmental status module indicators.

SFP Transceivers

An SFP (small form-factor pluggable) transceiver fits into the environmental status module located at the rear of the drive enclosure (see Figure 5-14). Each environmental status module has up to two optical SFP transceivers which are replaceable. You can hot-swap a failed SFP transceiver, replacing it while the drive enclosure is in operation.

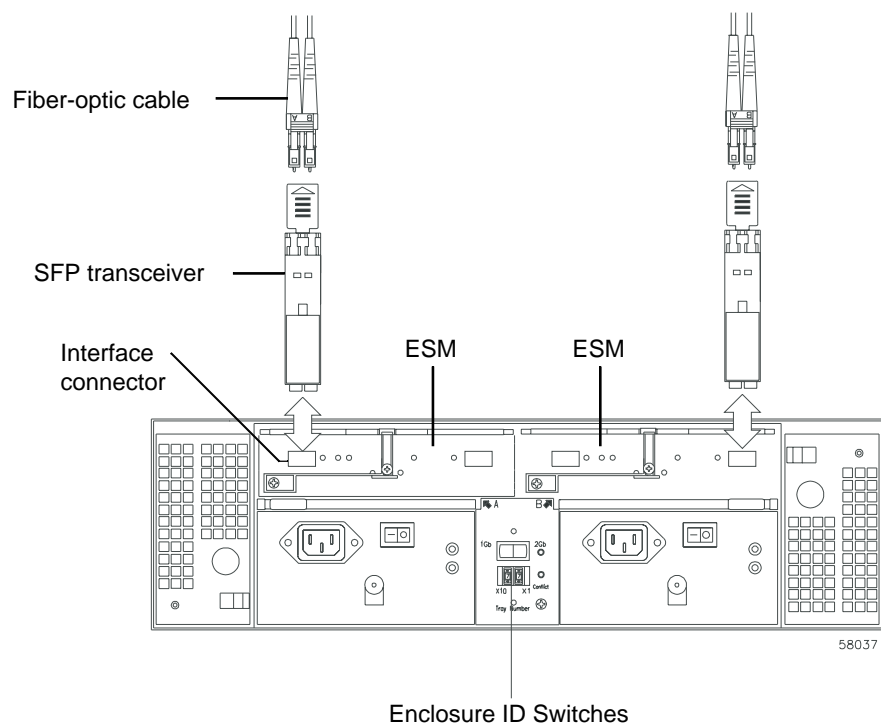


Figure 5-14 Fibre Channel Cables and SFPs

If you replace the SFP transceiver and still experience problems, the drive enclosure may have defective components or connections. Check the storage management software (TPSSM) for indications of other component failures.

Operation of Drive Enclosures

This chapter describes the operation of the drive enclosure in the following sections:

- “Turning the Power On” on page 83
- “Turning the Power On after an Unexpected Shutdown” on page 84
- “Turning the Power Off” on page 87
- “Monitoring Status with Software” on page 88
- “Checking the Indicator Lights” on page 89
- “Moving the Drive Enclosure” on page 96

Note: All of the procedures in this chapter apply to both the 10-drive and 14-drive enclosures.

Turning the Power On

If the drive enclosure was turned off due to an unexpected shutdown or a power failure, follow the instructions in “Turning the Power On after an Unexpected Shutdown” on page 84.



Danger: Severe electrical shock can occur. Never turn on the power to any equipment when there is evidence of fire, water, or structural damage. If there is evidence of damage, call the factory or appropriate service organization for assistance. Depending on the current service agreements, you may need to send the unit back to the factory for repair/replacement.

To turn on the drive enclosure after a normal shutdown (as described in “Turning the Power Off” on page 87), turn on both power switches on the rear of the drive enclosure

(see Figure 6-1) or the main circuit breaker, whichever is applicable. You must turn on both power supply canister switches to take advantage of the redundant power supplies.

Note: Always wait at least 30 seconds between the time you turn a power switch off and the time you turn it back on again.

To speed drive spin-up, it is recommended that you start the drive enclosures before or at the same time as the controller enclosure.

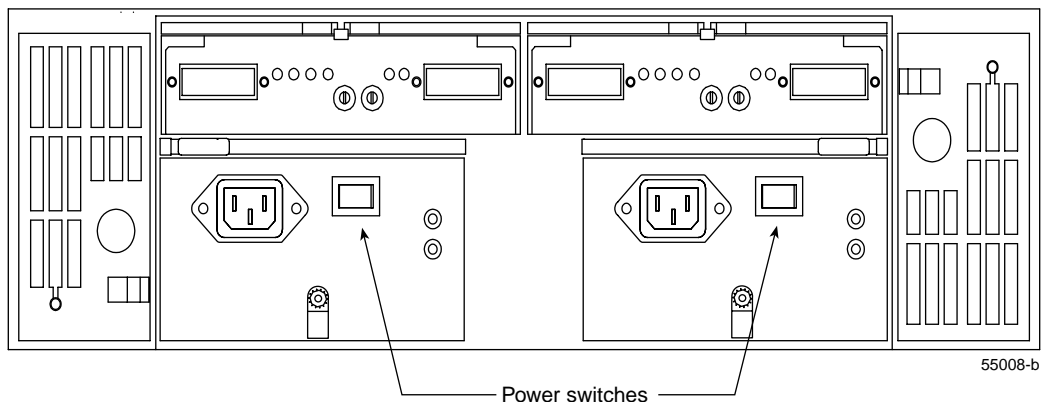


Figure 6-1 Turning the Power On and Off

Note: The activity and fault indicators above the drive sleds may flash intermittently as the drives spin-up. Wait until the drive enclosure has finished powering up before checking the indicator lights on the front of the drive enclosure. All indicators should be green. If they are not, use the storage management software (TPSSM) to diagnose the problem.

Turning the Power On after an Unexpected Shutdown

The drive enclosure (and the entire storage array) may shut down unexpectedly under the following conditions:

- The internal temperature of the drive enclosure exceeds the maximum operating temperature (an overtemp condition). See the following “Troubleshooting an Overtemp Condition” section for more information on overtemp conditions.
- There is a general power failure or a loss of power to the storage array.
- You are forced to shut down the storage array without performing the normal shutdown procedures (in “Turning the Power Off” on page 87) due to an emergency situation.

Note that in each of these cases, some data may be lost.



Warning: To avoid damage to the hardware, take special care when restarting the drive enclosure after an unexpected shutdown.

If the drive enclosure shuts down unexpectedly, but there is still power to the site, use the storage management software (TPSSM) to determine if the drive enclosure has overheated.

- If an overtemp condition is indicated, follow the steps in “Turning the Power On After an Overtemp Shutdown” on page 86 to restart the drive enclosure.
- If the drive enclosure has shut down because of a power failure or an emergency shutdown, follow the steps in “Turning the Power On after an Emergency Shutdown” on page 86 to restart the drive enclosure.

Troubleshooting an Overtemp Condition

If both fan canisters fail or are unable to maintain an internal temperature below 70 °C (158 °F), one or both of the power supplies in the drive enclosure will shut down. If both power supplies shut down, the drive enclosure is inoperable.

The storage management software (TPSSM) will warn you if the temperature of the drive enclosure is rising (before it has risen sufficiently to shut down the power supplies). The first warning comes when the enclosure temperature exceeds 40 °C (104 °F). The enclosure shuts down if the temperature rises above 70 °C (158 °F).

The overtemp indicator on the environmental status module comes on if the temperature reaches 40 °C (104 °F). If both power supplies shut down, the overtemp indicator cannot

come on. See Figure 6-4 and Figure 6-5 for the locations of the overtemp indicators on the 10- and 14-drive enclosures.

Turning the Power On After an Overtemp Shutdown

To restart the drive enclosure after a unexpected shutdown due to an overtemp condition, follow these steps:

1. Turn off both power switches (see Figure 6-1).
2. Do whatever is necessary to cool the drive enclosure (replace the fans, use external fans to cool the room, and so on).



Danger: Severe electrical shock can occur. Never turn on the power to any equipment when there is evidence of fire, water, or structural damage. If there is evidence of damage, call the factory or appropriate service organization for assistance. Depending on the current service agreements, you may need to send the unit back to the factory for repair/replacement.

3. Check all components and cables for visible damage. Do not start the drive enclosure if you find evidence of damage.

Note: To speed drive spin-up, it is recommended that you start the drive enclosures before or at the same time as the controller enclosure.

4. Once the internal temperature is below 40 °C (104 °F), turn on the power switches and wait for the drive enclosure to power on.
5. Use the storage management software (TPSSM) and the drive fault indicators (see “Checking the Indicator Lights” on page 89) to check the overall status of the drive enclosure and its components. Repair any faults found.

Turning the Power On after an Emergency Shutdown

To restart the drive enclosure after a power failure or emergency shutdown, follow these steps:

1. After the emergency situation is over or power is restored to the site, turn off all power switches (see Figure 6-1).



Danger: Severe electrical shock can occur. Never turn on the power to any equipment when there is evidence of fire, water, or structural damage. If there is evidence of damage, call the factory or appropriate service organization for assistance. Depending on the current service agreements, you may need to send the unit back to the factory for repair/replacement.

2. Check all components and cables for visible damage. Do not start the drive enclosure if you find evidence of damage.

Note: To speed drive spin-up, it is recommended that you start the drive enclosures before or at the same time as the controller enclosure.

3. Turn on the power to the drive enclosure and the controller enclosure (see Figure 6-1).
4. Use the storage management software (TPSSM) and the drive fault indicators (see “Checking the Indicator Lights” on page 89) to check the overall status of the drive enclosure and its components. Repair any faults found.

Turning the Power Off

The drive enclosure is designed to run continuously, 24 hours a day. However, you may need to turn the power off for maintenance, such as upgrading the drives or replacing canisters. To turn the power off, follow these steps:

1. Use the storage management software (TPSSM) to determine the status of your system components and any special instructions before proceeding. The operating system software may require you to perform other procedures before turning off the power.
2. Stop all I/O activity to the drive enclosure.

If applicable, use the storage management software (TPSSM) to logically disconnect the drive enclosure from the host. Make sure that all the drive activity indicators on the front of the drive enclosure are not blinking (indicating I/O activity) and that the fast write cache indicator light on the applicable controller enclosure is off (not blinking).

3. Make sure that all the drive enclosure fault indicators are off (see Figure 6-2 and Figure 6-3).

If a fault indicator is on, correct the problem before turning off the power. Use the storage management software (TPSSM) to diagnose and fix the problem.



Warning: To shut off all power to the drive enclosure, you must turn off both power switches and disconnect both power cords. The drive enclosure has two power switches and two power cords. The brick will continue to operate if both switches are not turned off and both cords are not disconnected.

4. Turn off both power switches on the rear of the drive enclosure or the main circuit breaker, whichever is applicable (see Figure 6-1).

Important: Once the power is off, you must wait at least 30 seconds before you turn it back on again.

5. After you have performed the necessary maintenance procedure, turn on the power again using the procedure in “Turning the Power On” on page 83.

Monitoring Status with Software

Use the storage management software (TPSSM) to monitor drive enclosure status. You should run the software constantly and check it frequently.

The storage management software (TPSSM) provides the best method to diagnose and repair drive enclosure failures. This software helps you to do the following:

- Determine the nature of the failure.
- Locate the failed component.
- Provide recovery procedures to repair the failure.

Although the drive enclosure has fault indicators, these lights do not necessarily indicate which component has failed or needs to be replaced, or which type of recovery procedure you must perform. In some cases (such as loss of redundancy in various drive enclosure components), the fault light does not even come on. Only the storage management software (TPSSM) can detect the failure.

For example, the recovery procedure for an impending drive failure (a predictive failure analysis, or PFA, flag on a drive) varies depending on the drive status (hot spare, unassigned, RAID level, current volume status, and so on). Depending on the circumstances, a PFA flag on a drive can indicate a high risk of data loss (if the drive is in a RAID 0 volume) or a minimal risk (if the drive is unassigned). Only the storage management software (TPSSM) can identify the risk level and provide the necessary recovery procedures. Note also that in the case of PFA flags, the global fault and drive fault indicators do *not* come on, so just checking the indicators will not notify you of the failure, even if the risk of data loss is high.

In addition, recovering from a drive enclosure failure may require you to perform procedures other than replacing the component (such as backing up the volume or failing a drive before removing it). The storage management software (TPSSM) provides these procedures.



Caution: If the software recovery procedures are not followed, data loss can result.

Note: For more information on the storage management software (TPSSM), see the *SGI TP9400 and SGI TP9500 RAID Administration Guide* (007-4306-00x), the *SGI TP9400 and SGI TP9500 Software Concepts Guide* (007-4305-00x), and the *SGI Storage Area Network Installation Instructions* (108-0252-00x).

Checking the Indicator Lights

The drive enclosure's indicator lights display the status of the drive enclosure and its components. Green indicators mean a normal operating status; amber indicators mean a possible failure.

It is important that you check all the indicators on the front and rear of the drive enclosure when you turn on the power. Besides checking for faults, you can use the indicators on the front of the drive enclosure to determine if the drives are responding to I/O transmissions from the host.

Important: Except as described in the notes following Figure 6-2 and Figure 6-4, an amber light indicates a drive enclosure component failure. If you see an amber indicator, run the storage management software (TPSSM) to diagnose and repair the problem.

To check the 10-drive enclosure indicators and operating status, follow the guidelines in Table 6-1 on page 91 (front indicators) and Table 6-3 on page 94 (rear indicators). If any indicators show anything other than a “normal” status, run the storage management software (TPSSM) to diagnose and repair the problem.

To check the 14-drive enclosure indicators and operating status, follow the guidelines in Table 6-2 on page 92 (front indicators) and Table 6-4 on page 95 (rear indicators). If any indicators show anything other than a “normal” status, run the storage management software (TPSSM) to diagnose and repair the problem.

Front Indicator Lights

This section describes the front indicator lights for the 10-drive enclosure and the 14-drive enclosure.

Front Indicator Lights on the 10-drive Enclosure

Figure 6-2 shows the front indicators for the 10-drive enclosure.

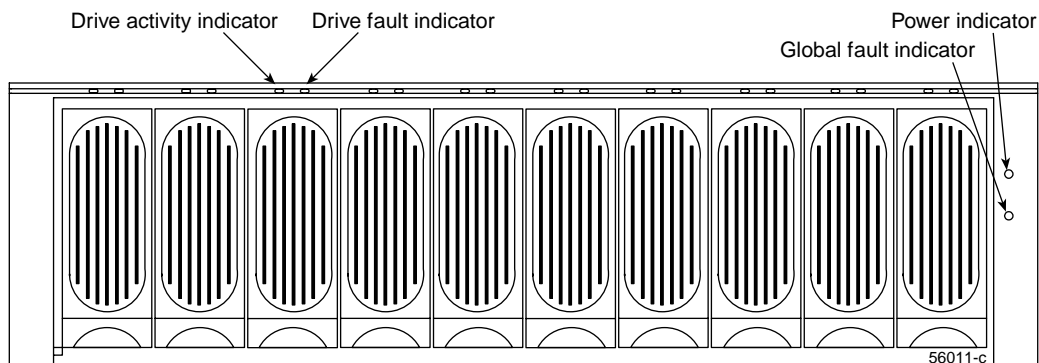


Figure 6-2 Front Indicator Lights on the 10-Drive Enclosure

Note: The normal operating state of all indicators on the front panel is green. If an amber indicator is on, or a green indicator is off, use the storage management software (TPSSM) to determine the nature of the fault and the recovery procedure.

Exception: If the drive Fault indicators are blinking, it means that the storage management software (TPSSM) is locating a drive enclosure component. It does not indicate a failure.

Table 6-1 describes the front indicator lights on the 10-drive enclosure.

Table 6-1 Front Indicator Lights on the 10-drive Enclosure

Indicator Light	Color	Normal Operation	Problem Indicator	Condition Indicated ^a
Drive activity indicator	Green	On, steady On, blinking ^b	Off	No power to drive enclosure; no power to storage array; drive not properly seated in drive enclosure; drive not spun up.
Drive fault indicator	Amber	Off On, blinking ^c	On, steady	Drive failure; drive failed by user.
Power indicator	Green	On	Off	No power to drive enclosure; no power to storage array; power supply failure; overtemp condition.
Global fault indicator ^d	Amber	Off	On	Drive enclosure component failure.

a. Always use the storage management software (TPSSM) to precisely identify a failure.

b. The drive activity indicator blinks if data is being processed on the drives; otherwise, the indicator is on, steady.

c. The drive fault indicator blinks when the storage management software (TPSSM) is locating a drive, volume, or storage array. Otherwise, it is off.

d. Not all drive enclosure component failures will turn this light on. See “Monitoring Status with Software” on page 88 for more information.

Front Indicator Lights on the 14-drive Enclosure

Figure 6-3 shows the front indicators on the 14-drive enclosure.

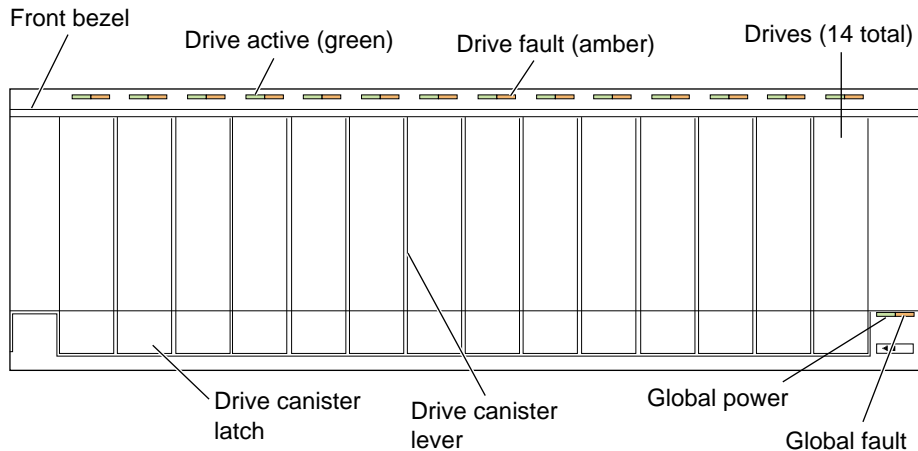


Figure 6-3 Front Indicator Lights on the 14-Drive Enclosure

Table 6-2 describes the front indicators on the 14-drive enclosure.

Table 6-2 Front Indicator Lights on the 14-drive Enclosure

Indicator Light	Color	Normal Operation	Problem Indicator	Condition Indicated ^a
Drive activity indicator	Green	On, steady On, blinking ^b	Off	No power to drive enclosure; no power to storage array; drive not properly seated in drive enclosure; drive not spun up.
Drive fault indicator	Amber	Off On, blinking ^c	On, steady	Drive failure; drive failed by user.
Power indicator	Green	On	Off	No power to drive enclosure; no power to storage array; power supply failure; overtemp condition.
Global fault indicator ^d	Amber	Off	On	Failure of drive enclosure component.

a. Always use the storage management software (TPSSM) to precisely identify a failure.

b. The drive activity indicator blinks if data is being processed on the drives; otherwise, the indicator is on, steady.

c. The drive fault indicator blinks when the storage management software (TPSSM) is locating a drive, volume, or storage array. Otherwise, it is off.

d. Not all drive enclosure component failures will turn this light on. See “Monitoring Status with Software” on page 88 for more information.

Rear Indicator Lights

This section describes the rear indicator lights for the 10-drive and the 14-drive enclosures.

Rear Indicator Lights on the 10-drive Enclosure

Figure 6-4 shows the rear indicators on the 10-drive enclosure.

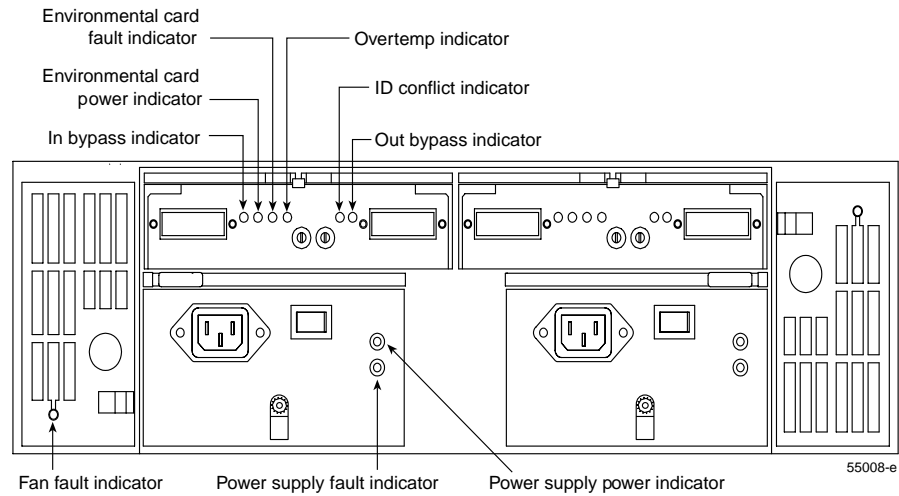


Figure 6-4 Rear Indicator Lights on the 10-Drive Enclosure

Table 6-3 describes the rear indicators on the 10-drive enclosure.

Note: The normal operating state of all indicators on the rear panel is green. If an amber indicator is on, or a green indicator is off, use the storage management software (TPSSM) to determine the nature of the fault and the recovery procedure.

Table 6-3 Rear Indicator Lights on the 10-drive Enclosure

Component	Indicator Light	Color	Normal Operation	Problem Indicator	Condition Indicated ^a
Environmental status module	Environmental card fault indicator	Amber	Off	On, steady	Failure of environmental card canister.
	Environmental card power indicator	Green	On, steady	Off	No power to drive enclosure; no power to storage array; overtemp condition; power supply failure.
	In, out bypass indicators	Amber	Off On, steady ^b	On, steady ^c	SFP failure; cable failure; controller enclosure minihub failure.
	Overtemp indicator ^d	Amber	Off	On, steady	Overtemp condition; fan failure.
	ID conflict indicator	Amber	Off	On, steady	Enclosure number is set incorrectly; enclosure number is in use by another subsystem on the loop.
Fan canister	Fan fault indicator	Amber	Off	On, steady	Fan canister failure; overtemp condition.
Power supply canister	Power supply fault indicator	Amber	Off	On, steady	Power supply failure; overtemp condition.
	Power supply power indicator	Green	On, steady	Off	Power supply off; power supply disconnected; power supply is seated incorrectly; no power to drive enclosure; no power to storage array.

a. Always use the storage management software (TPSSM) to precisely identify a failure.

b. If nothing is connected to the corresponding connector, this fault light is on. If a cable is connected and it is functioning properly, this light is off.

c. This indicates a problem only if an SFP is plugged into the corresponding connector (see footnote a). Also, more than one bypass indicator will be on if the connection fails. Usually, if an SFP fails, its bypass indicator will come on, as will the bypass indicator of the module to which it is connected.

d. The overtemp indicator comes on if the internal drive enclosure temperature reaches 40 °C (104 °F). See “Troubleshooting an Overtemp Condition” on page 85 for more information.

Rear Indicator Lights on the 14-drive Enclosure

Figure 6-5 shows the rear indicators on the 14-drive enclosure.

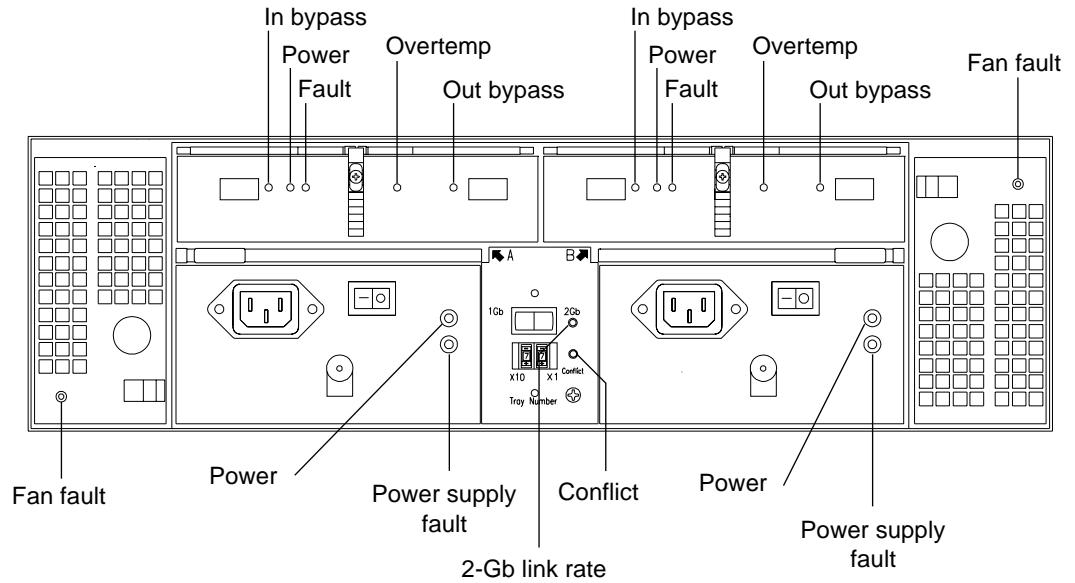


Figure 6-5 Rear Indicator Lights on the 14-Drive Enclosure

Table 6-4 describes the rear indicators on the 14-drive enclosure.

Note: The normal operating state of all indicators on the rear panel is green. If an amber indicator is on, or a green indicator is off, use the storage management software (TPSSM) to determine the nature of the fault and the recovery procedure.

Table 6-4 Rear Indicator Lights on the 14-drive Enclosure

Component	Indicator Light	Color	Normal Operation	Problem Indicator	Condition Indicated ^a
Environmental status module	Environmental card fault indicator	Amber	Off	On, steady	Failure of environmental card canister.
	Environmental card power indicator	Green	On, steady	Off	No power to drive enclosure; no power to storage array; overtemp condition; power supply failure.
	In and out bypass indicators	Amber	Off On, steady ^b	On, steady ^c	SFP failure; cable failure; controller enclosure minihub failure.
	Overtemp indicator ^d	Amber	Off	On, steady	Overtemp condition; fan failure.

Table 6-4 Rear Indicator Lights on the 14-drive Enclosure **(continued)**

Component	Indicator Light	Color	Normal Operation	Problem Indicator	Condition Indicated ^a
Fan canister	Fan fault indicator	Amber	Off	On, steady	Fan canister failure; overtemp condition.
Power Supply Canister	Power supply fault indicator	Amber	Off	On, steady	Power supply failure; overtemp condition.
	Power supply power indicator	Green	On, steady	Off	Power supply off; power supply disconnected; power supply is seated incorrectly; no power to drive enclosure; no power to storage array.
Enclosure ID Switches	ID conflict indicator	Amber	Off	On, steady	Enclosure number is set incorrectly; enclosure number is in use by another subsystem on the loop.
	Link rate indicator	Green	On or off	None	When lit, data transfer rate is set to 2 Gb. When off, data transfer rate is 1 Gb.

- a. Always use the storage management software (TPSSM) to precisely identify a failure.
- b. If nothing is connected to the corresponding connector, this fault light is on. If a cable is connected and it is functioning properly, this light is off.
- c. This indicates a problem only if a SFP is plugged into the corresponding connector (see footnote a). Also, more than one Bypass indicator will be on if the connection fails. Usually, if an SFP fails, its bypass indicator will come on, as will the bypass indicator of the SFP to which it is connected.
- d. The overtemp indicator comes on if the internal drive enclosure temperature reaches 40 °C (104 °F). See “Troubleshooting an Overtemp Condition on page 85 for more information.

Moving the Drive Enclosure

Before moving the drive enclosure to a new location or before removing the enclosure from its rack, it is highly recommended that you first remove all drive sleds from the enclosure. Doing so will help safeguard the equipment and help ensure a smoother transition to the new environment. Before removing the drive sleds, label each one so that they will be replaced in the correct order.

If you do not have sufficient assistance or equipment to safely move the equipment to its new location, see Chapter 7, “Replacement of Drive Enclosure Components” for instructions on depopulating the drive enclosure.

Note: If you are removing the drive enclosure so that you can connect it to another controller enclosure, you must delete all volumes and hot spares from the drives before removing the unit. If you are moving the drive enclosure a significant distance (to another building, city, etc.), it is recommended that you pack it in its original shipping container.

Removing the Drive Enclosure

To remove and reinstall the drive enclosure, follow these steps:

1. Remove the front bezel from the drive enclosure (see Figure 6-6).

The front bezel is held on by four snaps. Use a screwdriver to lever each end of the bezel off the rack, then remove the bezel.

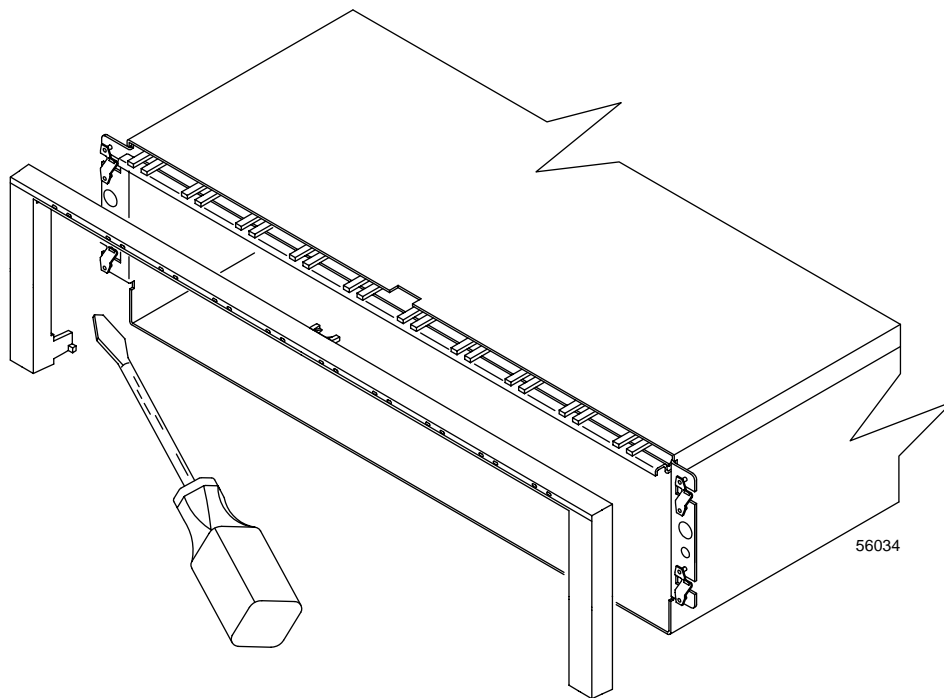


Figure 6-6 Removing the Front Bezel from the Drive Enclosure

2. It is highly recommended that you remove the canisters to make the enclosure lighter and easier to remove. For information, see Chapter 7, "Replacement of Drive Enclosure Components".
3. Remove the front and rear mounting screws (see Figure 6-7). There are two mounting screws at the rear, one for each support rail, and two mounting screws in the front, one in each flange.

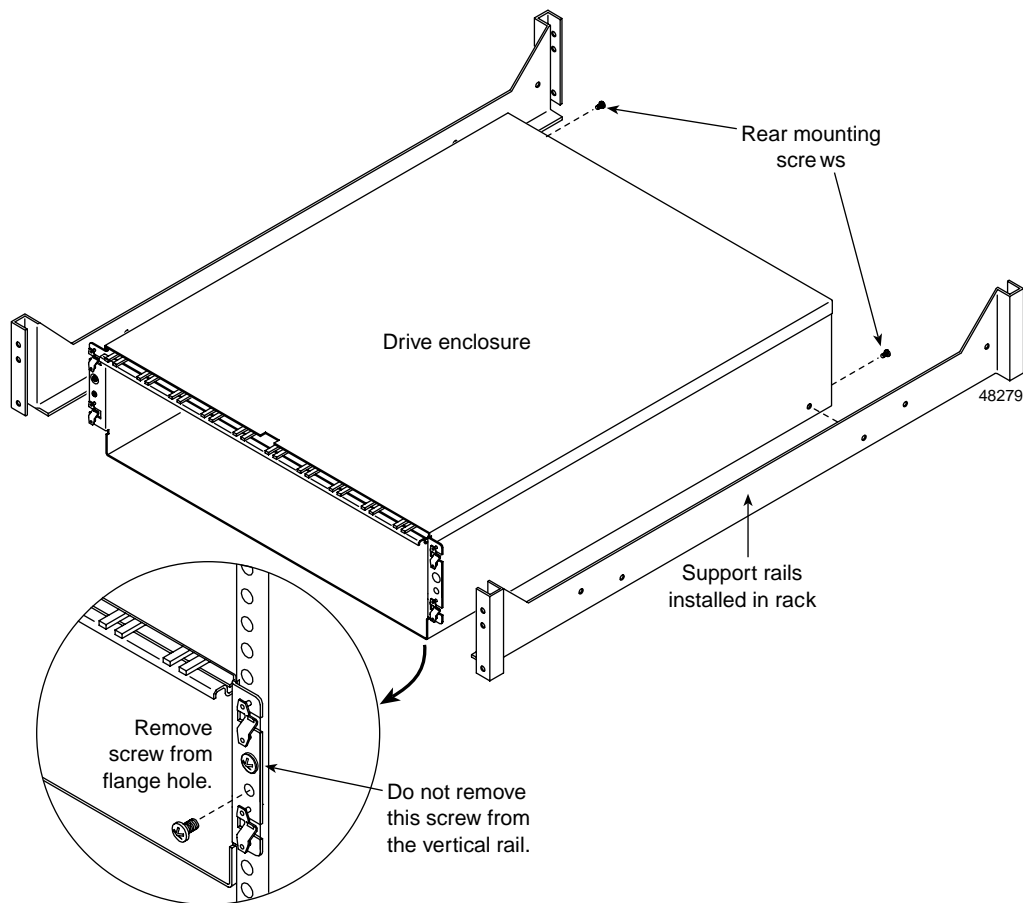


Figure 6-7 Removing the Empty Drive Enclosure

4. Slide the drive enclosure out of the front of the rack.
5. Repeat steps 1 through 4 for any other drive enclosures to be moved.

Reinstalling the Drive Enclosure

To reinstall the drive enclosure into a rack, follow these steps:

1. Install the support rails in the rack. See the procedure in the *SGI TP9500 RAID Installation and Upgrade Guide* (108-0375-00x).
2. From the front of the rack, slide the drive enclosure into the rack along the support rails (see Figure 6-7).
3. Fasten the rear and front mounting screws (see Figure 6-7).
4. Slide the top of the front bezel over the indicator lights and snap into place (see Figure 6-6).
5. Wearing antistatic protection, reinstall the components into the drive enclosure. For more information, see Chapter 7, "Replacement of Drive Enclosure Components".

Replacement of Drive Enclosure Components

This chapter describes the replacement of each component in the drive enclosure in the following sections:

- “Replacing a Failed Drive Module” on page 101
- “Replacing a Failed Fan Canister” on page 104
- “Replacing a Failed Power Supply Canister” on page 106
- “Replacing a Failed SFP Transceiver” on page 109
- “Replacing a Failed Environmental Status Module” on page 111
- “Upgrading Drives” on page 114
- “Adding Drive Enclosures” on page 117

Replacing a Failed Drive Module

When the storage management software (TPSSM) instructs you to replace a failed drive module, read the section titled “Drive Module” on page 76, and then follow these steps:



Warning: Electrostatic discharge can damage sensitive components. Use a grounded wrist strap or other antistatic precautions before handling drive enclosure components.

1. Check the storage management software (TPSSM) for instructions on drive failure recovery procedures. Follow any steps given by the software before proceeding.



Caution: Removing the wrong drive can cause data loss. Ensure that you remove only the failed drive. The drive fault indicator will be illuminated amber above the failed drive module.

Removing a drive module while its green activity indicator is blinking can cause data

loss and may cause the host controller to mark the drive as failed. If you remove an active drive accidentally, wait at least 30 seconds and then reinstall it. See the storage management software (TPSSM) for further recovery instructions.

2. Locate the failed drive module (its fault light should be on).
3. Wearing antistatic protection, lift (open) the lever of the failed drive module.
4. Pull out the drive module (see Figure 7-1).

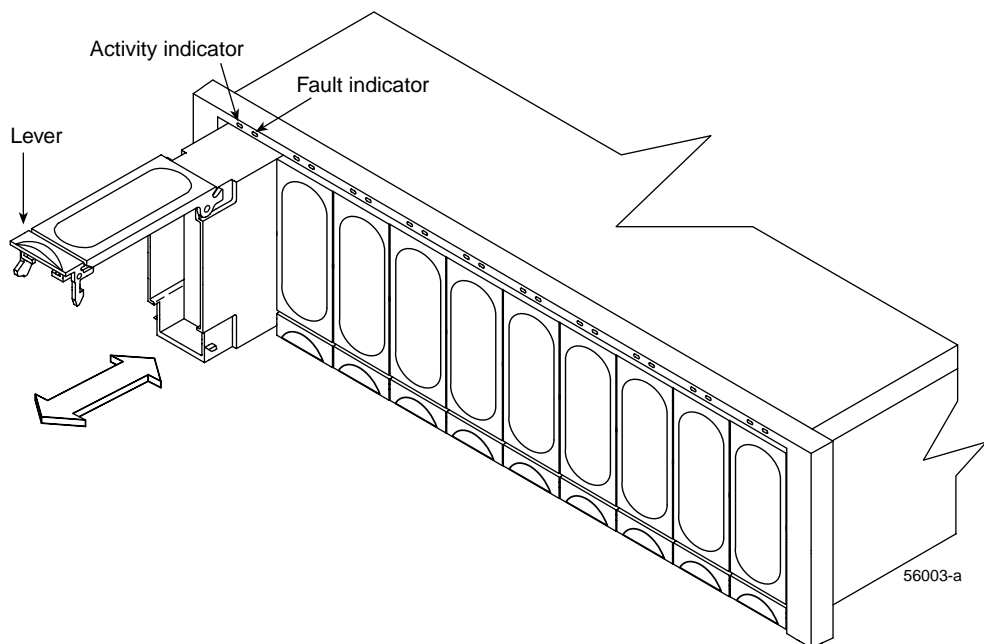


Figure 7-1 Removing and Installing a Drive Module

5. Wait at least 30 seconds for the drive to spin down. Then remove the failed drive module from the enclosure.
6. Unpack the new drive module. Save all packing materials in case you need to return the module.

7. Review all documentation shipped with the new drive module for updated replacement procedures and other information. If necessary, modify the remaining steps to meet the system requirements. Kits often contain the most current servicing information. If the kit instructions conflict with those in this procedure, use the kit instructions.
8. Wearing antistatic protection, slide the new drive module fully into the slot.



Caution: Partial insertion of a drive may cause the controller to mark other drives on the same bus as failed. Install a drive in one complete motion. Make sure that you insert it all the way into the slot and lock it into place.

9. Lower (close) the lever. Wait for the new drive to spin up.
10. Check the drive activity and fault indicators above the new drive module.
The activity indicator should be on (either blinking or steady) and the fault indicator should be off.

Note: The fault indicator may flash intermittently while the drive spins up. The activity indicator will blink if data is currently being written to the new drive module.

- If the activity indicator is off, the drive module could be installed incorrectly. Remove the drive module, wait 30 seconds, and then reinstall it.
 - If the fault indicator stays on, or the Activity indicator stays off, the new drive may be bad. Check the storage management software (TPSSM) to determine the problem.
11. Refer to applicable software procedures (the storage management software (TPSSM) or other system software) for instructions on bringing the drive module back online.

Important: Depending on your storage array configuration, the storage array may automatically reconstruct data to the new drive module. If the array uses hot spares, it may have to complete reconstruction on the hot spare before it copies the data to the replaced drive. This increases the time required to complete this procedure. Use the storage management software (TPSSM) to determine the current status of the new drive and the progress of any reconstruction or copyback.

Replacing a Failed Fan Canister

When the storage management software (TPSSM) instructs you to replace a failed fan canister, read the section titled “Fan Canister” on page 77, then follow these steps:



Caution: Electrostatic discharge can damage sensitive components. Use a grounded wrist strap or other antistatic precautions before handling drive enclosure components.

1. Check the storage management software (TPSSM) for instructions on fan canister failure recovery procedures. Follow any steps given by the software before proceeding.
2. Unpack the new fan canister. Set the new fan canister on a dry, level surface near the drive enclosure. Save all packing materials in case you need to return the canister.
3. Review all documentation shipped with the new fan canister for updated replacement procedures and other information. If necessary, modify the remaining steps to meet the system requirements. Kits often contain the most current servicing information. If the kit instructions conflict with those in this procedure, use the kit instructions.
4. If the storage management software (TPSSM) instructs you to do so, turn off the power to the drive enclosure. Otherwise, leave the power on.



Caution: To prevent the drive enclosure from overheating while in use, complete the fan canister replacement procedure within 15 minutes from the time you remove the failed fan canister to the time you install the new fan canister. Both fan canisters must be installed in the drive enclosure to provide sufficient air circulation within the enclosure.

5. Locate the failed fan canister (its fault light should be on).
6. Wearing antistatic protection, slide the latch to unlock the canister (see Figure 7-2). The latch is at the bottom of the left-side fan canister, and at the top of the right-side fan canister.

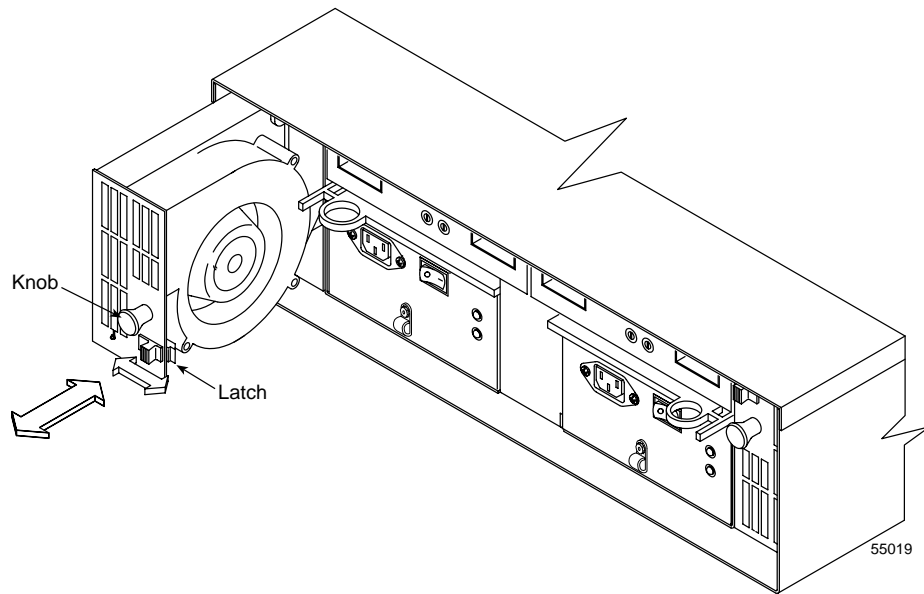


Figure 7-2 Removing and Installing a Fan Canister

7. Pull the knob to remove the canister.
8. Determine the correct orientation for the new fan canister. If replacing the canister on the left, orient the unit so the latch is at the bottom. If replacing the right-side canister, orient the unit so the latch is at the top.
9. Slide the new canister into the slot.
10. Push firmly until the latch snaps into place.
11. If you turned the power off, turn it back on.
12. Check the fault indicators shown in Figure 7-3.

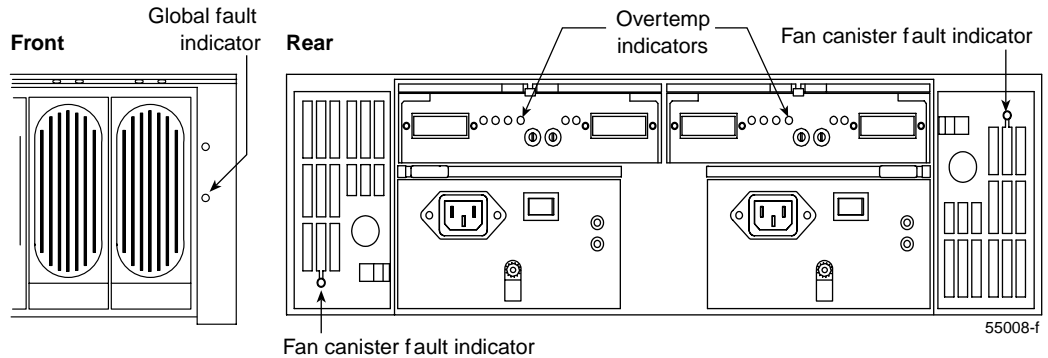


Figure 7-3 Fault Lights for Fan Canister Replacement

- If the fan fault indicator is on or the fans are not spinning, the canister might be installed incorrectly. Remove the fan canister and reinstall it.
- If any of the other fault indicators shown in Figure 7-3 are on, check the storage management software (TPSSM) to determine the problem.

Replacing a Failed Power Supply Canister

When instructed by the storage management software (TPSSM) to replace a failed power supply canister, rear the section titled “Power Supply Canister” on page 78, and then follow these steps:



Warning: Electrostatic discharge can damage sensitive components. Use a grounded wrist strap or other antistatic precautions before handling drive enclosure components.

1. Check the storage management software (TPSSM) for instructions on power supply failure recovery procedures. Follow any steps given by the software procedure before you proceed.
2. Unpack the new power supply canister. Set the new power supply canister on a dry, level surface near the drive enclosure. Save all packing materials in case you need to return the canister.

3. Review all documentation shipped with the new power supply canister for updated replacement procedures and other information. If necessary, modify the remaining steps to meet the system requirements. Kits often contain the most current servicing information. If the kit instructions conflict with those in this procedure, use the kit instructions.
4. Read the yellow “Caution” label on the rear of the drive enclosure between the power supply canisters (see Figure 7-4).

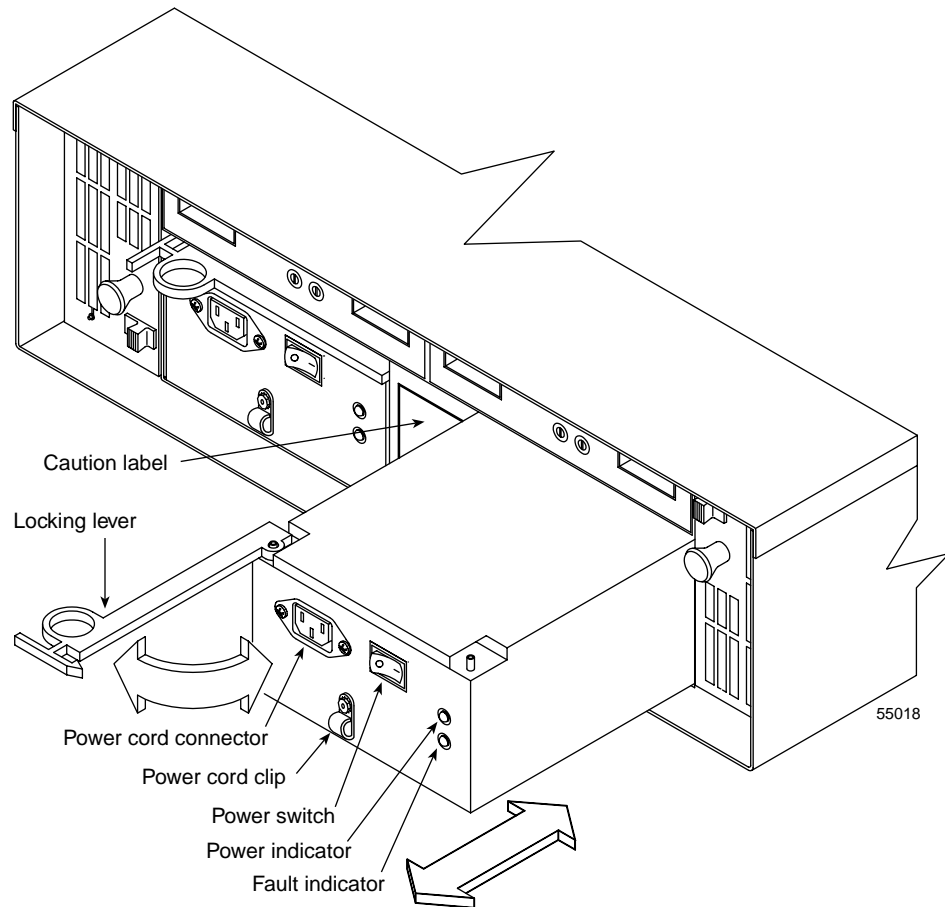


Figure 7-4 Removing and Installing a Power Supply Canister



Danger: Shock can occur. Make sure the power supply is turned off and unplugged before you remove or install it.

5. Locate the failed power supply (its fault light should be on).
6. Turn off the power and unplug the power cord from the failed canister.
7. Remove the power cord from the power cord clip.
8. Wearing antistatic protection, grasp the pull-ring on the locking lever and squeeze the tab against the ring to unlatch the lever (see Figure 7-4).
9. Pull open the lever and remove the failed canister.
10. Check the lever to make sure the orientation is the same as the canister it is replacing. If not, move the lever to the pivot post on the other side (see Figure 7-5).

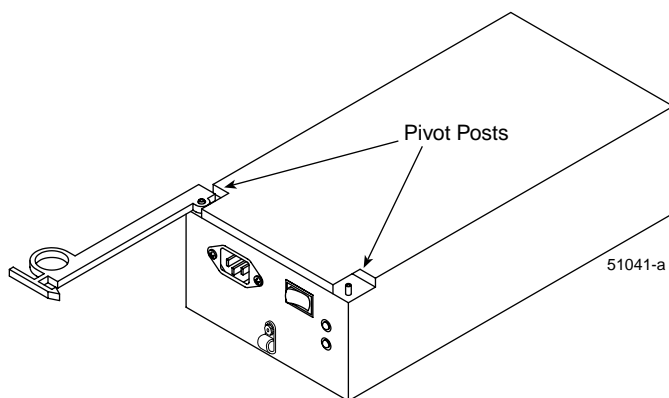


Figure 7-5 Lever on Power Supply Canister



Danger: Shock can occur. Make sure the power supply is turned off and unplugged before you remove or install it.

11. Make sure that the power switch on the new power supply canister is turned off.
12. Wearing antistatic protection, slide the new power supply canister into the slot.
13. Close the lever and lock it into place.
14. Secure the power cord in the power cord clip.

15. Plug in the power cord and turn on the power switch.
16. Check that the power indicator on the new canister is on and the Fault indicator is off (see Figure 7-4).
 - If the power indicator is off, the canister might be installed incorrectly. Remove it and reinstall it.
 - If the fault indicator is on, or the power indicator stays off, check the storage management software (TPSSM) to determine the problem.

Replacing a Failed SFP Transceiver

To replace a failed SFP Transceiver, read the section titled “SFP Transceivers” on page 81, and then follow these steps:



Caution: Electrostatic discharge can damage sensitive components. Use a grounded wrist strap or other antistatic precautions before handling drive enclosure components.

1. Check the storage management software (TPSSM) for instructions on SFP failure recovery procedures. Follow any steps given by the software before you proceed.
2. Unpack the new SFP transceiver. Set it on a dry, level surface near the drive enclosure. Save all packing materials in case you need to return the SFP transceiver.
3. Review all documentation shipped with the new SFP transceiver for updated replacement procedures and other information. If necessary, modify the remaining steps to meet the system requirements. Kits often contain the most current servicing information. If the kit instructions conflict with those in this procedure, use the kit instructions.
4. Locate the failed SFP transceiver.

Important: When an SFP transceiver fails, its bypass indicator glows amber, and so does the Bypass indicator of the module to which it is connected (including the fault light on the controller enclosure). Make sure you remove the correct SFP transceiver. Use the fault lights and the storage management software (TPSSM) to locate the failed SFP transceiver.

5. Wearing antistatic protection, remove the Fibre Channel cables from the failed SFP transceiver (see Figure 7-6).



Caution: Bending or damaging Fibre Channel cables can result in degraded performance or data loss. Fibre Channel cables are fragile. Do not pinch the cables with tie wraps, step on them, or bend at them sharp angles.

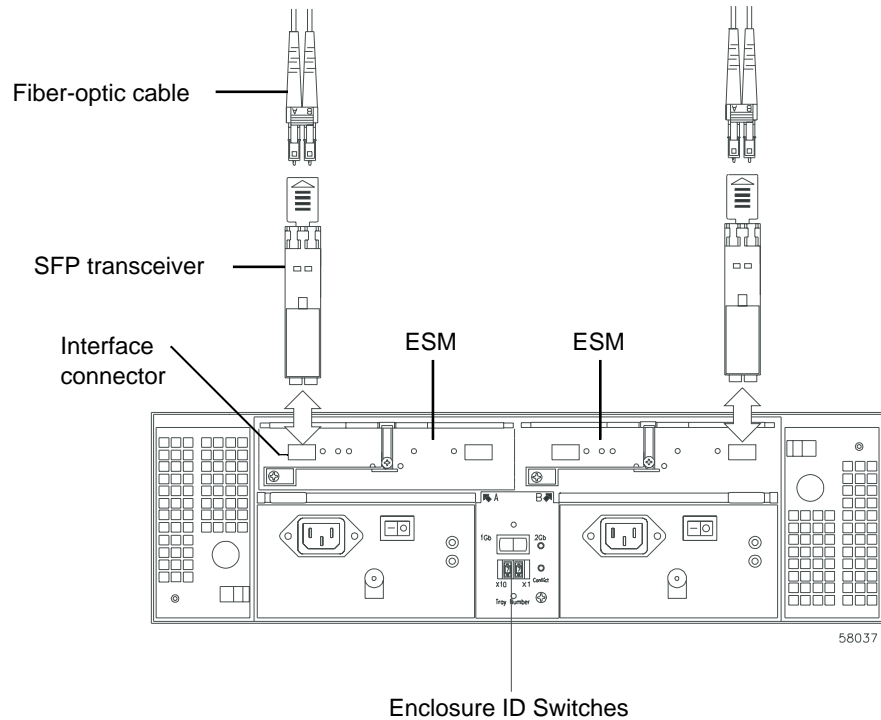


Figure 7-6 Removing and Installing an SFP Transceiver

6. Remove the failed SFP transceiver from the environmental status module.
7. Insert the new SFP transceiver into the environmental status module.
8. Connect the Fibre Channel cables to the new SFP transceiver.
9. Check the bypass indicator next to the failed SFP transceiver (see Figure 7-6).
 - If the bypass indicator is on, the SFP transceiver might be installed incorrectly. Remove the SFP transceiver and reinsert it.

- If the bypass indicator stays on, or a fault indicator on the environmental status module comes on, check the storage management software (TPSSM) to determine the problem.

Replacing a Failed Environmental Status Module

When the storage management software (TPSSM) instructs you to replace a failed environmental status module, read the section titled “Environmental Status Module” on page 80, and then follow these steps:



Caution: Electrostatic discharge can damage sensitive components. Use a grounded wrist strap or other antistatic precautions before handling drive enclosure components.

1. Check the storage management software (TPSSM) for instructions on environmental card failure recovery procedures. Follow any steps given by the software before you proceed.
2. Unpack the new environmental status module. Set the new canister on a dry, level surface near the drive enclosure. Save all packing materials in case you need to return the canister.
3. Review all documentation shipped with the new environmental status module for updated replacement procedures and other information. If necessary, modify the remaining steps to meet the system requirements. Kits often contain the most current servicing information. If the kit instructions conflict with those in this procedure, use the kit instructions.
4. Locate the failed environmental status module (its fault indicator should be on).
5. Disconnect the Fibre Channel cables from the SFP transceivers in the failed canister; then remove the SFP transceivers (see Figure 7-7). Label each cable to ensure that all cables are properly reconnected to the new canister.



Caution: Bending or damaging Fibre Channel cables can result in degraded performance or data loss. Fibre Channel cables are fragile. Do not pinch the cables with tie wraps, step on them, or bend at them at sharp angles.

6. Set the enclosure ID numbers on the new canister exactly as they are set on the failed environmental status module (see Figure 7-7).

Note: Figure 7-7 shows a 14-drive enclosure. The enclosure ID switches on a 10-drive enclosure are located on the rear of each ESM.



Caution: Failure to set the IDs properly on the new canister can result in data loss on one or all drive enclosures.

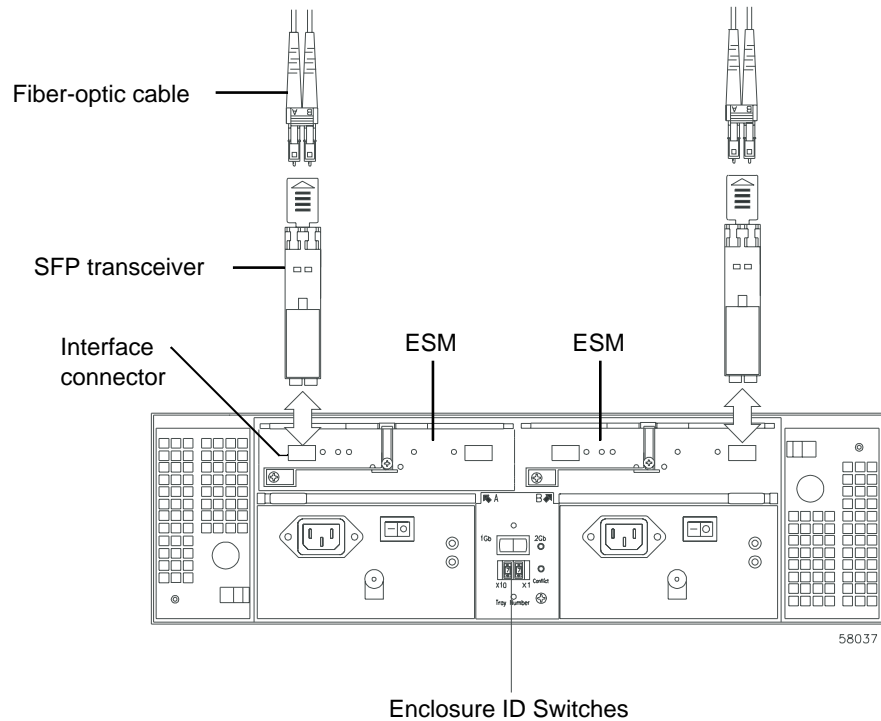


Figure 7-7 Removing SFPs from the Environmental Status Module

7. Wearing antistatic protection, push down on the latch centered above the environmental status module (see Figure 7-8).

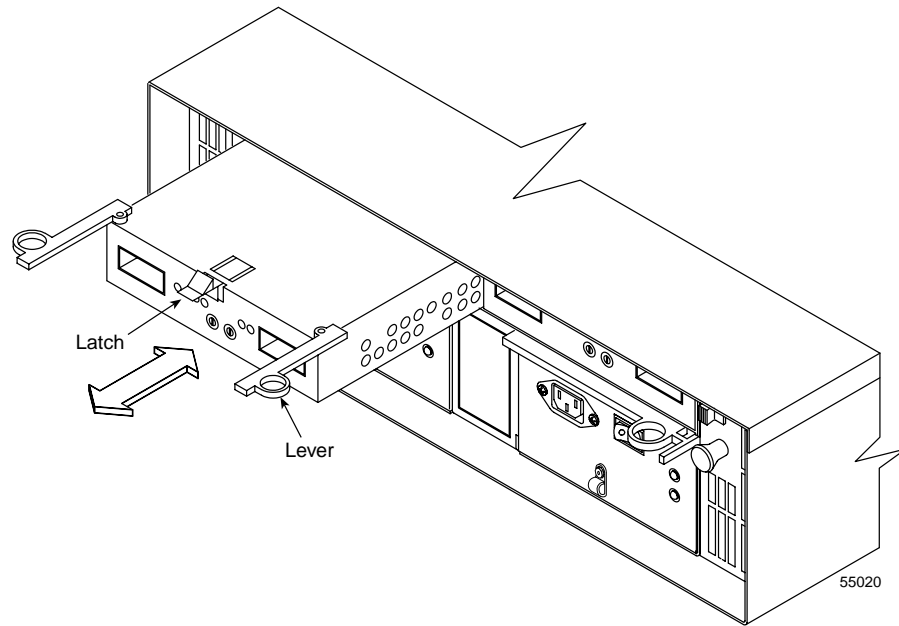


Figure 7-8 Removing and Installing an Environmental Status Module

8. The levers will pop out of the locked position.
9. Grasp the pull-rings and pull on the levers to remove the failed canister.
10. Wearing antistatic protection, slide the new environmental card canister all the way into the empty slot.
11. Close both levers until the latch locks into place.
12. Install the SFP transceivers and Fibre Channel interface cables in their original locations.
13. Check the power and fault indicators on the new canister (see Figure 7-7).
 - If the Power indicator is off, the canister may not have been inserted correctly. Remove the canister and reinsert it.
 - If the fault indicator is on, the power indicator stays off, or any other fault indicator is on, check the storage management software (TPSSM) to determine the problem.

14. See the storage management software (TPSSM) for instructions on bringing the environmental status module online.

Upgrading Drives

You can upgrade drives in two ways:

- Add drives to empty slots in the drive enclosure (see “Adding a Drive to an Empty Slot” on page 114).
- Replace existing drives with drives of larger capacity (see “Adding Drives of Larger Capacity” on page 115).

Adding a Drive to an Empty Slot

Follow these instructions to install an additional drive into empty slot in the drive enclosure. You can install additional drives while the drive enclosure is powered on and running.



Warning: Electrostatic discharge can damage sensitive components. Use a grounded wrist strap or other antistatic precautions before handling drive enclosure components.

1. Read the pertinent information in the software manuals supplied with your system regarding drive upgrades and installation.
2. Check the storage management software (TPSSM) and repair all reported problems.
3. Locate the blank drive module you will replace with a drive as follows:
 - Because a blank drive module contain no drive, its Activity indicator (on the front bezel above the drive module) will not be on.
 - Verify the drive position is blank using the storage management software (TPSSM).



Caution: Removing the wrong drive can cause data loss. Make sure you remove only a blank drive module.

If you remove an active drive accidentally, wait at least 30 seconds and then reinstall it. Check the storage management software (TPSSM) for further recovery instructions.

4. Wearing antistatic protection, lift (open) the lever of the blank drive module.
5. Pull out the blank drive module (see Figure 7-1 on page 102).
6. Unpack the new drive module. Save all packing materials in case you need to return the module.
7. Review all documentation shipped with the new drive module for updated replacement procedures and other information.
8. Slide the new drive module fully into the slot.
9. Lower (close) the lever.
10. Check the drive activity and fault indicators above the new drive module.
The activity indicators should be on and the fault indicators should be off.

Note: The fault indicator may flash intermittently while the drive spins up.

- If the activity indicator is off, the drive module may not be installed correctly. Remove the drive module, wait 30 seconds, and then reinstall it.
 - If the fault indicator stays on, or the activity indicator stays off, the new drive may be bad. Check the storage management software (TPSSM) to determine the problem.
11. Configure the new drive using the storage management software (TPSSM).

If you need to install more than one drive module, repeat these steps.

Adding Drives of Larger Capacity

This section provides guidelines for upgrading the disk drives in a storage array. Carefully read your software documentation and this entire section to determine if you should use this procedure, use a modified version of this procedure, or use a different

procedure provided by your operating system. Instructions provided with your software should supersede the instructions in the section.



Warning: Electrostatic discharge can damage sensitive components. Use a grounded wrist strap or other antistatic precautions before handling drive enclosure components.

The only method for upgrading disk drives is to replace them all at the same time. This method requires you to back up the drive enclosure and shut down the storage array before replacing the drives. After replacing all the drives, you must reconfigure the drive enclosure and restore the data from backup media. This is the safest way to exchange drives without losing data. However, this method may take a long time to complete because of the backup, reconfiguration, and restoration processes. In addition, other users will not be able to use the drive enclosure until you finish the procedure. You must use this method on RAID 0 logical units (LUNs).

Follow these instructions to replace all drives at the same time. All the data currently on the drives will be lost when you replace the drives. You must use this method if you are upgrading drives containing RAID 0 volumes.

1. Read the following:

- The section titled “Upgrading Drives” on page 114.
- The information in your software documentation.
- The documentation shipped with the new drives.

Read all precautionary notes, kit instructions, and other information. Kit instructions often contain the most current information regarding the drives and their installation, plus upgrade or servicing procedures. Compare the kit instructions with this procedure to determine if you need to modify this procedure.

2. Check the storage management software (TPSSM) and repair all reported problems.
3. Perform a complete backup of the drives you are replacing. You need the backup to restore data on the drives later in this procedure.
4. Shut down all I/O activity on the drive enclosure. Make sure the drive activity indicators on the front are not blinking.
5. Turn off both power switches on the rear of the drive enclosure.

6. Remove the drives that you intend to replace. Wearing antistatic protection, lift (open) the lever of the drive modules. Pull out the drive modules (see Figure 7-1 on page 102).
7. Unpack a new drive. Save the packing material and documentation in case you need to return the drive.
8. Slide the new drive module fully into a slot.
9. Lower (close) the lever.
10. Repeat steps 7 through 9 until you have installed all the new drives.
11. Turn on both power switches on the drive enclosure.
12. Check the drive activity and fault indicators above the new drive modules.
The activity indicators should be on and the fault indicators should be off.

Note: The fault indicator may flash intermittently while the drive spins up.

- If the activity indicator is off, the drive module may not be installed correctly. Remove the drive module, wait 30 seconds, and then reinstall it.
 - If the fault indicator stays on, or the activity indicator stays off, the new drive may be bad. Check the storage management software (TPSSM) to determine the problem.
13. Configure the drives as necessary.
Configure the new drives using the storage management software (TPSSM). See your software documentation for detailed instructions.
 14. Restore the data from backup to all the drives.

Adding Drive Enclosures

You can add new drive enclosures to an existing storage array without turning off the array or interrupting data flow. You do so in one of the following two ways:

- By connecting the new drive enclosure to empty connectors on the controller enclosure (See the following section, “Connecting the New Drive Enclosure to a Controller Enclosure”).

- By installing the new drive enclosure into an existing drive loop (See “Connecting the New Drive Enclosure to an Existing Loop” on page 118).



Caution: You can add only new drive enclosures to the storage array. This means that there must be no existing information on the drive enclosure you want to install. If the drive enclosure you want to install currently contains volumes or configured hot spares, you must delete them before adding the drive enclosure to a new configuration.

You need to refer to the installation manual accompanying your controller and drive enclosures to complete this procedure.

Connecting the New Drive Enclosure to a Controller Enclosure

To install one or more new drive enclosures by connecting the new enclosures directly to the controller enclosure, follow these steps:

1. Follow the instructions in *SGI TP9500 RAID Installation and Upgrade Guide* to set up and mount the new drive enclosures and to connect them to each other.
2. Follow the instructions in the *SGI TP9500 RAID Installation and Upgrade Guide* to connect the drive enclosures to the controller enclosure.



Warning: Electrostatic discharge can damage sensitive components. Use a grounded wrist strap or other antistatic precautions before handling drive enclosure components.

After you complete all connections, the controller will locate the new drives.

3. Use the storage management software (TPSSM) to check the status of the new drives and correct any errors found.
4. Use the storage management software (TPSSM) to configure the new drives.

Connecting the New Drive Enclosure to an Existing Loop

To install one or more new drive enclosures into an existing loop, follow these steps:

1. Follow the instructions in the *SGI TP9500 RAID Installation and Upgrade Guide* to set up and mount the new drive enclosures and to connect them to each other.
2. Re-cable the drive enclosures follows (see Figure 7-9):



Warning: Electrostatic discharge can damage sensitive components. Use a grounded wrist strap or other antistatic precautions before handling drive enclosure components.

- a. Disconnect the cable (marked “1” in Figure 7-9) from its current connection and connect it to the In connector on the new drive enclosure. If you are adding more than one drive enclosure, connect this cable to the In connector on the last drive enclosure in the new group.
- b. Connect a cable (marked “2” in Figure 7-9) to the In connector that you disconnected in the previous step and the Out connector on the new drive enclosure.
- c. Connect a second cable (marked “3” in Figure 7-9) to the empty In connector on the current drive enclosure and the Out connector on the new drive enclosure.

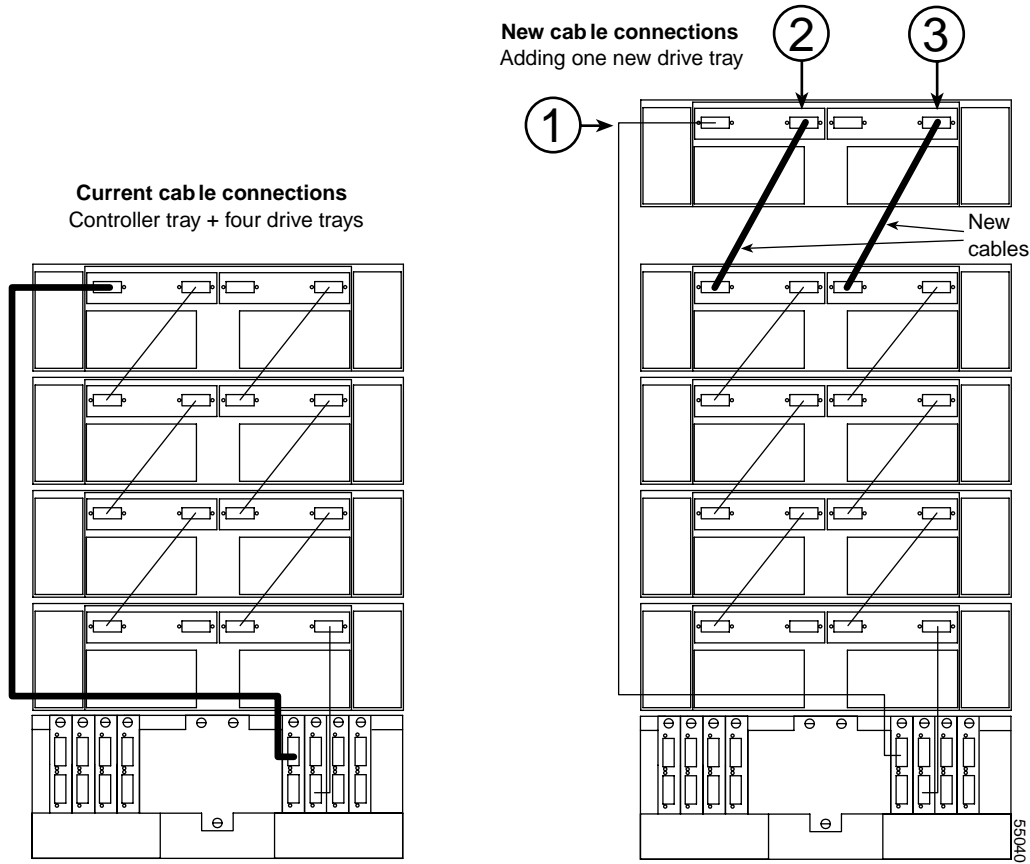


Figure 7-9 Adding a New Drive Enclosure to an Existing Loop

- d. After you complete all connections, the controller will locate the new drives.

Important: Depending on how long it takes you to complete steps a and b in Figure 7-9, the storage management software (TPSSM) may report a loss of redundancy error on the drive enclosures in the loop. This error will not interfere with data flow, and will disappear after you complete step b.

3. Use the storage management software (TPSSM) to check the status of the new drives and correct any errors found.
4. Use the storage management software (TPSSM) to configure the new drives.

Cabling

This chapter describes the cabling between the controller enclosure and the front-end host, the drive enclosure and the back-end drive side, Ethernet, serial port, and power connections in the following sections:

- “Connecting the Drive Loop Cables” on page 121
- “Connecting Drive Cables to the Controller Enclosure” on page 125
- “Connecting the System to the Hosts” on page 129
- “Powering On the System” on page 138

Connecting the Drive Loop Cables

The system is designed to support redundant drive loops. A redundant drive loop consists of one or more drive enclosures connected to the controller enclosure using two sets of data cables. If one data path fails, the controller uses the other data path to maintain access to the drive group.

Follow these instructions to cable a group of drive enclosures into a redundant drive loop. If the drive loop contains only one drive enclosure, skip this procedure and proceed to “Connecting Drive Cables to the Controller Enclosure” on page 125.



Warning: Electrostatic discharge can damage sensitive components. Use appropriate antistatic precautions before handling any components.

To complete this procedure, you will need two optic interface cables.

1. Connect the first two drive enclosures to drive loop A (see Figure 8-1).

Starting with the first drive enclosure, connect an interface cable from the In (sometimes shown as an up arrow) connector on the left environmental status module to the Out (sometimes shown as a down arrow) connector on the left environmental status module in the second (next) drive enclosure.

Note: “In” and “Out” (or up and down arrows) do not refer to data flow direction. These are meant to indicate how enclosures are chained.

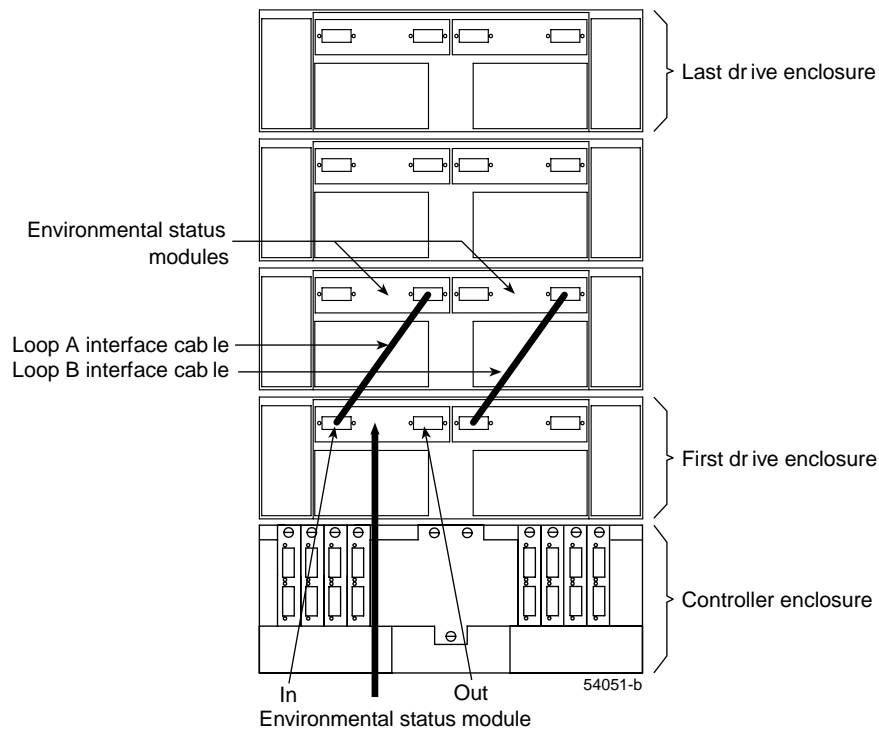


Figure 8-1 Connecting Two Drive Enclosures into a Redundant Drive Loop

2. Connect the first two drive enclosures to drive loop B (see Figure 8-1).

Starting with the first drive enclosure, connect an interface cable from the In connector on the right environmental status module to the Out connector on the right environmental status module in the second (next) drive enclosure. If you want to cable more drive enclosures into loops A and B, proceed to step 3. Otherwise, skip to step 4.

3. Connect additional drive enclosures to drive loops A and B (see Figure 8-2).

Starting with the second drive enclosure, cable each additional drive enclosure into Loops A and B in the same manner. Leave the In connectors on the last drive enclosure (the one farthest from the host) and the Out connectors on the first drive enclosure unoccupied. When finished, proceed to the next step.

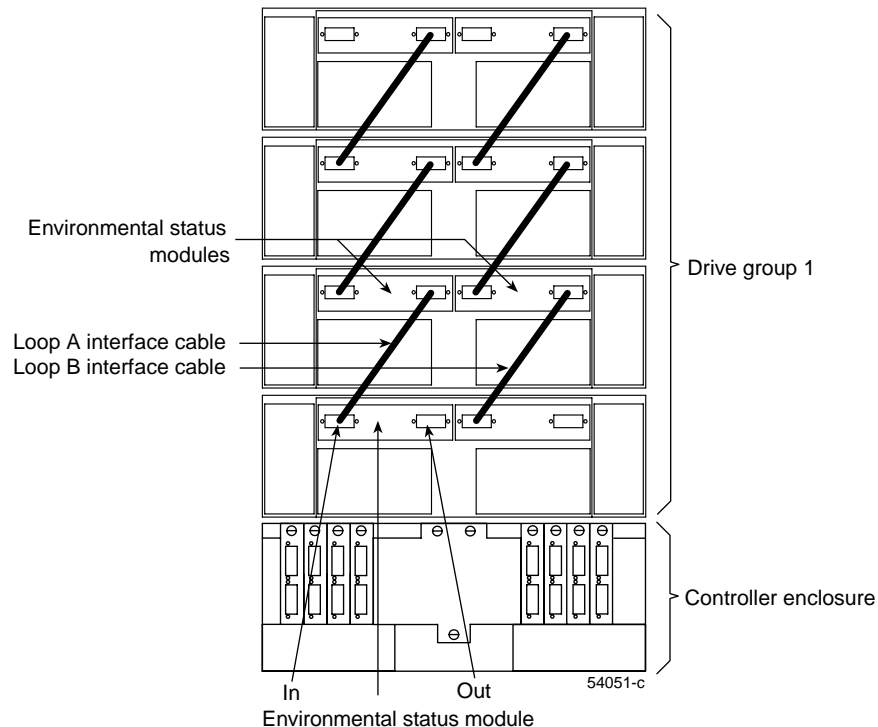


Figure 8-2 Connecting Additional Drive Enclosures to Drive Loops A and B

4. Repeat steps 1 through 3 to cable a second drive group in the same manner (loop C and loop D on drive group 2) (see Figure 8-3).

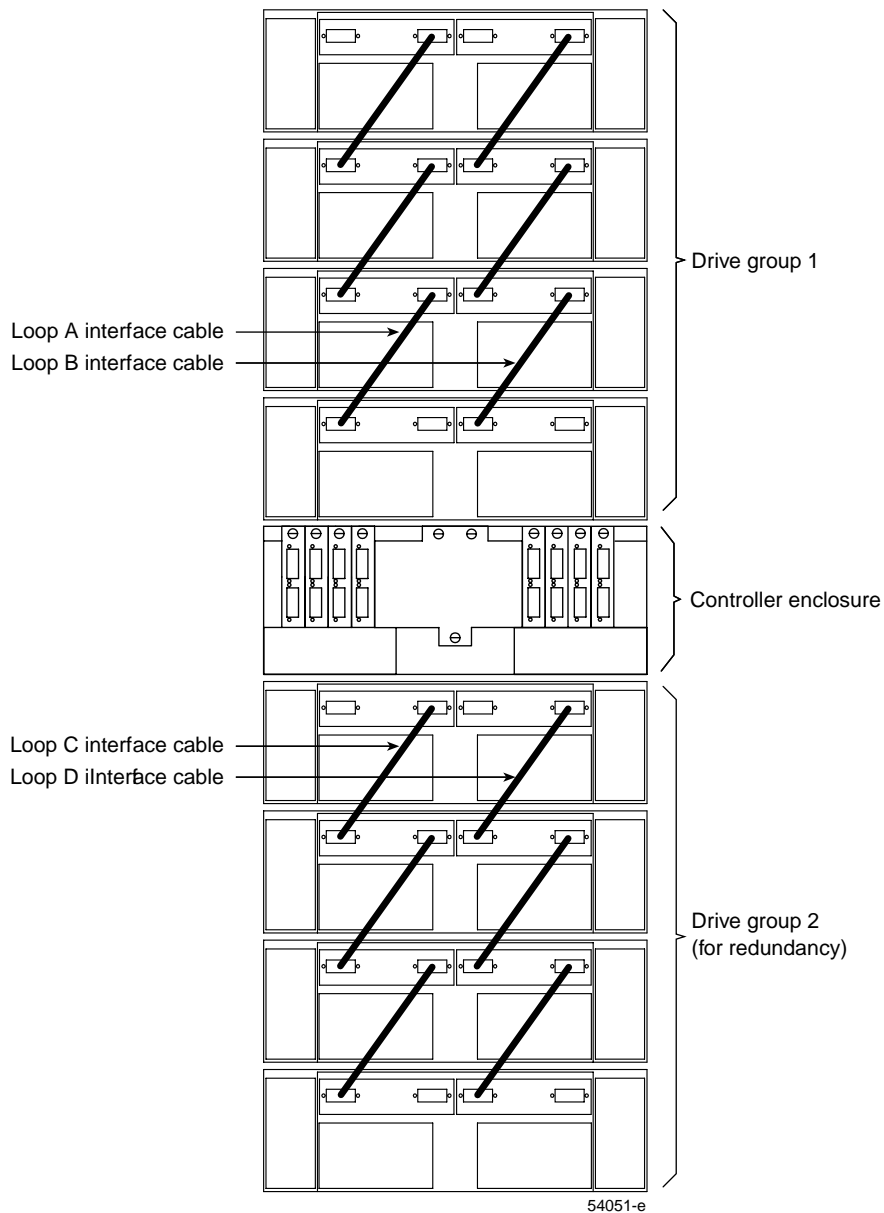


Figure 8-3 Connecting a Second Redundant Drive Loop

Connecting Drive Cables to the Controller Enclosure

Follow these instructions to connect a redundant drive loop to the controller enclosure. You will need two fiber optic cables per drive loop.



Warning: Electrostatic discharge can damage sensitive components. Use appropriate antistatic precautions before handling any components.

1. Connect drive loop A to the controller enclosure (see Figure 8-4).
Starting with the last drive enclosure, cable the In connector on the left environmental card to the upper connector on drive minihub card 4 on the controller enclosure. Leave the In lower connector on card 4 unoccupied.

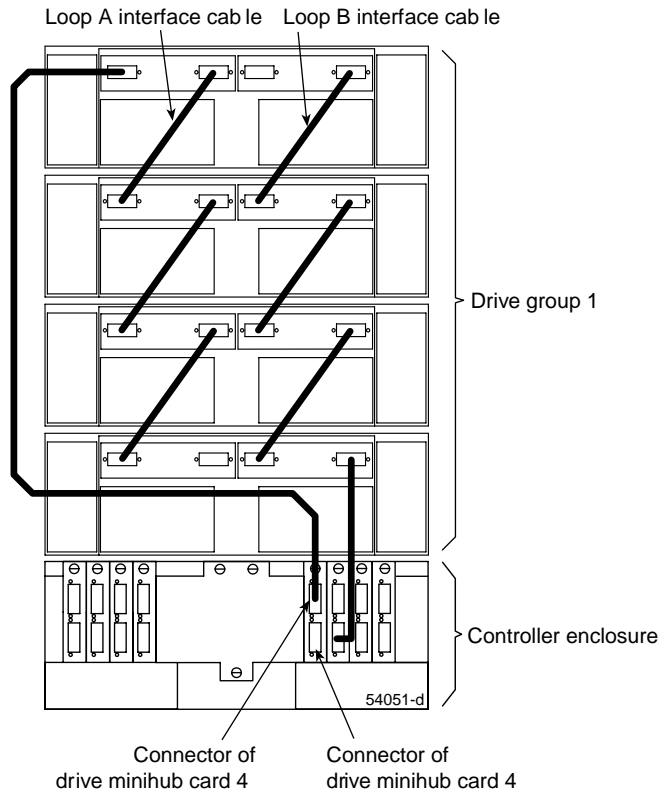


Figure 8-4 Cabling Redundant Drive Loops to the Controller

2. Connect drive loop B to the controller enclosure (see Figure 8-4).
Starting with the first drive enclosure, cable the Out connector on the right environmental card to the In (lower) connector on drive minihub card 3. Leave the Out connector on the left environmental card and the upper connector on card 3 unoccupied.
3. To connect a second drive group as a redundant drive loop to the same controller enclosure, proceed to Step 4. Otherwise, proceed to “Connecting the System to the Hosts” on page 129.
4. Connect drive loop C to the controller enclosure (see Figure 8-5).
Starting with the first drive enclosure, cable the In connector on the left environmental card to the Out (upper) connector on drive minihub card 2. Leave the In (lower) connector on card 2 unoccupied.

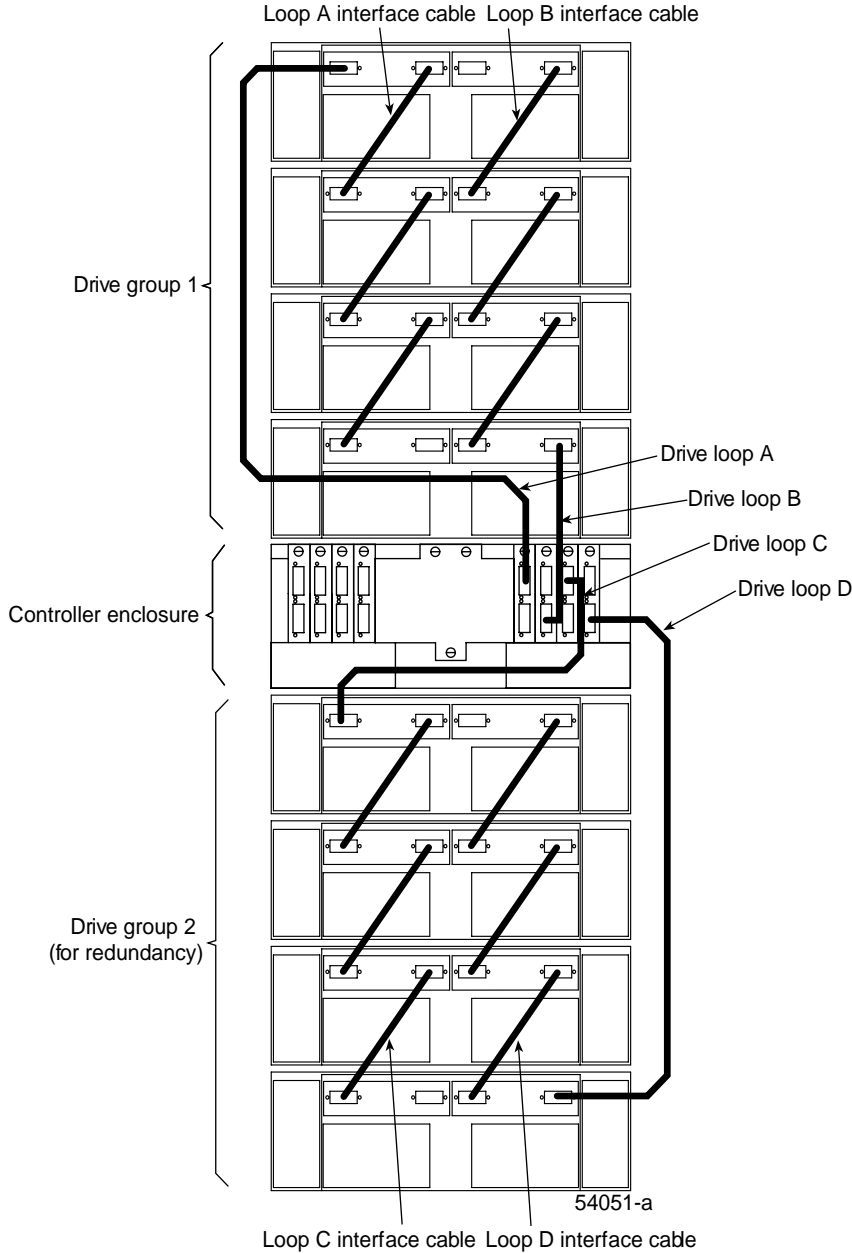


Figure 8-5 Two Drive Groups, Each with Redundant Drive Loops

5. Connect drive Loop D to the controller enclosure (Figure 8-5).

Starting with the last drive enclosure, cable the Out connector on the right environmental card to the In (lower) connector on drive minihub card 1. Leave the Out (upper) connector on card 1 unoccupied.

Connecting the System to the Hosts

Your system can be connected to the host computer (or multiple host computers) in many ways. The following figures show typical examples of how you can connect the system either by direct connect or fabric connect. All examples assume dual-controller high-availability (HA) configurations. The following topics are covered:

- “Examples of Direct Host Connection Cabling” on page 129
- “Examples of Fabric/Switch Host Connection Cabling” on page 133
- “In-Band and Out-of-Band Array Management” on page 136



Warning: Electrostatic discharge can damage sensitive components. Use appropriate antistatic precautions before handling any components.

Examples of Direct Host Connection Cabling

Figure 8-6 shows the simplest dual-controller, direct connection. The host bus adapter (HBA) 1 is connected to controller A, and the HBA 2 is connected to controller B.

Note: If the host’s operating system does not support fail-over, the host can only to be connected to one controller. See Figure 8-8.

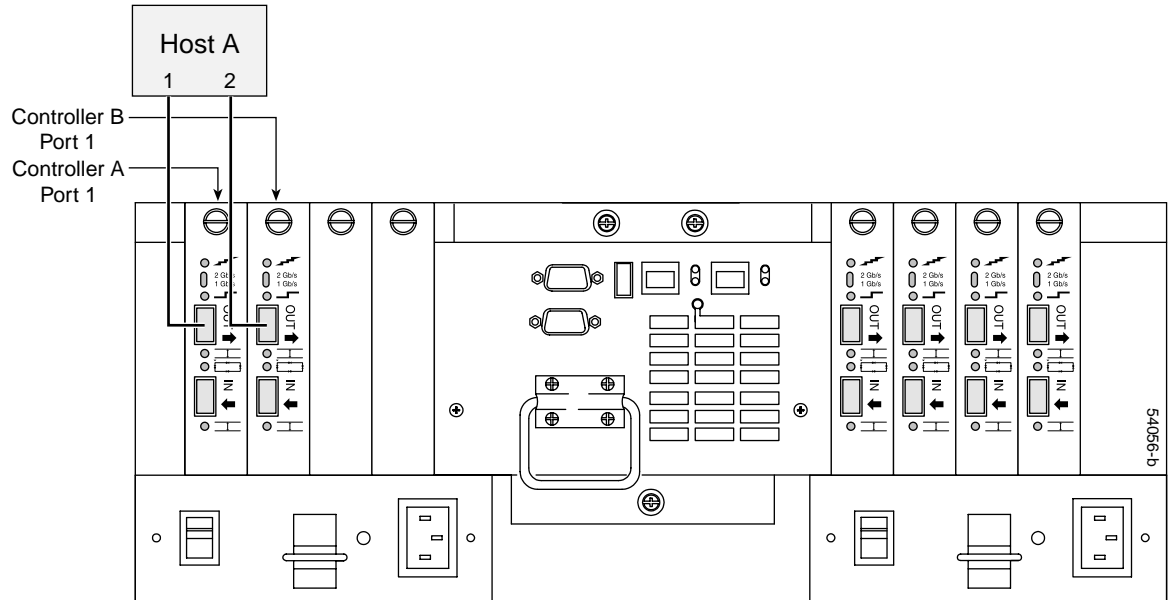


Figure 8-6 Direct Host Connect (1 Host, 2 HBA)

Figure 8-7 shows a high-bandwidth configuration. Each of the four HBAs is connected to each host (front end) minihub.

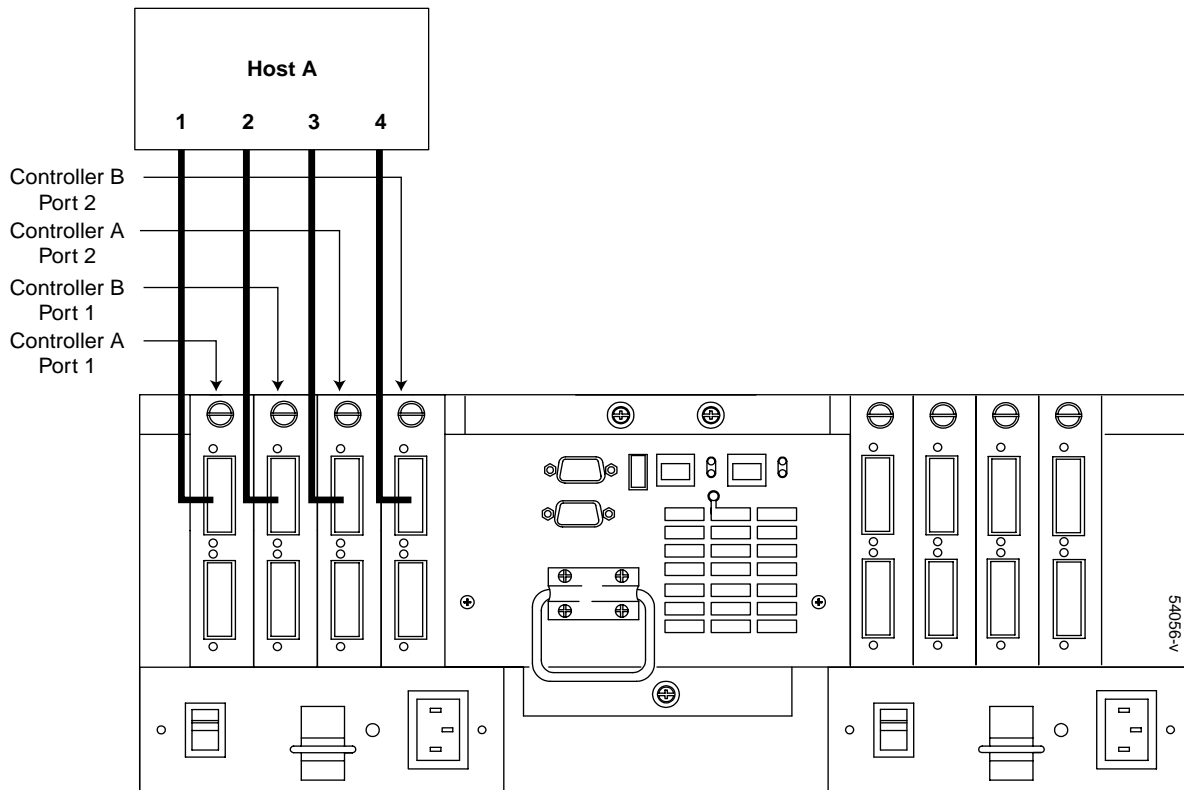


Figure 8-7 Direct Host Connect (1 Host, 4 HBA)

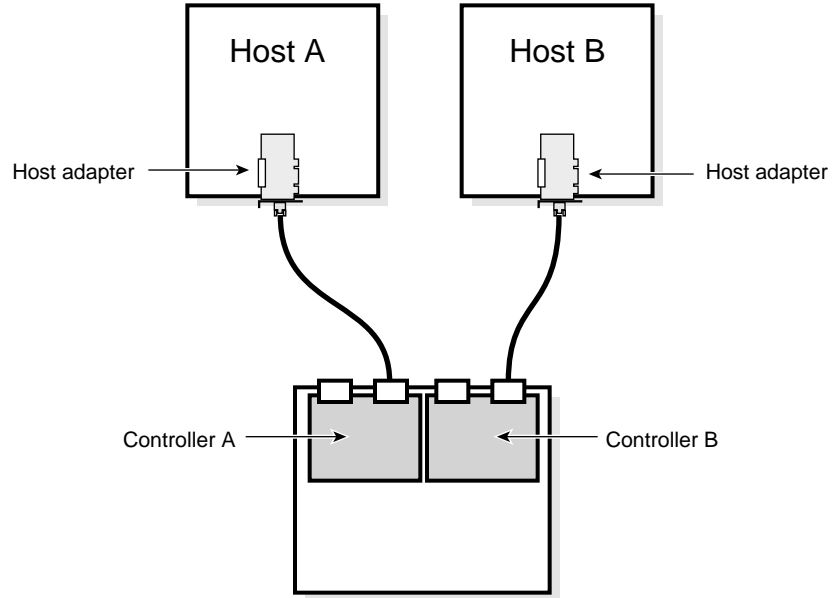


Figure 8-8 Direct Host Connect for Non-fail-over Configuration

Figure 8-9 shows two hosts directly connected. These hosts share controller bandwidth.

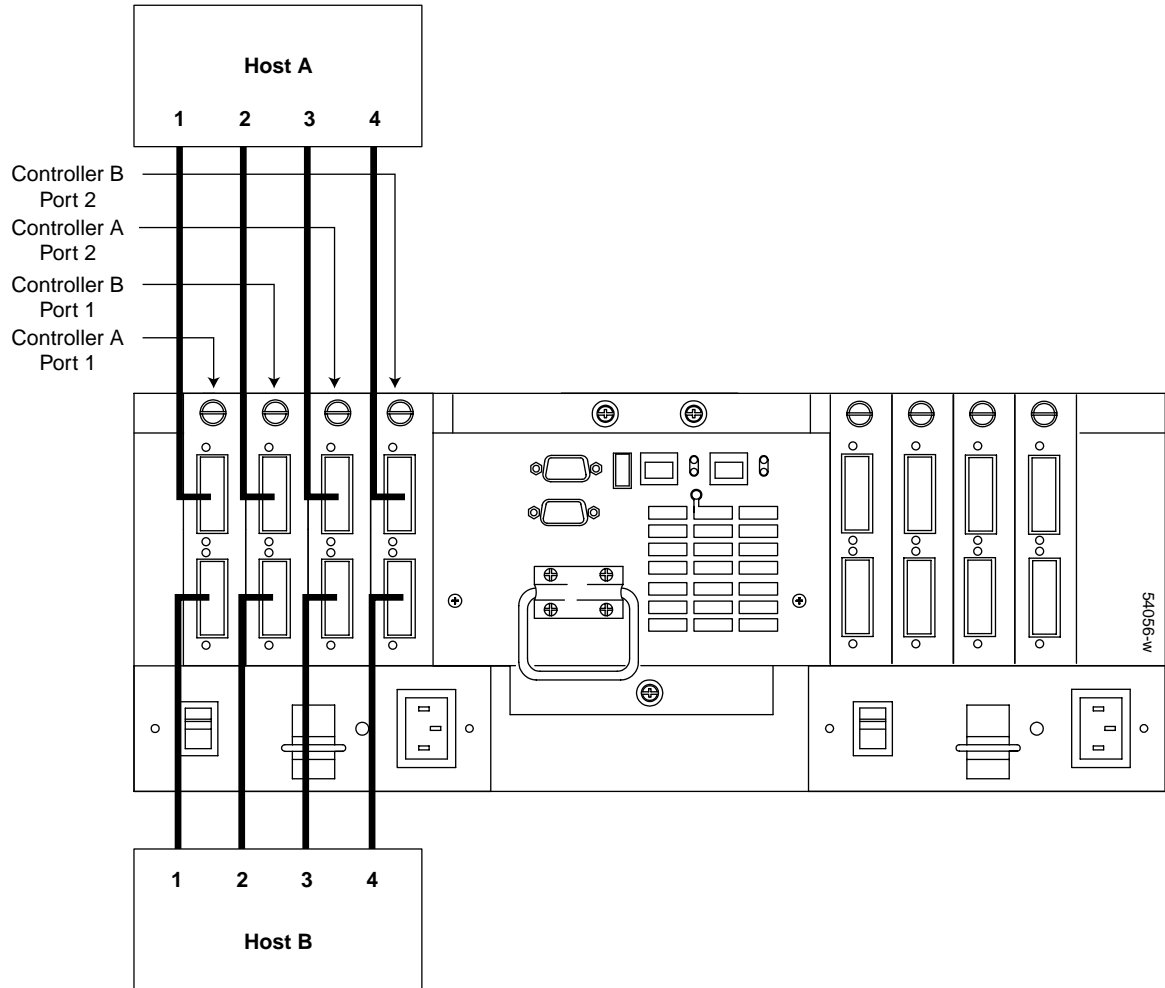


Figure 8-9 Direct Host Connect (2 Host, 4 HBA/Host)

Examples of Fabric/Switch Host Connection Cabling

The following are example configurations. For more information, see the “SGI Storage Area Network Installation Instructions” (108-0252-00X) shipped with the Fibre Channel switch.

Note: When you install a controller in a switched configuration, you *must* remove the SFP transceiver from the lower Fibre Channel connector on each front end (host) minihub that is connected to the switch.

Figure 8-10 shows a simple switch configuration.

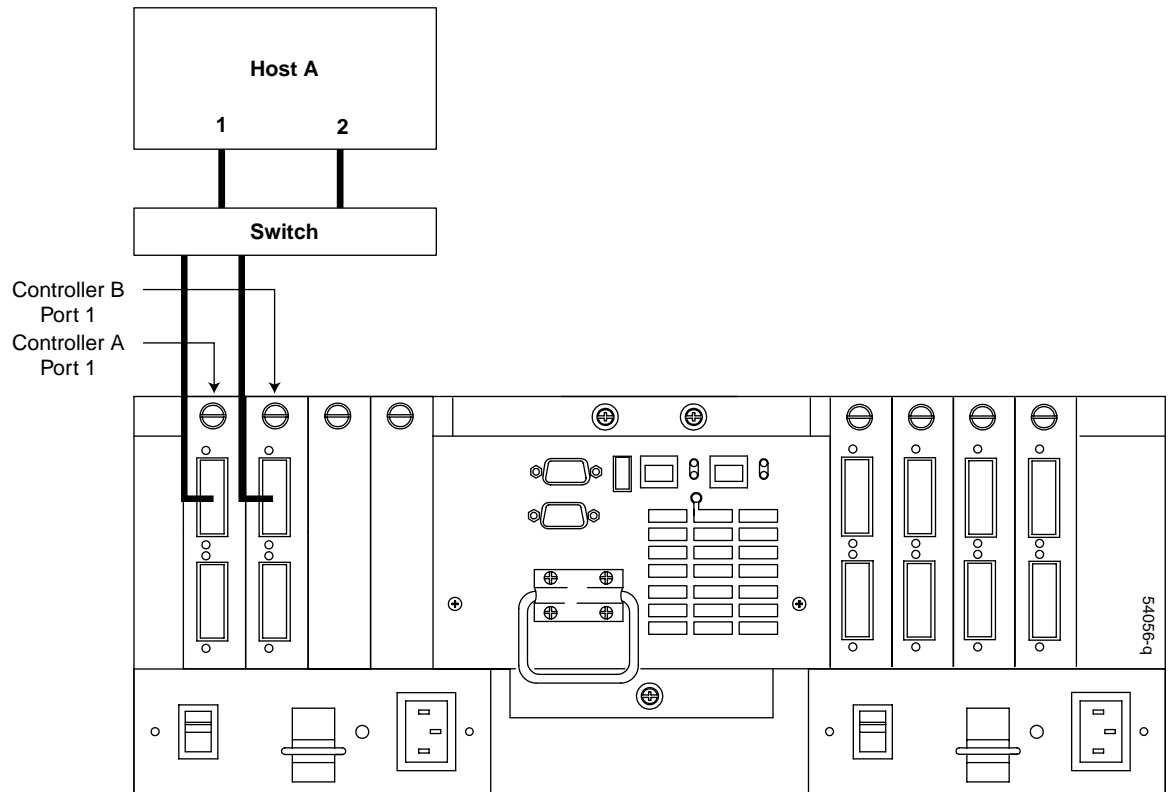


Figure 8-10 Switch Connect (1 Host, 2 HBA)

Figure 8-11 shows a dual-hosted switch configuration.

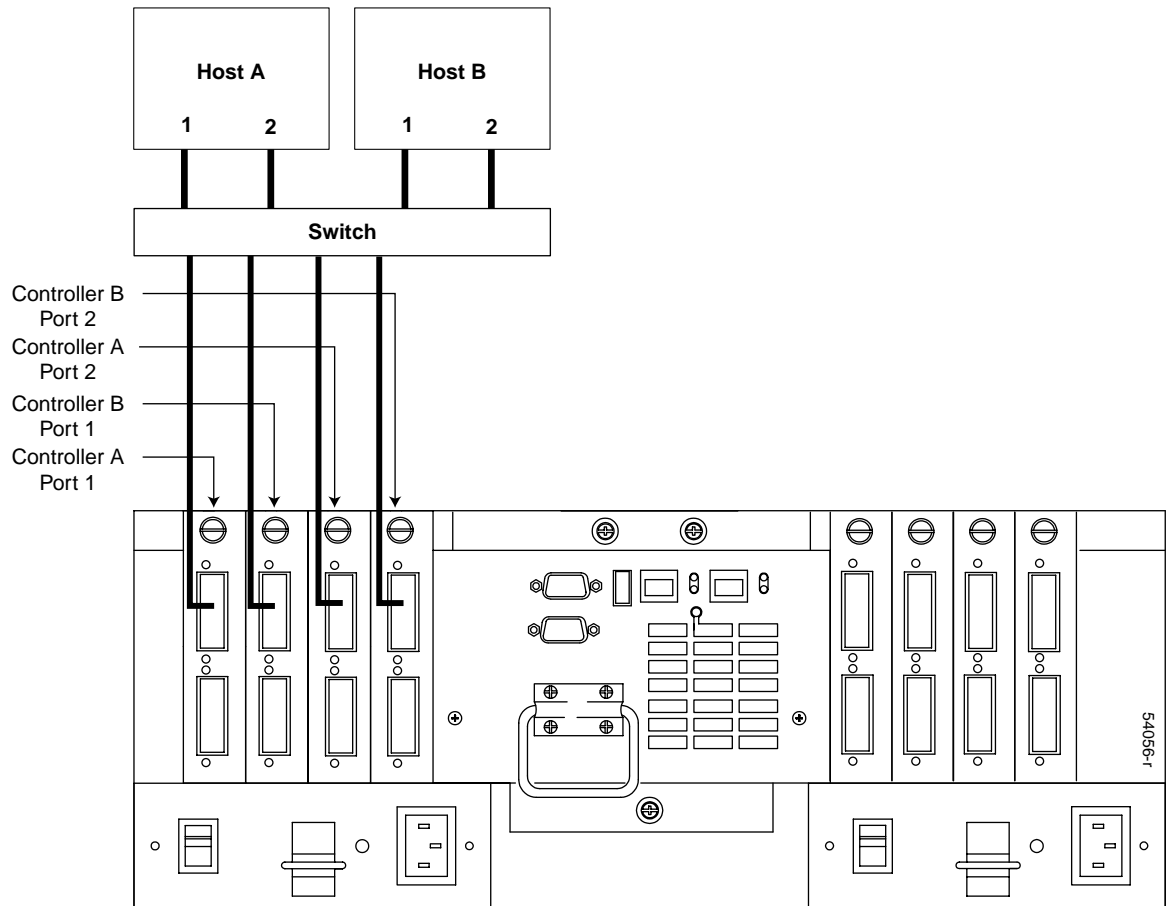


Figure 8-11 Switch Connect (2 Host, 2 HBA/Host)

Figure 8-12 shows a high-availability (HA) switch configuration.

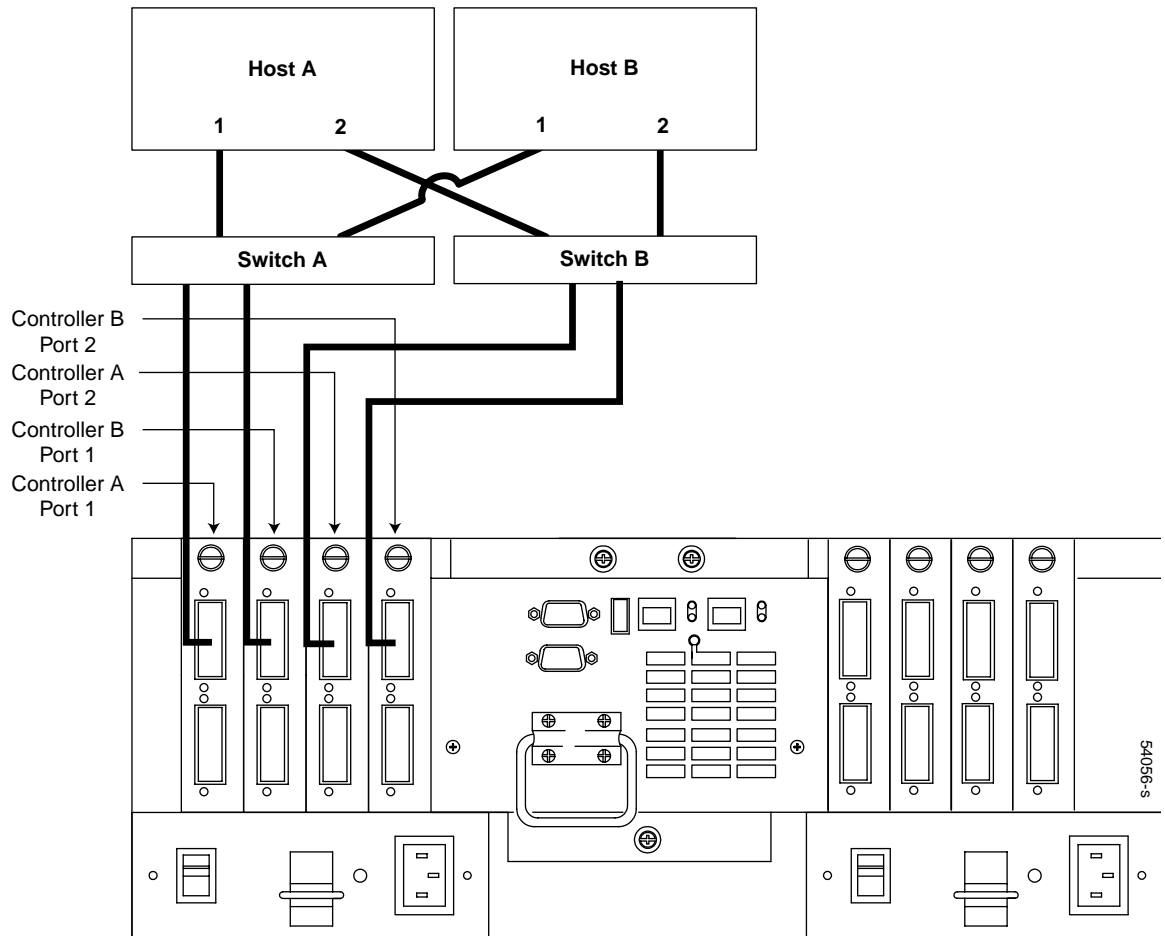


Figure 8-12 Multi-Switch Connect (2 Host)

In-Band and Out-of-Band Array Management

There are two methods of managing the storage system: in-band and out-of-band. In-band management requires that only the Fibre Channel host interface is present and functional. Out-of-band management requires that Ethernet or serial connections are cabled to each controller.

Note: For more information on the storage management software (TPSSM), see the *SGI TP9400 and SGI TP9500 RAID Administration Guide* (007-4306-00x), the *SGI TP9400 and SGI TP9500 Software Concepts Guide* (007-4305-00x), and the *SGI Storage Area Network Installation Instructions* (108-0252-00x).

To connect Ethernet or serial (RS-232) interface cables to the controller enclosure for direct management of the storage array, follow these steps. Optionally, you can use the Ethernet or serial connectors for diagnostic procedures.



Warning: Electrostatic discharge can damage sensitive components. Use appropriate antistatic precautions before handling any components.

1. Connect the Ethernet interface cables (see Figure 8-13).
Connect a pair of Ethernet cables from the storage management station to the Ethernet connectors for controller A (top) and controller B (bottom) on the rear of the controller enclosure.
2. Optionally, connect the serial interface cables (see Figure 8-13).
Connect a serial (RS-232) interface cable from the storage management station to the serial connectors for controller A and controller B on the rear of the controller enclosure.

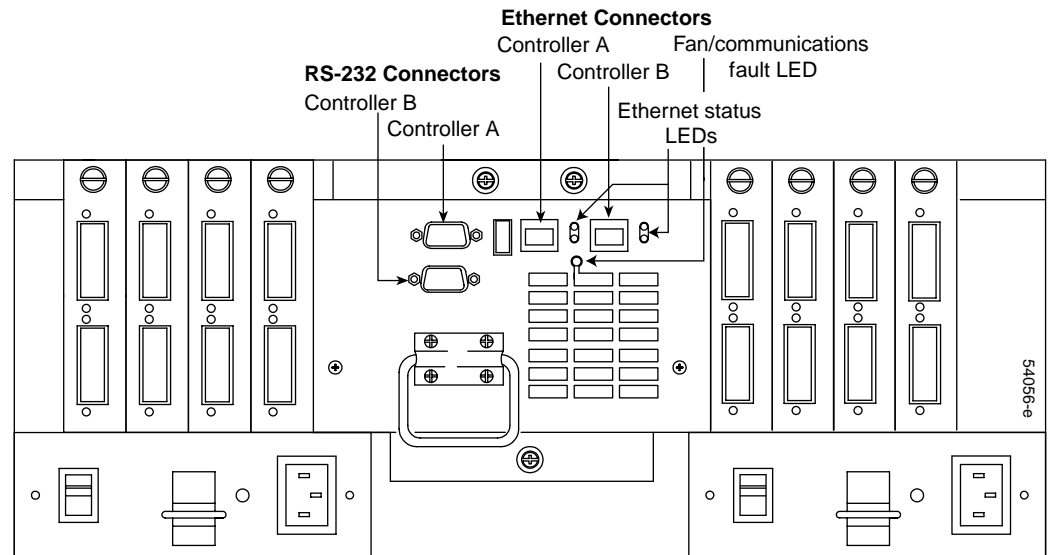


Figure 8-13 Connecting Ethernet and Serial Interface Cables

Powering On the System

To connect the controller and the drive enclosures to the AC power source and power on the system, follow these steps:

Note: To speed drive spin-up, it is recommended that you start the drive enclosures before or at the same time as the controller enclosure. This procedure powers up all components in the system by turning on the power distribution units.



Warning: Electrostatic discharge can damage sensitive components. Use appropriate antistatic precautions before handling any components.

1. Make sure the switches on the power distribution units (rear of the rack inside the access panel) are in the off position.
2. Make sure both power switches on the controller and drive enclosures are off.

3. Plug the controller enclosure power cords into the controller enclosure power supplies (see Figure 8-14).

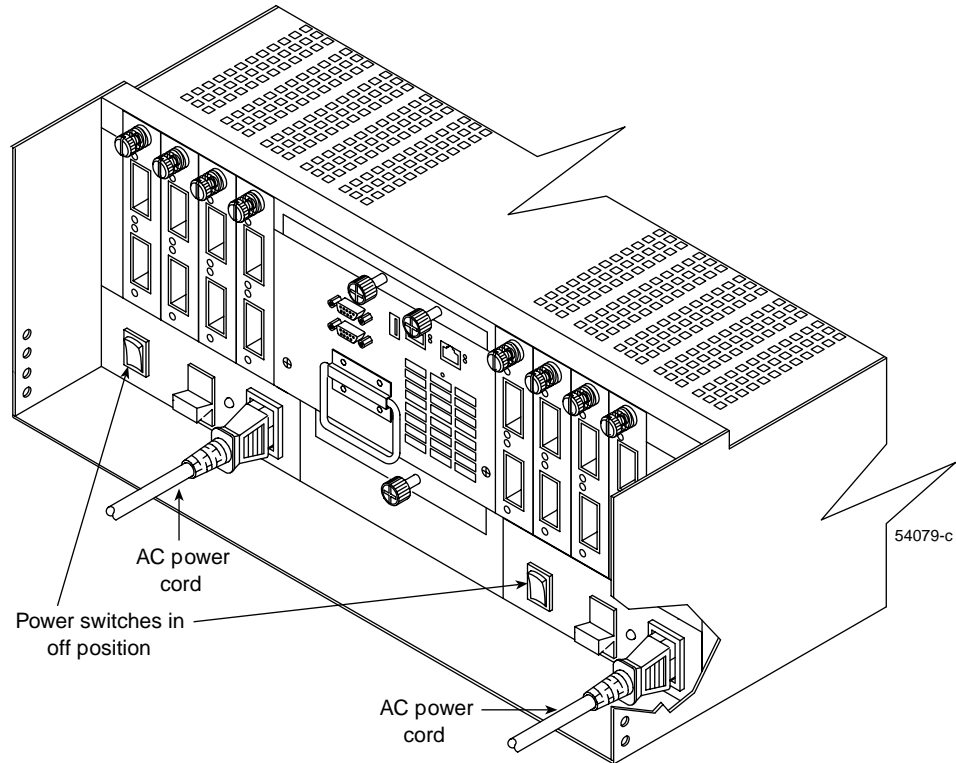


Figure 8-14 Connecting the Power Cords to the Controller Enclosure

4. Plug the controller enclosure power cords into the power distribution units. Plug the left power cords into the left PDU and plug the right power cords into the right PDU.

Note: For details on power requirements, see Appendix A, “Specifications and Requirements”.

5. Plug the drive enclosure power cords into each power supply in the drive enclosures (see Figure 8-15).

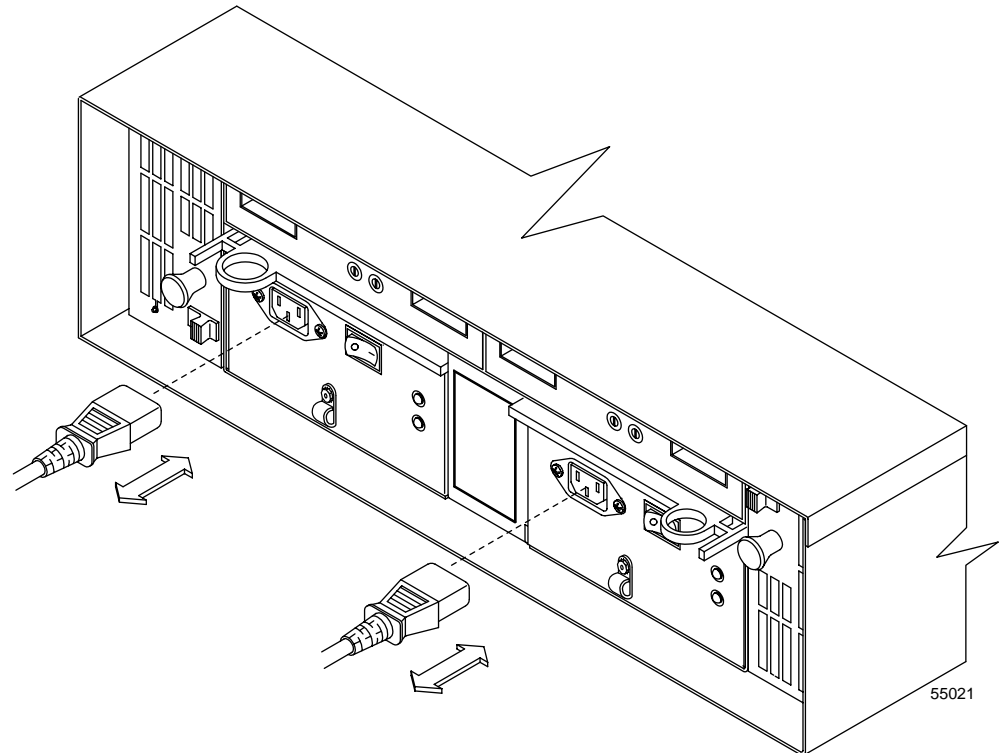


Figure 8-15 Connecting the Power Cords to the Drive Enclosure

6. To keep the power cords from being accidentally pulled from the power connections, secure the cords in the strain relief power cord clips. Figure 8-16 shows how the cords should be secured.

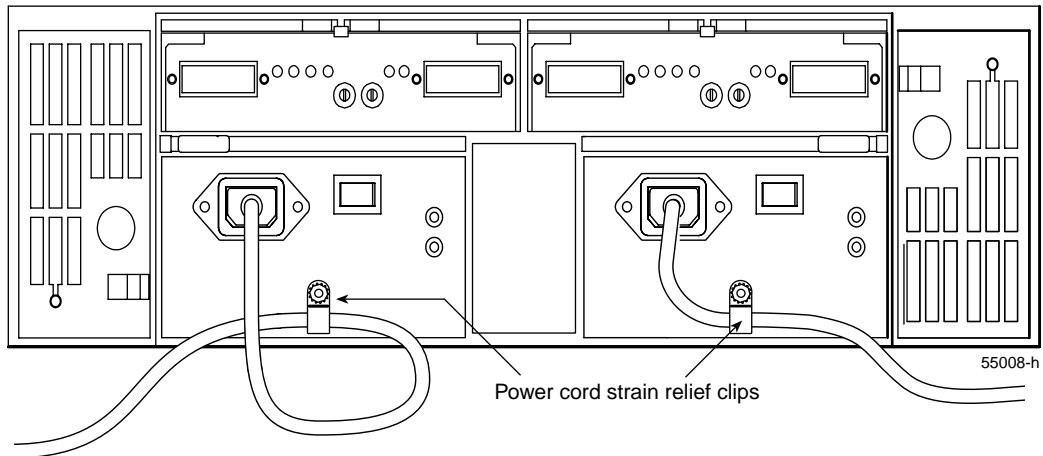


Figure 8-16 Securing the Power Cords in the Cord Clips

7. Plug all drive enclosure power cords into the power distribution units. Plug the left power cords into the left PDU and plug the right power cords into the right PDU.

Note: For details on power requirements, see Appendix A, "Specifications and Requirements".

8. To assure power redundancy, plug each power distribution unit into a separate AC power source.
9. Turn on both power switches on the rear of each drive enclosure (see Figure 8-17).

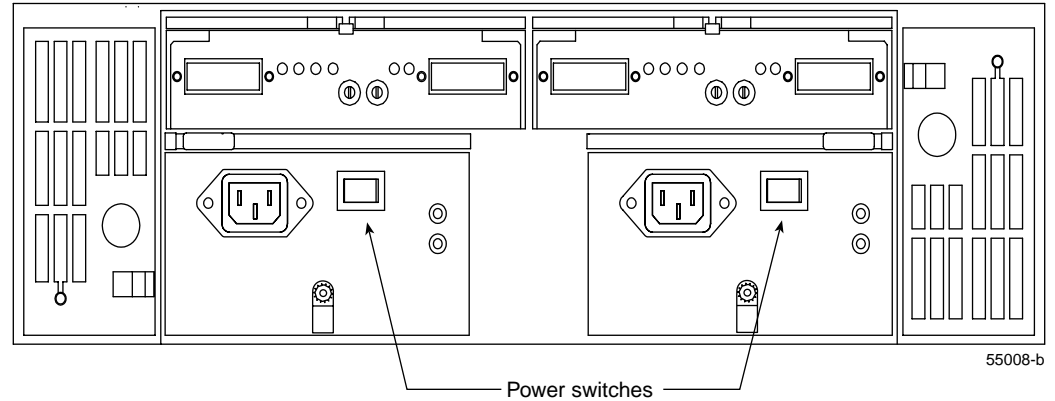


Figure 8-17 Power Switches on the Drive Enclosure

10. Turn on both power switches on the rear of each controller enclosure (see Figure 8-18).

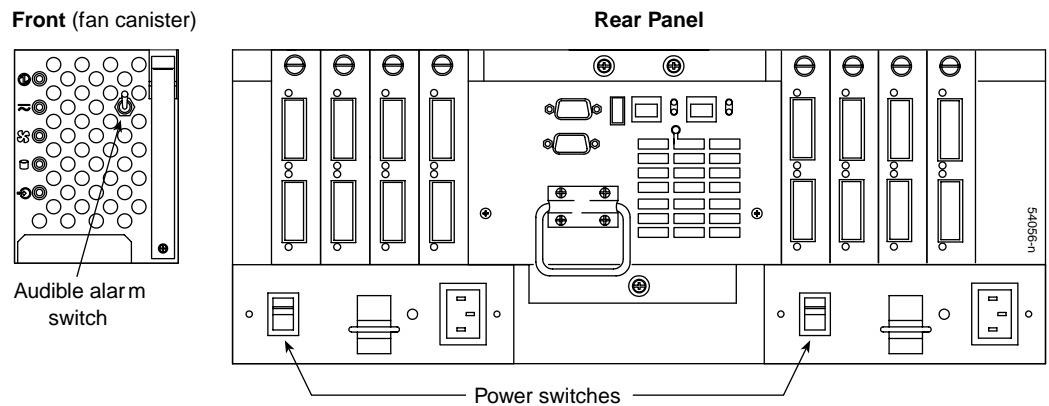


Figure 8-18 Power Switches and Alarm Switch on the Controller Enclosure

11. Arm the optional alarm switch by setting it to the up position (see Figure 8-18).
12. When all controller and drive enclosure power switches are in the on position, flip the breaker switches of both PDUs to the on position.
13. Check the indicator lights on the front and rear of each component. If any lights indicate a fault, see “Checking the Controller Enclosure Indicator Lights” on page 33 and “Checking the Indicator Lights” on page 89.

Specifications and Requirements

This appendix describes the technical specifications and requirements of the system rack and components in the following sections:

- “Rack Specifications” on page 143
- “Controller Enclosure Specifications” on page 154
- “Drive Enclosure Specifications” on page 159

Rack Specifications

The system is housed in a 22-inch wide rack that contains two AC distribution boxes. Standard EIA rails provide mounting holes for installing 19-inch wide devices. There are roller casters and stability feet on the bottom of the rack for moving and leveling during installation and relocation.

Figure A-1 shows a fully populated rack that contains ten 14-drive enclosures and two controller enclosures mounted in a 72-inch high rack.

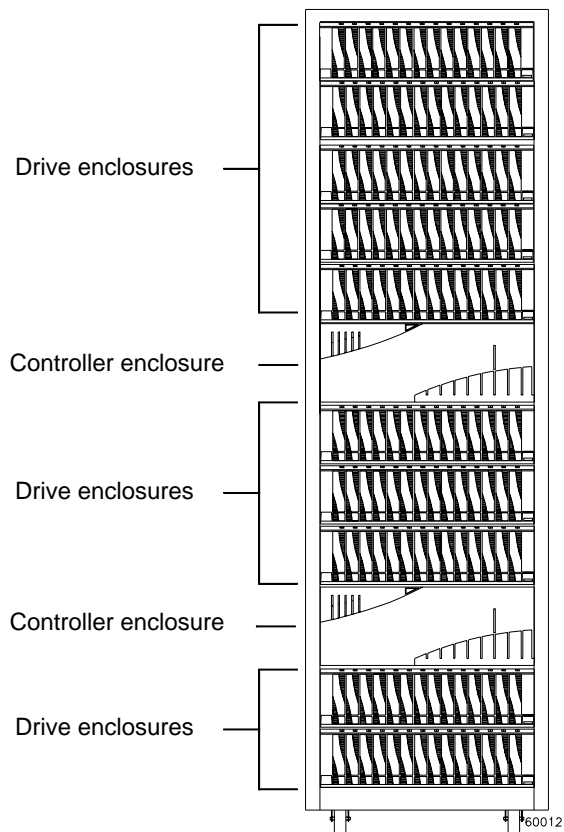


Figure A-1 Rack Controller Enclosures and Drive Enclosures

For more information on installation and cabling schemes, see the following documents:

- *SGI TP9400 RAID Installation and Upgrade Guide (108-0292-00X)*
- *SGI TP9500 RAID Installation and Upgrade Guide (108-0375-00X)*

Dimensions

Figure A-2 shows the system rack and its dimensions.

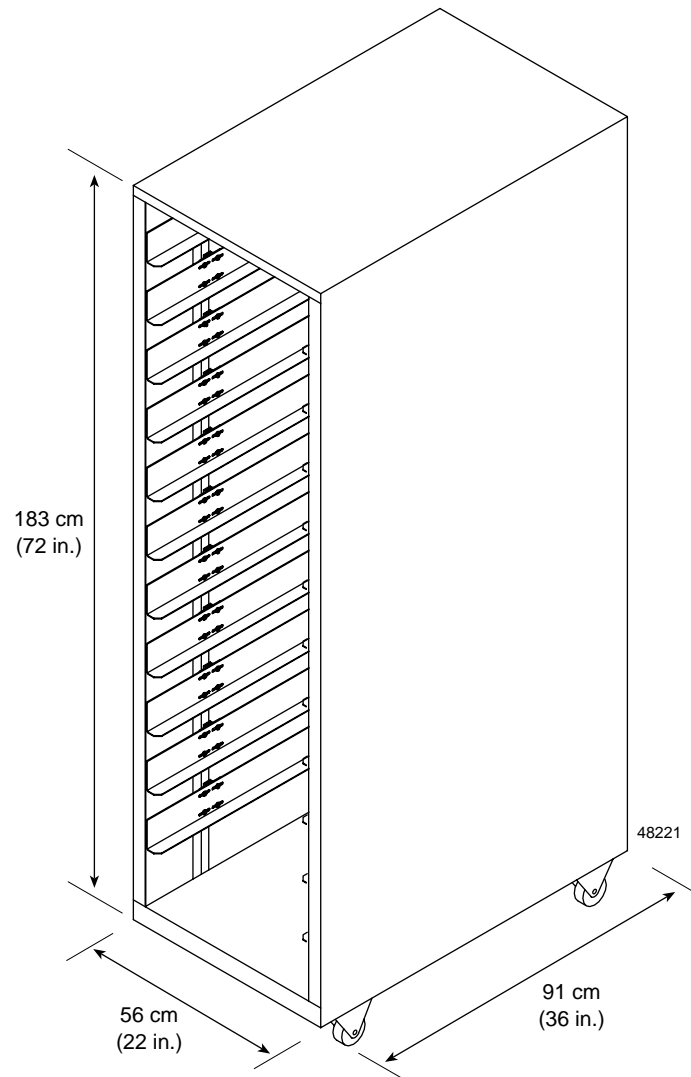


Figure A-2 Dimensions of the System Rack

Weight

The total weight of the system depends on the type and quantity of enclosures installed. Table A-1 lists the overall weight of the rack, plus the maximum weights for the controller enclosures and drive enclosures. You can use these weights to estimate the total weight of your system, based on the number of devices installed in the rack.

Table A-1 Rack, Crate, and Enclosure Weights

Rack (Empty)	Crate (Empty)	Controller Enclosure (Maximum)	Drive Enclosures (Maximum)	Drive Enclosures (Maximum)
121.0 kg (270.0 lb)	97.0 kg (215.0 lb)	44.0 kg (97.0 lb)	10-Drive Enclosure	10-Drive Enclosure
			18-GB drives	38.6 kg (85.0 lb)
			36-GB drives	37.2 kg (82.0 lb)
			73-GB drives	40.4 kg (89.0 lb)
			180-GB drives	42.8 kg (94.0 lb)
			14-Drive Enclosure	14-Drive Enclosure
			18-GB drives	40.4 kg (89.0 lb)
			36-GB drives	40.4 kg (89.0 lb)
			73-GB drives	42.1 kg (93.0 lb)

Area Requirements

The floor area at the installation site must provide the following:

- Enough stability to support the weight of the system and installed devices (see Table A-2).
- Sufficient space to install and service the rack and components (see Figure A-3).

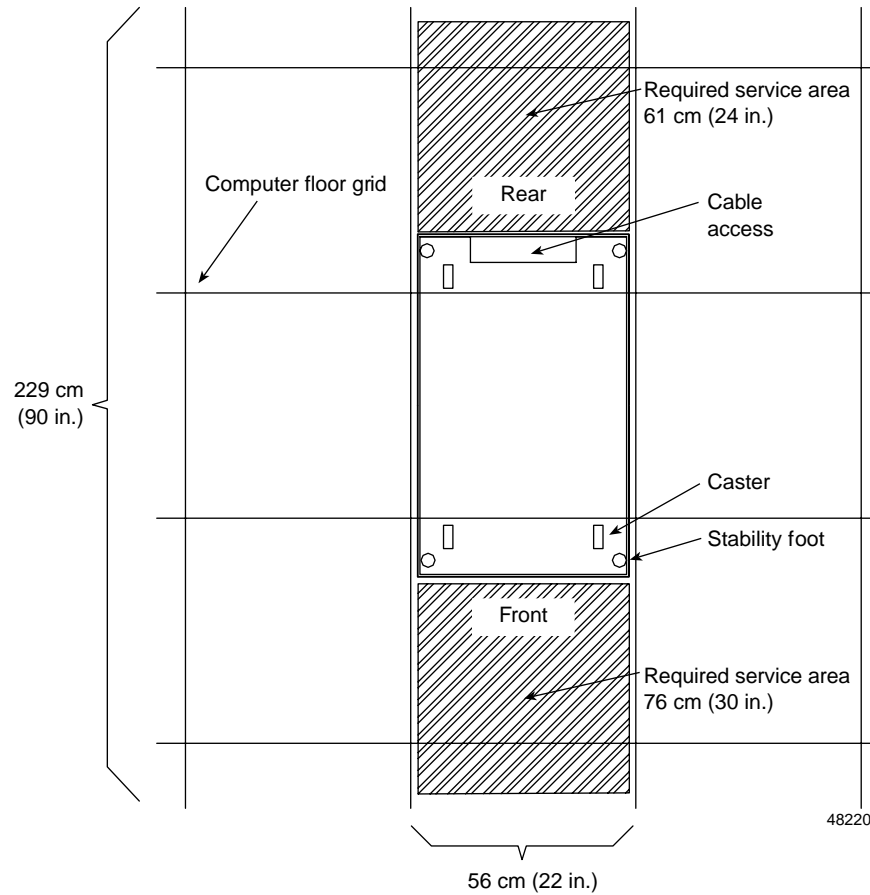


Figure A-3 System Area Requirements

Table A-2 System Weights with Typical Configurations

Configuration	Number of Enclosures per Configuration	Weight of Each Enclosure	Total Weight (Including Rack)
Configuration A	1 controller enclosure and 5 14-drive enclosures with 36-GB drives	44.0 kg (97.0 lb) 40.4 kg (89.0 lb)	368.0 kg (807 lb)
Configuration B	2 controller enclosures and 10 14-drive enclosures with 36-GB drives	44.0 kg (76.0 lb) 40.4 kg (89.0 lb)	619.0 kb (1347 lb)

Wiring and Power

The rack's AC distribution boxes use common industrial wiring. Consider the following site wiring and power source requirements:

- **AC power source:** The AC power source must provide the correct voltage, current, and frequency specified on the manufacturer's name plate.
- **Earth ground:** You must have an earth grounding conductor to the rack's power receptacles.
- **Circuit overloading:** Make sure the power circuits and associated circuit breakers provide sufficient power and overload protection. To prevent possible damage to the AC distribution boxes and other components in the rack, isolate its power source from large switching loads (such as air conditioning motors, elevator motors, and factory loads).
- **Enclosure power distribution:** There are two accessory outlets inside the rack for enclosure power distribution. All units attached to these outlets must be auto-ranging between 180-257 VAC, 50-60 Hz.
- **Power interruptions:** The system and its enclosures will withstand the following applied voltage interruptions (with or without an integrated UPS):
 - **Input transient:** 50% of nominal voltage
 - **Duration:** One half cycle
 - **Maximum frequency:** Once every ten seconds

- **Power failures:** After total power failure, the SGI TP9400 and SGI TP9500 enclosures will automatically perform a power-up recovery without operator intervention, once power is restored.

Power Requirements

Table A-3 and Table A-4 lists the power requirements for the rack.

Table A-3 AC Power Requirements (Domestic and International)

Unit of Measure	Requirement
AC distribution, 250 VAC, 16 A	Approved IEC 320-C19 connector
Domestic, 250 VAC, 30 A	NEMA L6-30P locking plug, 6-30R receptacle (2)
International, 230 VAC, 32 A	IEC 309 locking plug; IEC 309 receptacle (2)
Voltage range	180 to 257 VAC
Frequency	49 to 50.5 Hz or 59 to 60.6 Hz
Current specified at volt/freq	220/50/60
Circuit breaker	20 A

Table A-4 AC Power Requirements for Typical Configurations

Current	Configuration A ^a	Configuration B ^b	Configuration C ^c
Operating current	7.35 A	14.7 A	13.16 A
Surge current	10.95 A	21.9 A	22.20 A

a. Configuration A contains 1 controller enclosure and 5 drive enclosures.

b. Configuration B contains 2 controller enclosure and 10 drive enclosures.

c. Configuration C contains 3 controller enclosure and 8 drive enclosures.

Power Distribution Units

The rack has two PDUs (power distribution units). Each PDU has its own power cord. Because of limited space inside the rack, it may be easier to connect and route power cords before installing the support rails, controller or drive enclosures.

To ensure redundancy, connect the PDUs in the rack to independent power sources. Connect one power cord from each controller and drive enclosure to each PDU in the rack (see Figure A-4).

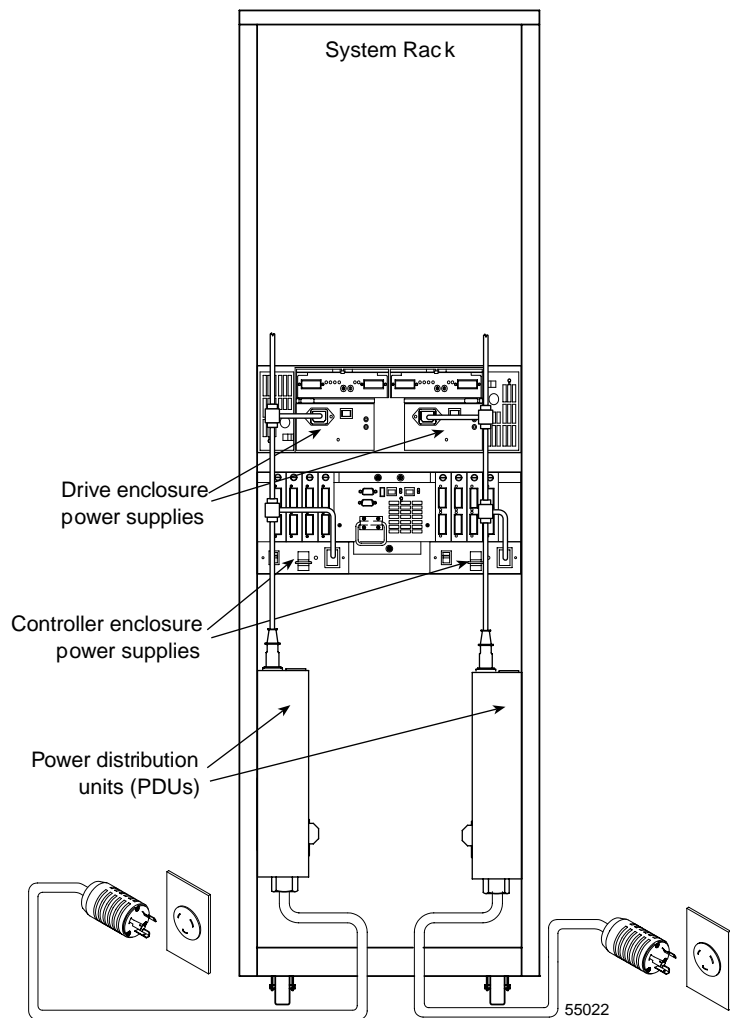


Figure A-4 Power Connections to Controller and Drive Enclosures

Power Cords and Receptacles

The rack is shipped with three types of power cords:

- **Component power cord:** Connects from each component to the PDU.
- **Domestic power cord:** Connects from the PDU to an independent 20 A circuit breaker.
- **International power cord:** Connects from the PDU to an independent 20 A circuit breaker.

The power distribution unit has two outlets for connecting the power cords from devices installed in the rack. Figure A-5 shows the connectors and receptacles for these cords.

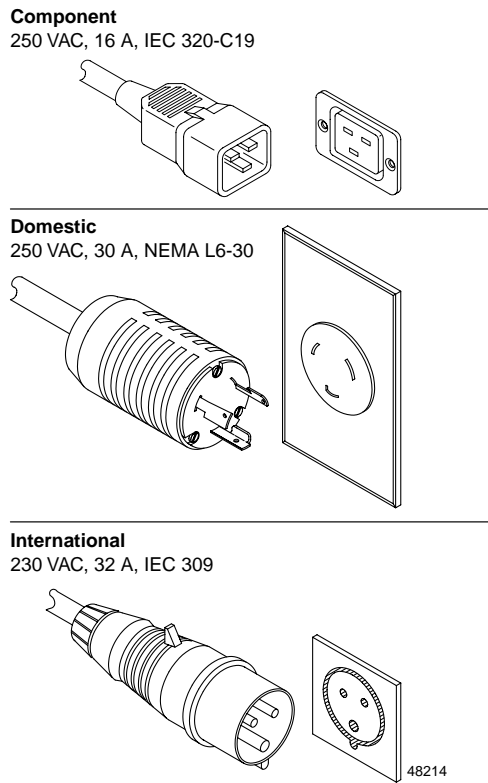


Figure A-5 AC Power Connectors and Receptacles

Environmental

Table A-5, Table A-6, and Table A-7 list the environmental requirements for the SGI TP9400 and SGI TP9500.



Caution: If you receive the rack and enclosures in cold weather (below 32 °F (0 °C)), leave them crated for at least 24 hours to prevent condensation. This 24-hour stabilization period can be modified either up or down, depending on the outside temperature at arrival.

Table A-5 Environmental Requirements

Environment	Unit of Measure	Requirement
Air flow	N/A	Air flow is from front to rear
Temperature	Operating range Storage range Transit range	10 °C to 35 °C (50 °F to 10 °F) -10 °C to 50 °C (14 °F to 122 °F) -40 °C to 60 °C (-40 °F to 140 °F)
Temperature change (maximum allowed)	Operating Storage Transit	10 °C per hour (21 °F per hour) 15 °C per hour (31 °F per hour) 20 °C per hour (42 °F per hour)
Relative humidity (no condensation)	Operating range Storage range Transit range Max. dew point Max. humidity gradient	20% to 80% 10% to 90% 5% to 95% 28° C (82° F) 10% per hour
Noise Level	Steady Non-steady Normal operation	6.8 bels (maximum) 6.8 bels (maximum) 65 dBA

Table A-6 Altitude Requirements

Environment	Unit of Measure	Requirement below Sea Level	Requirement above Sea Level
Altitude	Operating range Storage range Transit range	30.5 m (100 ft.) 30.5 m (100 ft.) 30.5 m (100 ft.)	3,000 m (9,840 ft.) 3,000 m (9,840 ft.) 12,000 m (40,000 ft.)

Table A-7 Heat Dissipation Requirements

Environment	Unit of Measure	Requirement
Heat dissipation	Configuration A ^a	
	18-GB drives	1.43 kVA 1442.5 W 4929.5 Btu/hr
	36-GB drives	1.43 kVA 1442.5 W 4929.5 Btu/hr
	73-GB drives	1.69 kVA 1697.5 W 5797.5 Btu/hr
	180-GB drives	1.45 kVA 1439 W 4912 Btu/hr
	Configuration B ^b	
	18-GB drives	2.87 kVA 2885 W 9855 Btu/hr
	36-GB drives	2.87 kVA 2885 W 9855 Btu/hr
	73-GB drives	3.37 kVA 3395 W 11595 Btu/hr
	180-GB drives	2.90 kVA 2878 W 9824 Btu/hr

a. 1 controller enclosure, 5 drive enclosures.

b. 2 controller enclosures, 10 drive enclosures.

Controller Enclosure Specifications

This section lists the dimensions and weights, as well as the wiring, power, environmental, and airflow requirements for the controller enclosures.

Dimensions

Make sure that the installation site provides a minimum of two feet of space around each side of the rack to install and service the controller enclosure, and to allow adequate ventilation during operation. Figure A-6 shows the dimensions for the controller enclosure and the front cover.

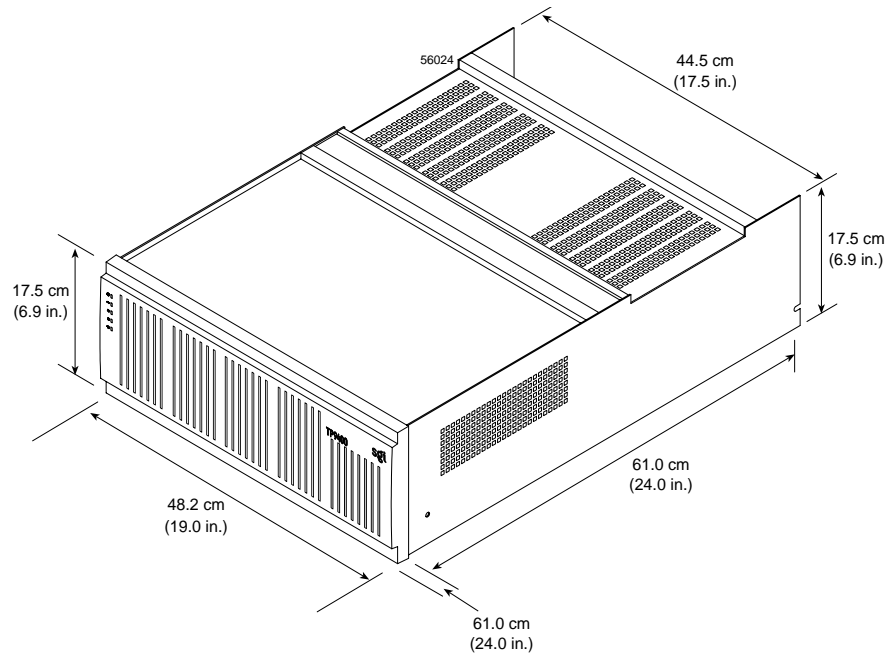


Figure A-6 Dimensions of the Controller Enclosure

Weights

Ensure that the floor space at the installation site has sufficient stability to support the maximum weight of the controller enclosure and associated equipment. The controller enclosure's total weight depends on the number of canisters in the enclosure. Table A-8 and Table A-9 lists the unit and shipping weight of the controller enclosure and the weight of the individual canisters.

Table A-8 Controller Enclosure Weights

Maximum Weight ^a	Empty Weight ^b	Maximum Shipping Weight ^c	Empty Shipping Weight ^d
44.0 kg (97.0 lb)	18.1 kg (39.8 lb)	54.9 kg (121.0 lb)	29.0 kg (63.8 lb)

a. Includes a controller enclosure containing all applicable canisters.

b. Includes a controller enclosure with all canisters removed.

c. Includes the shipping carton and a fully configured controller enclosure.

d. Includes the shipping carton and a controller enclosure containing no canisters.

Table A-9 Controller Canister Weights

Canister	Weight	Shipping Weight
Controller	3.0 kg (6.6 lb)	5.0 kg (11.0 lb)
Battery	9.7 kg (21.4 lb)	11.8 kg (26.0 lb)
Controller Fan	0.9 kg (1.9 lb)	2.3 kg (5.0 lb)
Fan/Communications	1.84 kg (4.1 lb)	2.5 kg (5.4 lb)
Power Supply	1.5 kg (3.3 lb)	2.9 kg (6.5 lb)
SFP Minihub	0.6 kg (1.3 lb)	0.7 kg (1.6 lb)

Wiring and Power

The controller enclosure is a 120/220 VAC, 50/60 Hz unit that meets standard voltage requirements for both domestic (USA) and international operation. It uses standard industrial wiring with a line-to-neutral power connection (Table A-10). Review the following specifications when preparing the controller enclosure installation site:

- **Earth ground:** The unit must be properly grounded, including an earth ground conductor on the AC power source.
- **Circuit overloading:** Make sure the power circuits and associated circuit breakers in the rack and building provide sufficient power and overload protection. To prevent possible damage to the unit, isolate its power source from large switching loads (for example, air conditioning motors, elevator motors, factory equipment, and so on).
- **Power interruptions:** The unit will withstand the following voltage interruptions:
 - **Input transient:** 50% of nominal voltage
 - **Duration:** One half-cycle
 - **Minimum frequency:** Once every 10 seconds
- **Power failures:** Once power is restored after a complete power failure, the unit automatically performs a power-up recovery sequence without operator intervention.
- **Power supply voltage range:** The wide-ranging, redundant 175 W power supplies operate on 90–264 VAC at 50 or 60 Hz. The power supplies meet domestic and international requirements and can operate at any voltage within the specified range.

Table A-10 Site Wiring Voltages for Controller Enclosures
(Single-Phase Line-to-Neutral)

50 Hz	Nominal	100	127	220	230	240
	Minimum	90	114	198	207	216
	Maximum	107	136	235	246	264
60 Hz	Nominal	100	120			
	Minimum	90	104			
	Maximum	107	127			

Environmental

Table A-11 and Table A-12 lists the environmental requirements for the controller enclosure.

Table A-11 Altitude Requirements for Controller Enclosures

Condition	Range	Requirement below Sea Level	Requirement above Sea Level
Altitude ^a	Operating	30.5 m (100 ft.)	3,048 m (10,000 ft.)
	Storage	30.5 m (100 ft.)	3,048 m (10,000 ft.)
	Transit	30.5 m (100 ft.)	12,000 m (40,000 ft.)

a. If planning to operate the controller enclosure at altitudes between 1,000 m (3,280 ft.) and 3,000 m (9,850 ft.), lower the environmental temperature 1.7 °C (3.3 °F) for every 1,000 m (3,280 ft.) above sea level.

Table A-12 Environmental Requirements for Controller Enclosures

Condition	Range	Requirement
Temperature	Operating	10 °C to 40 °C (32 °F to 109 °F)
	Storage	-10 °C to 65 °C (14 °F to 149 °F)
	Transit	-40 °C to 65 °C (-40 °F to 149 °F)
Maximum temperature change allowed	Operating	1 °C (18 °F) per hour
	Storage	15 °C (27 °F) per hour
	Transit	20 °C (36 °F) per hour

Table A-12 Environmental Requirements for Controller Enclosures **(continued)**

Condition	Range	Requirement
Relative humidity (no condensation)	Operating	20% to 80%
	Storage	10% to 93%
	Transit	5% to 95%
	Maximum dew point	26 °C (79 °F)
	Maximum humidity Gradient	10% per hour
Heat Dissipation	557.5 Btu/hr (.1925 kVA or 192.5 W)	
Sound	Power	6.5 bels
	Pressure	65 dBA

Air Flow

Figure A-7 shows the air flow in the controller enclosure. Make sure your installation site will allow the controller enclosure adequate ventilation during operation.

Important: Allow a minimum of two feet of clearance in front of and behind the controller enclosure for proper ventilation and servicing.

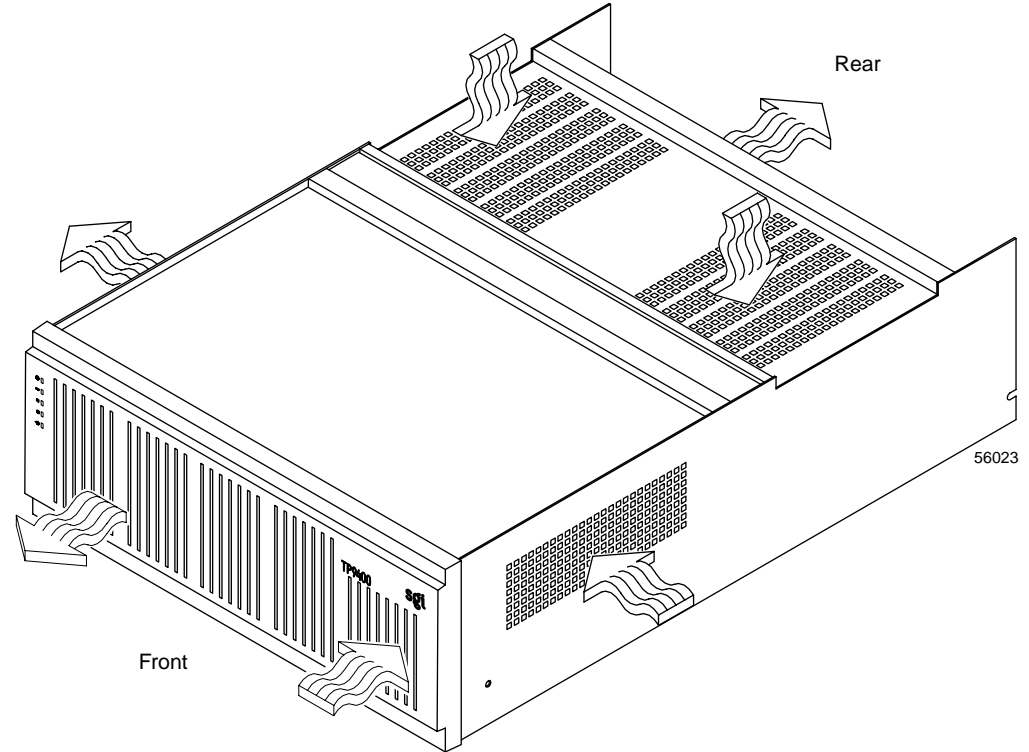


Figure A-7 Air Flow in the Controller Enclosure

Drive Enclosure Specifications

This section lists the dimensions and weights, as well as the wiring, power, environmental, and airflow requirements for the 10- and 14-drive enclosures.

Dimensions

Make sure the installation site provides a minimum of two feet of space around the rack to install and service the drive enclosures and to allow adequate ventilation during operation. Figure A-8 shows the dimensions of the 10-drive enclosure; Figure A-9 shows the dimensions of the 14-drive enclosure.

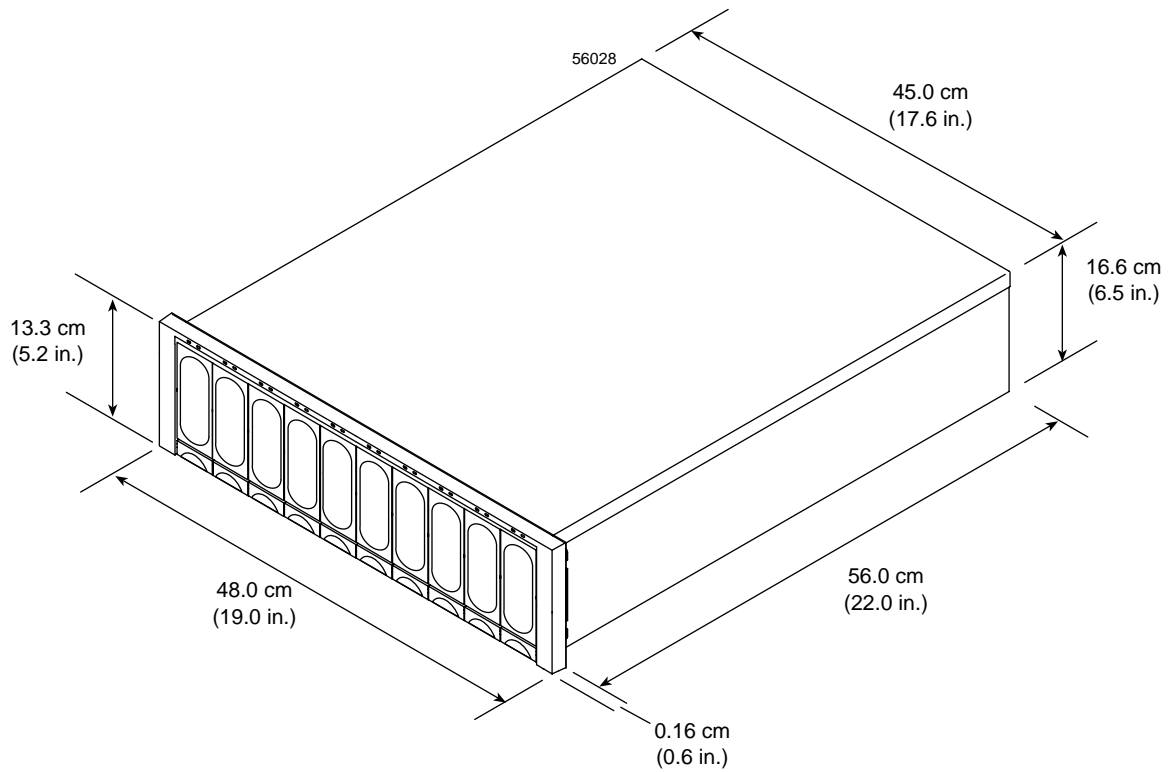


Figure A-8 Dimensions of the 10-Drive Enclosure

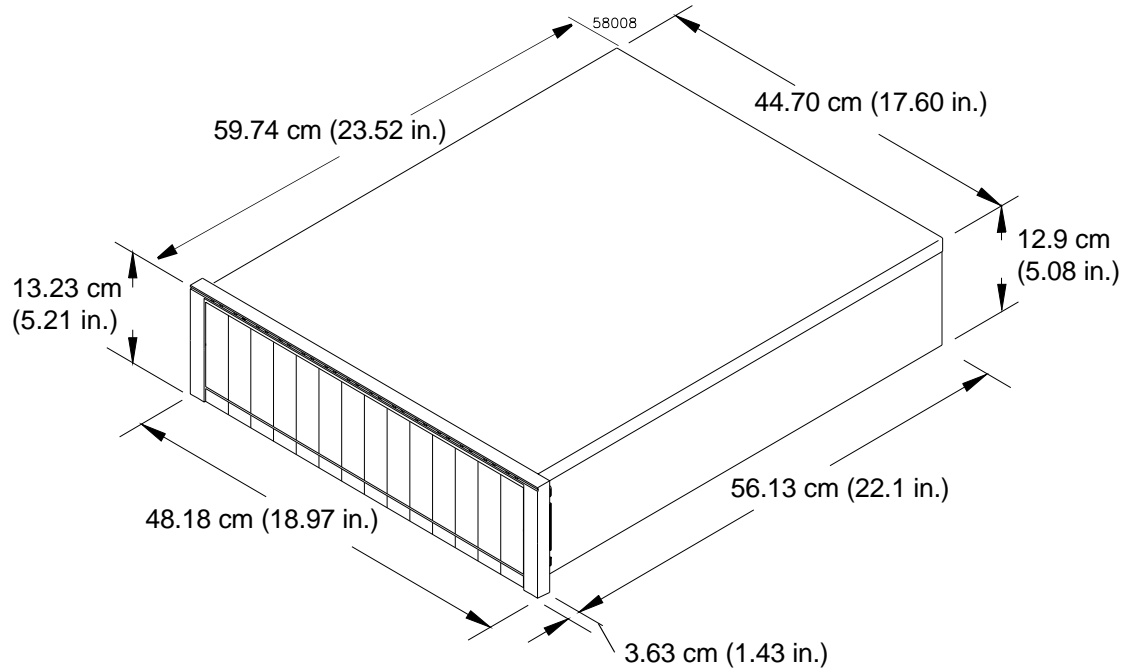


Figure A-9 Dimensions of the 14-Drive Enclosure

Weights

Ensure that the site's floor can support the total weight of all drive enclosures and associated equipment. The drive enclosure's total weight depends on the number of canisters in the enclosure. Table A-13 and Table A-14 list the unit and shipping weights for individual canisters and the weights of minimum, maximum, and empty drive enclosure configurations in both the 10- and 14-drive enclosures.

Table A-13 10-Drive Enclosure Weights

Unit	Minimum^a	Maximum^b	Empty^c	Shipping^d
10-Drive enclosure (18 GB)	30.4 kg (67.0 lb)	38.6 kg (85.0 lb)	12.7 kg (28.0 lb)	51.3 kg (113.0 lb)
10-Drive enclosure (36 GB)	29.9 kg (66.0 lb)	37.2 kg (82.0 lb)	12.7 kg (28.0 lb)	50.4 kg (111.0 lb)
10-Drive enclosure (73 GB)	31.3 kg (69.0 lb)	40.4 kg (89.0 lb)	12.7 kg (28.0 lb)	53.1 kg (117.0 lb)
10-Drive enclosure (181 GB)	36.18 kg (80.0 lb)	42.8 kg (94.0 lb)	12.7 kg (28.0 lb)	55.4 kg (122.0 lb)
Empty drive canister	1.4 kg (3.0 lb)			
Environmental card canister	1.8 kg (4.0 lb)			
Power supply canister	2.5 kg (5.4 lb)			
Fan canister	1.0 kg (2.2 lb)			

- a. Contains four drive canisters, two environmental card canisters, two fan canisters, and two power supply canisters.
- b. Contains 10 drive canisters, two environmental card canisters, two fan canisters, and two power supply canisters.
- c. Drive enclosure weight with all canisters removed.
- d. Includes shipping carton and fully configured drive enclosure.

Table A-14 14-Drive Enclosure Weights

Unit	Minimum ^a	Maximum ^b	Empty ^c	Shipping ^d
14-Drive enclosure (18 GB)	30.4 kg (67.0 lb)	38.6 kg (85.0 lb)	12.7 kg (28.0 lb)	51.3 kg (113.0 lb)
14-Drive enclosure (36 GB)	29.9 kg (66.0 lb)	37.2 kg (82.0 lb)	12.7 kg (28.0 lb)	50.4 kg (111.0 lb)
14-Drive enclosure (73 GB)	31.3 kg (69.0 lb)	40.4 kg (89.0 lb)	12.7 kg (28.0 lb)	53.1 kg (117.0 lb)
Empty drive canister	1.4 kg (3.0 lb)			
Environmental card Canister	1.8 kg (4.0 lb)			
Power supply canister	2.5 kg (5.4 lb)			
Fan canister	1.0 kg (2.2 lb)			

a. Contains four drive canisters, two environmental card canisters, two fan canisters, and two power supply canisters.

b. Contains 10 drive canisters, two environmental card canisters, two fan canisters, and two power supply canisters.

c. Drive enclosure weight with all canisters removed.

d. Includes shipping carton and fully configured drive enclosure.

Wiring and Power

The drive enclosure is a 120/220 VAC, 50/60 Hz unit that meets standard voltage requirements for domestic and international operation. It uses standard industrial wiring with a line-to-neutral power connection (see Table A-15). When installing a drive enclosure, review the following specifications:

- **Earth ground:** The drive enclosure requires an earth ground conductor on the AC power source.

- **AC power source** — The AC power source must provide the correct voltage, current, and frequency specified by the manufacturer. If the drive enclosure will be plugged into an internal AC distribution unit, make sure the internal unit can handle the drive enclosure power requirements.
- **Redundant AC Power, nominal 100 volt:** To meet power requirements and maintain power redundancy, connect the drive enclosure to 90 – 136 volt, 15 amp. circuits as follows,
 - **Up to three drive enclosures:** Use two, 90–136 volt, 15 amp. circuits. On each drive enclosure, connect one power supply to one circuit and the other power supply to the second circuit.
 - **Four or more drive enclosures:** Use four 90–136 volt, 15 amp. circuits. Connect half of the drive enclosures to two circuits and the remaining drive enclosures to the other two circuits. Make sure each drive enclosure connects to two different circuits (one per power supply).
- **Redundant AC power, nominal 240 volt:** Use two 200–264 volt, 15 A circuits. Connect one power supply from each drive enclosure to one circuit and the other power supplies to the second circuit.
- **Power supply voltage ranges:** The auto-ranging power supplies automatically match the voltage range (120 VAC or 220 VAC) to the AC power source. You can switch the power supplies to alternate voltages (120 VAC to 220 VAC power sources) an unlimited number of times.



Warning: Wait at least 10 seconds between each voltage change before powering up the drive enclosure to prevent damaging the power supplies.

Table A-15 Site Wiring Voltages for Drive Enclosures
(Single-Phase Line-to-Neutral)

50 Hz	Nominal	100	127	220	230	240
	Minimum	90	114	198	207	216
	Maximum	107	136	235	246	264
60 Hz	Nominal	100	120			
	Minimum	90	104			
	Maximum	107	127			

Environmental

Table A-16 and Table A-17 lists the environmental requirements for the drive enclosure.

Table A-16 Drive Enclosure Altitude Requirements

Condition	Range	Requirement below Sea Level	Requirement above Sea Level
Altitude ^a	Operating	30.5 m (100 ft.)	3,000 m (9,840 ft.)
	Storage	30.5 m (100 ft.)	3,000 m (9,840 ft.)
	Transit	30.5 m (100 ft.)	12,000 m (40,000 ft.)

a. If operating the drive enclosure at altitudes between 1,000 m and 3,000 m (3,280 ft. and 9,850 ft.), lower the temperature by 1.7 °C (3.3 °F) for every 1,000 m (3,280 ft.) above sea level.

Table A-17 Environmental Requirements for Drive Enclosures

Condition	Range	Requirement
Temperature	Operating	10 °C to 40 °C (50 °F to 104 °F)
	Storage	-10 °C to 50 °C (14 °F to 122 °F)
	Transit	-40 °C to 60 °C (-40 °F to 140 °F)
Maximum Temperature Change Allowed	Operating	10 °C (18 °F) per hour
	Storage	15 °C (27 °F) per hour
	Transit	20 °C (36 °F) per hour
Relative humidity (no Condensation)	Operating	20% to 80%
	Storage	10% to 90%
	Transit	5% to 95%
	Max. dew point	26 °C (79 °F)
	Max. humidity Gradient	10% per hour
Average heat dissipation	Low-profile drive	854.0 Btu/hr (0.248 kVA or 250.0 W)
	Half-height drive	1028.0 Btu/hr (0.298 kVA or 301.0 W)
Sound	Idle	Power: 6.5 bels Pressure: 65 dBA
	Operating	Power: 6.8 bels Pressure: 68 dBA

Air Flow

Figure A-10 shows the air flow in the drive enclosure. Make sure your installation site will allow the drive enclosure adequate ventilation during operation.

Important: Allow a minimum of two feet of clearance in front of and behind the drive enclosure for proper ventilation and servicing.

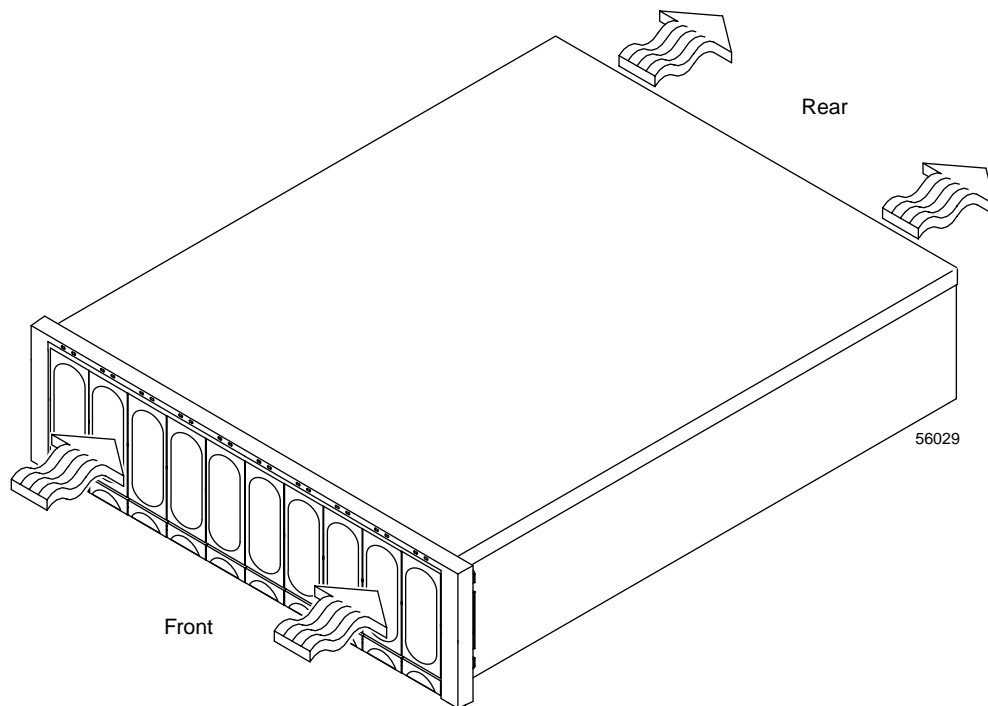


Figure A-10 Air Flow in the Drive Enclosure

Note: The enclosure shown in Figure A-10 is a 10-drive enclosure. The air flow in 14-drive enclosures is similar.

SGI Field Engineering Compliance Statements

Electromagnetic Emissions

The equipment described in this guide complies with the Class A limits of Part 15 of the FCC Rules. Operation is subject to the following two conditions:

1. This device may not cause harmful interference.
2. This device must accept any interference received, including interference that may cause undesired operation.

This equipment does not exceed the Class A limits of Canada's Department of Communications Radio Interference Regulations for radio noise emissions.

This device complies with Class A electromagnetic emissions limits of C.I.S.P.R. Publication 22, Limits and Methods of Measurement of Radio Interference Characteristics of Information Technology Equipment, Germany's BZT Class A limits for Information Technology Equipment, and with Japan's VCCI Class A limits.



Caution: Do not modify this product in any way that is not expressly approved by Silicon Graphics, Inc. If you do, you may lose your FCC or other government agency authority to operate this device.

Radio and Television Interference

The equipment described in this guide generates and uses radio frequency energy. If it is not installed and used in accordance with the instructions in this guide, it can cause radio and television interference.

This equipment has been tested and complies with the limits for a Class A computing device in accordance with the specifications in Part 15 of FCC rules. These specifications

are designed to provide reasonable protection against such interference in an industrial or office installation. However, there is no guarantee that the interference will not occur in a particular installation. This system is not certified for home use.

You can determine whether your system is causing interference by turning it off. If the interference stops, it was probably caused by the workstation or one of the peripherals. To tell if the interference is caused by one of the peripherals, try disconnecting one peripheral at a time to see if the interference stops. If it does, that peripheral is the cause of the interference.

If your workstation does cause interference to radio or television reception, try to correct the interference by using one or more of the following suggestions:

- Turn the television or radio antenna until the interference stops.
- Move the workstation to one side or the other of the radio or television.
- Move the system farther away from the radio or television.
- Plug the system into an outlet that is on a different circuit from the radio or television. (Make certain the workstation and the radio or television are on circuits controlled by different circuit breakers or fuses.)

Product Safety

This product has been tested and is listed, certified, or approved to the following product safety standards:

- UL 1950
- CAN/CSA C22.2, No. 950-M89
- IEC 950
- EN 60 950
- Standard for Safety of Information Technology Equipment, including Electrical Business Equipment, Class 1, SELV

Electrostatic Discharge

SGI designs and tests its products to be immune to effects of electrostatic discharge (ESD). ESD is a source of electromagnetic interference and can cause problems ranging from data errors and lockups to permanent component damage.

It is important that while you are operating this equipment you keep all the covers and doors, including the plastics, in place. The shielded cables that came with the system and its peripherals should be installed correctly, with all thumbscrews fastened securely.

An ESD wrist strap is included with some products, such as memory and graphics upgrades. The wrist strap is used when installing these upgrades to prevent the flow of static electricity, and it should protect your system from ESD damage.

Shielded Cables

The equipment described in this guide is FCC-compliant under test conditions that include the use of shielded cables between it and its peripherals. This equipment and any peripherals you purchase from SGI have shielded cables. Shielded cables reduce the possibility of interference with radio, television, and other devices. If you use any cables that are not from SGI, make sure they are shielded. Telephone cables do not need to be shielded.

In Germany, a shielded cable must be used on the Ethernet 10BaseT port.

The monitor cable supplied with your system uses additional filtering molded into the cable jacket to reduce radio frequency interference. Always use the cable supplied with your system. If your monitor cable becomes damaged, a replacement cable should be obtained from SGI. (From the "POWER Onyx Rackmount Owner's Guide.")

FCC Warning

This equipment complies with Part 15 of the FCC Rules. Operation is subject to the following two conditions:

1. This device may not cause harmful interference, and
2. This device must accept any interference received, including interference that may cause undesired operation.

Note: This equipment has been tested and found to comply with the limits for a Class A digital device, pursuant to Part 15 of FCC rules. These limits are designed to provide reasonable protection against harmful interference in a commercial environment. This equipment generates, uses and can radiate radio frequency energy, and if not installed and used in accordance with the instructions, may cause harmful interference to radio communications. Operation of this equipment in a residential area is likely to cause harmful interference in which case the users will be required to correct the interference at their own expense.

If this equipment does cause harmful interference to radio or television reception, which can be determined by turning the equipment off and on, the user is encouraged to try to correct the interference by one or more of the following measures:

- Reorient or relocate the receiving antenna
- Increase the separation between the equipment and the receiver
- Connect the equipment into an outlet on a circuit different from that to which the receiver is connected
- Consult the dealer of an experienced radio/TV technician for help



Caution: The user is cautioned that changes or modifications to the equipment not expressly approved by the party responsible for compliance could void the user's authority to operate the equipment.

EMI Collar

For increased radiated emissions margin, you may install an EMI collar to your optical Fibre Channel card. Contact your SGI service representative and ask for SGI part number 0403370-001.

VDE 0871/6.78

The equipment described in this guide has been tested to and is in compliance with the Level A limits per VDE 0871.

European Union Statement

This device complies with the European Directives listed on the “Declaration of Conformity” which is included with each product. The CE mark insignia displayed on the device is an indication of conformity to the aforementioned European requirements.



International Special Committee on Radio Interference (CISPR)

The equipment described in this guide has been tested to and is in compliance with the Class A limits per CISPR publication 22.

Canadian Department of Communications Statement

This digital apparatus does not exceed the Class A limits for radio noise emissions from digital apparatus as set out in the Radio Interference Regulations of the Canadian Department of Communications.

Attention

Cet appareil numérique n'émet pas de perturbations radioélectriques dépassant les normes applicables aux appareils numériques de Classe A prescrites dans le Règlement sur les interférences radioélectriques établi par le Ministère des Communications du Canada.

Japanese Class A Compliance Statement

この装置は、情報処理装置等電波障害自主規制協議会 (VCCI) の基準に基づくクラス A 情報技術装置です。この装置を家庭環境で使用すると電波妨害を引き起こすことがあります。この場合には使用者が適切な対策を講ずるよう要求されることがあります。

Index

A

- AC power connections, 150
- air flow, 13, 77, 158, 166
 - overheating, 18, 79
- alarm switch, 142
- altitude specifications, 157, 165
- area requirements, rack, 146
- array management, 136
- auto synchronize of controllers, 9
- auto-ranging power supplies, 164

B

- battery canister, 11, 53
 - backup, 11
 - hot swapping, 11
 - installing/removing, 51
 - label, 40
 - life expectancy, 11, 40
 - precaution, servicing, 52
 - problems, 12, 36
 - service date, 40
 - service label, 12, 40
 - warranty, 52
- bypass indicators, 39, 40, 94, 96
 - failed SFP transceiver and, 109

C

- cabling (*see* connections)
- cache memory
 - battery, 11, 52
 - data loss if power shutdown, 19
- condensation, 158, 165
- connections
 - controller enclosure
 - AC power, 150
 - diagnostic interface, 17
 - drive interface, 22
 - Fibre Channel, 8
 - power cords, 139
 - direct host cabling, 129
 - drive enclosure
 - AC power, 150
 - Fibre Channel, 109
 - power cord clips, 140
 - power cords, 139
 - drive loop cables, 121
 - Ethernet, 136
 - fabric/switch host cabling, 133
 - Fibre Channel, 81, 110, 129-138
 - host interface, 21
 - PDU to AC power, 141
 - power cords and receptacles, 150
 - rack to AC power, 150
 - RS-232, 136
 - to hosts, 129
 - to PDU, 139, 141

- controller canister, 8, 48, 50
 - cooling fans, 12
 - firmware, auto synchronize, 9
 - hot swapping, 8
 - indicator lights, 33-40
 - installing/removing, 45
 - location, 8
 - redundant pair, 8
 - slot number, 8
- controller enclosure
 - altitude specifications, 157
 - checking status with software, 32
 - condensation specifications, 158
 - connecting cables, 121
 - cooling, 158
 - dew point specification, 158
 - dimensions, 154
 - environmental specifications, 157
 - fault indicators (*see* indicator lights)
 - features, 10
 - front cover, 25
 - humidity specifications, 158
 - indicator lights, 33-40
 - noise level specifications, 158
 - overheating, 18, 19
 - overtemp condition, 28
 - power requirements, 156
 - power supply shutdown, 28
 - preparing for move, 41
 - pressure (sound) requirements, 158
 - relocating, 41
 - removing from rack, 42
 - SFP transceiver and fault indicators, 109
 - shutting down, 32
 - support rails, 43
 - turning power off, 31
 - turning power on, 26, 27
 - weights, 155
 - wiring, 156

- controller fan canister, 12, 56
 - hot swapping, 15
 - indicator lights, 12
 - installing/replacing, 55
 - time limit for replacing, 15
- cooling, 12, 13, 77, 158, 165
- customer service, xxi

D

- data loss in controller enclosure, 19
- data protection during power outage, 11, 52
- dates on battery, 40
- dBa (decibelampere), 158
- dew point specification, 158, 165
- diagnostic interface connectors, 17
- dimensions
 - controller enclosure, 154
 - drive enclosure, 159
 - rack, 144
- disk drive (*see* drive sled)
- domestic voltages, 157
- drive active indicator, 91, 92
- drive enclosure
 - adding new enclosures, 117
 - air flow, 77
 - altitude specifications, 165
 - checking status of indicators, 90
 - checking status with software, 88
 - condensation specifications, 165
 - connecting cables, 121
 - cooling, 77, 165
 - dew point specification, 165
 - dimensions, 159
 - enclosure ID switches, 73, 75
 - environmental specifications, 165
 - fault indicators (*see* indicator lights)
 - features, 67

- front bezel, 98
- humidity specifications, 165
- indicator lights, 89-97
- noise level specifications, 165
- number of drives, 67
- overheating, 80
- power requirements, 163, 164
- preparing for move, 98
- pressure (sound) requirements, 165
- relocating, 97
- removing from rack, 98
- specifications, 159
- support rails, 99
- temperature requirements, 165
- turning on after emergency shutdown, 84, 86
- turning on after overtemp shutdown, 84, 86
- turning on after power failure, 84, 86
- turning power off, 87, 88
- turning power on, 83
- upgrading, 114
- voltages, 163
- weights, 161
- wiring, 164

- drive interface connectors, 22
- drive loop cables
 - connecting, 121
 - connecting to controller enclosure, 125
- drive sled, 68, 70, 76
 - adding larger drives, 115
 - empty slots, 114
 - indicator lights, 68, 70
 - number in drive enclosure, 67
 - numbering, 76
 - partial insertion, problem, 103
 - removing/replacing, 101
 - turning on before controllers, 31
 - upgrading, 114
- drives (*see* drive sled)

E

- electrical
 - controller enclosure
 - circuit breakers, 156
 - earth ground, 156
 - overload protection, 156
 - requirements, 156
 - single-phase wiring, 157, 164
 - voltage interruptions, 156
 - drive enclosure
 - earth ground, 163
 - requirements, 163
 - frequency specifications, 156, 164
 - power cords (*see* power)
- emergency shutdown, 31, 84
- enclosure ID switches, 73, 75
 - setting for new canister, 111
- environmental requirements, 157
- environmental services board, 80
 - See also environmental status module.
- environmental status module, 69, 71, 80
 - fault indicator, 94, 96
 - indicator lights, 69, 71
 - power indicator, 94, 96
 - removing/replacing, 111
- ESM (*see* environmental status module)
- Ethernet connector, 17

F

- failure, 40
- failures
 - controller enclosure indicator lights and, 33-40
 - drive enclosure indicator lights and, 89-97
 - See also recovery procedures.
- fan (*see* fan canister)

fan canister
 controller enclosure, 12
 air flow, 13, 158
 fault indicator, 36, 39
 removing/replacing, 12
 drive enclosure, 69, 71, 77
 air flow, 77
 fault indicator, 95, 97
 removing/replacing, 104
fan/communications canister, 15
 hot swapping, 16, 58
 indicator light, 39
 installing/replacing, 57
 time limit for replacing, 16
fast write cache
 checking before shutdown, 32
 indicator light, 36
fault indicator lights (*see* indicator lights)
Fibre Channel
 cables, 81, 110, 129-138
 drive enclosure
 connections, 81
 installing/replacing, 109
firmware, auto synchronize, 9
frequency (*see* electrical, frequency specifications)
front bezel, drive enclosure
 removing/replacing, 98
front cover, controller enclosure
 removing/replacing, 25
full charge indicator light, battery, 36

G

global fault indicator, 68, 70, 91, 93

H

heat dissipation (*see* cooling)
host connections, 8
host interface connections, 8, 129-138
host interface connectors, 21
hot swapping
 battery canister, 11
 communications/fan canister, 16
 controller canister, 8
 controller fan canister, 15
 minihub canisters, 19
 power supply canister, 19, 80
humidity specifications, 158, 165

I

ID conflict indicator, 95, 97
ID switches (*see* enclosure ID switches)
indicator lights
 controller enclosure, 33
 drive enclosure
 front view, 91, 92
 rear view, 94, 96
installation date of battery canister, 40
internal AC distribution, 164
international voltages, 157, 163

L

LEDs (*see* indicator lights)
lights (*see* indicator lights)
loop good indicator light, 39, 40

M

manufacture date, battery canister, 40
 manufacturer's name plate, 164
 memory, battery backup, 11, 52
 minihub canister, 19, 66
 hot swapping, 19
 indicator lights, 19
 removing/replacing, 64

N

noise level, 158, 165
 numbering, drive sleds, 76

O

operating environment, 157, 165
 overheating
 caused by obstructed air flow, 13, 77
 of power supply, 18, 80
 prevention with fans, 12
 overtemp condition, 28, 78, 79, 85
 starting drive enclosure after, 85, 86
 overtemp indicator, 29, 36, 85

P

PDUs. (See power distribution units)
 power, 84
 battery, 52
 controller enclosure
 automatic shutdown, 19
 battery, 11
 interruptions, 156
 loss and recovery, 18, 19, 157
 overload protection, 156

 redundancy, 18
 turning on after unexpected shutdown, 86
 turning power off, 31
 turning power on, 26, 27
 drive enclosure
 loss and recovery, 80
 redundancy, 80
 requirements, 164
 switches, 73, 75
 turning on after unexpected shutdown, 84, 86
 turning power off, 87, 88
 turning power on, 83
 failures, 86
 powering up the system, 138
 power cord
 controller enclosure
 connector, 18
 redundancy, 18
 drive enclosure, 73, 75
 connector, 73, 75
 redundancy, 80
 power distribution units
 specifications, 149
 power requirements
 controller enclosure, 156
 drive enclosure, 163
 rack, 149
 power supply
 controller enclosure, 18
 connections, 7, 28, 61
 fault indicator, 34
 overheating, 18, 19
 overtemp condition, 28
 power indicator, 40
 shutdown and recovery, 18, 28
 switches, 7, 28, 61
 wide-ranging, 156
 drive enclosure
 auto-ranging, 164
 connections, 72

- fault indicator, 95, 97
- indicator lights, 69, 72
- overheating, 80
- overtemp condition, 79
- power indicator, 95, 97
- shutdown and recovery, 79
- switches, 72, 83, 84
- power supply canister
 - controller enclosure, 18, 20, 62
 - hot swapping, 19
 - redundancy
 - removing/replacing, 60
- drive enclosure, 69, 71, 78
 - hot swapping, 80
 - redundancy, 78
 - removing/replacing, 106
- power switch
 - controller enclosure, 27, 31
 - drive enclosure, 73, 75, 83, 87
- power-up
 - recovery sequence, 156
 - TP9400, 138
- product support, xxi

R

- RAID level
 - drive replacement impact on, 103
 - upgrading impact on, 116
- recovery procedures
 - indicator lights, 33, 89
 - See also, removing/replacing.
- relative humidity (*see* humidity)
- removing/replacing
 - controller enclosure
 - failed battery canister, 51
 - failed controller canister, 45
 - failed controller fan canister, 55

- failed fan/communications canister, 57
- failed minihub canister, 64
- failed power supply canister, 60
- failed SFP transceiver, 62
- front cover, 25
 - removing enclosure from rack, 42
- drive enclosure, 98
 - failed drive sled, 101
 - failed environmental status module, 111
 - failed fan canister, 104
 - failed power supply canister, 106
 - failed SFP transceiver, 109
- Fibre Channel cables, 109
- front bezel, 98
 - removing enclosure from rack, 98
- replacement date, battery canister, 40
- RS-232 connector, 17

S

- service date, battery, 40
- SFP transceiver, 81
 - bypass indicators and, 109
 - controller enclosure
 - hot swapping, 24
 - location, 24
 - removing/replacing, 62
 - drive enclosure, 69, 71
 - hot swapping, 81
 - location, 69, 71
 - removing/replacing, 109
- shipping, 42, 98
 - weights, 155, 161
- shutdown, 32, 84, 85, 86
- slot numbers on controller canisters, 8
- small form-factor pluggable transceiver(*see* SFP transceiver)
- sound specifications, 158, 165

- specifications
 - altitude, 157, 165
 - controller enclosure, 154
 - cooling, 158, 165
 - drive enclosure, 159
 - humidity, 158, 165
 - power cords and receptacles, 150
 - power distribution units, 149
 - sound pressure and power, 158, 165
 - voltages, 163
 - weights, 161
 - storage environment, 157, 165
 - storage management software (TPSSM), 32
 - configuring new drives, 115, 117
 - failure notification, 88
 - monitoring status, 88
 - recovery procedures and, 88
 - support rails, 43, 99
- T**
- technical support, xxi
 - temperature
 - controller enclosure
 - monitoring logic, 12
 - overheating, 15
 - power supply, 19
 - problems with power supply, 18
 - requirements, 157
 - drive enclosure
 - maximum, 78, 85
 - maximum change allowed, 165
 - problems with power supply, 80
 - required for overtemp indicator, 85
 - requirements, 165
 - TPSSM (*see* storage management software)
- transit environment, 157, 165
 - troubleshooting
 - controller enclosure
 - software monitoring, 32
 - drive enclosure
 - failure notification, 88, 90
 - indicator lights (front), 91, 92
 - indicator lights (rear), 94, 96
 - software monitoring, 88
- U**
- upgrading
 - adding drive enclosures, 117
 - adding larger capacity drives, 115
 - RAID level impact on, 116
- V**
- voltage, 157, 163
- W**
- weight
 - controller enclosure, 155
 - drive enclosure, 161
 - rack, 146
 - wiring
 - controller enclosure, 156
 - earth ground, 156
 - single-phase, 157, 164
 - drive enclosure, 164
 - earth ground, 163
 - rack, 148

